

US00D545852S

(12) **United States Design Patent**
Hawley et al.

(10) **Patent No.:** **US D545,852 S**

(45) **Date of Patent:** **** Jul. 3, 2007**

(54) **PLASMA GUN WITH ANGLED FEED COUPLINGS**

(76) Inventors: **Dave Hawley**, 1101 Prospect Ave., Westbury, NY (US) 11590; **Richard McCullough**, 1101 Prospect Ave., Westbury, NY (US) 11590

(**) Term: **14 Years**

(21) Appl. No.: **29/265,817**

(22) Filed: **Sep. 8, 2006**

Related U.S. Application Data

(63) Continuation of application No. 11/392,650, filed on Mar. 30, 2006.

(51) **LOC (8) Cl.** **15-09**

(52) **U.S. Cl.** **D15/144**

(58) **Field of Classification Search** D15/144-144.2; 219/76, 121.47, 121.48, 121.51

See application file for complete search history.

(56) **References Cited**

U.S. PATENT DOCUMENTS

4,661,682 A * 4/1987 Gruner et al. 219/121.47

4,924,059 A *	5/1990	Rotolico et al.	219/121.48
5,412,173 A *	5/1995	Muehlberger	219/121.47
5,637,242 A *	6/1997	Muehlberger	219/121.47
5,744,777 A *	4/1998	Bernecki et al.	219/121.47
6,897,402 B2 *	5/2005	Crawmer	219/121.47
2006/0289404 A1 *	12/2006	Hawley et al.	219/121.47

* cited by examiner

Primary Examiner—Antoine D. Davis

Assistant Examiner—Patricia Palasik

(74) *Attorney, Agent, or Firm*—Hogan & Hartson LLP

(57) **CLAIM**

The ornamental design for a plasma gun with angled feed couplings, as shown and described.

DESCRIPTION

FIG. 1 is a perspective view thereof;

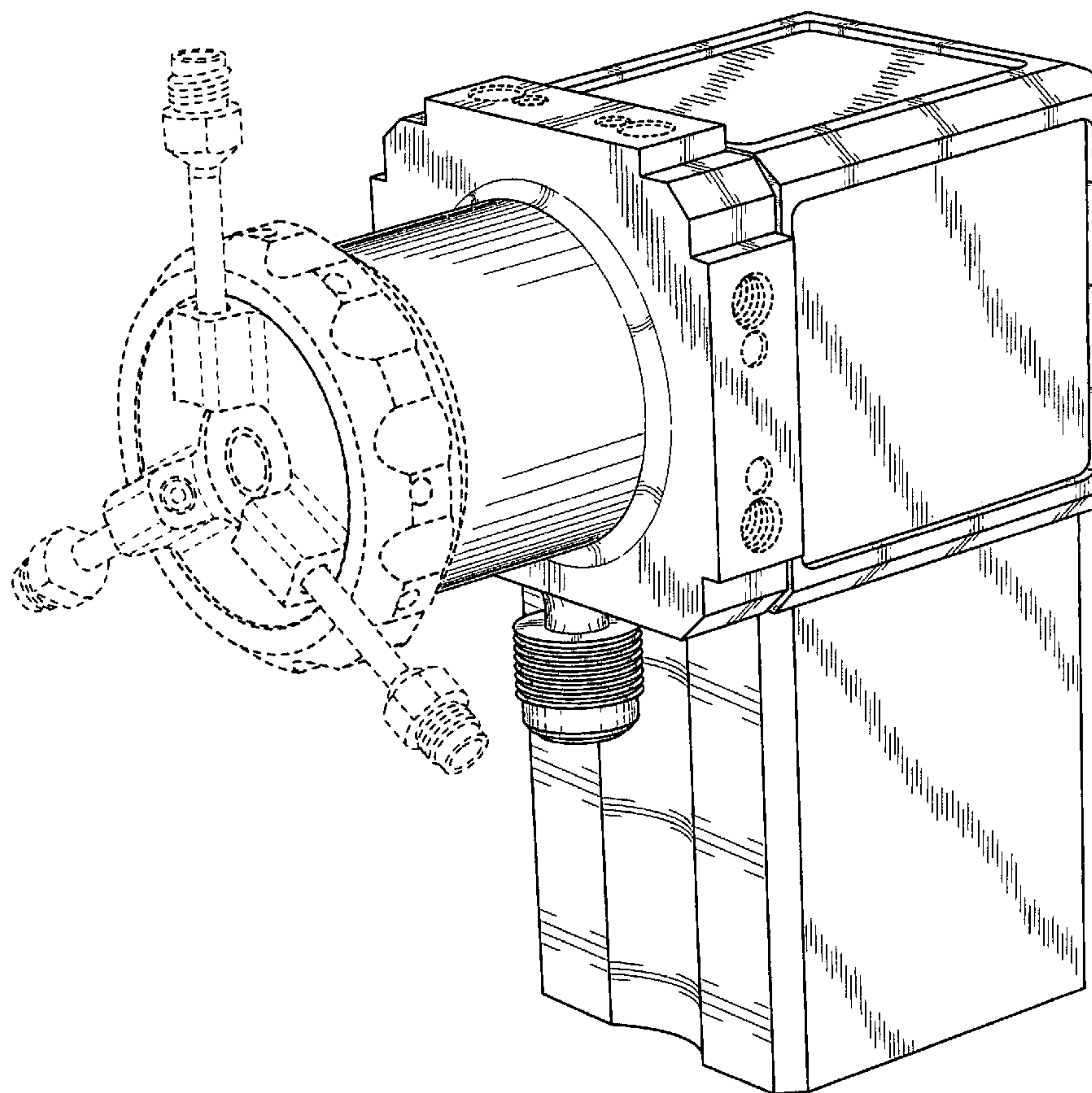
FIG. 2 is a front view thereof;

FIG. 3 is a side view thereof; and,

FIG. 4 is a top view thereof.

Broken lines shown in the figures are for illustrative purposes only and form no part of the claimed design.

1 Claim, 4 Drawing Sheets



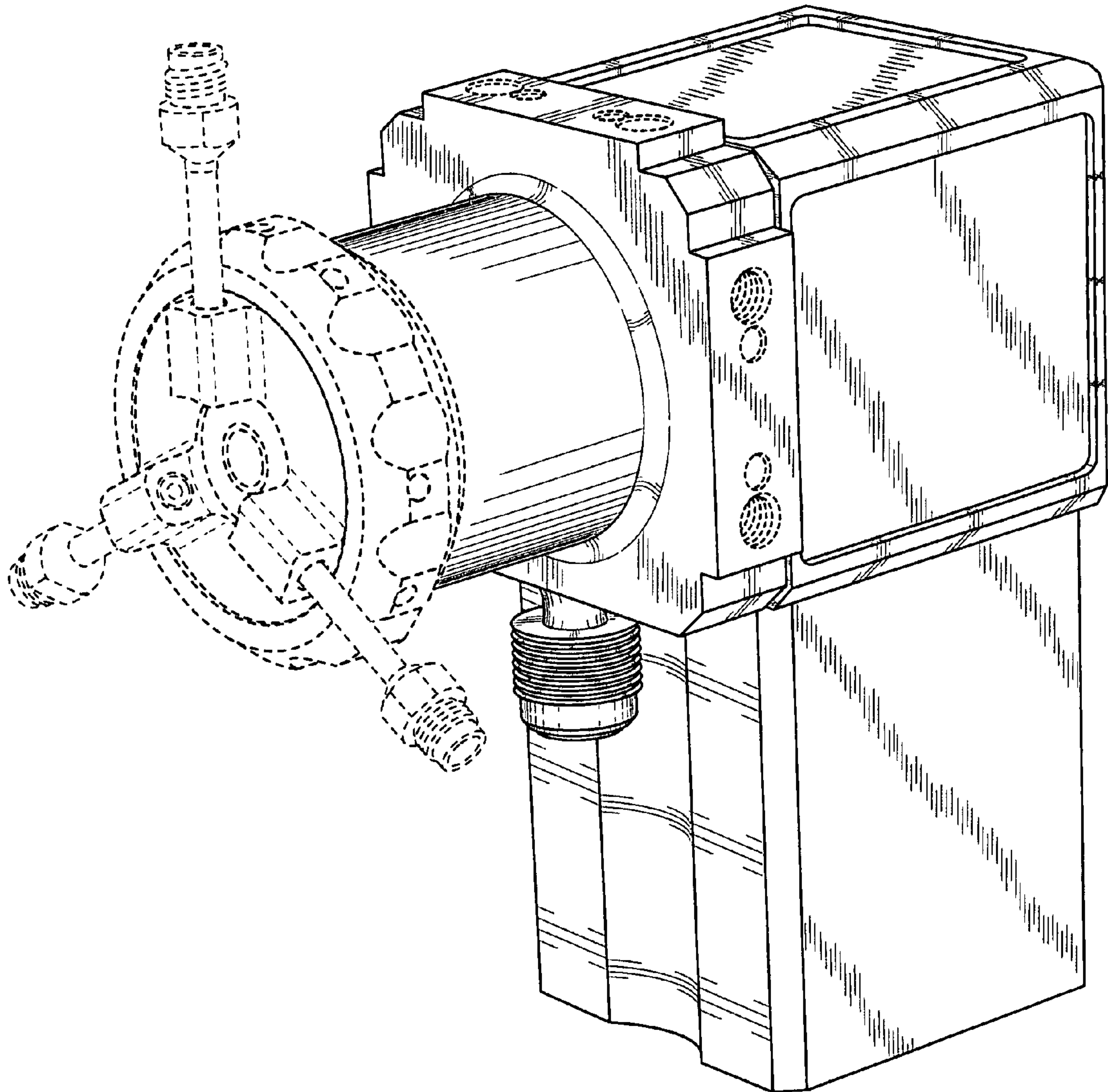


FIG. 1

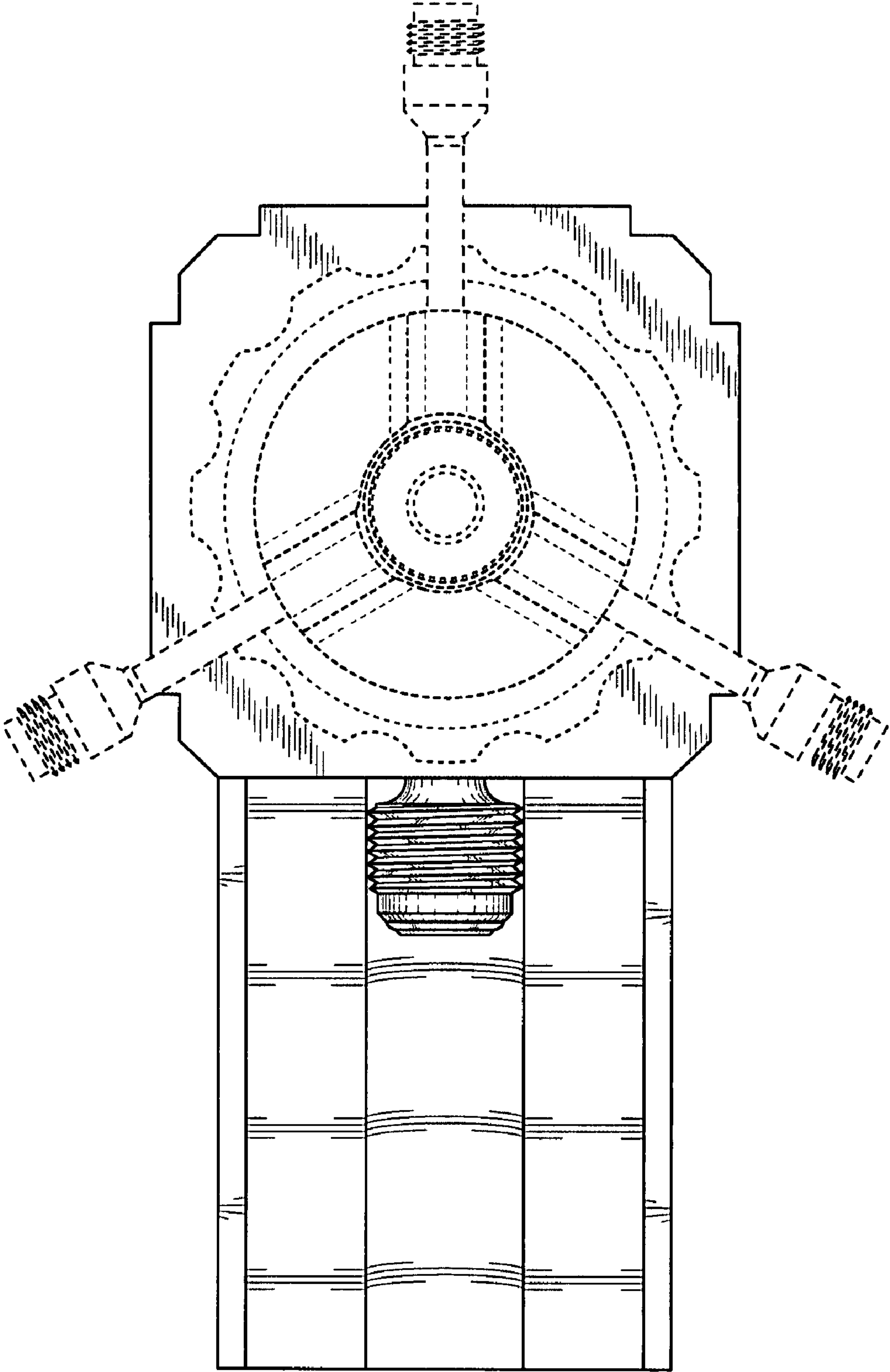


FIG. 2

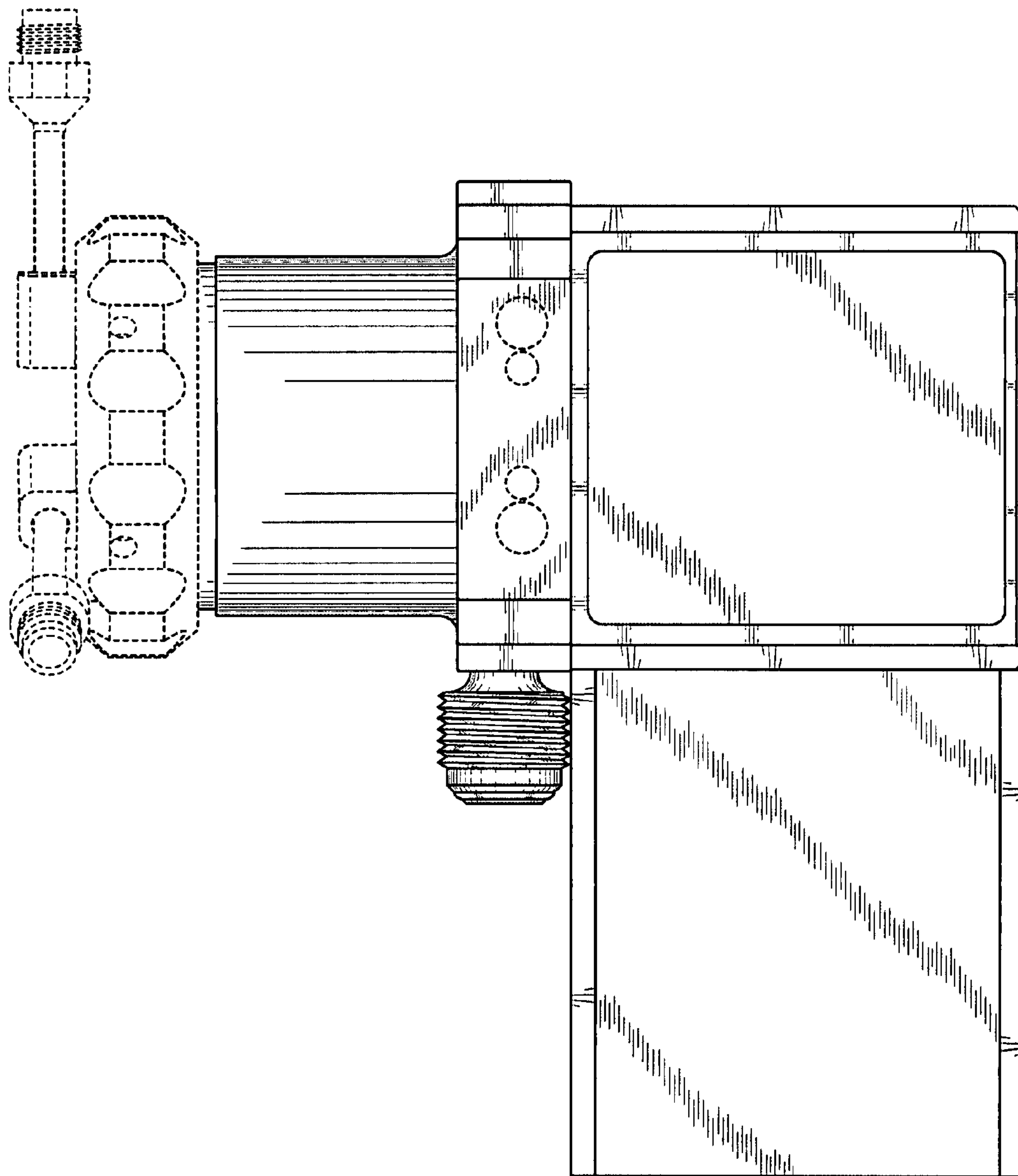


FIG. 3

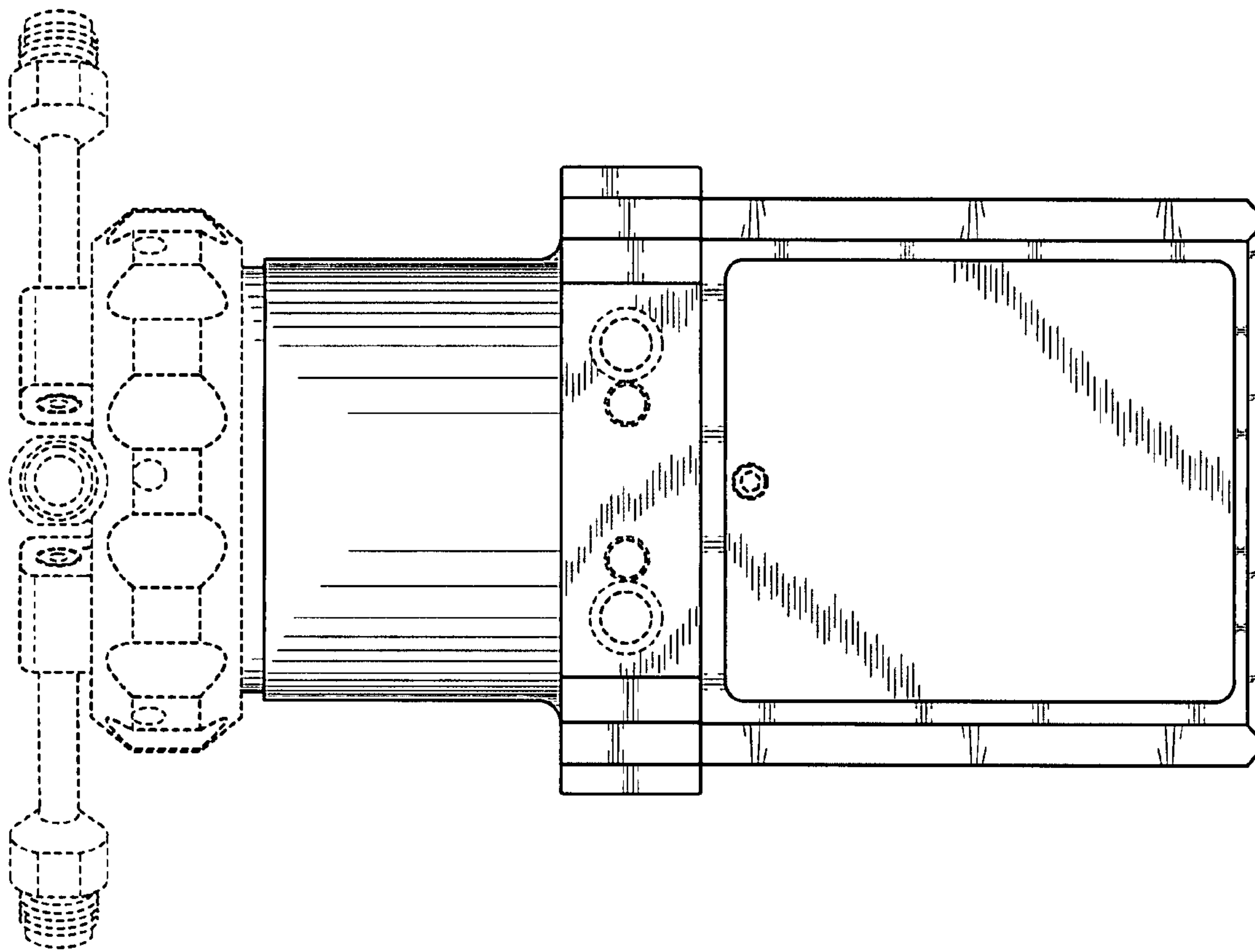


FIG. 4