

US00D545851S

(12) **United States Design Patent**
Hawley et al.

(10) **Patent No.:** **US D545,851 S**

(45) **Date of Patent:** **** Jul. 3, 2007**

(54) **PLASMA GUN NOZZLE HOLDER**

5,744,777 A * 4/1998 Bernecki et al. 219/121.47
2006/0289404 A1* 12/2006 Hawley et al. 219/121.47

(76) Inventors: **Dave Hawley**, 1101 Prospect Ave.,
Westbury, NY (US) 11590; **Richard**
McCullough, 1101 Prospect Ave.,
Westbury, NY (US) 11590

* cited by examiner

Primary Examiner—Antoine D. Davis

Assistant Examiner—Patricia Palasik

(74) *Attorney, Agent, or Firm*—Hogan & Hartson LLP

(**) Term: **14 Years**

(21) Appl. No.: **29/265,799**

(22) Filed: **Sep. 8, 2006**

(57) **CLAIM**

The ornamental design of a plasma gun nozzle holder, as shown and described.

Related U.S. Application Data

(63) Continuation of application No. 11/392,650, filed on
Mar. 30, 2006.

(51) **LOC (8) Cl.** **15-09**

(52) **U.S. Cl.** **D15/144**

(58) **Field of Classification Search** D15/144-144.2;
219/76, 121.47, 121.48, 121.51
See application file for complete search history.

(56) **References Cited**

U.S. PATENT DOCUMENTS

4,661,682 A * 4/1987 Gruner et al. 219/121.47

4,924,059 A * 5/1990 Rotolico et al. 219/121.48

DESCRIPTION

FIG. 1 is a perspective view of thereof;

FIG. 2 is a front view thereof;

FIG. 3 is a side view thereof;

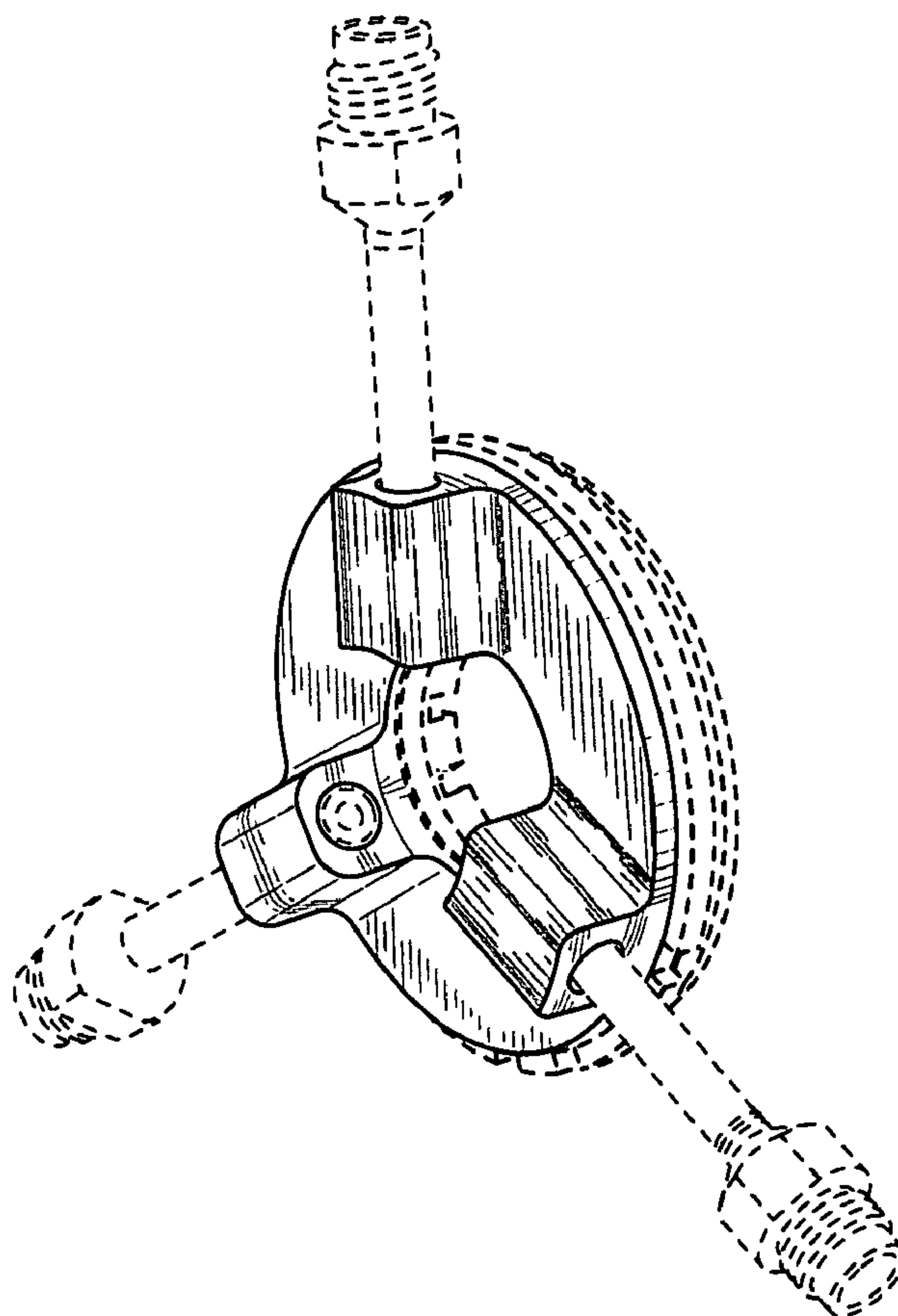
FIG. 4 is a top view thereof;

FIG. 5 is a bottom view thereof; and,

FIG. 6 is a perspective view thereof, showing for illustrative purposes only, the nozzle holder of FIG. 1 mounted on a plasma gun.

Broken lines shown in the figures are for illustrative purposes only and form no part of the claimed design.

1 Claim, 5 Drawing Sheets



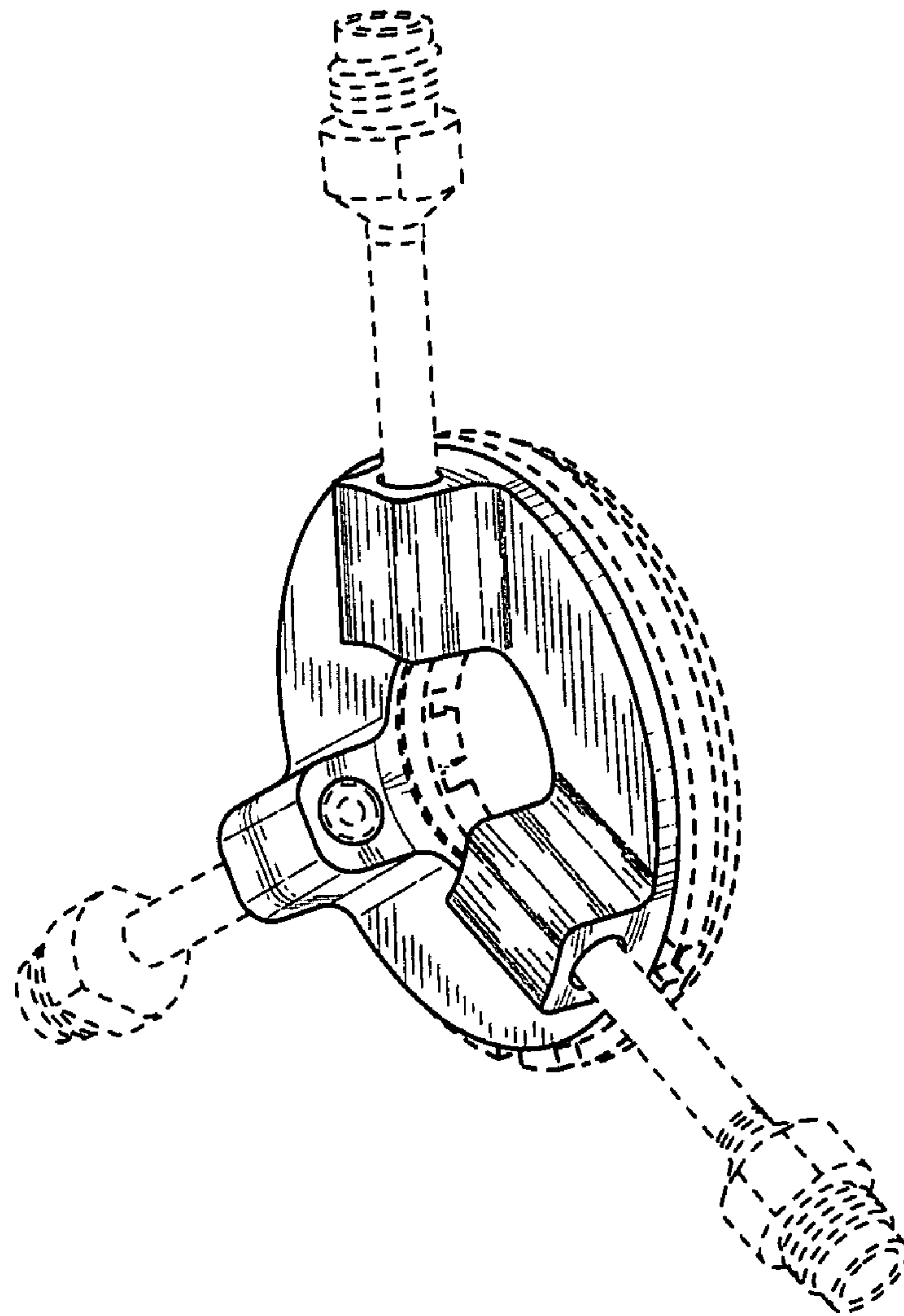


FIG. 1

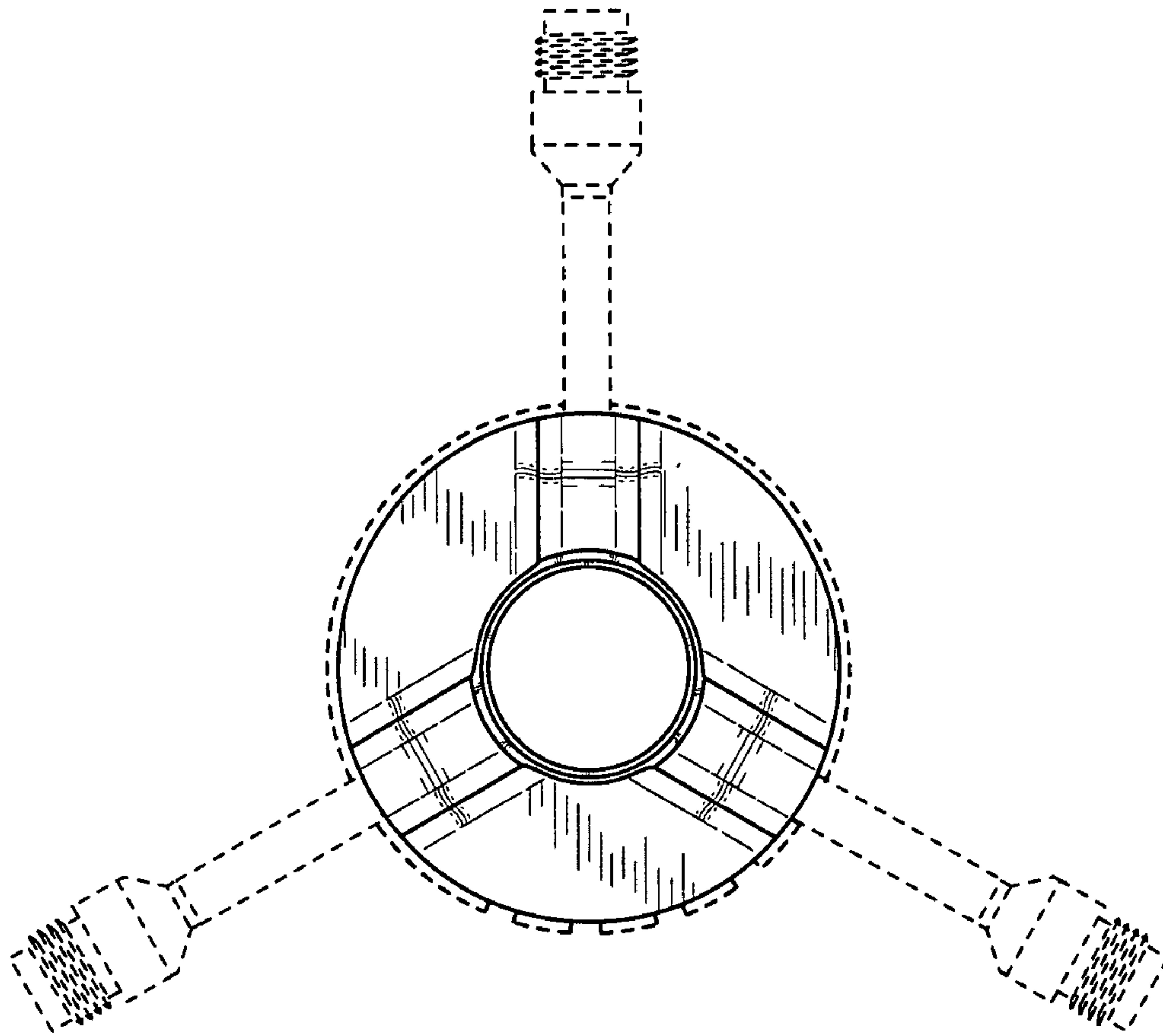


FIG. 2

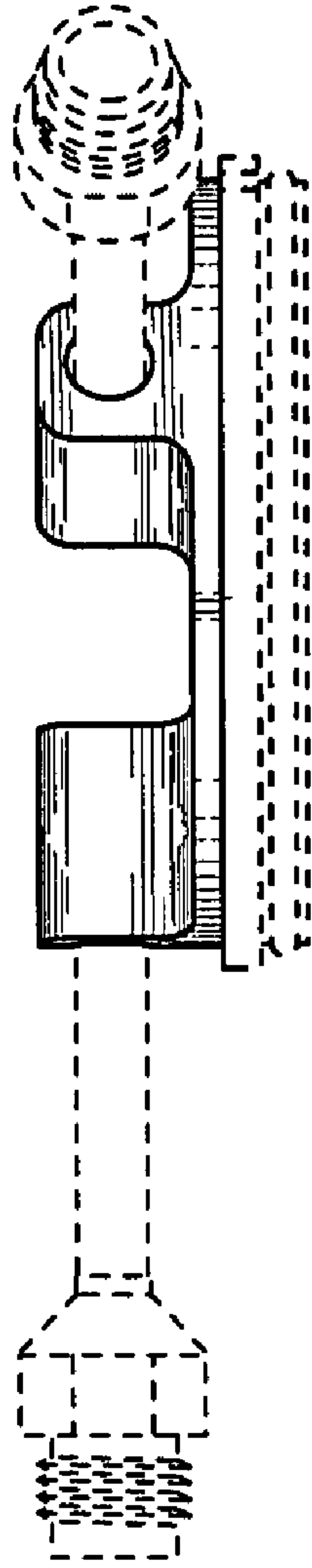


FIG. 3

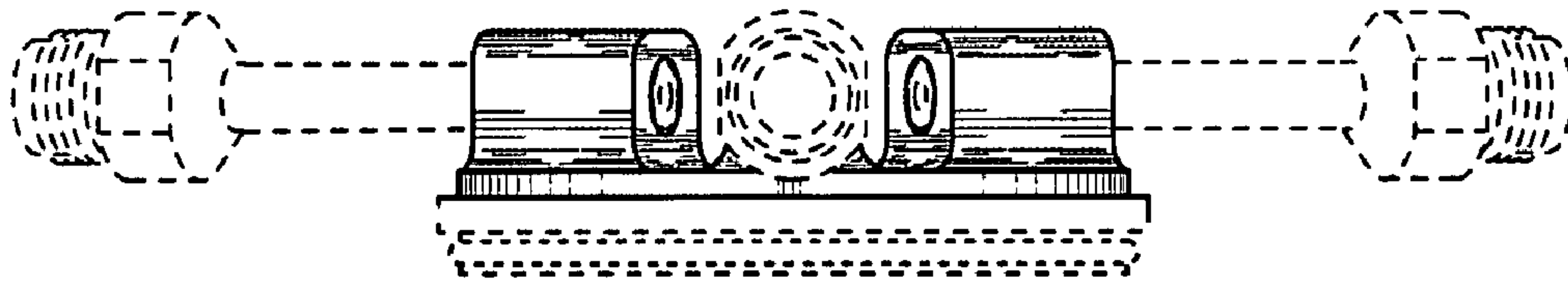


FIG. 4

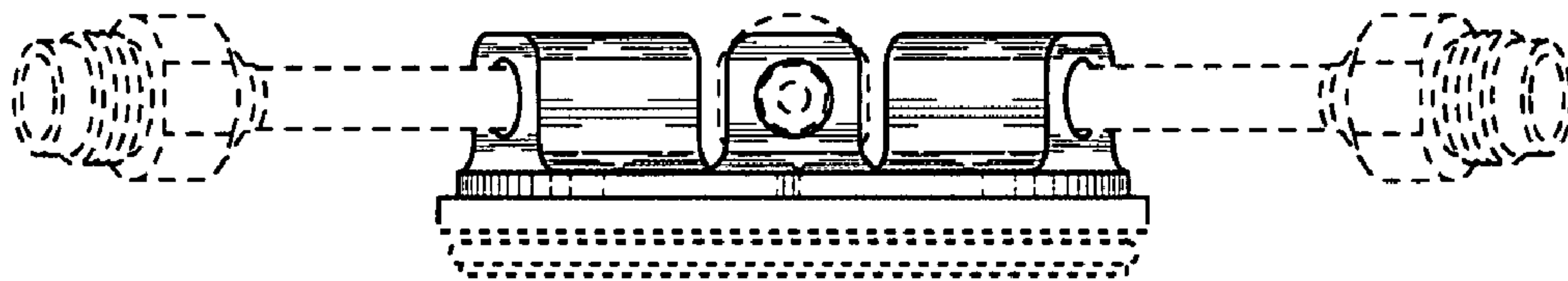


FIG. 5

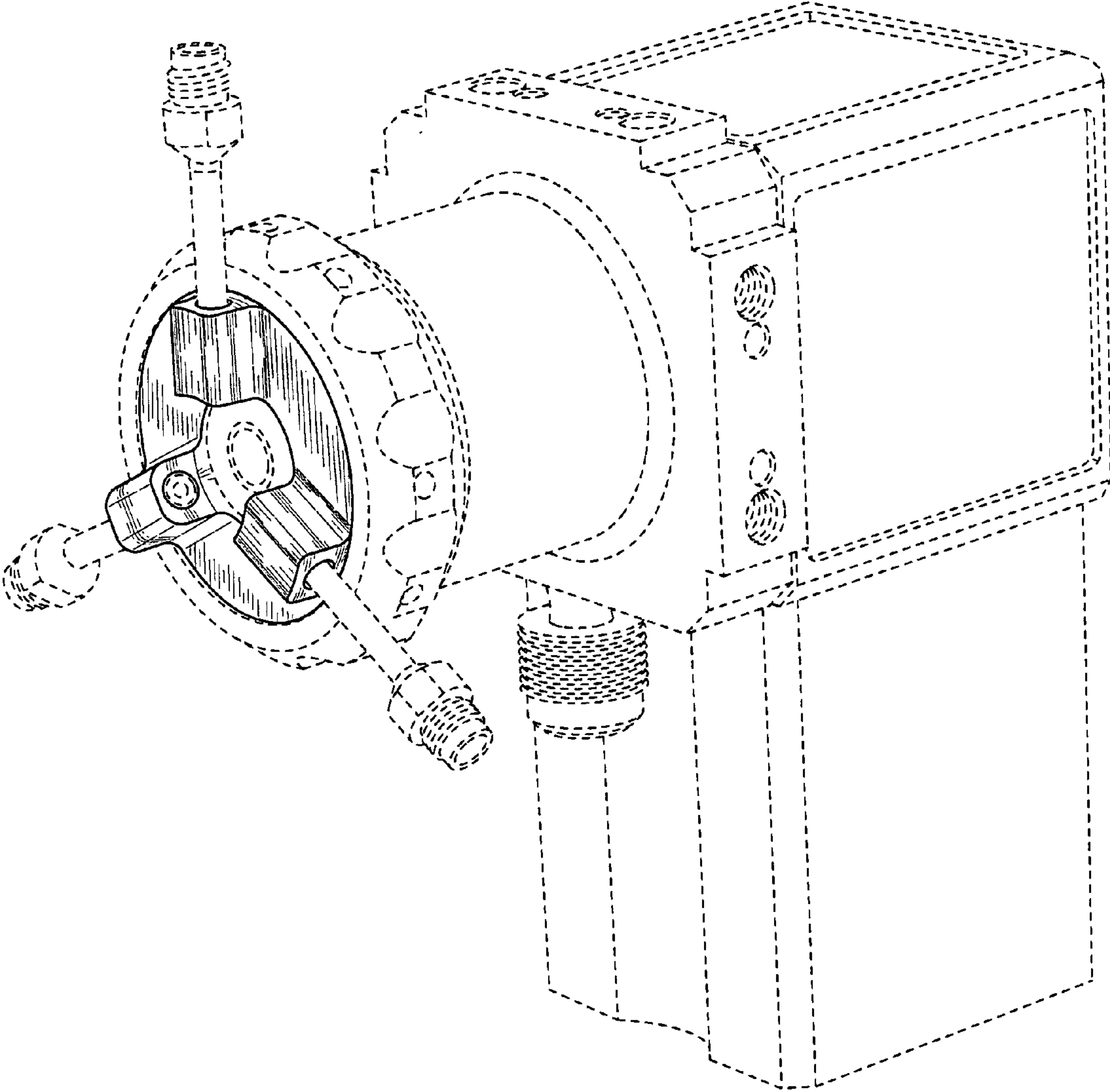


FIG. 6