

US00D545850S

(12) **United States Design Patent**
Gale

(10) **Patent No.:** **US D545,850 S**

(45) **Date of Patent:** **** Jul. 3, 2007**

(54) **MACHINE GRIPPING FINGER**

OTHER PUBLICATIONS

(75) Inventor: **Jay Allen Gale**, 535 Whites Rd.,
Kalamazoo, MI (US) 49008

Poly Angular Grippers.
Gripper Fingers.

(73) Assignee: **Jay Allen Gale**, Kalamazoo, MI (US)

* cited by examiner

(**) Term: **14 Years**

Primary Examiner—Antoine D. Davis
Assistant Examiner—Patricia Palasik

(21) Appl. No.: **29/248,732**

(74) *Attorney, Agent, or Firm*—Warner Norcross & Judd
LLP

(22) Filed: **Aug. 30, 2006**

(57) **CLAIM**

(51) **LOC (8) Cl.** **15-09**

The ornamental design for machine gripping finger, as
shown and described.

(52) **U.S. Cl.** **D15/140**

DESCRIPTION

(58) **Field of Classification Search** D15/122,
D15/138, 140, 199; 294/106, 119.1; 414/749,
414/751, 753
See application file for complete search history.

FIG. 1 is a perspective view of the machine gripping finger
embodying the new design;
FIG. 2 is a top view thereof;
FIG. 3 is a right side view thereof;
FIG. 4 is a left side view thereof;
FIG. 5 is a front view thereof; and,
FIG. 6 is a rear view thereof.

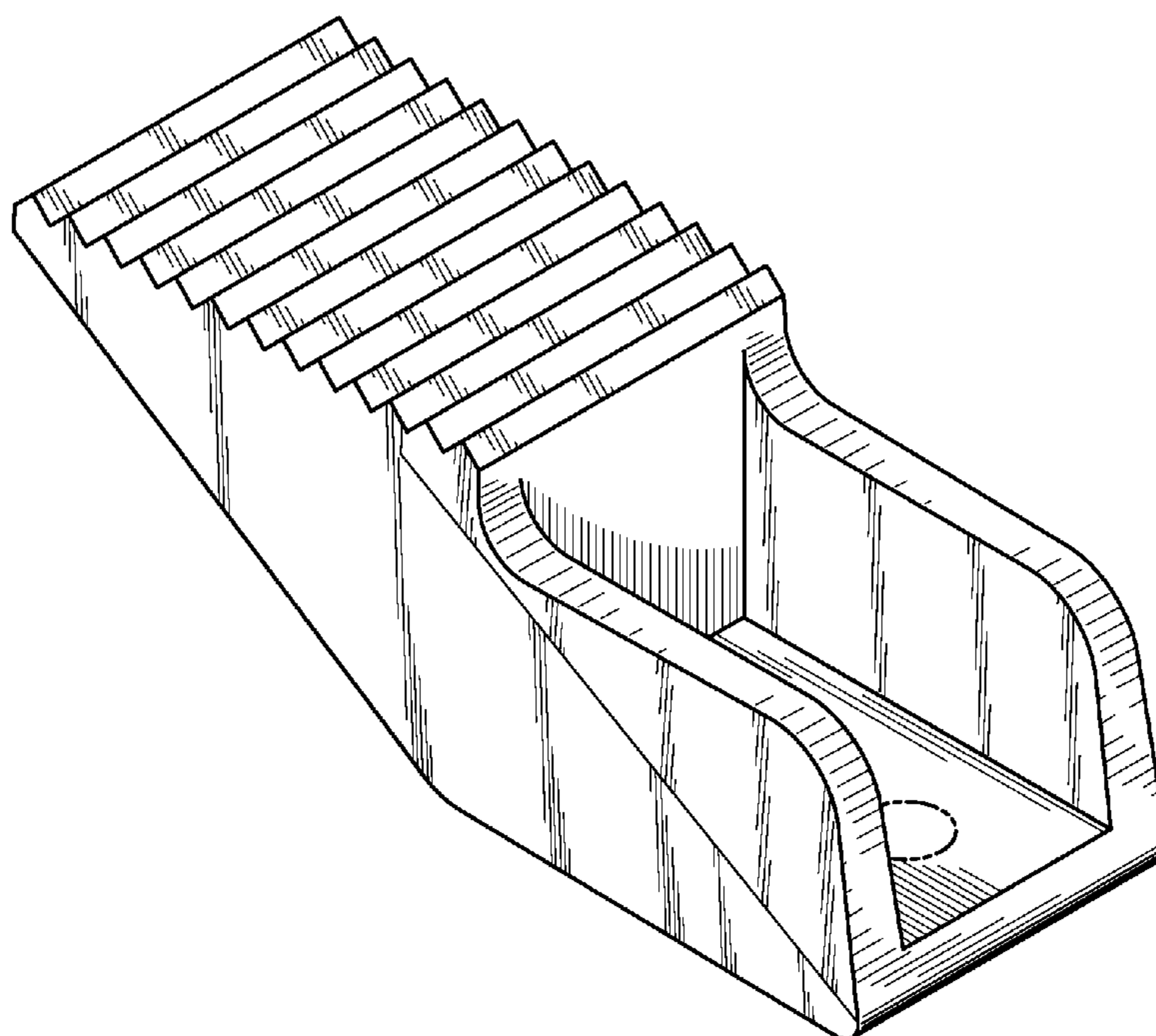
(56) **References Cited**

U.S. PATENT DOCUMENTS

3,202,449	A *	8/1965	Lemelson	294/106
3,273,931	A *	9/1966	Caldwell et al.	294/106
3,620,616	A *	11/1971	Davidson et al.	399/18
4,707,013	A *	11/1987	Vranish et al.	294/119.1
4,955,653	A *	9/1990	Beals	294/119.1
5,226,779	A *	7/1993	Yeakley	414/753.1
5,280,981	A *	1/1994	Schulz	294/106
5,588,688	A *	12/1996	Jacobsen et al.	294/106
D444,157	S *	6/2001	Vant	D15/140
6,777,903	B1 *	8/2004	Ostwald	318/568.21

FIGS. 1-6 show features of a machine gripping finger in
phantom lines. These features are shown for environmental
purposes and do not form any part of the claimed design.
Further, the phantom lines immediately adjacent the solid-
line portions of the design form the boundary of the design,
with the phantom lines forming no part of the claimed
design.

1 Claim, 2 Drawing Sheets



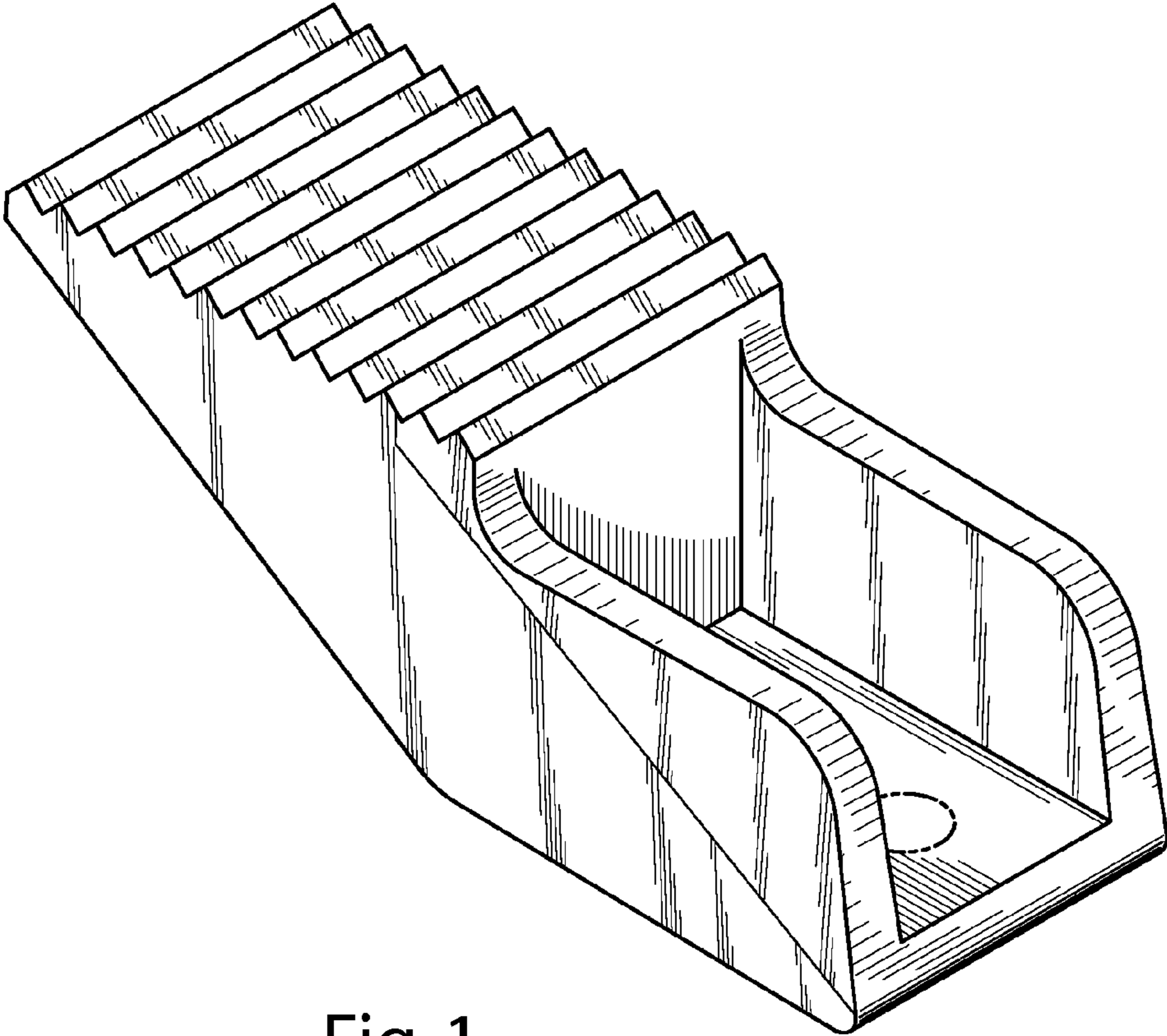


Fig. 1

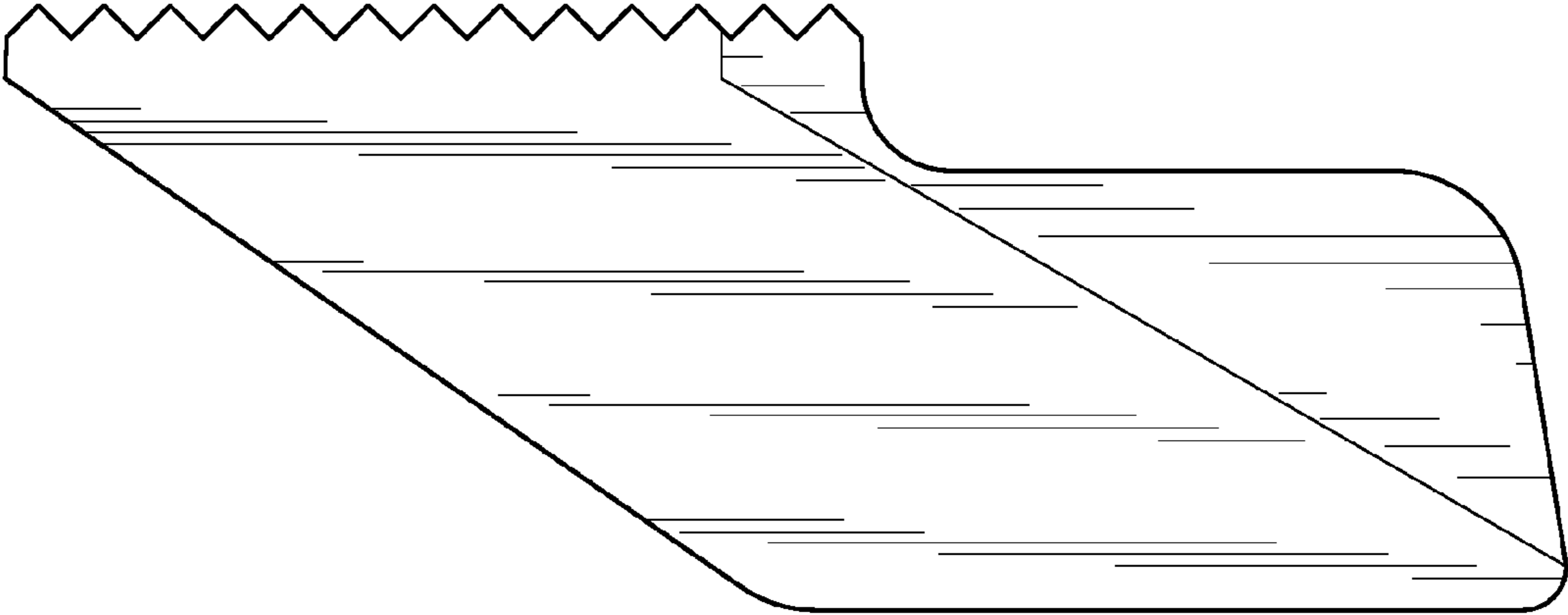


Fig. 2

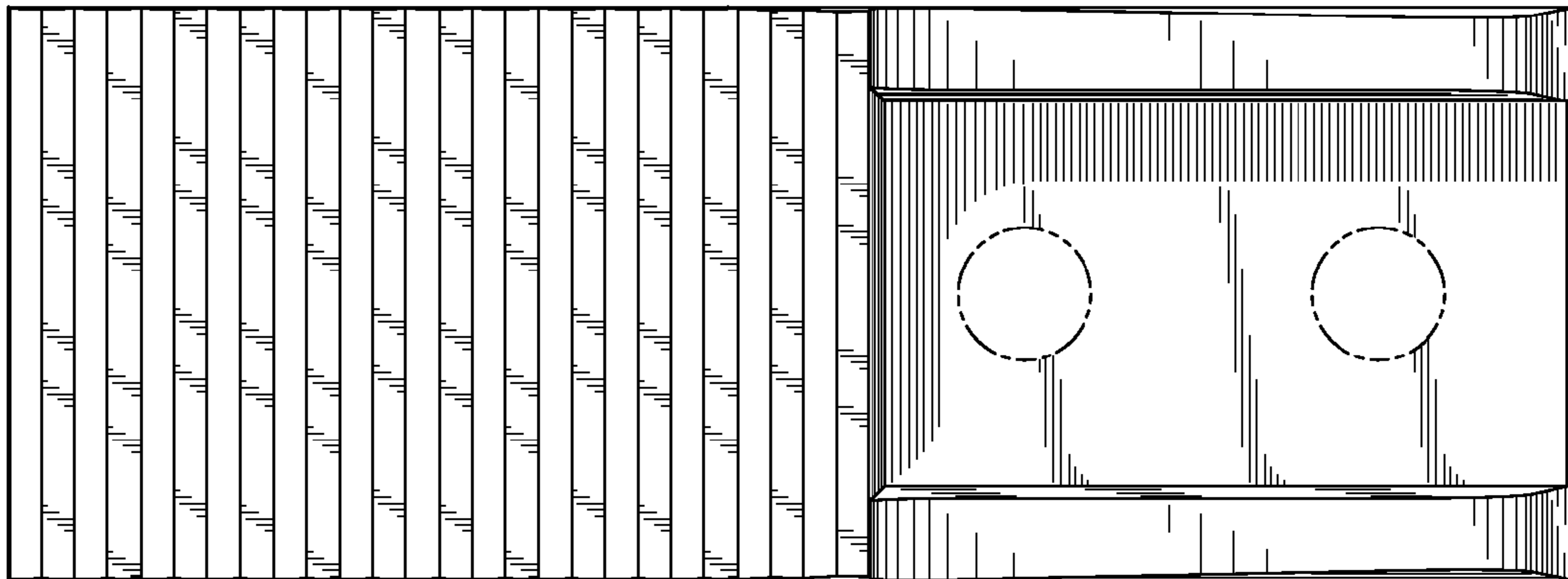


Fig. 3

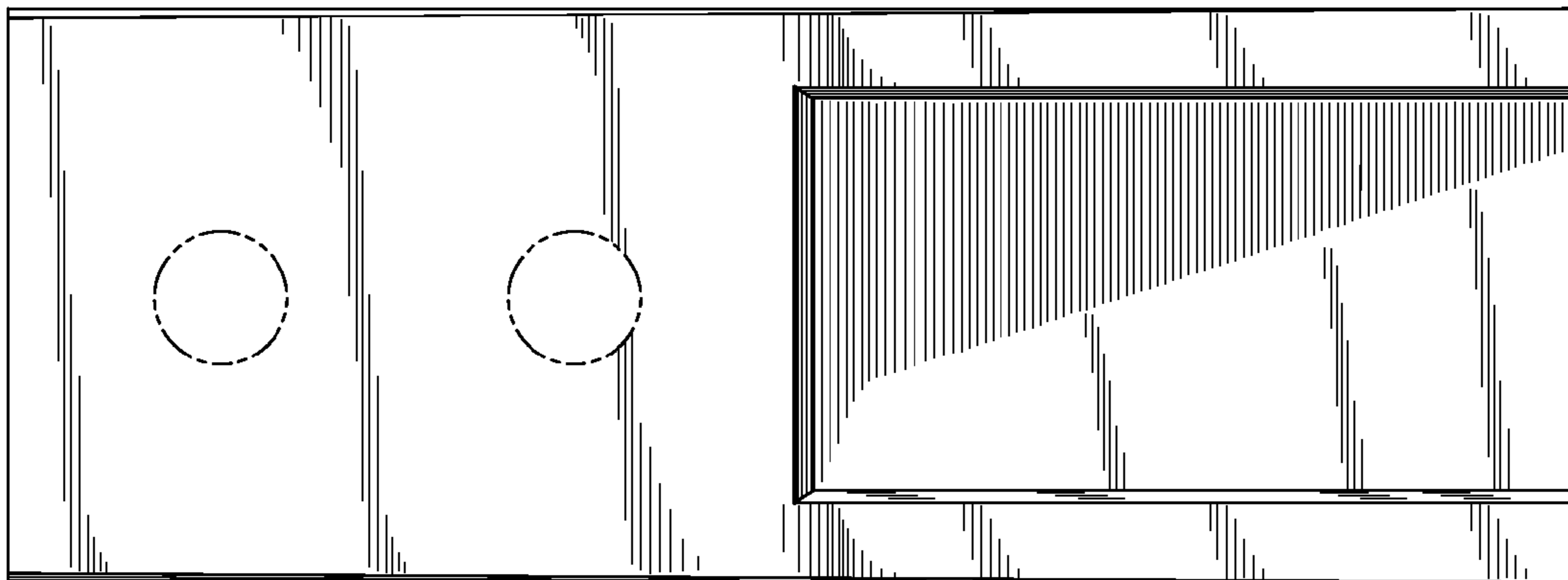


Fig. 4

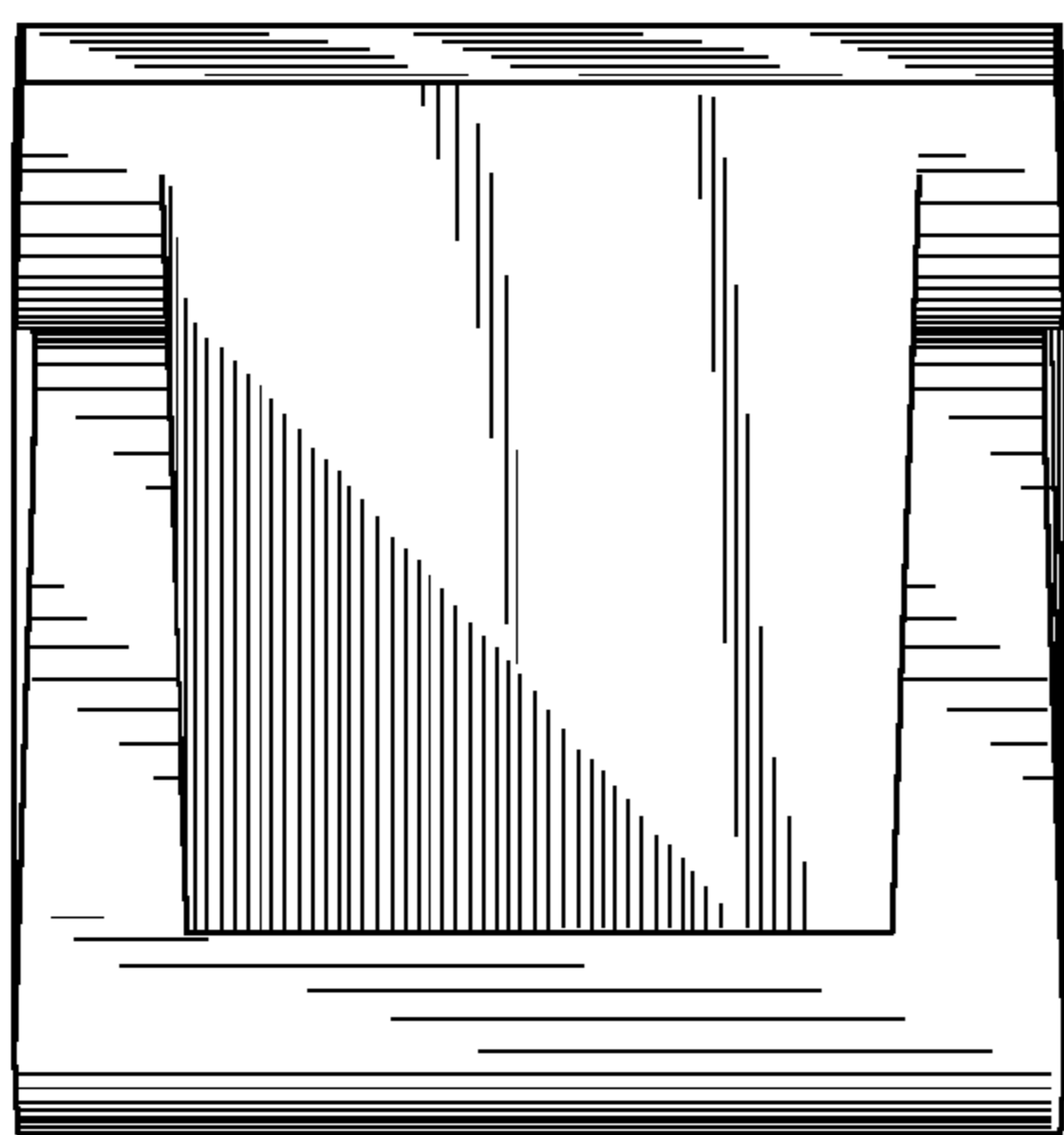


Fig. 5

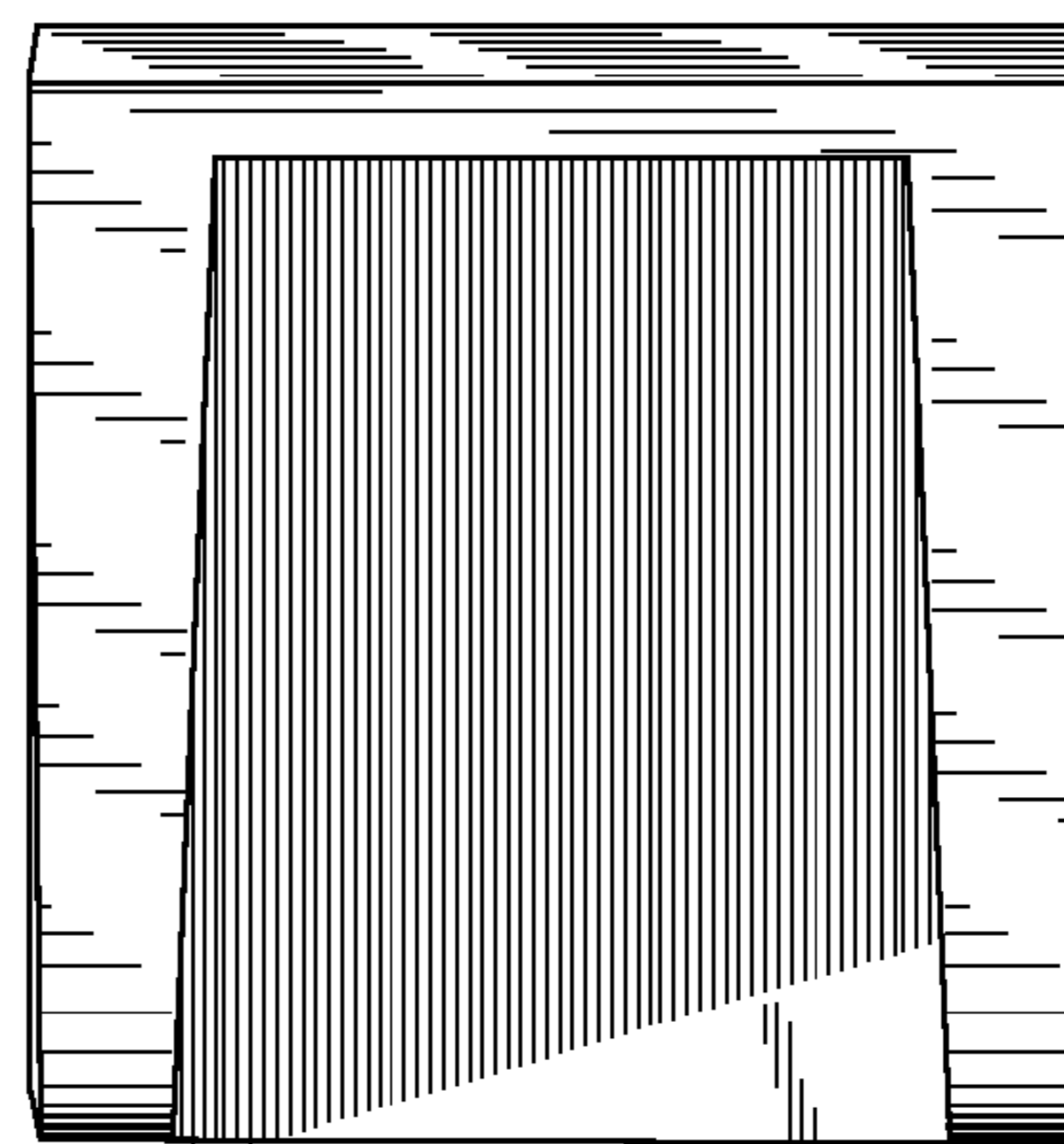


Fig. 6