



US00D545849S

(12) **United States Design Patent**  
**Lucattini**

(10) **Patent No.:** **US D545,849 S**

(45) **Date of Patent:** **\*\* Jul. 3, 2007**

(54) **TILE SAW**

2006/0011191 A1\* 1/2006 Vavricek ..... 125/13.01

(75) Inventor: **Vasco Lucattini**, Siena (IT)

\* cited by examiner

(73) Assignee: **Imer International S.p.A.** (IT)

*Primary Examiner*—Antoine D. Davis

*Assistant Examiner*—Patricia Palasik

(\*\*) Term: **14 Years**

(74) *Attorney, Agent, or Firm*—McGlew and Tuttle PC

(21) Appl. No.: **29/251,313**

(57) **CLAIM**

(22) Filed: **Jan. 5, 2006**

The ornamental design for a tile saw, as shown and described.

(51) **LOC (8) Cl.** ..... **15-09**

(52) **U.S. Cl.** ..... **D15/133**

(58) **Field of Classification Search** ..... D8/20;  
D15/133, 134; 83/169, 432, 435, 450, 468.7,  
83/477, 477.2, 478, 522.1, 522.3; 125/13.01;  
269/166, 180, 318

See application file for complete search history.

**DESCRIPTION**

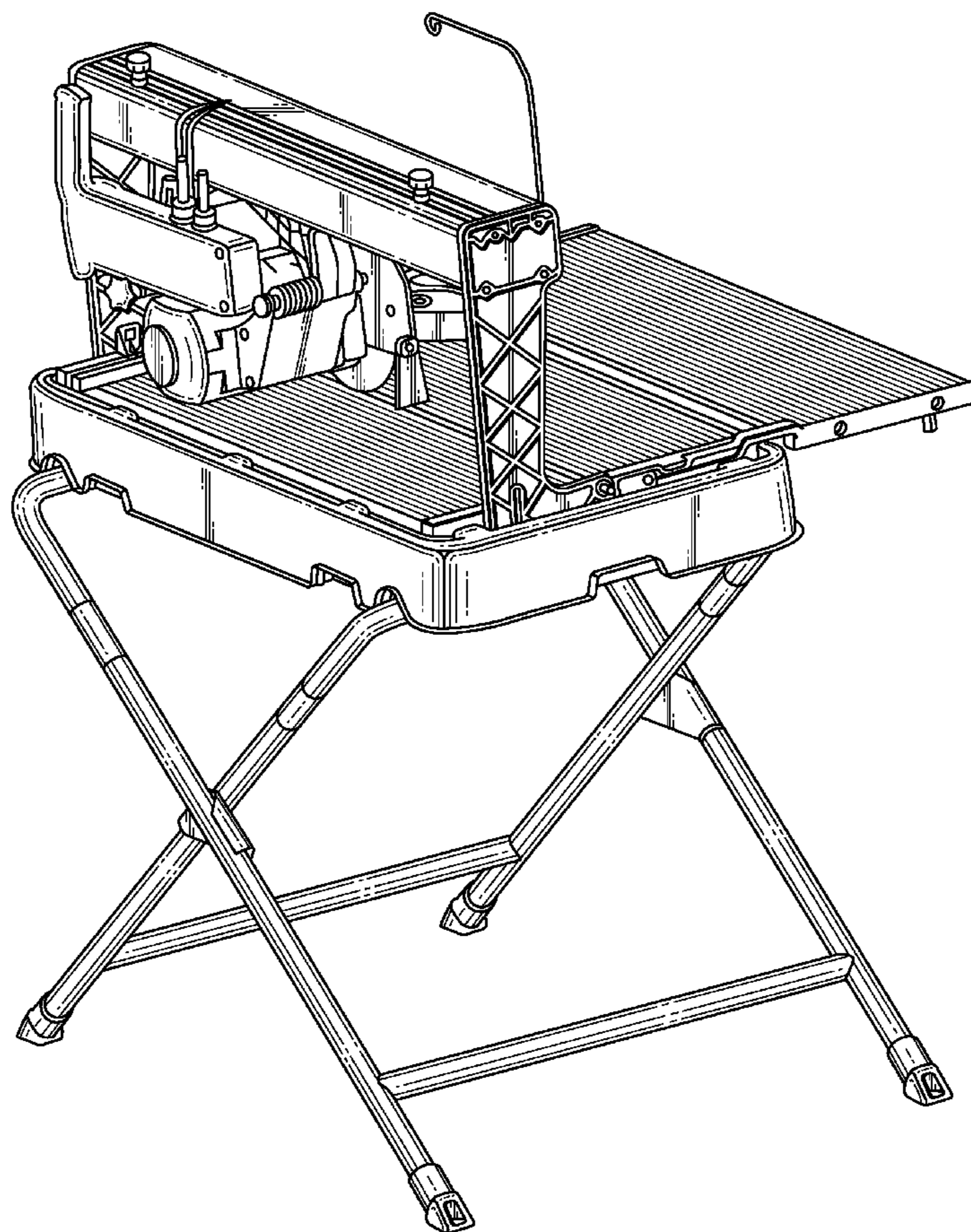
(56) **References Cited**

**U.S. PATENT DOCUMENTS**

5,676,124 A \* 10/1997 Lee ..... 125/13.01  
D418,846 S \* 1/2000 Chen ..... D15/127  
6,637,424 B1 \* 10/2003 Fuhrman et al. .... 125/35  
D485,284 S \* 1/2004 Coli ..... D15/133

FIG. 1 is a right side view of my tile saw design;  
FIG. 2 is a left side view thereof;  
FIG. 3 is a front view thereof;  
FIG. 4 is a rear view thereof;  
FIG. 5 is a top plan view thereof;  
FIG. 6 is a bottom view thereof;  
FIG. 7 is a top right perspective view thereof; and,  
FIG. 8 is a top left perspective view thereof.

**1 Claim, 8 Drawing Sheets**



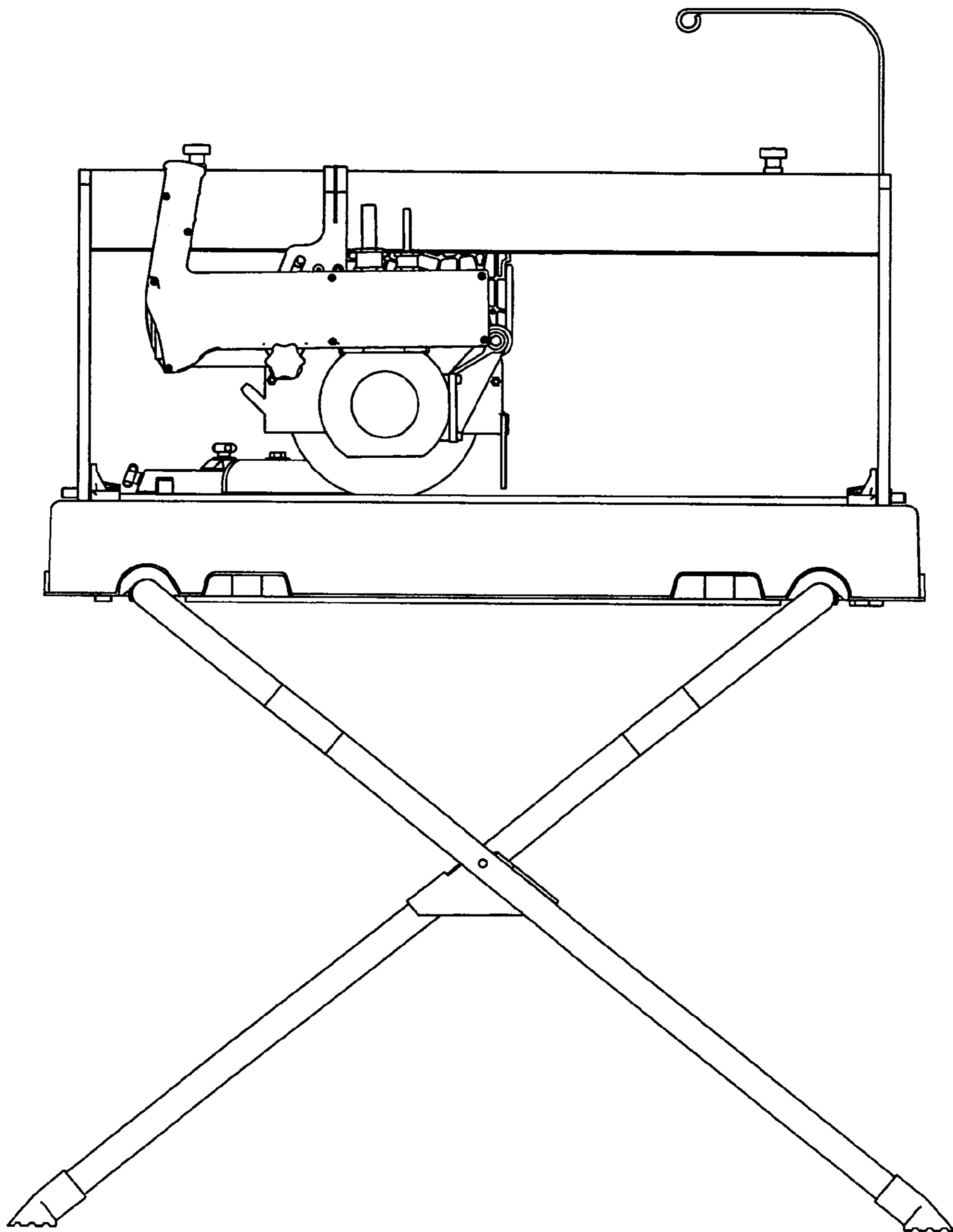


Fig. 1

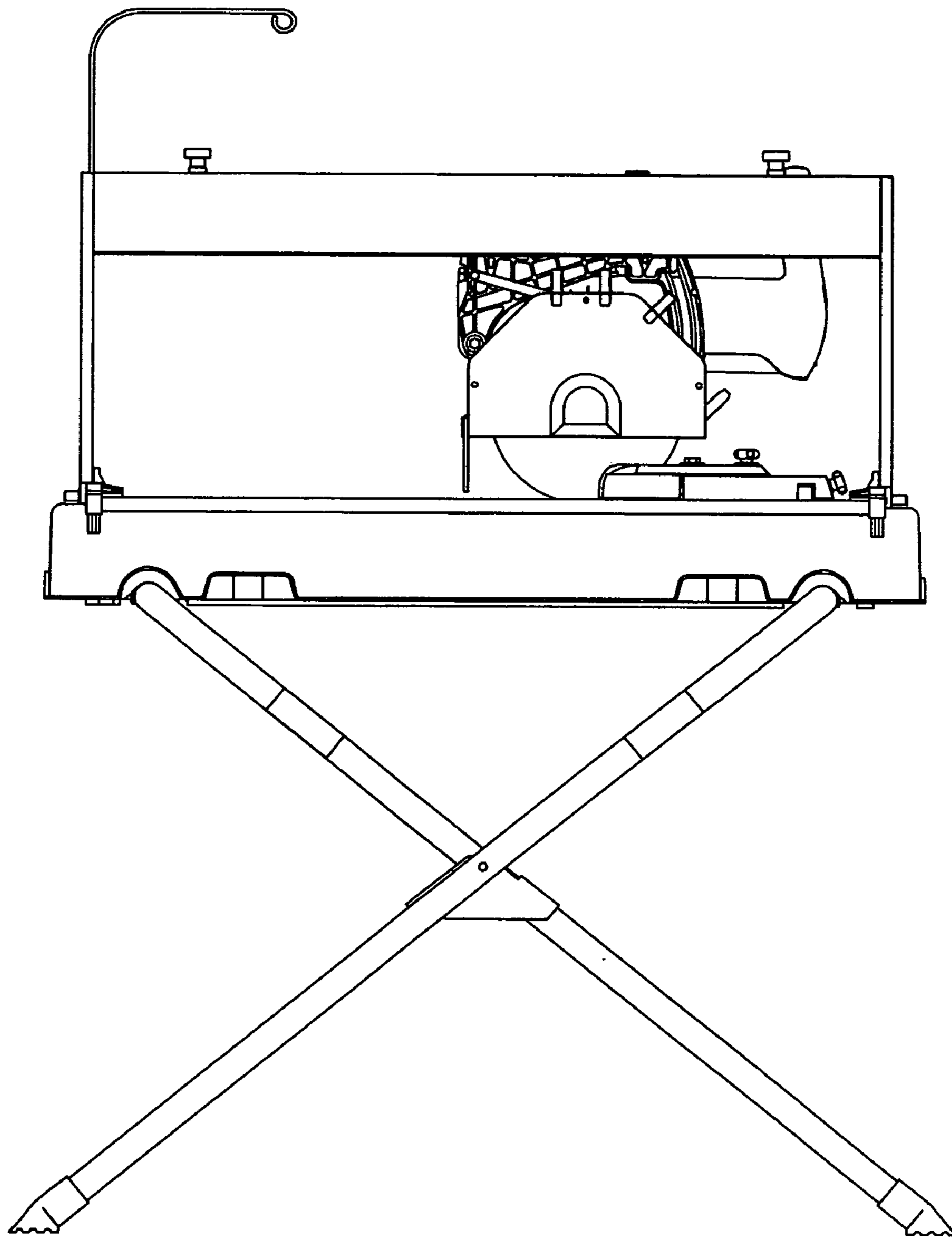


Fig. 2

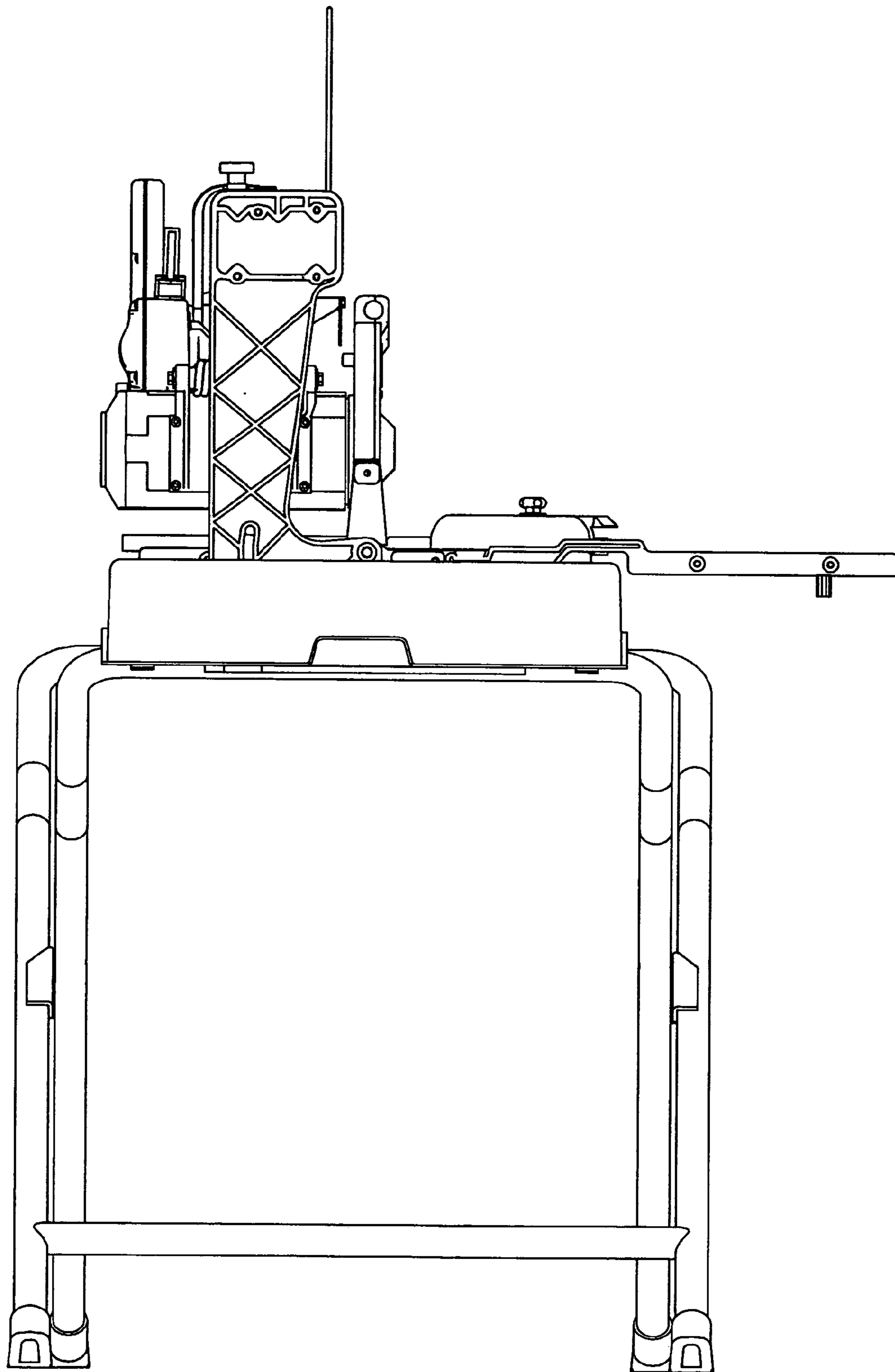


Fig. 3

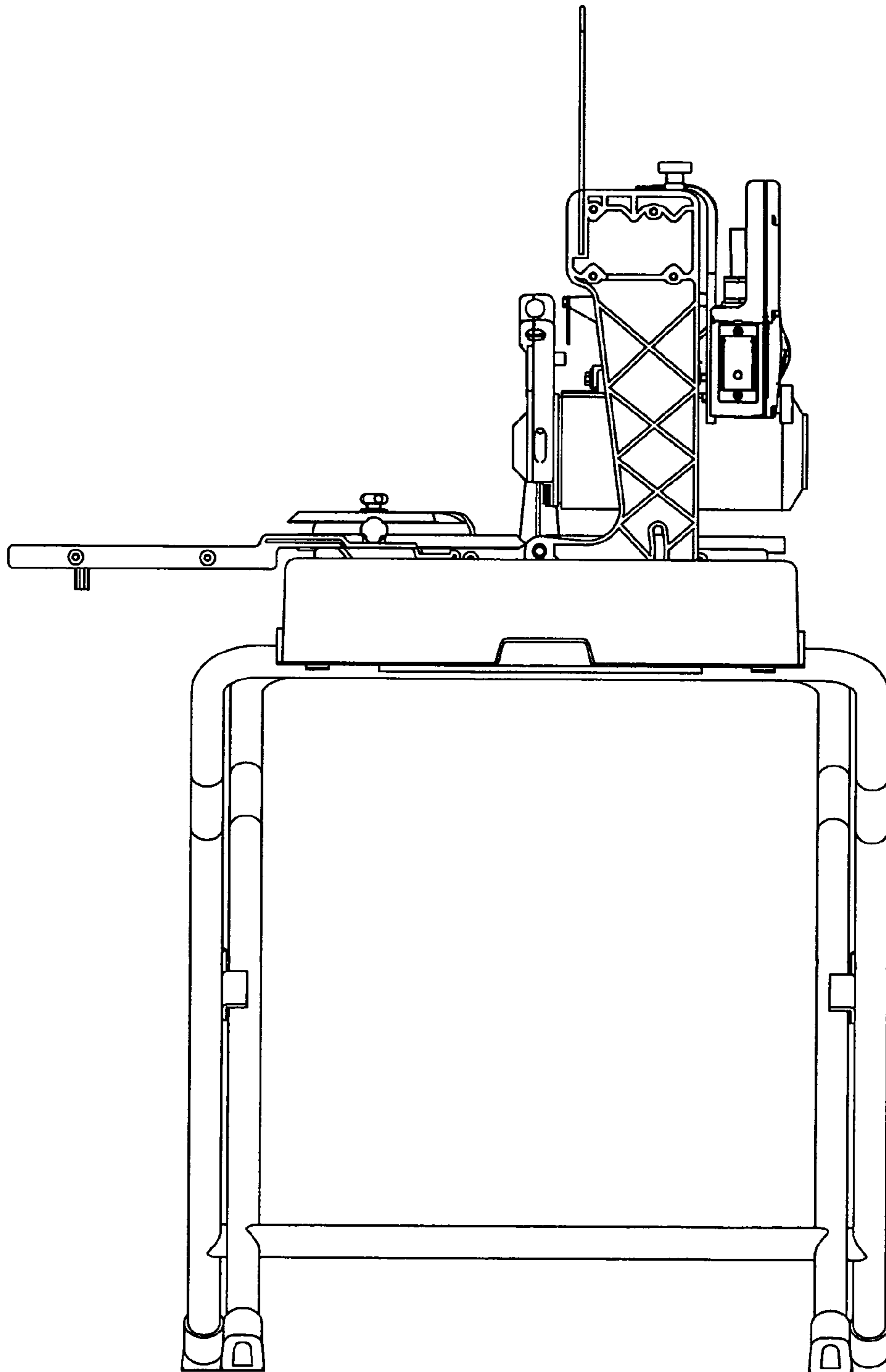


Fig. 4

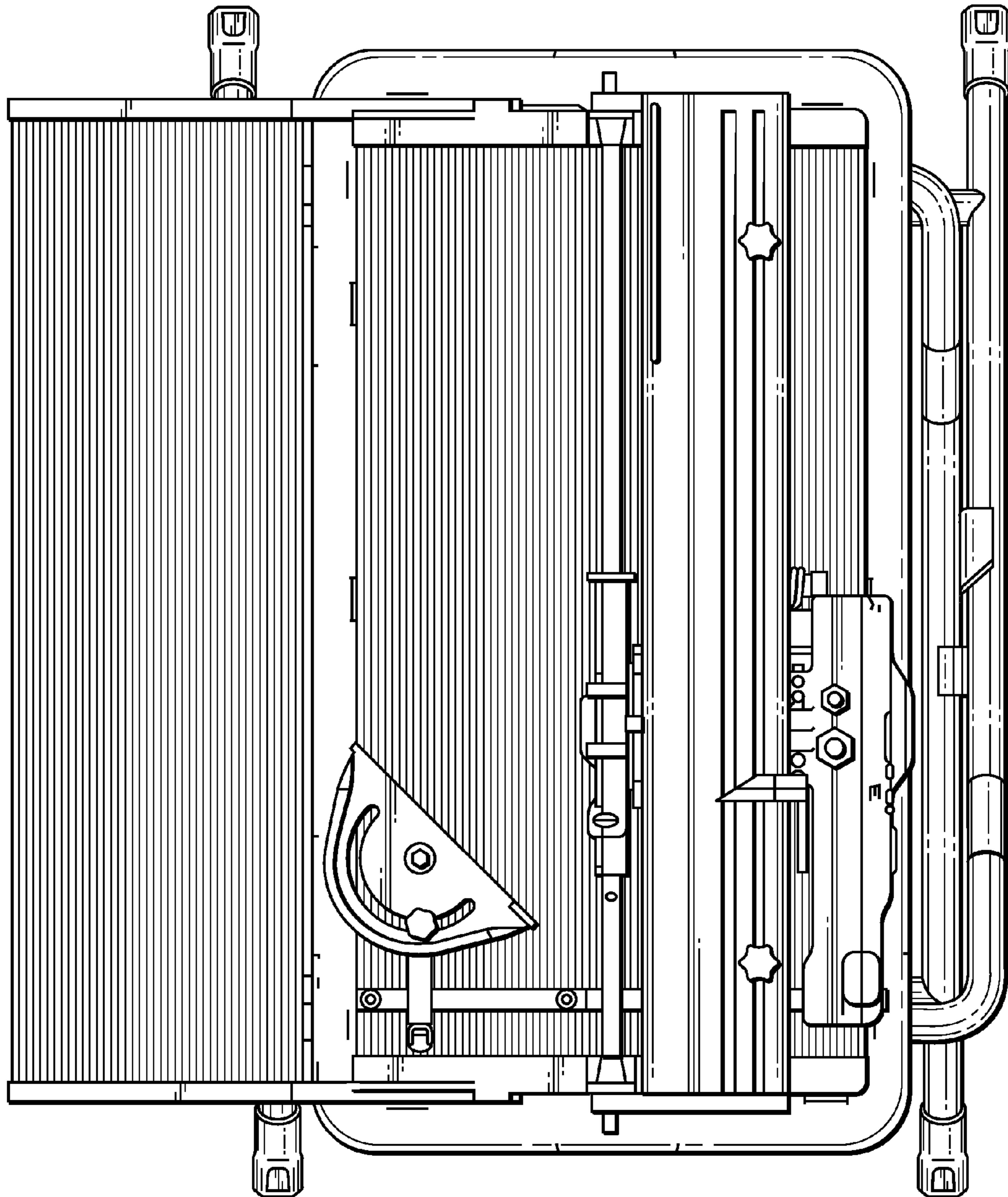


FIG. 5



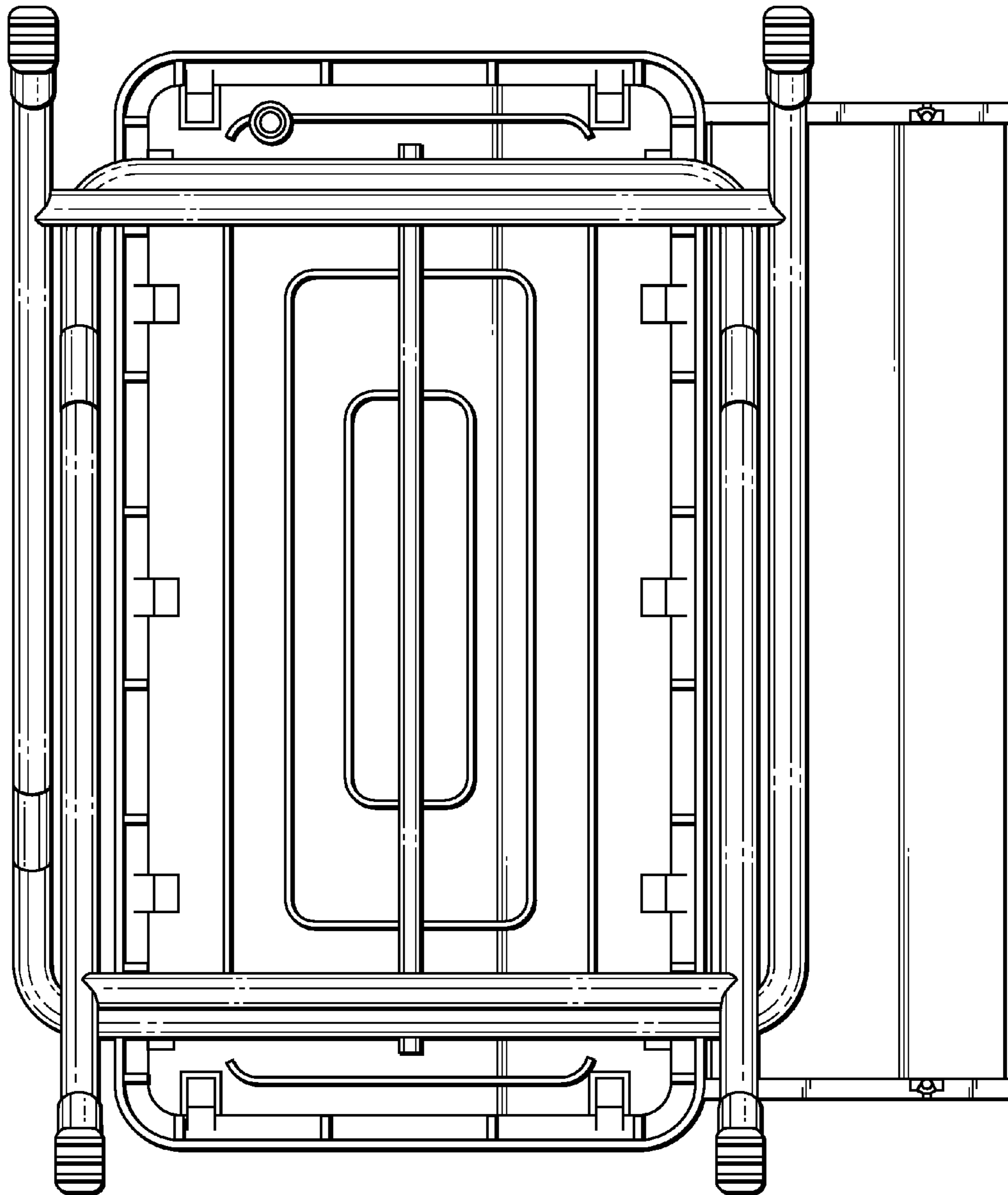


FIG. 6

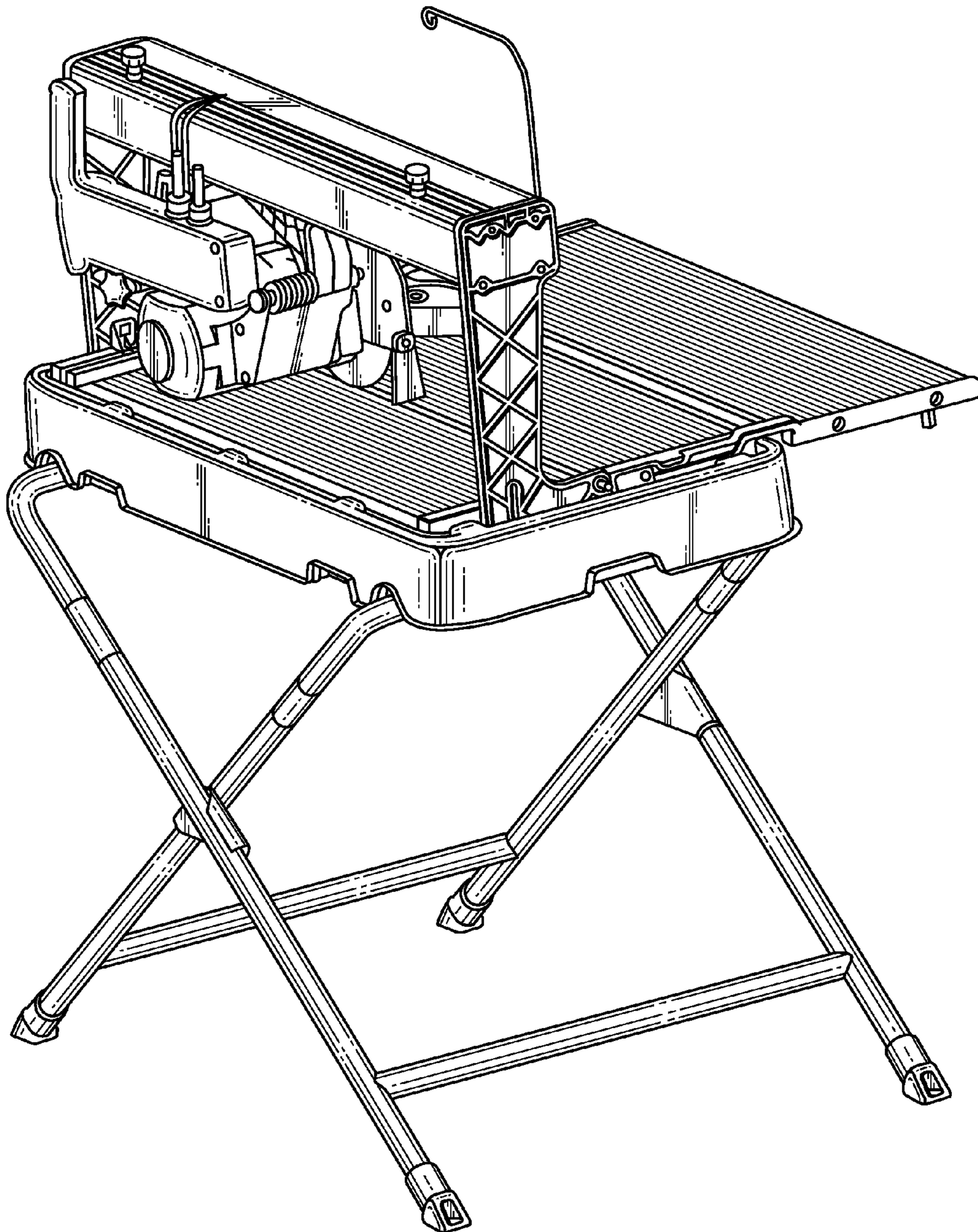


FIG. 7



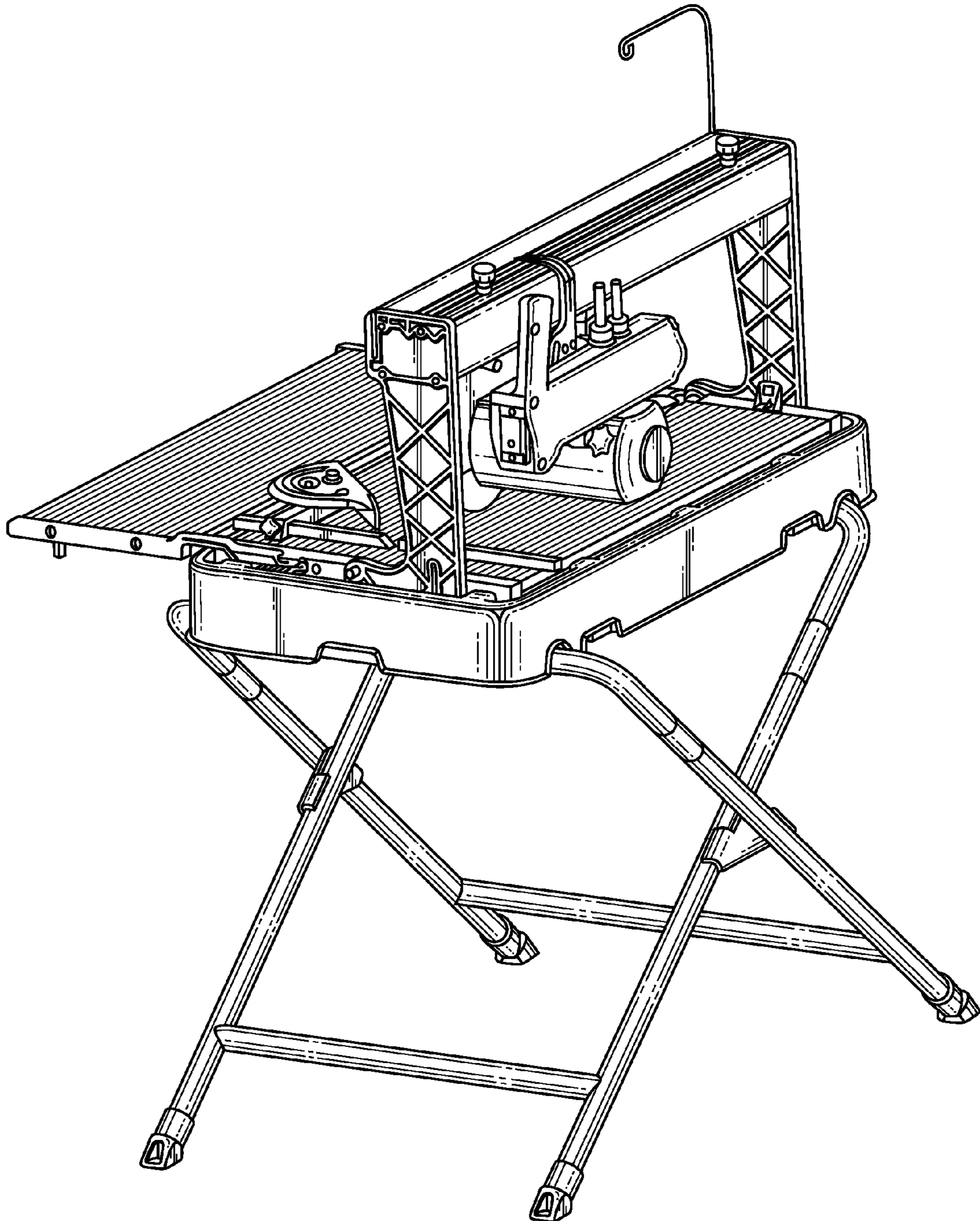


FIG. 8