



US00D545845S

(12) **United States Design Patent**  
**Choi et al.**

(10) **Patent No.:** **US D545,845 S**

(45) **Date of Patent:** **\*\* Jul. 3, 2007**

(54) **REFRIGERATOR**

(75) Inventors: **Eun Ha Choi**, Seoul (KR); **Jeong Min Kim**, Seoul (KR)

(73) Assignee: **Samsung Electronics Co., Ltd.**, Suwon (KR)

(\*\*) Term: **14 Years**

(21) Appl. No.: **29/266,292**

(22) Filed: **Sep. 18, 2006**

(51) **LOC (8) Cl.** ..... **15-07**

(52) **U.S. Cl.** ..... **D15/85**

(58) **Field of Classification Search** ..... D15/79-82,  
D15/85-89; 62/3.1, 3.6, 3.63, 3.64, 389-400,  
62/440, 441, 467, 531; 312/236, 352, 400-406,  
312/405.1

See application file for complete search history.

(56) **References Cited**

**U.S. PATENT DOCUMENTS**

D379,095 S *	5/1997	Sparks	.....	D15/85
D477,336 S *	7/2003	Kwak et al.	.....	D15/85
D477,340 S *	7/2003	Kim et al.	.....	D15/85
D513,015 S *	12/2005	Doh et al.	.....	D15/85
D518,076 S *	3/2006	Quinlan et al.	.....	D15/89
D523,878 S *	6/2006	Quinlan et al.	.....	D15/89
D524,832 S *	7/2006	Kim et al.	.....	D15/85
D525,993 S *	8/2006	Kim et al.	.....	D15/85
D527,396 S *	8/2006	Kim et al.	.....	D15/85
D527,397 S *	8/2006	Kim et al.	.....	D15/85

D527,746 S *	9/2006	Kim et al.	.....	D15/85
D534,555 S *	1/2007	Kim et al.	.....	D15/85
2003/0132689 A1 *	7/2003	Shin	.....	312/405

\* cited by examiner

*Primary Examiner*—Stella Reid

*Assistant Examiner*—Shanda C. Hill

(74) *Attorney, Agent, or Firm*—Ladas and Parry LLP

(57) **CLAIM**

We claim the ornamental design for a refrigerator, as shown and described.

**DESCRIPTION**

FIG. 1 is a perspective view as seen from the top, front, and left side of a refrigerator showing our new design;

FIG. 2 is a front elevational view thereof;

FIG. 3 is a rear elevational view thereof;

FIG. 4 is a left side elevational view thereof;

FIG. 5 is a right side elevational view thereof;

FIG. 6 is a top plan view thereof;

FIG. 7 is a bottom plan view thereof; and,

FIG. 8 is an exploded perspective view, as seen from the top, front and left side of the refrigerator shown in FIG. 1.

The broken lines showing an optional transmitter-receiver are for illustrative purposes only and form no part of the claimed design.

**1 Claim, 7 Drawing Sheets**

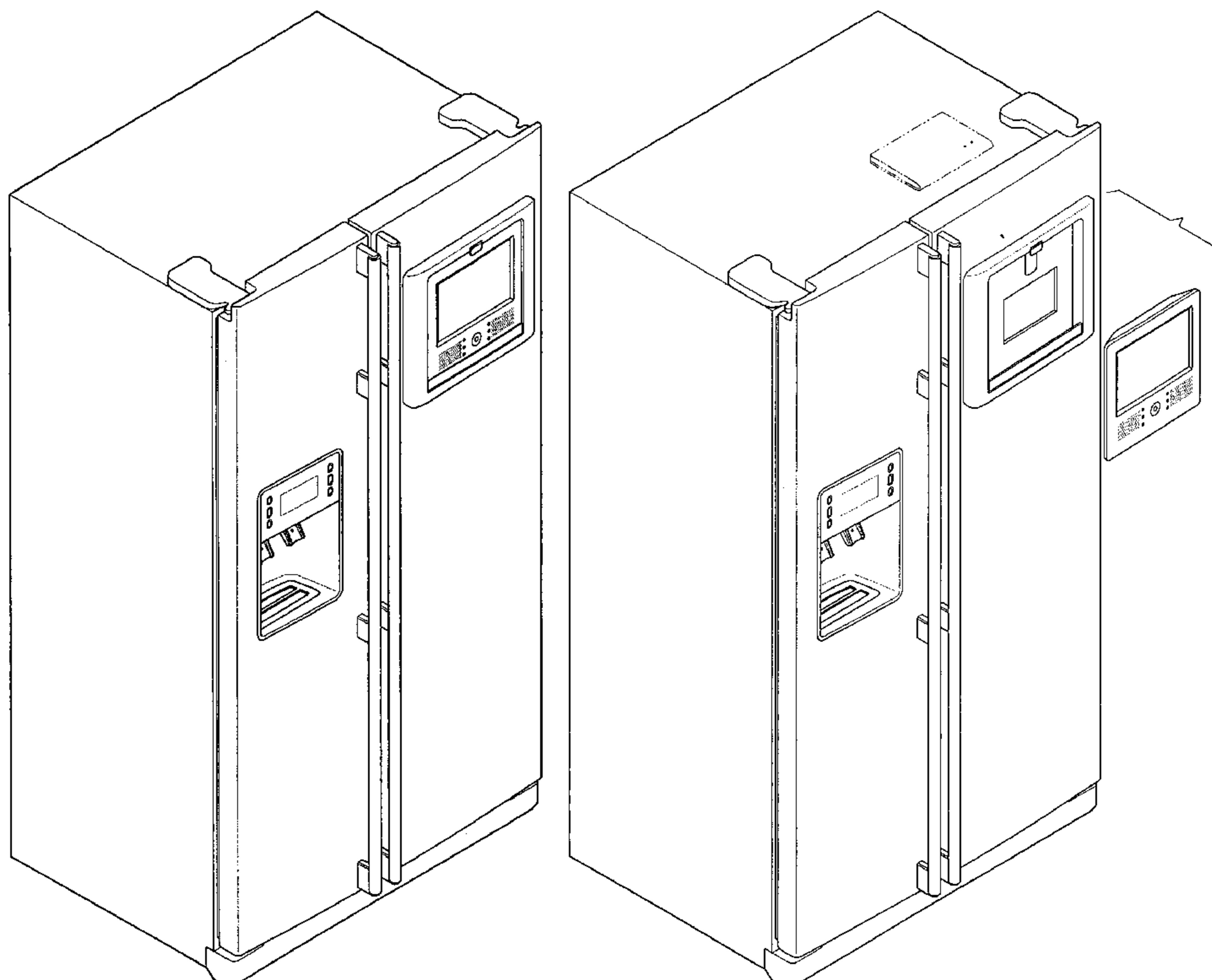


FIG. 1

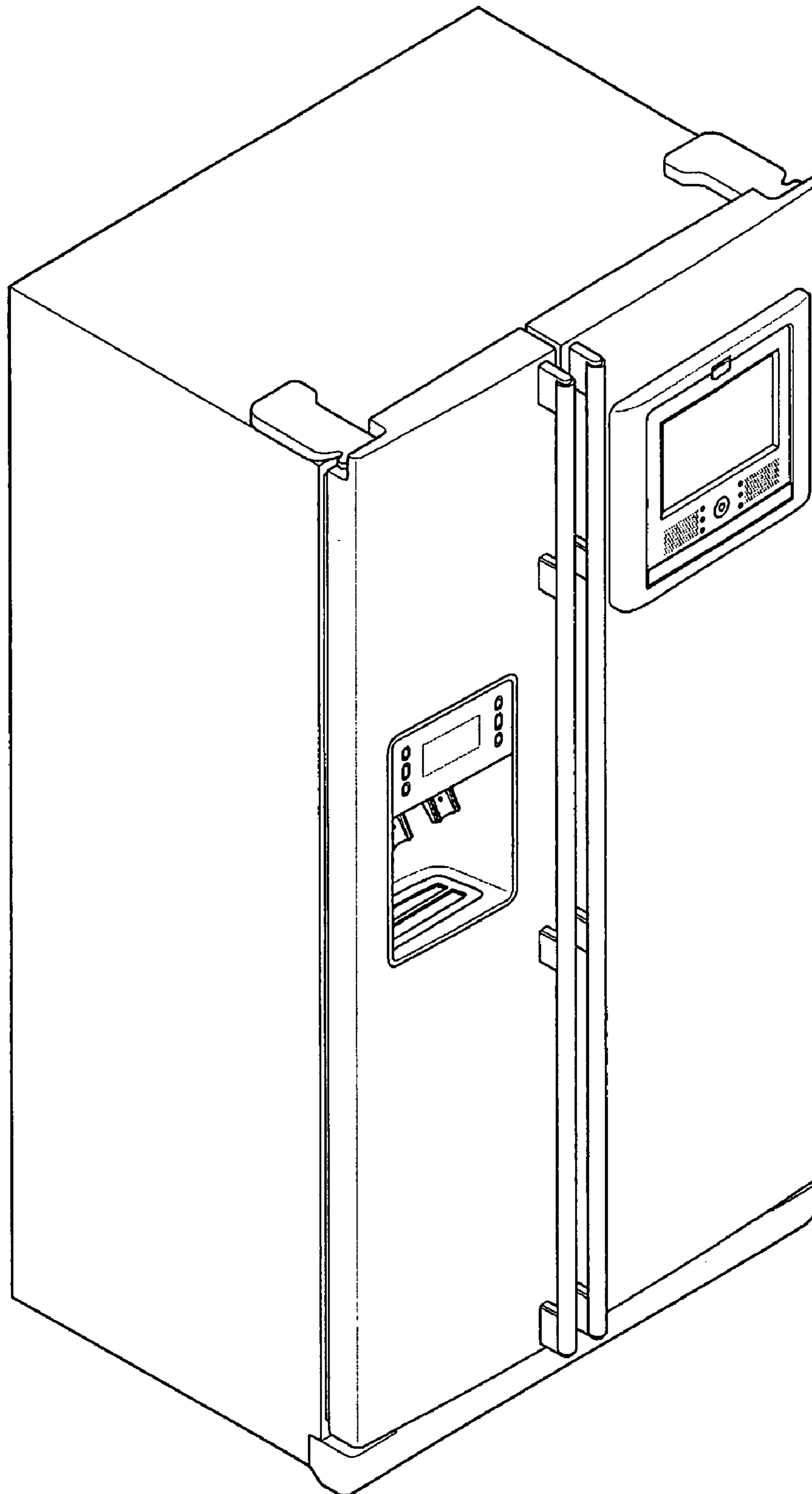


FIG. 2

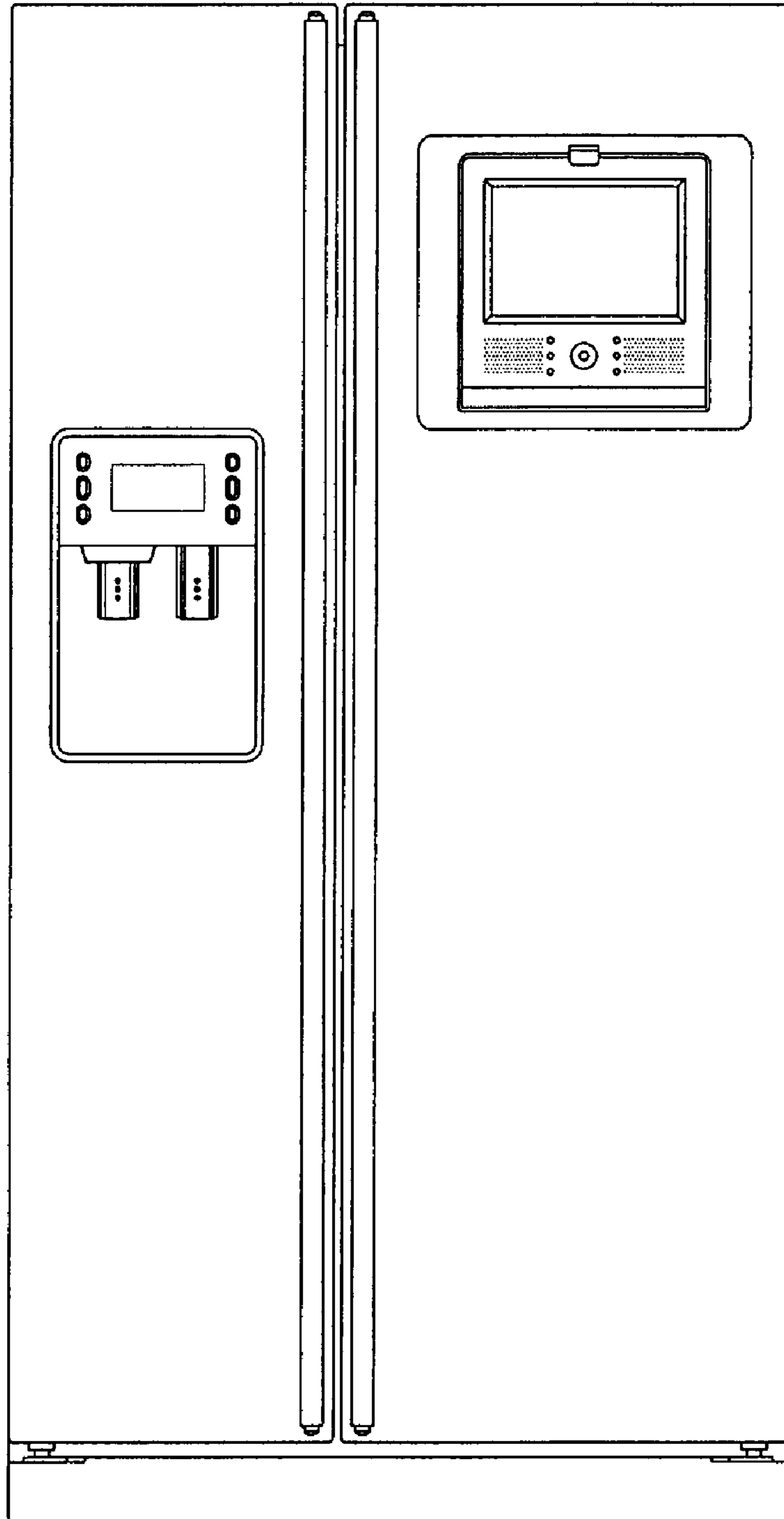


FIG. 3

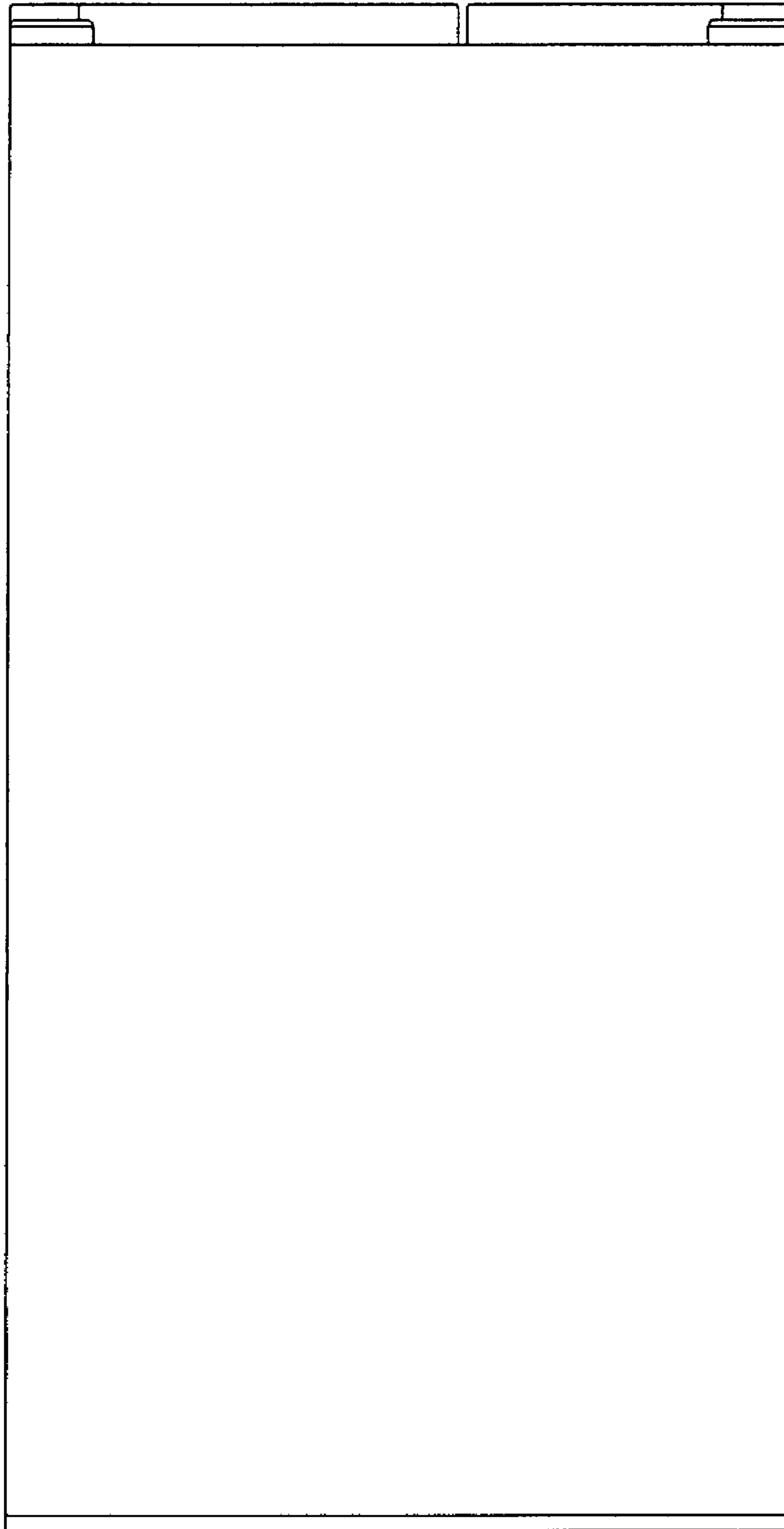


FIG. 4

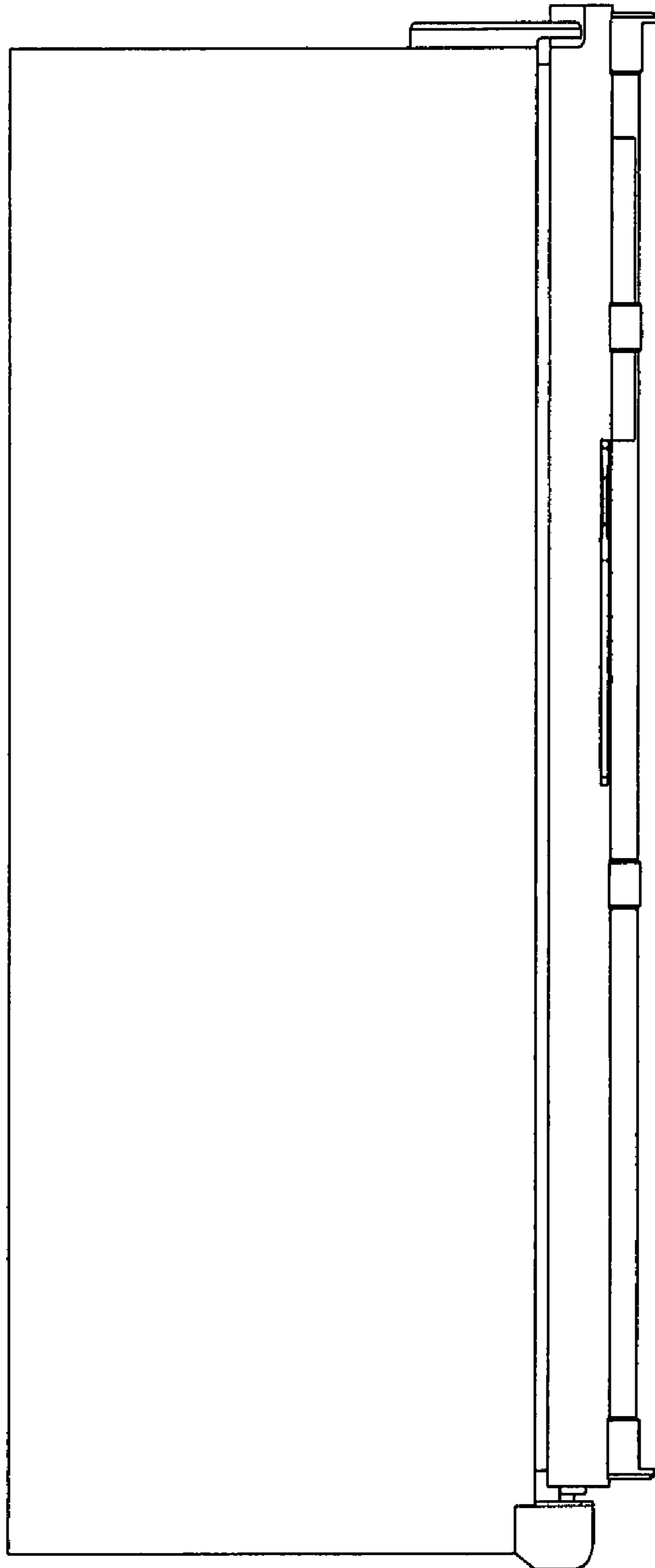


FIG. 5

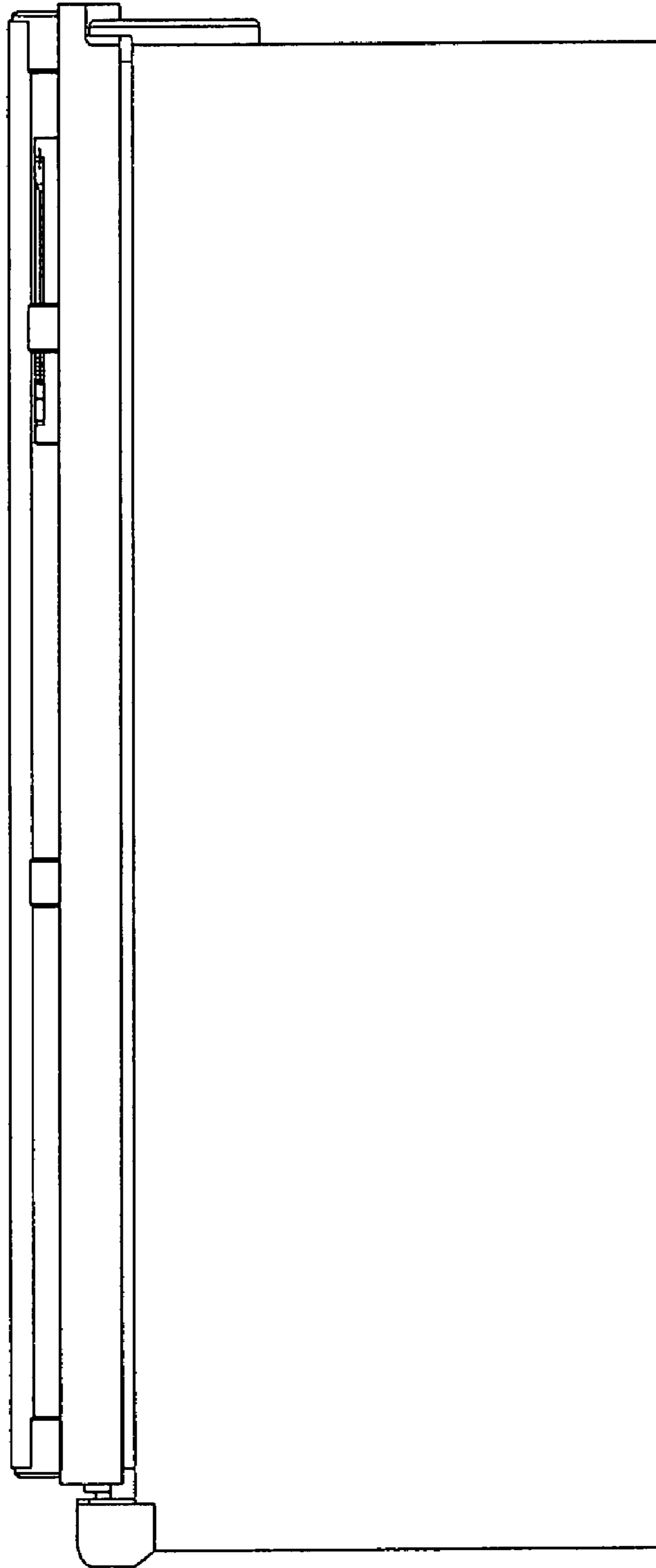


FIG. 6

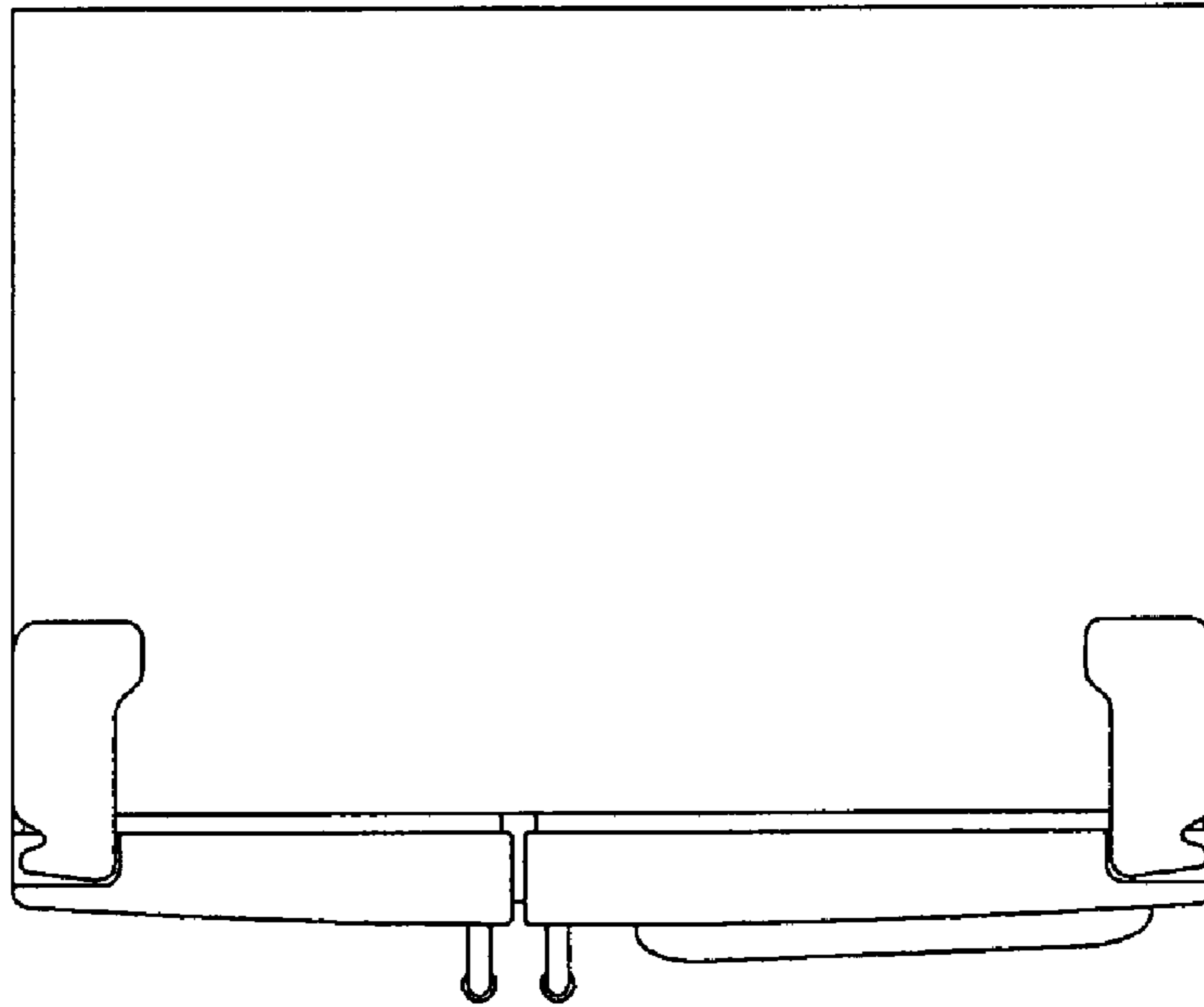


FIG. 7

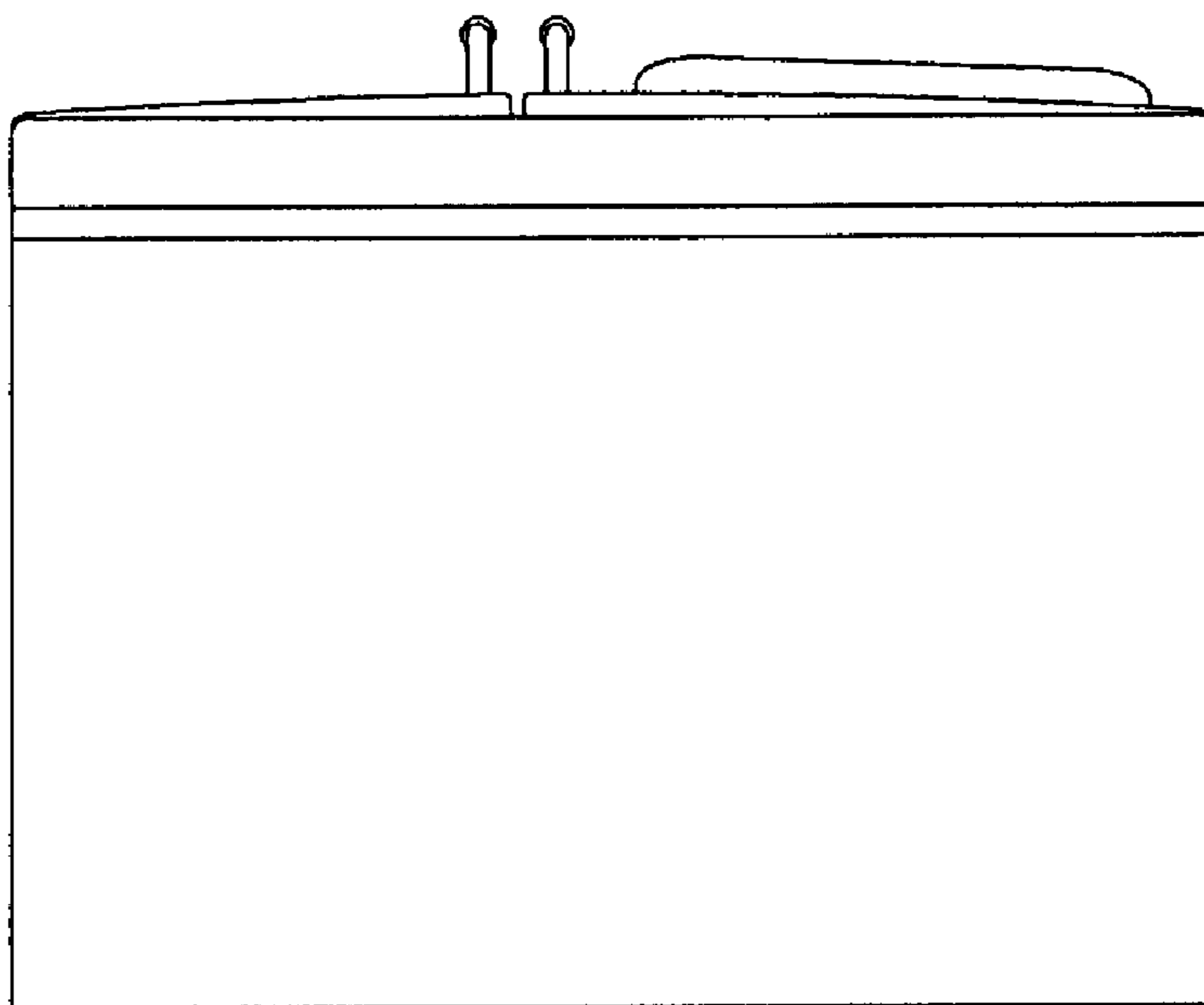


FIG. 8

