

US00D545844S

(12) **United States Design Patent**
Kroeker

(10) **Patent No.:** **US D545,844 S**

(45) **Date of Patent:** **** Jul. 3, 2007**

(54) **ANTI SWAY BAR DROP BLOCK**

(76) **Inventor:** **Kent L. Kroeker**, P.O. Box 2628,
Valley Center, CA (US) 92082

(**) **Term:** **14 Years**

(21) **Appl. No.:** **29/240,112**

(22) **Filed:** **Oct. 7, 2005**

(51) **LOC (8) Cl.** **15-01**

(52) **U.S. Cl.** **D15/5**

(58) **Field of Classification Search** D15/5;
D21/484, 486, 500, 504; D25/113; 188/112 A,
188/120, 122, 149; 280/455.1
See application file for complete search history.

(56) **References Cited**

U.S. PATENT DOCUMENTS

2,093,341	A *	9/1937	Reiche	446/104
2,132,647	A *	10/1938	Robins	446/94
D420,711	S *	2/2000	Glickman	D21/503
D426,588	S *	6/2000	Glickman	D21/503
D483,130	S *	12/2003	Dean et al.	D25/113

* cited by examiner

Primary Examiner—Ian Simmons

Assistant Examiner—Maurice Stevens

(74) *Attorney, Agent, or Firm*—Loyal McKinley Hanson

(57) **CLAIM**

I claim the ornamental design for an anti sway bar drop block, as shown.

DESCRIPTION

FIG. 1 of the drawings is a perspective view showing the right side, bottom, and back of an anti sway bar drop block embodying the design of my invention;

FIG. 2 is a bottom view;

FIG. 3 is a right side view;

FIG. 4 is a back view;

FIG. 5 is a front view;

FIG. 6 is a top view;

FIG. 7 is a left side view; and,

FIG. 8 is a reduced right side environmental view of the anti sway bar drop block. The broken lines are for example only and form no part of the claimed invention.

1 Claim, 2 Drawing Sheets

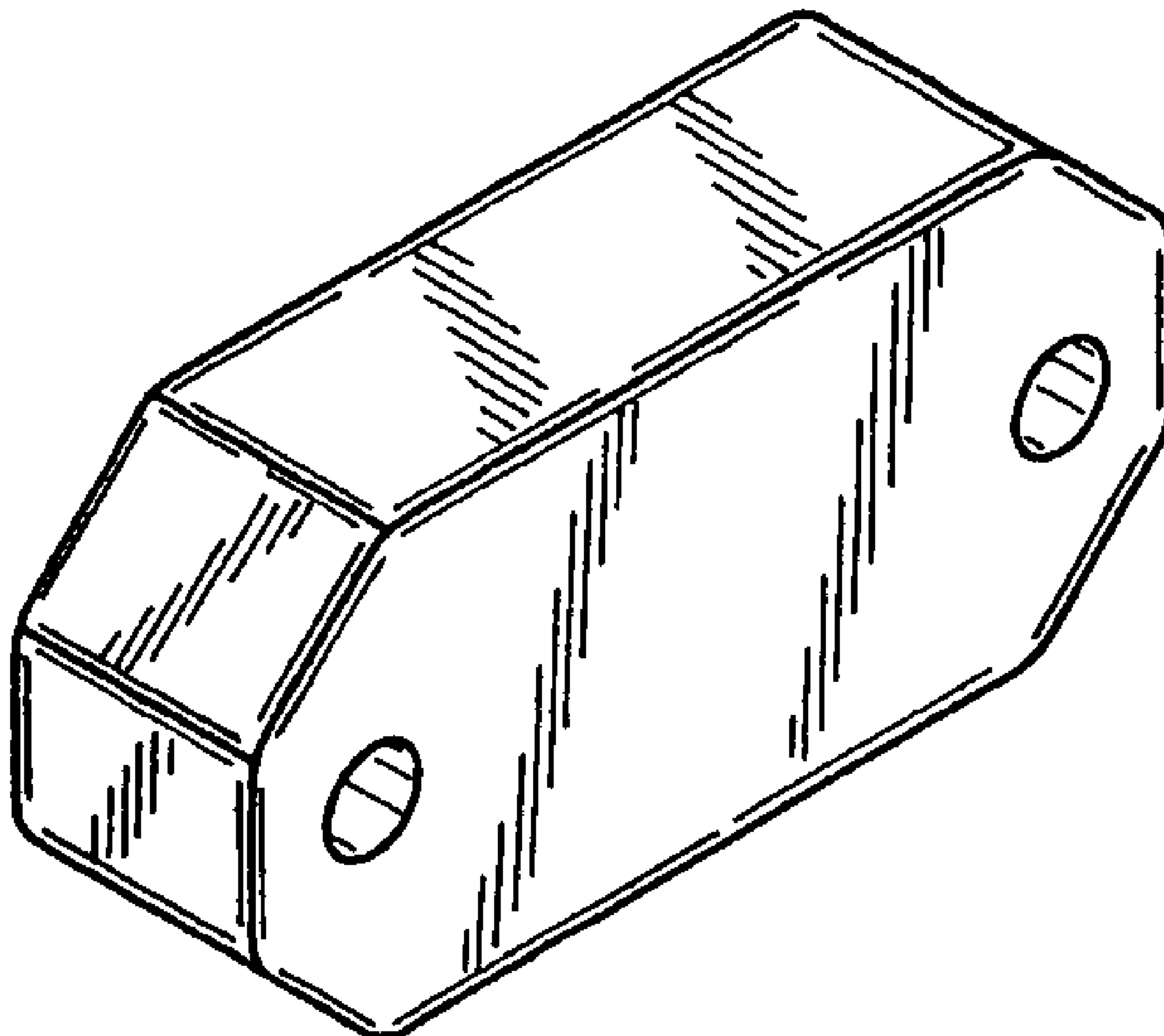


FIG. 1

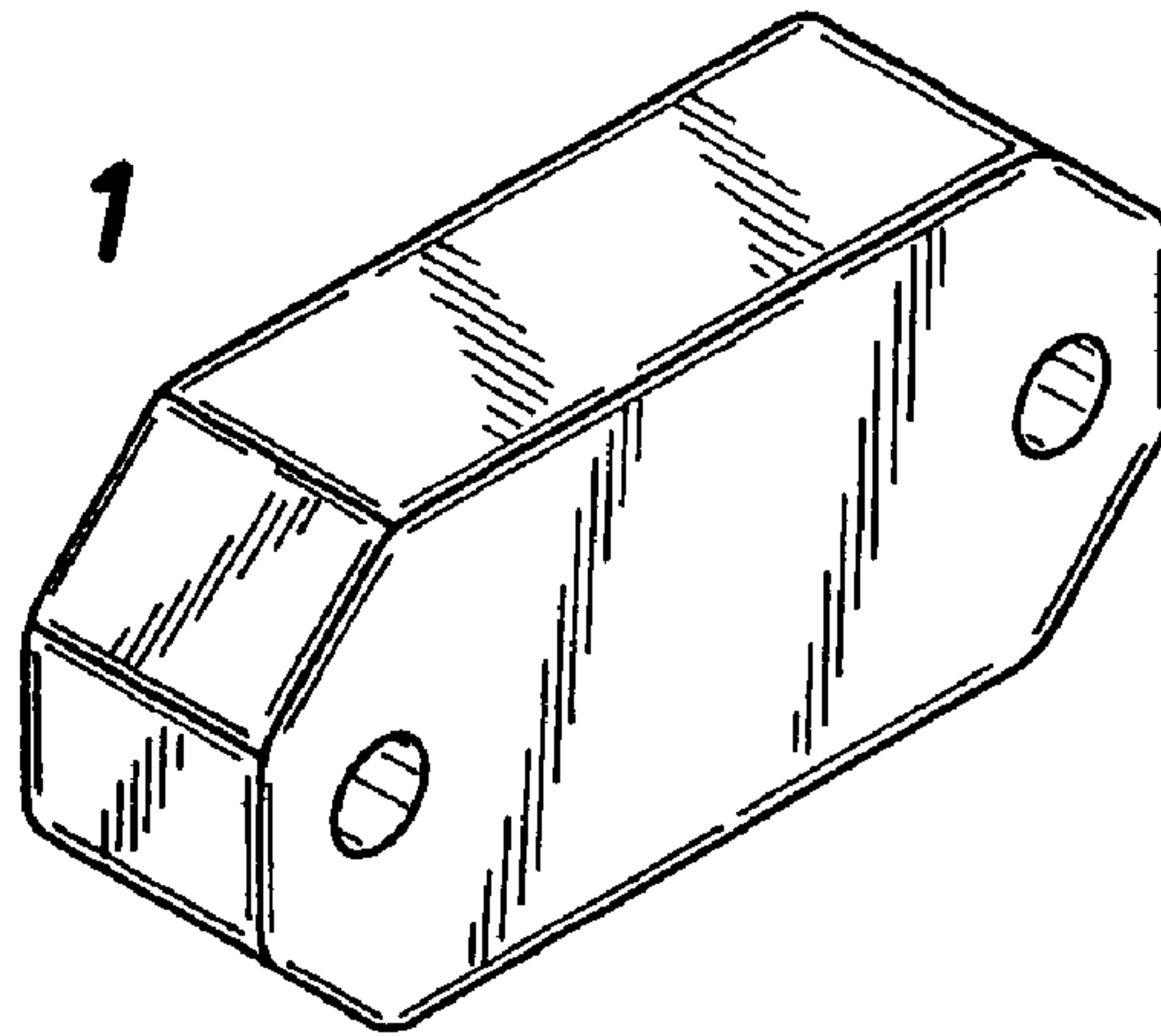


FIG. 4

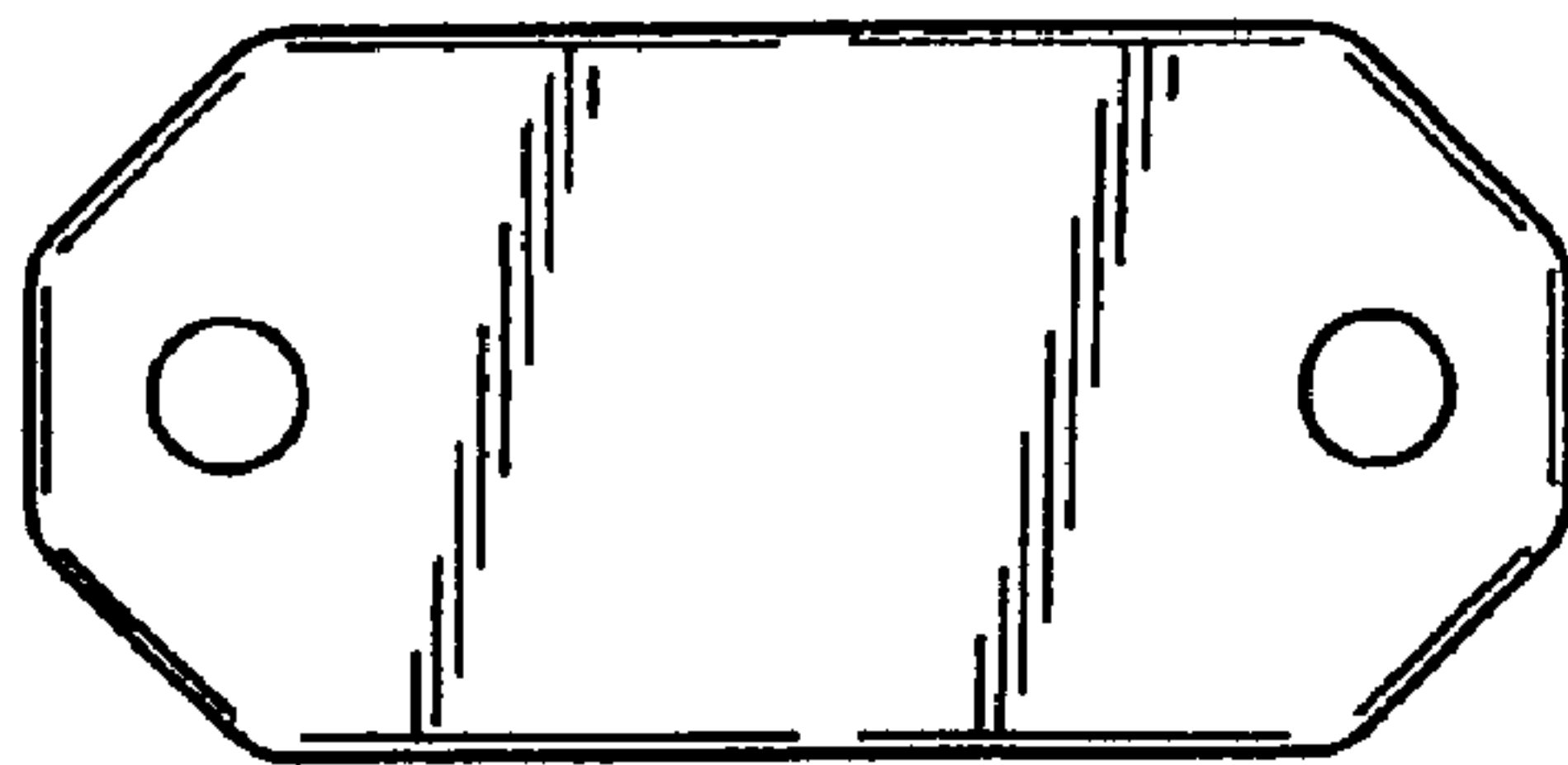
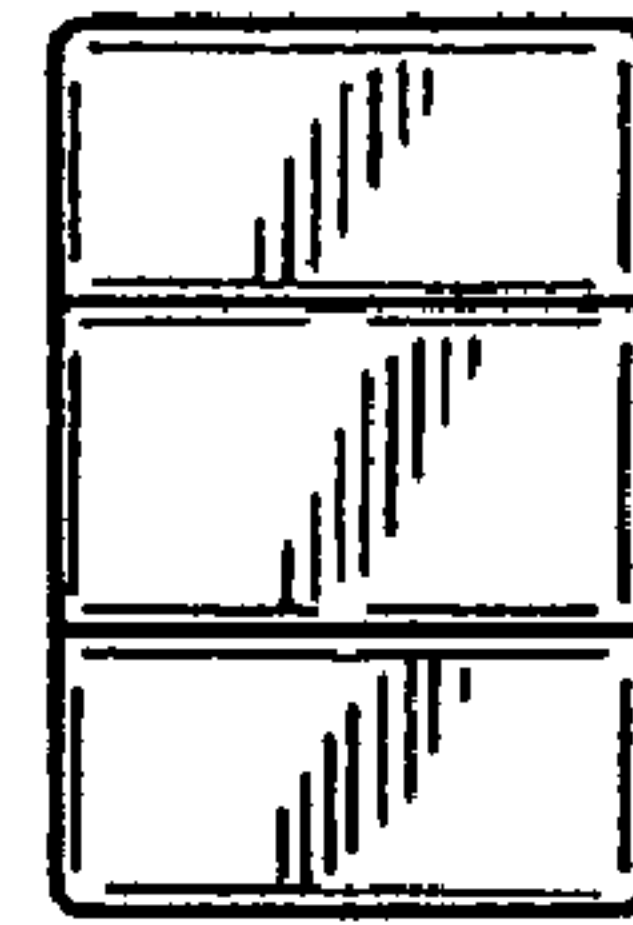


FIG. 2

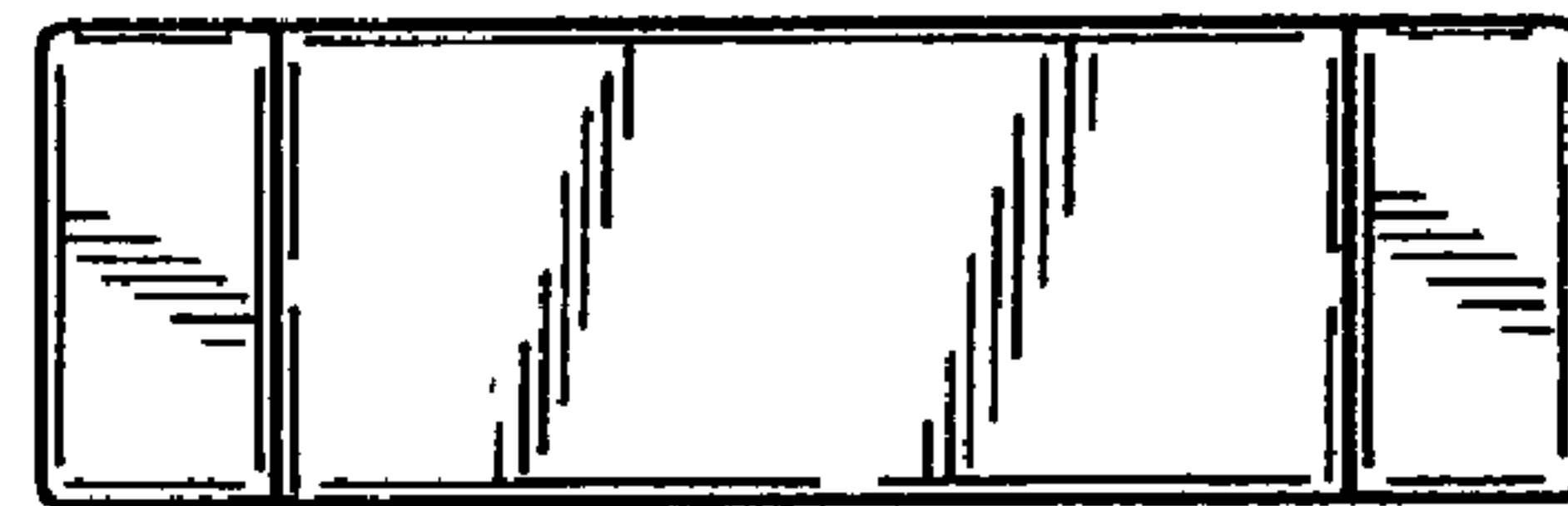


FIG. 3

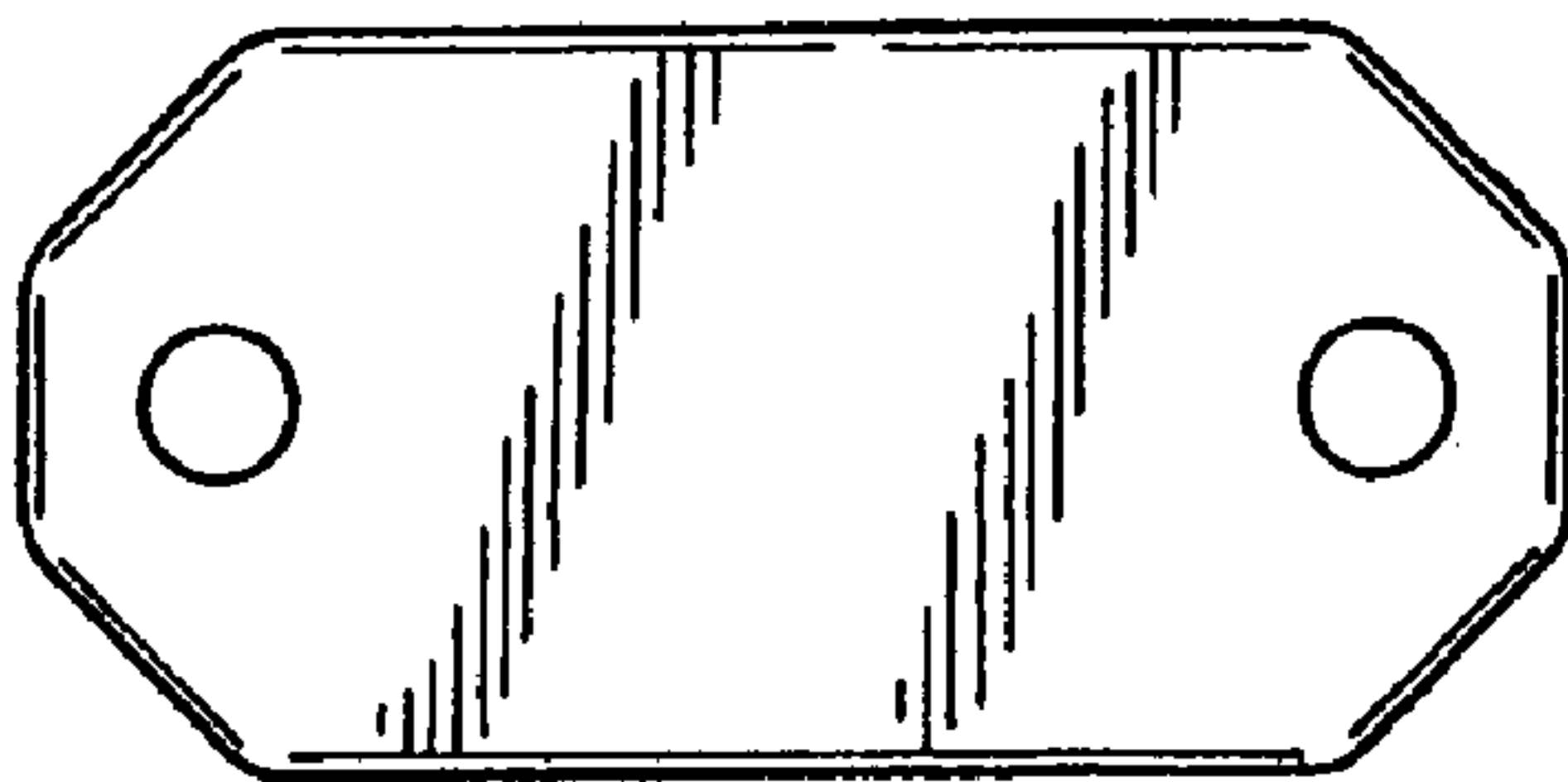


FIG. 6

FIG. 5

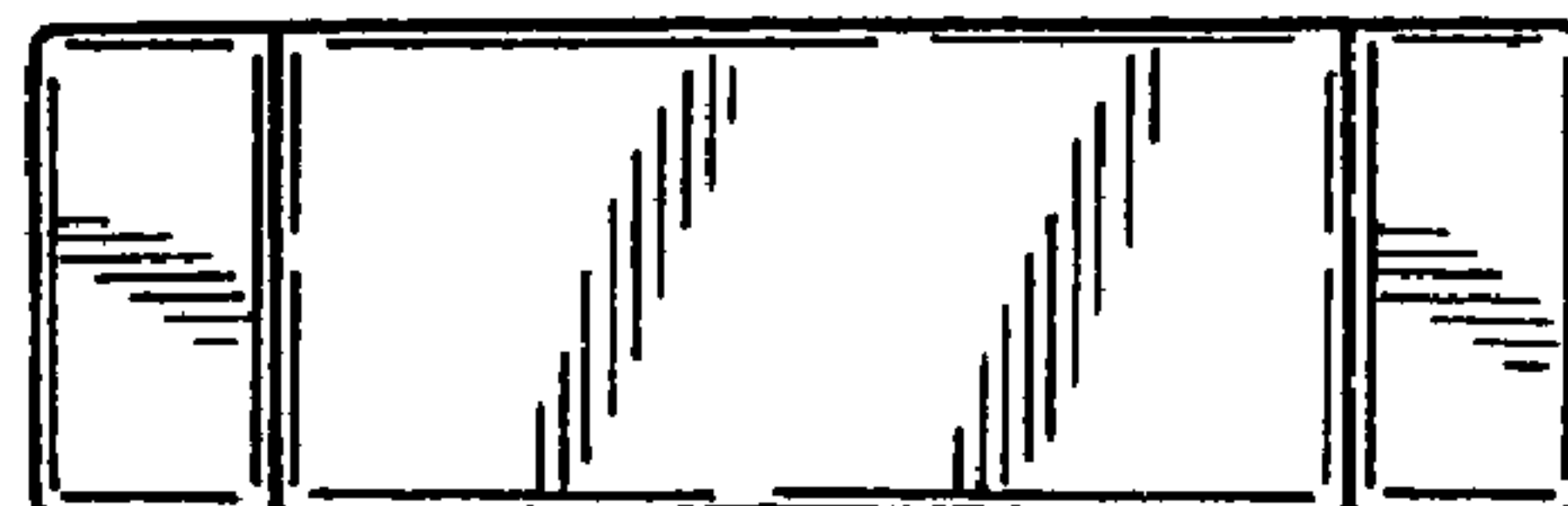


FIG. 7

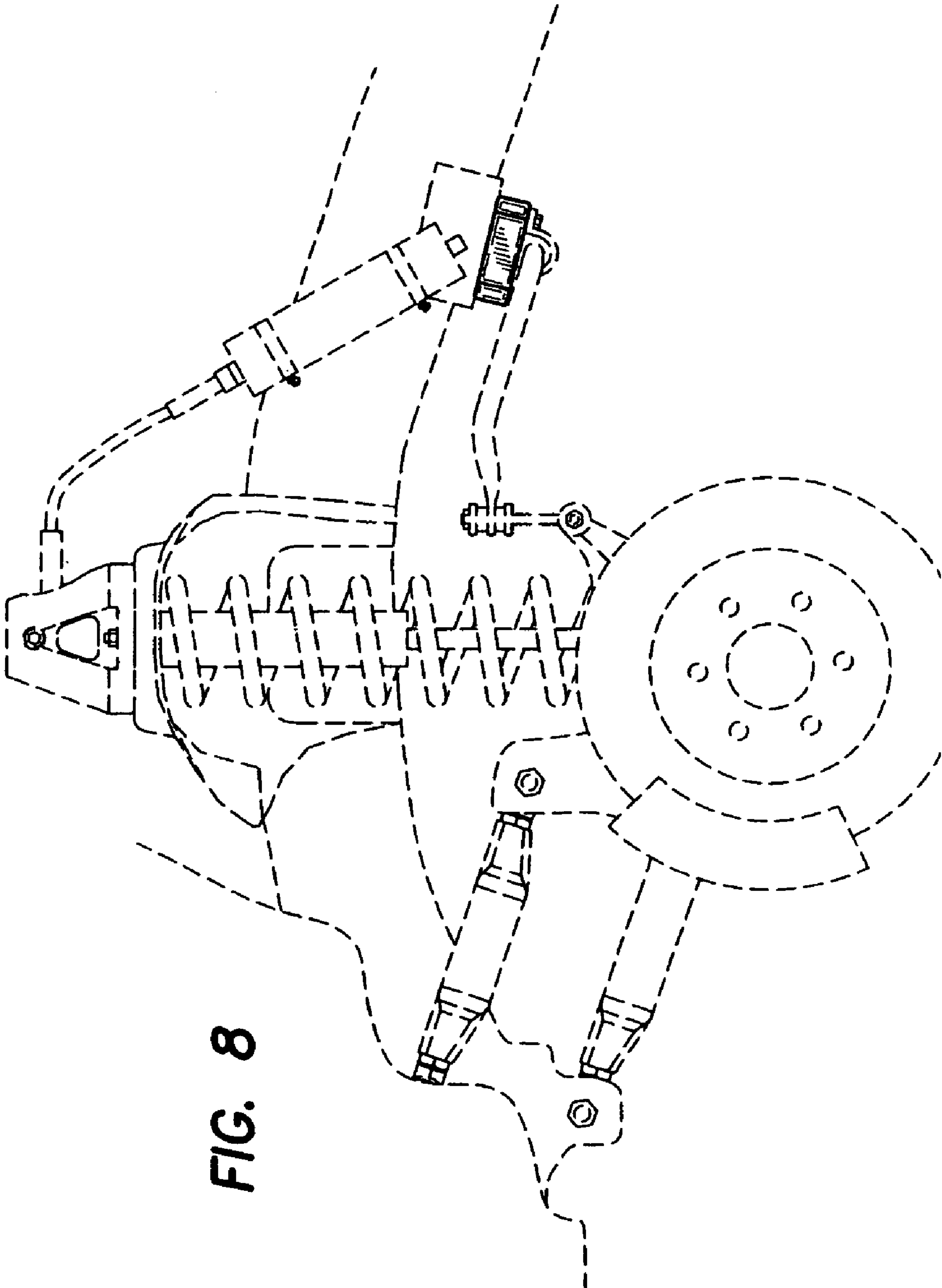


FIG. 8