



US00D545843S

(12) **United States Design Patent**
Song

(10) **Patent No.:** **US D545,843 S**

(45) **Date of Patent:** **** Jul. 3, 2007**

(54) **DIGITAL A/V PLAYER**

(75) Inventor: **O-shik Song**, Daegu-si (KR)

(73) Assignee: **Hyunwon Inc.** (KR)

(**) Term: **14 Years**

(21) Appl. No.: **29/263,231**

(22) Filed: **Jul. 19, 2006**

(30) **Foreign Application Priority Data**

May 24, 2006 (KR) 30-2006-0019158

(51) **LOC (8) Cl.** **14-03**

(52) **U.S. Cl.** **D14/496**

(58) **Field of Classification Search** D14/496,
D14/401, 435, 474, 483, 217, 137, 138, 160,
D14/168; 345/156, 169, 173-179, 905; 715/727-729,
715/864; 455/11.1, 7, 73, 344-347, 93, 95;
370/342-344; 369/1, 2, 6, 12; 463/43-47;
273/148 B

See application file for complete search history.

(56) **References Cited**

U.S. PATENT DOCUMENTS

6,122,526 A * 9/2000 Parulski et al. 455/556.1
D441,735 S * 5/2001 Katayama D14/156
D489,052 S * 4/2004 Shiraki et al. D14/156
D493,779 S * 8/2004 Lee D14/156

6,769,603 B2 * 8/2004 Nagai et al. 235/375
D504,442 S * 4/2005 Kim D14/496
6,932,309 B1 * 8/2005 Corey et al. 248/231.9
D509,833 S * 9/2005 Yang D14/496
D511,512 S * 11/2005 Yang D14/156
6,977,625 B1 * 12/2005 Zhou 343/835
D515,099 S * 2/2006 Lee D14/496
7,046,230 B2 * 5/2006 Zadesky et al. 345/156

* cited by examiner

Primary Examiner—Prabhakar Deshmukh

(74) *Attorney, Agent, or Firm*—Cantor Colburn LLP

(57) **CLAIM**

I claim, the ornamental design for a digital A/V player, as shown and described.

DESCRIPTION

FIG. 1 is a perspective view of a digital A/V player, showing my new design;

FIG. 2 is a front elevational view thereof;

FIG. 3 is a rear elevational view thereof;

FIG. 4 is a left side elevational view thereof;

FIG. 5 is a right side elevational view thereof;

FIG. 6 is a top plan view thereof; and,

FIG. 7 is a bottom plan view thereof.

1 Claim, 6 Drawing Sheets

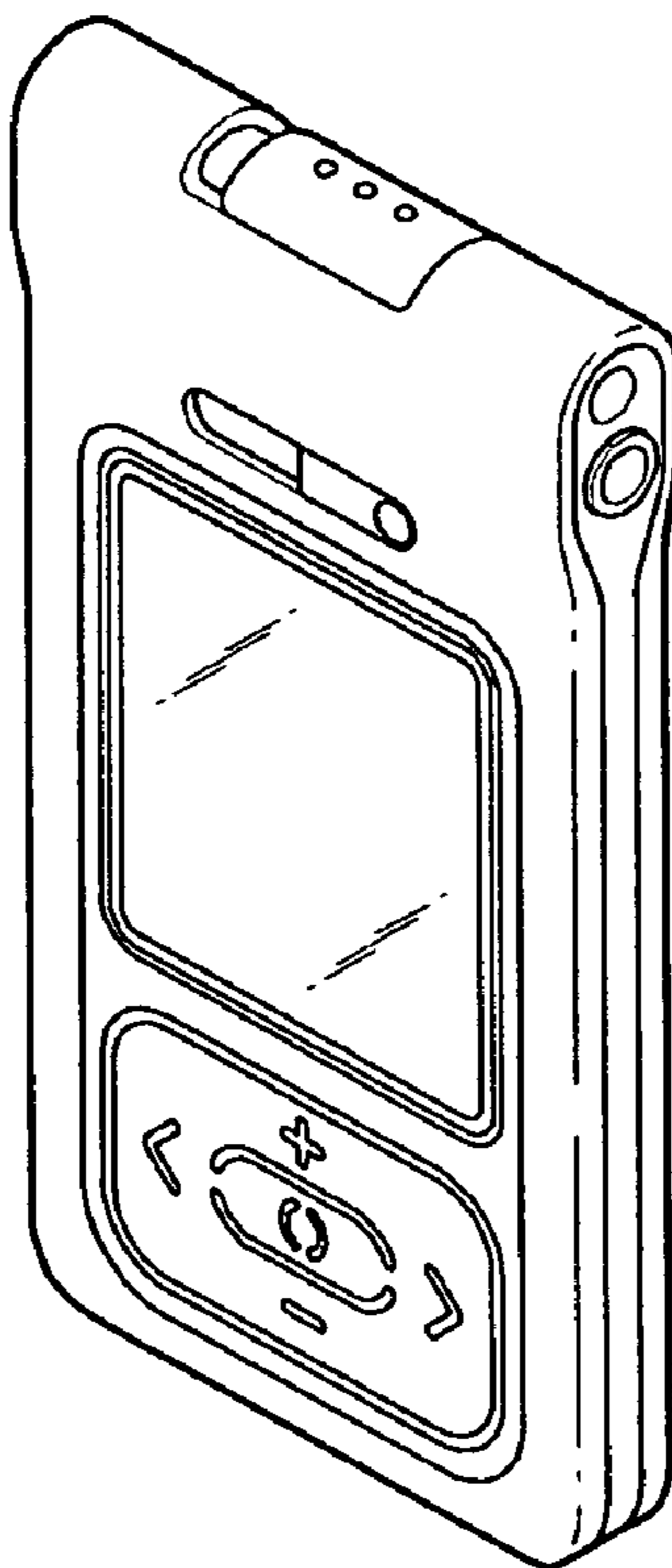


FIG. 1

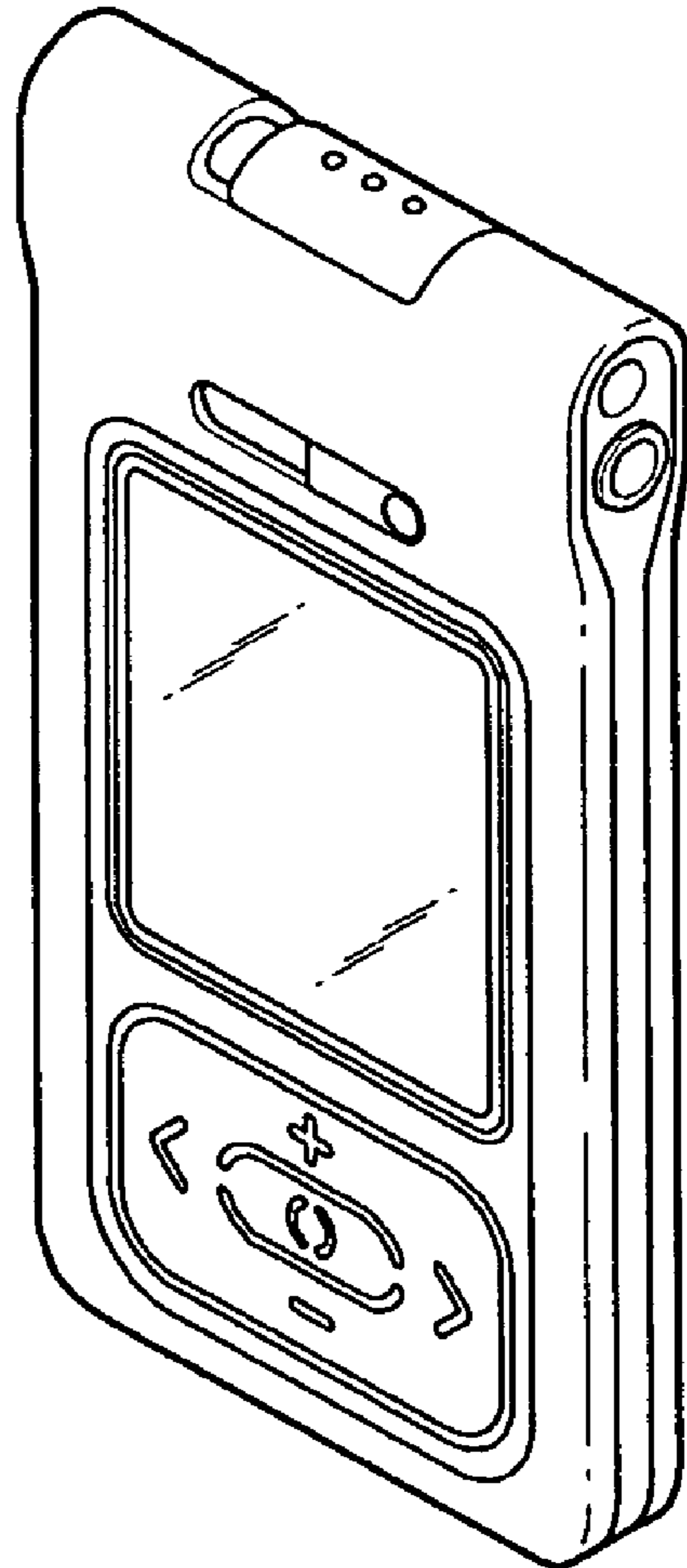


FIG. 2

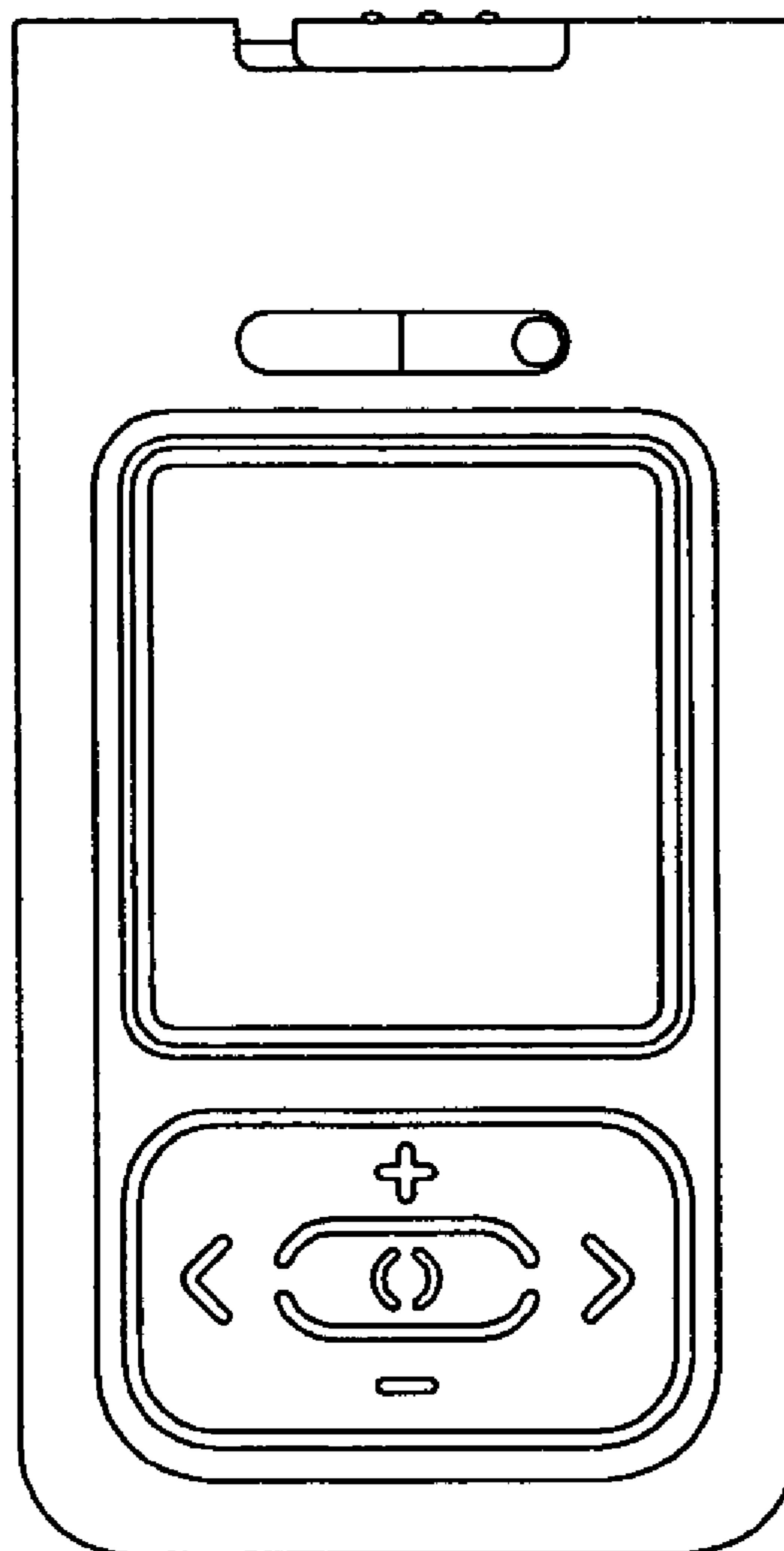


FIG.3

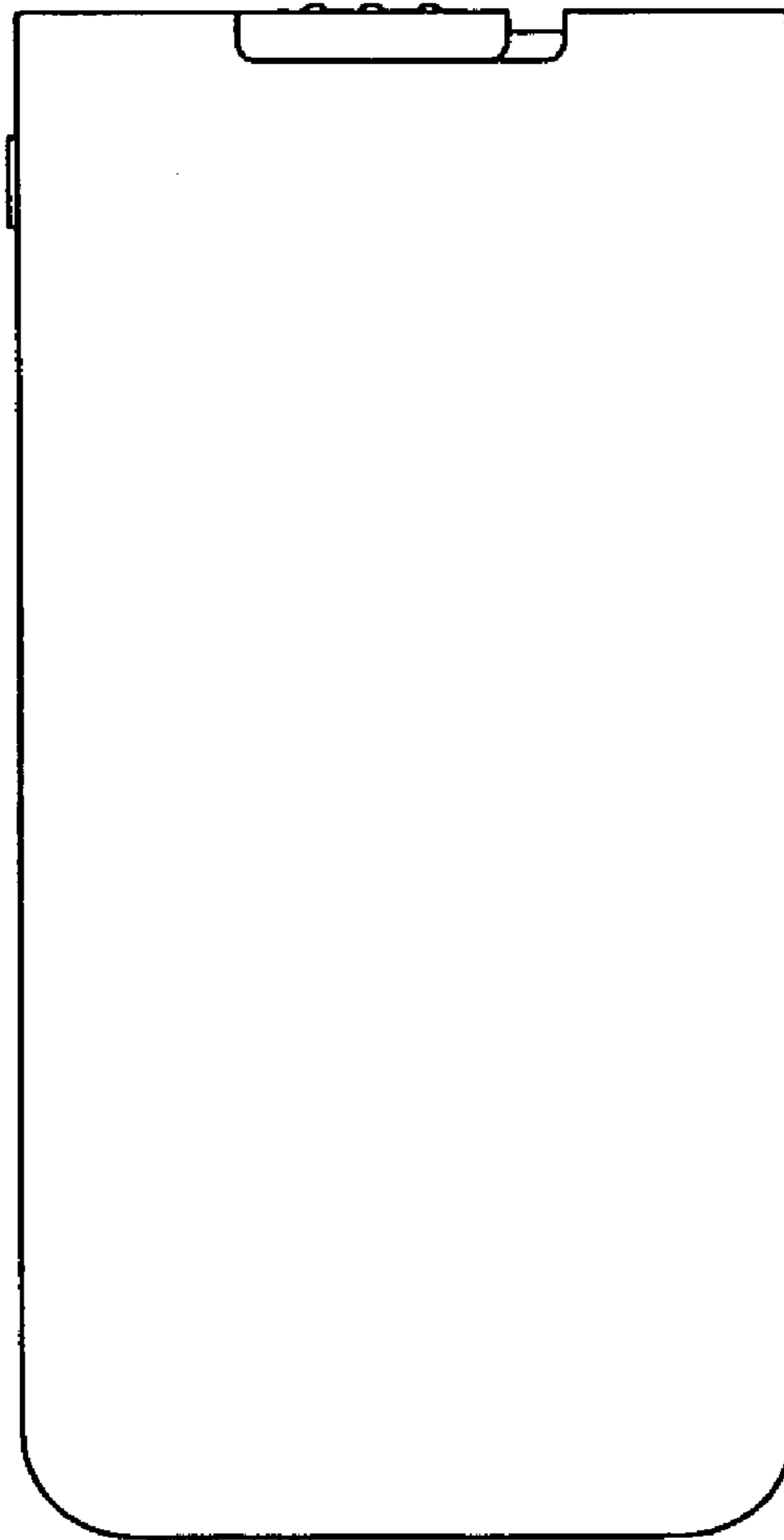


FIG. 4

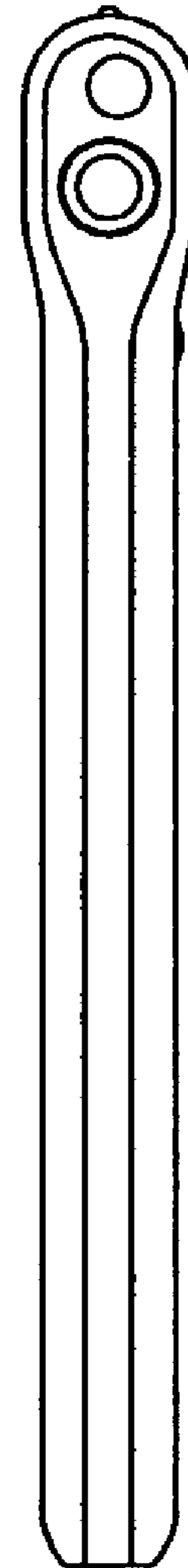


FIG. 5



FIG.6



FIG.7

