

US00D545826S

(12) **United States Design Patent**
Richter

(10) **Patent No.:** **US D545,826 S**

(45) **Date of Patent:** **** Jul. 3, 2007**

(54) **APPARATUS HOLDER SUPPORT DEVICE**

(76) **Inventor:** **Harald Richter**, Hohenstrasse 32,
75331 Engelbrand (DE)

(**) **Term:** **14 Years**

(21) **Appl. No.:** **29/262,286**

(22) **Filed:** **Jun. 29, 2006**

(51) **LOC (8) Cl.** **14-03**

(52) **U.S. Cl.** **D14/447; D14/251; D14/253;**
D14/452

(58) **Field of Classification Search** **D14/140,**
D14/142, 146, 224, 251-253, 434, 447, 240,
D14/452; D6/466; D8/71, 350, 355; D12/400,
D12/415; D13/107-108; D16/242; 248/121,
248/157, 160, 205.8, 206.2, 274.1, 371, 917;
320/107-108, 114-115; 379/454, 455; 455/575.1,
455/575.2, 575.6, 575.9, 90.3

See application file for complete search history.

(56) **References Cited**

U.S. PATENT DOCUMENTS

2,481,271	A *	9/1949	Willey	379/455
D324,865	S *	3/1992	Cooper	D14/253
D337,333	S *	7/1993	Turk	D14/251
D423,821	S *	5/2000	Crump	D6/466
D460,078	S *	7/2002	Li	D14/452

D487,270	S *	3/2004	Richter	D14/447
6,913,232	B2 *	7/2005	Richter	248/205.8
D530,333	S *	10/2006	Richter	D14/447
D533,174	S *	12/2006	Richter	D14/251
2004/0011932	A1 *	1/2004	Duff	248/157
2006/0113434	A1 *	6/2006	Richter	248/121

* cited by examiner

Primary Examiner—Charles A. Rademaker

Assistant Examiner—Carla Jobe Wright

(74) *Attorney, Agent, or Firm*—Klaus J. Bach

(57) **CLAIM**

The ornamental design for an apparatus holder support device, as shown and described.

DESCRIPTION

FIG. 1 is a perspective view of an apparatus holder support device;

FIG. 2 is a side view thereof;

FIG. 3 is an opposite side view thereof;

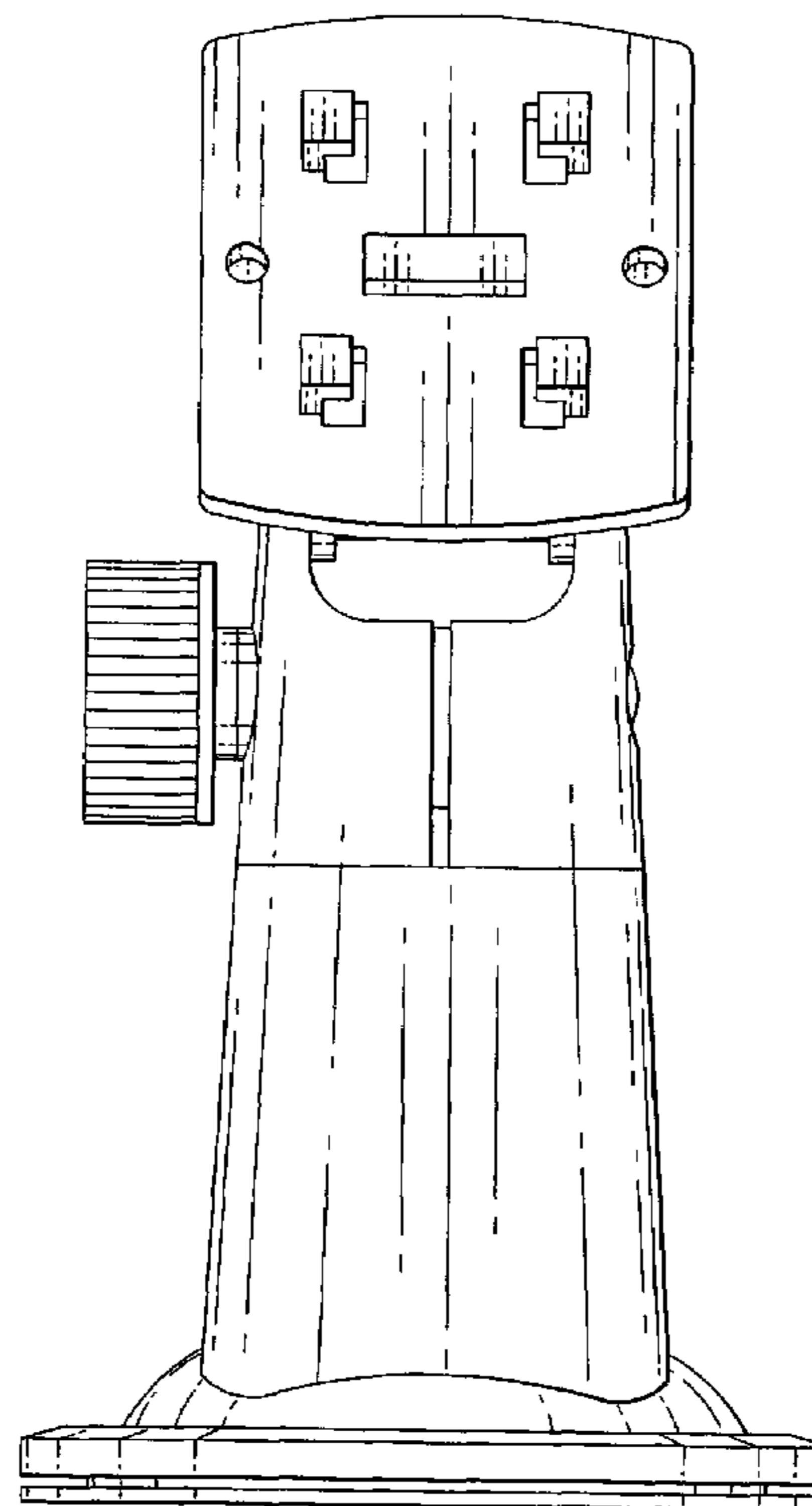
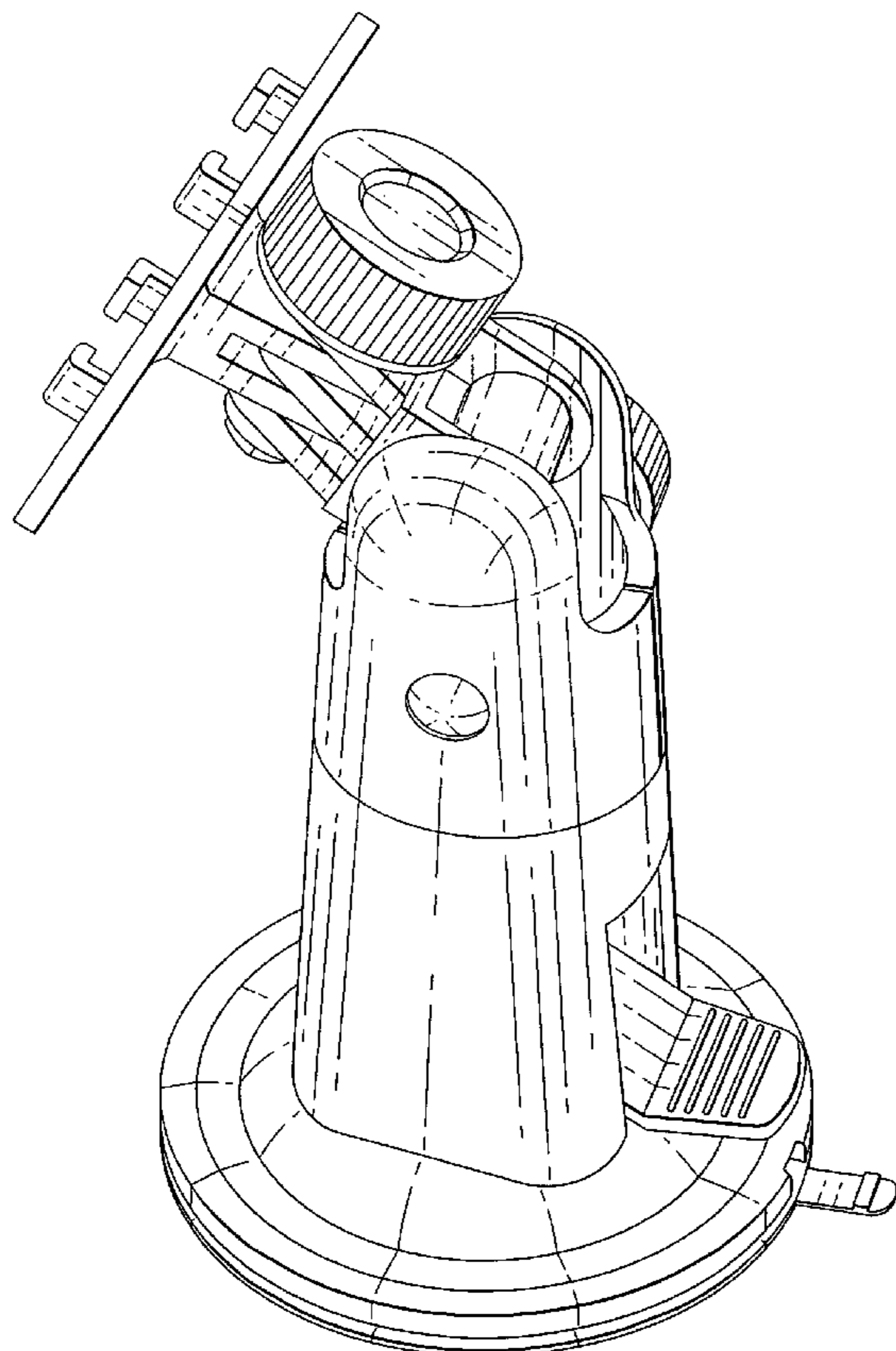
FIG. 4 is a front view thereof;

FIG. 5 is a rear view thereof;

FIG. 6 is a top view thereof; and,

FIG. 7 is a bottom view thereof.

1 Claim, 6 Drawing Sheets



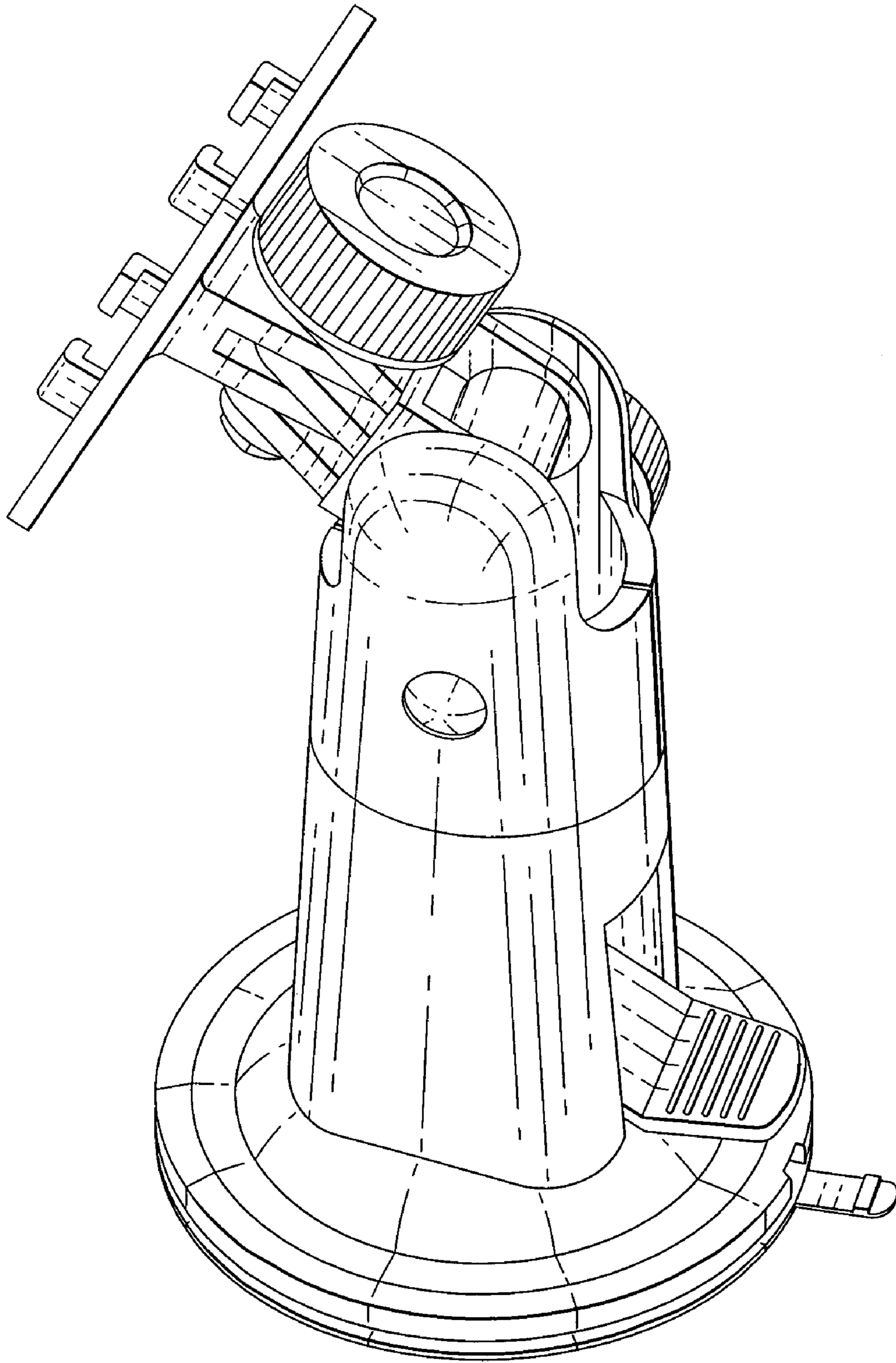


FIG. 1

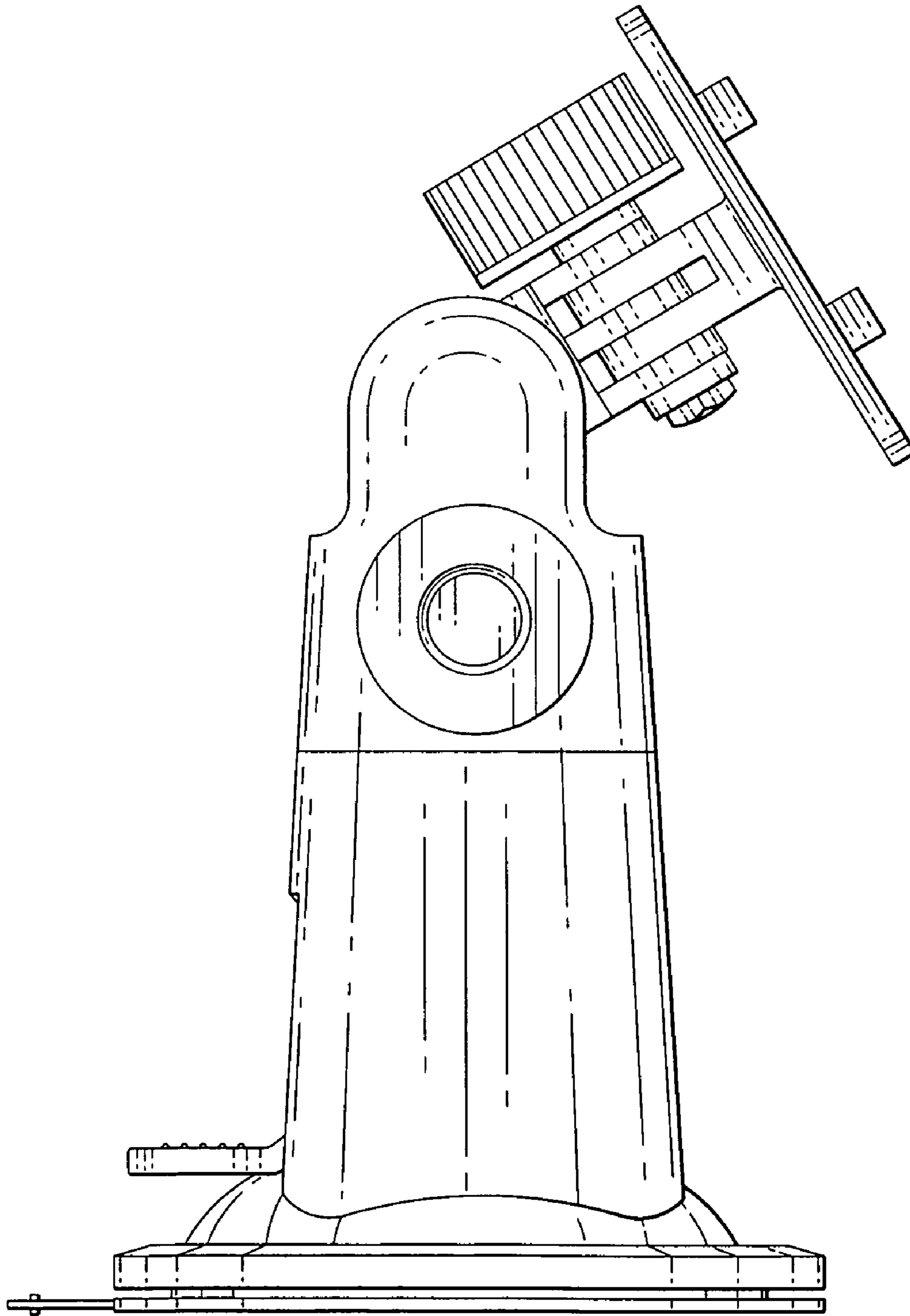


FIG. 2

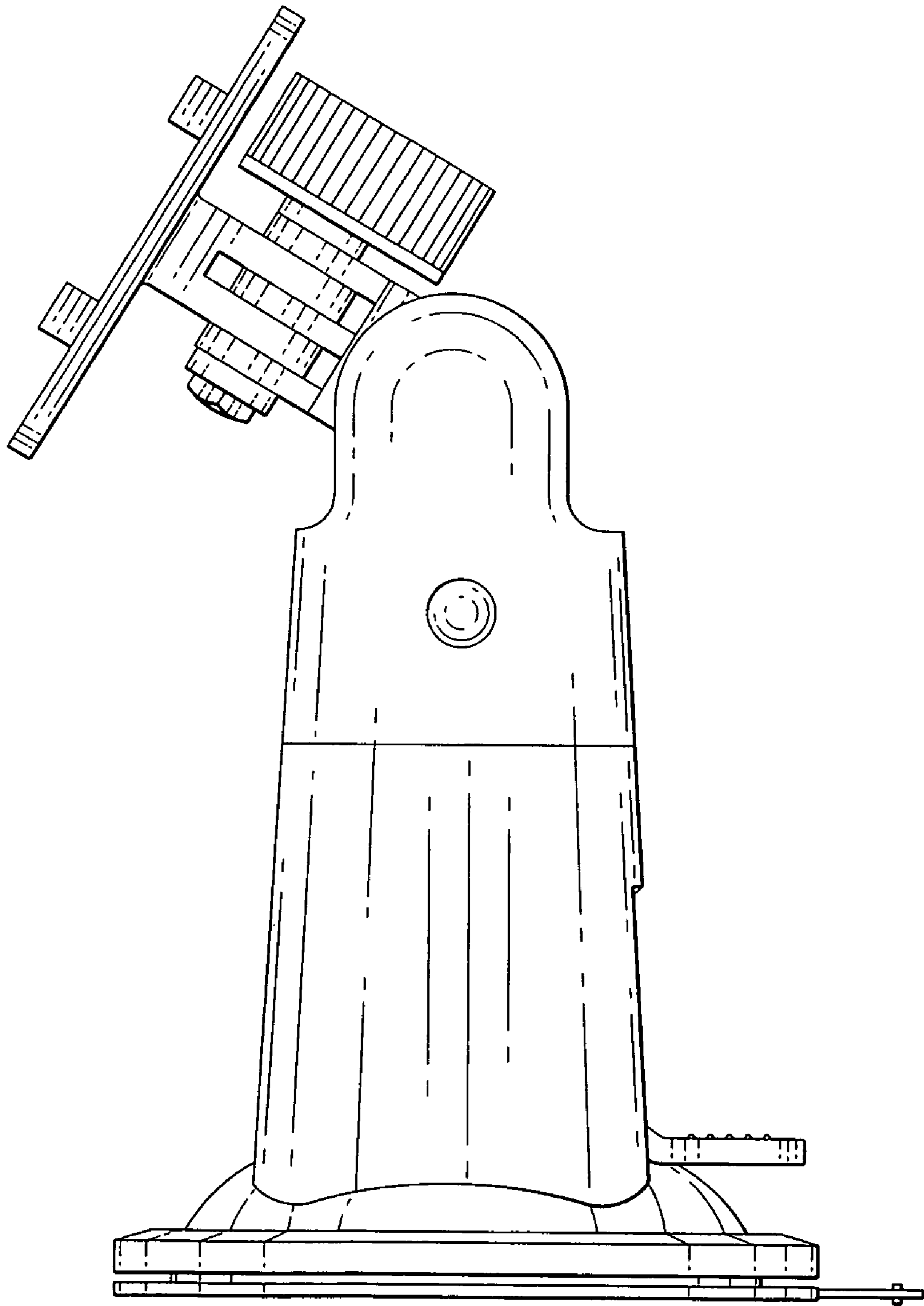


FIG. 3

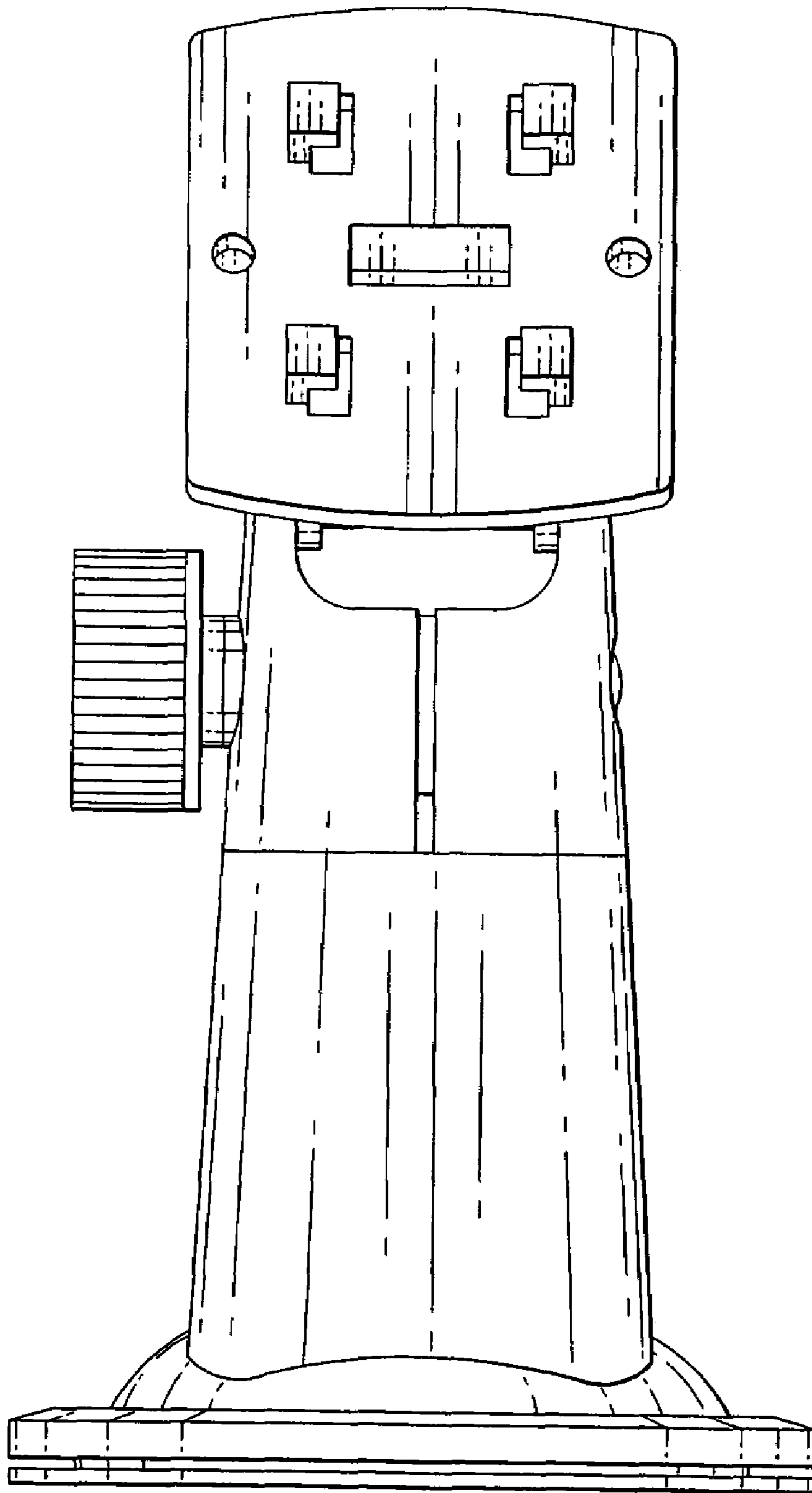


FIG. 4

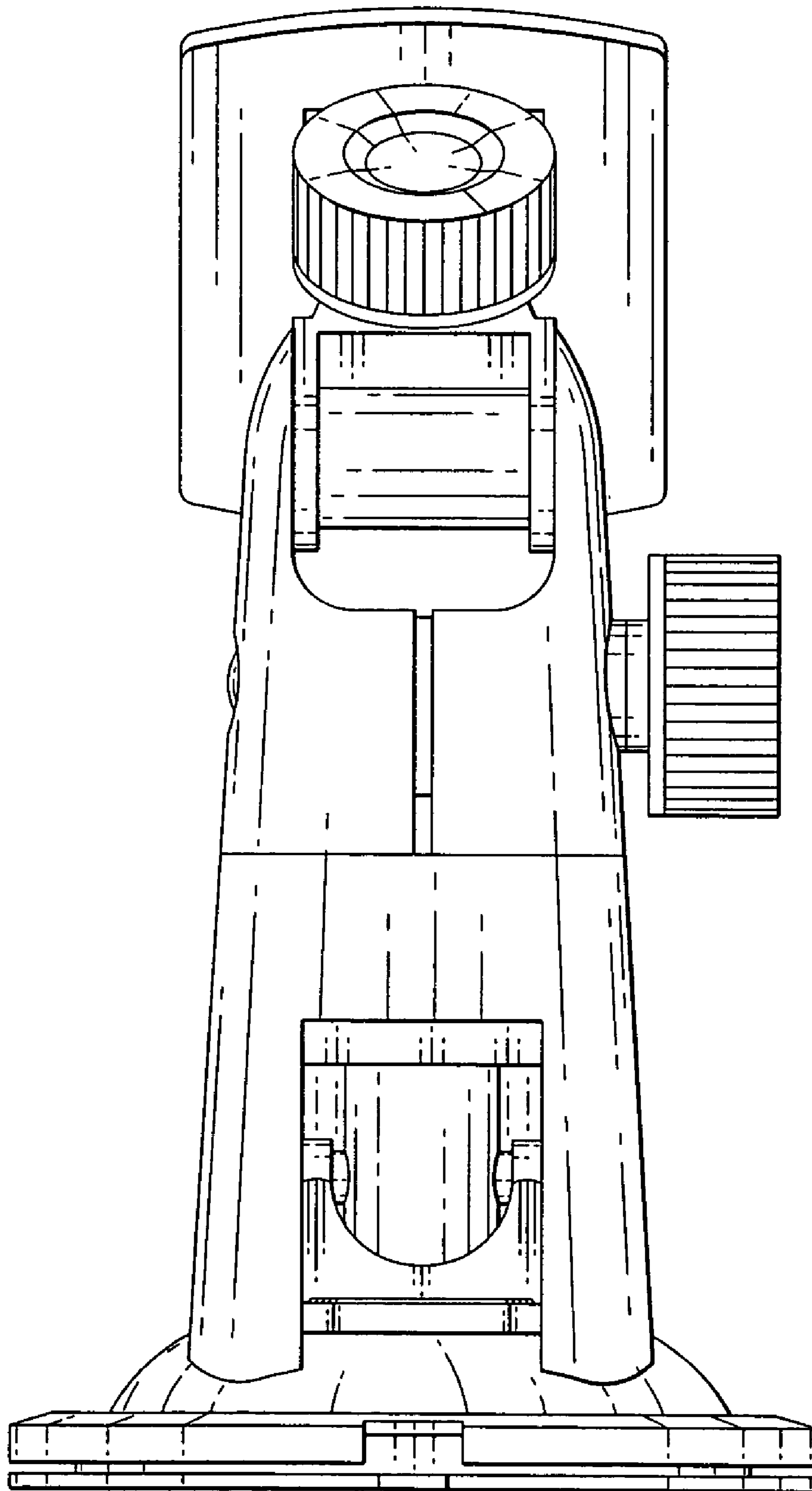


FIG. 5

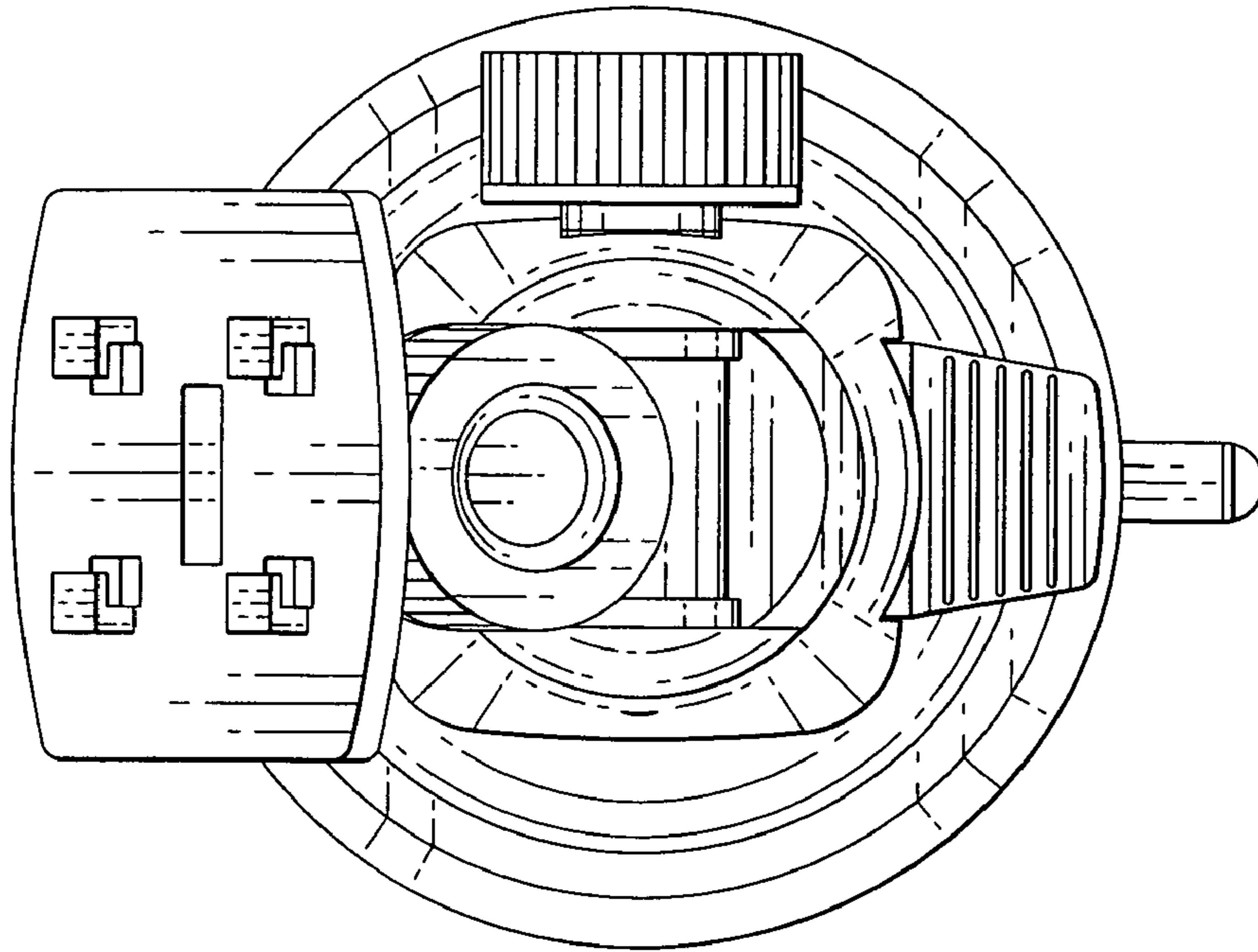


FIG. 6

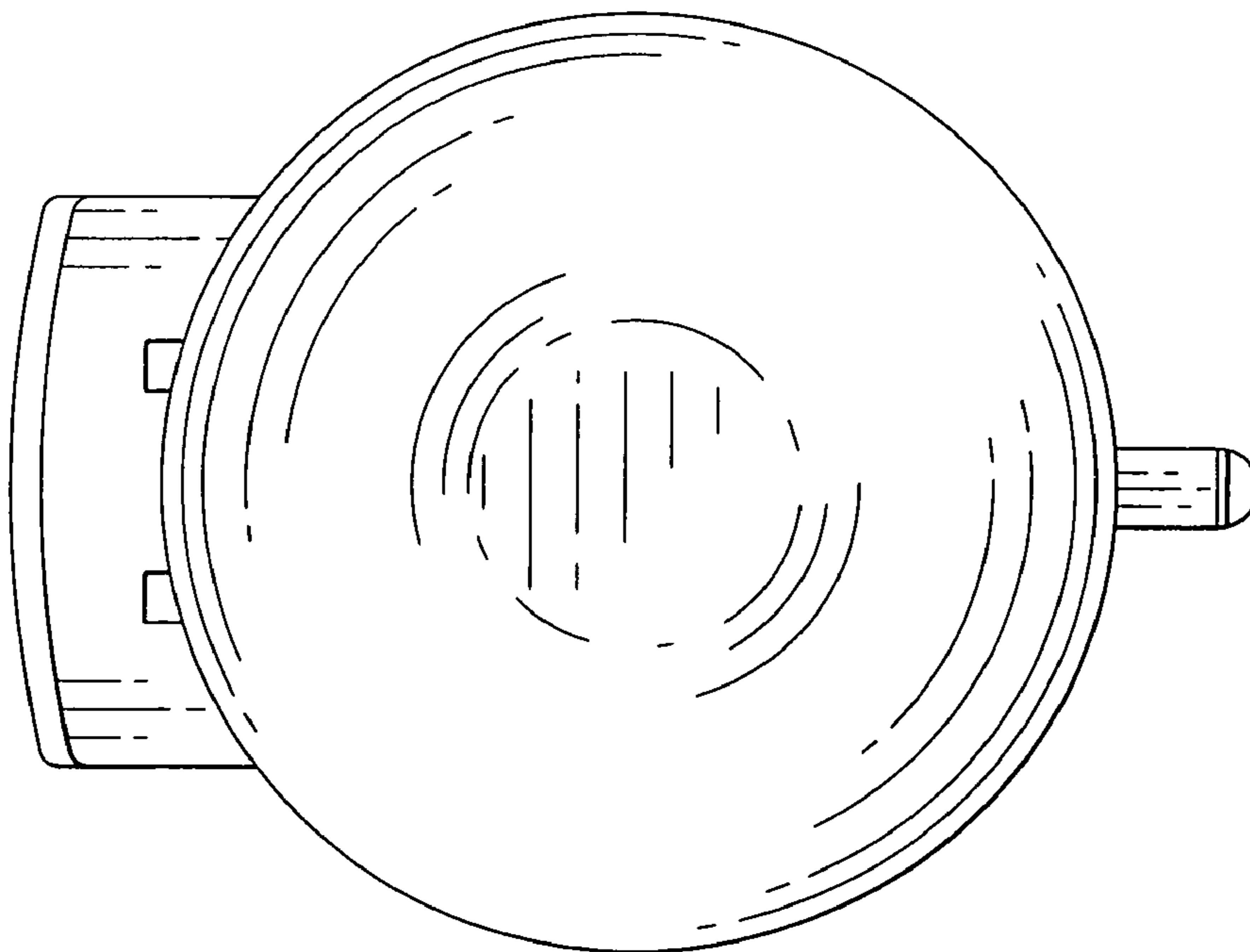


FIG. 7