



US00D545825S

(12) **United States Design Patent**  
**Richter**

(10) **Patent No.:** **US D545,825 S**

(45) **Date of Patent:** **\*\* Jul. 3, 2007**

(54) **APPARATUS HOLDER SUPPORT DEVICE**

(76) **Inventor:** **Harald Richter**, Hohenstrasse 32,  
75331 Engelbrand (DE)

(\*\*) **Term:** **14 Years**

(21) **Appl. No.:** **29/262,285**

(22) **Filed:** **Jun. 29, 2006**

(51) **LOC (8) Cl.** ..... **14-03**

(52) **U.S. Cl.** ..... **D14/447; D14/251; D14/253;**  
**D14/452**

(58) **Field of Classification Search** ..... **D14/140,**  
**D14/142, 146, 224, 251-253, 434, 447, 240,**  
**D14/452; D6/466; D8/71, 350, 355; D12/400,**  
**D12/415; D13/107-108; D16/242; 248/121,**  
**248/157, 160, 205.8, 206.2, 274.1, 371, 917;**  
**320/107-108, 114-115; 379/454, 455; 455/575.1,**  
**455/575.2, 575.6, 575.9, 90.3**

See application file for complete search history.

(56) **References Cited**

**U.S. PATENT DOCUMENTS**

2,481,271	A *	9/1949	Willey	.....	379/455
D324,865	S *	3/1992	Cooper	.....	D14/253
D337,333	S *	7/1993	Turk	.....	D14/251
D423,821	S *	5/2000	Crump	.....	D6/466
D460,078	S *	7/2002	Li	.....	D14/452

D487,270	S *	3/2004	Richter	.....	D14/447
6,913,232	B2 *	7/2005	Richter	.....	248/205.8
D530,333	S *	10/2006	Richter	.....	D14/447
D533,174	S *	12/2006	Richter	.....	D14/251
2004/0011932	A1 *	1/2004	Duff	.....	248/157
2006/0113434	A1 *	6/2006	Richter	.....	248/121

\* cited by examiner

*Primary Examiner*—Charles A. Rademaker

*Assistant Examiner*—Carla Jobe Wright

(74) *Attorney, Agent, or Firm*—Klaus J. Bach

(57) **CLAIM**

The ornamental design for an apparatus holder support device, as shown and described.

**DESCRIPTION**

FIG. 1 is a perspective view of an apparatus holder support device;

FIG. 2 is a side view thereof;

FIG. 3 is an opposite side view thereof;

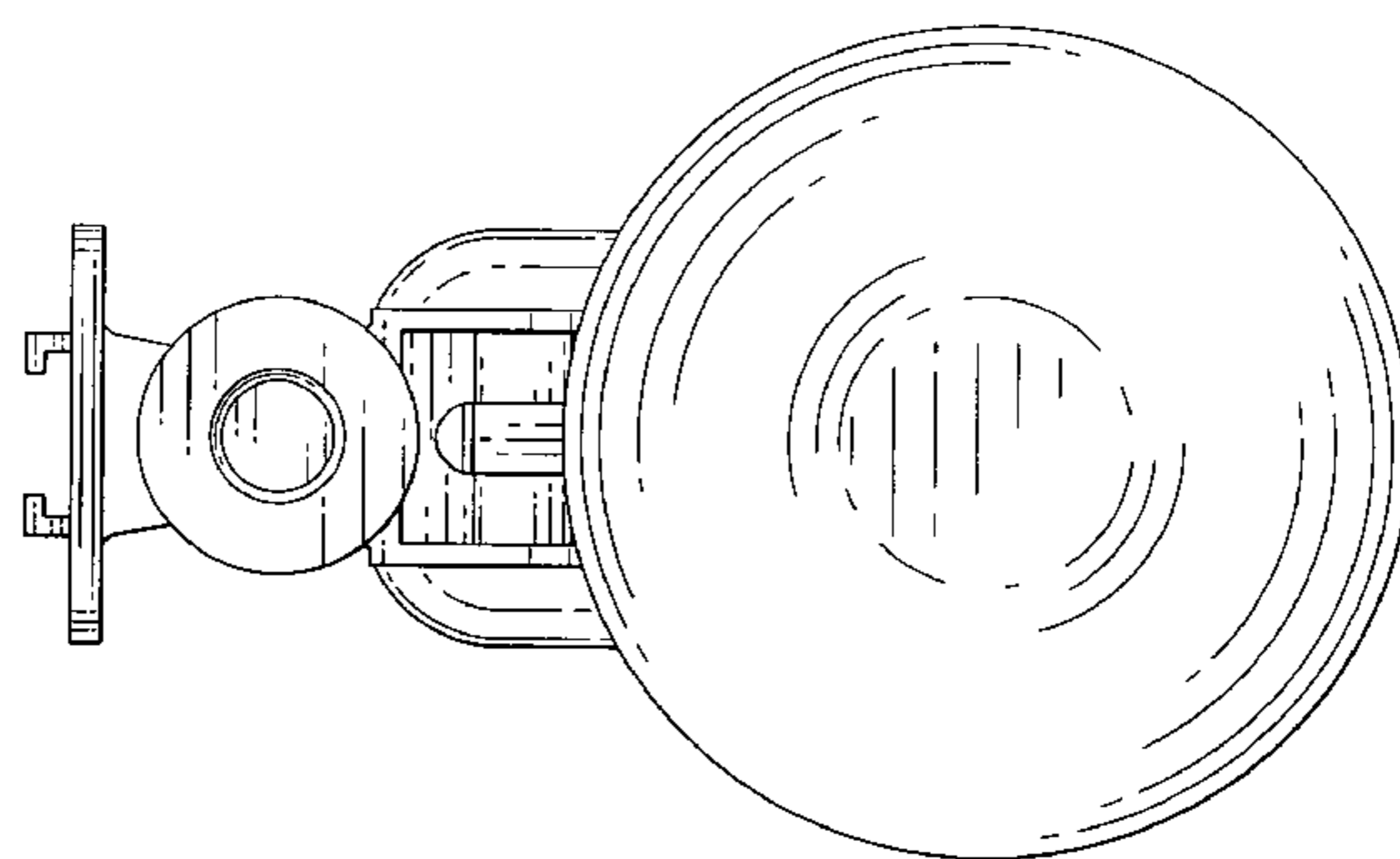
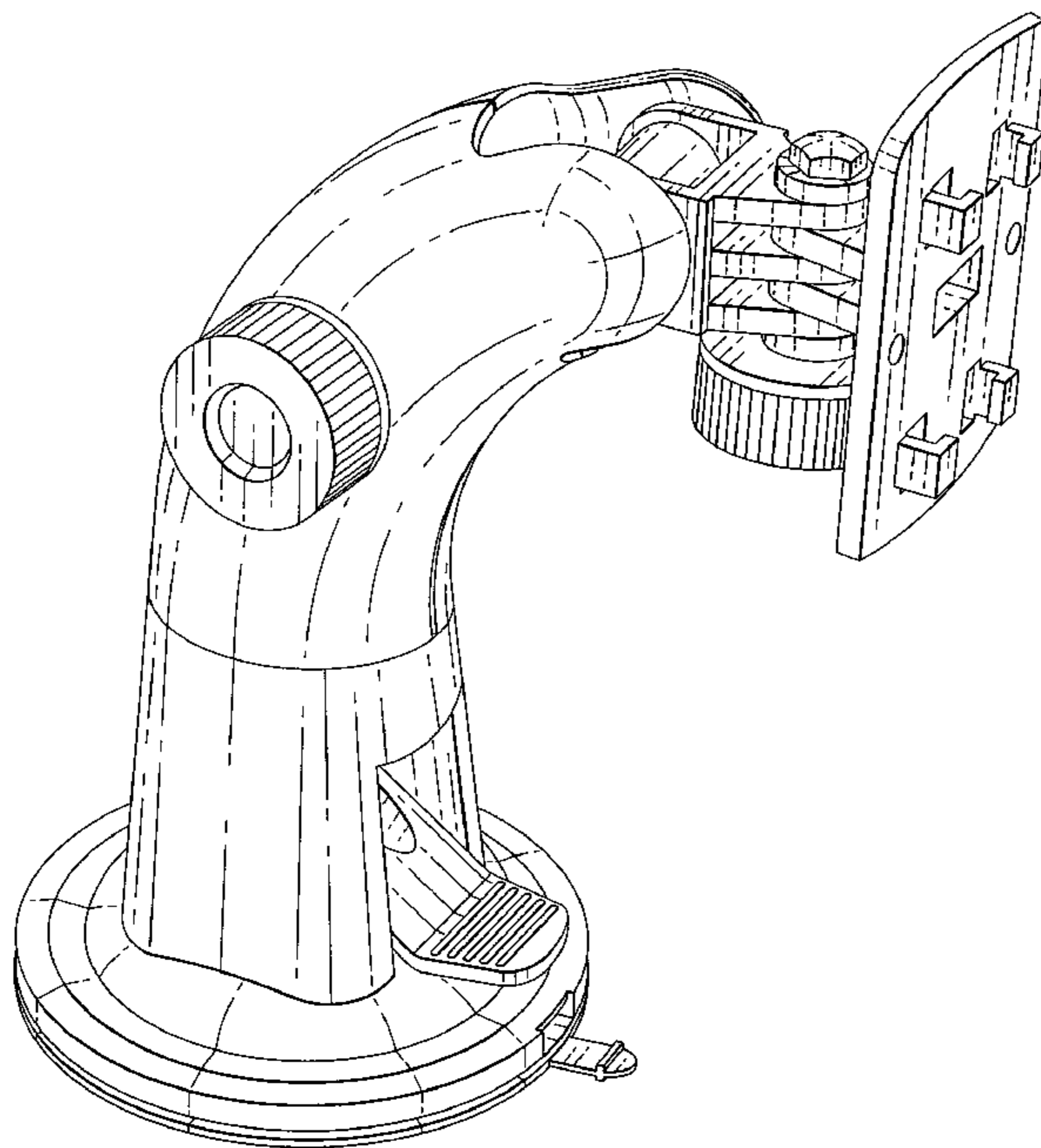
FIG. 4 is a rear view thereof;

FIG. 5 is a front view thereof;

FIG. 6 is a top view thereof; and,

FIG. 7 is a bottom view thereof.

**1 Claim, 6 Drawing Sheets**



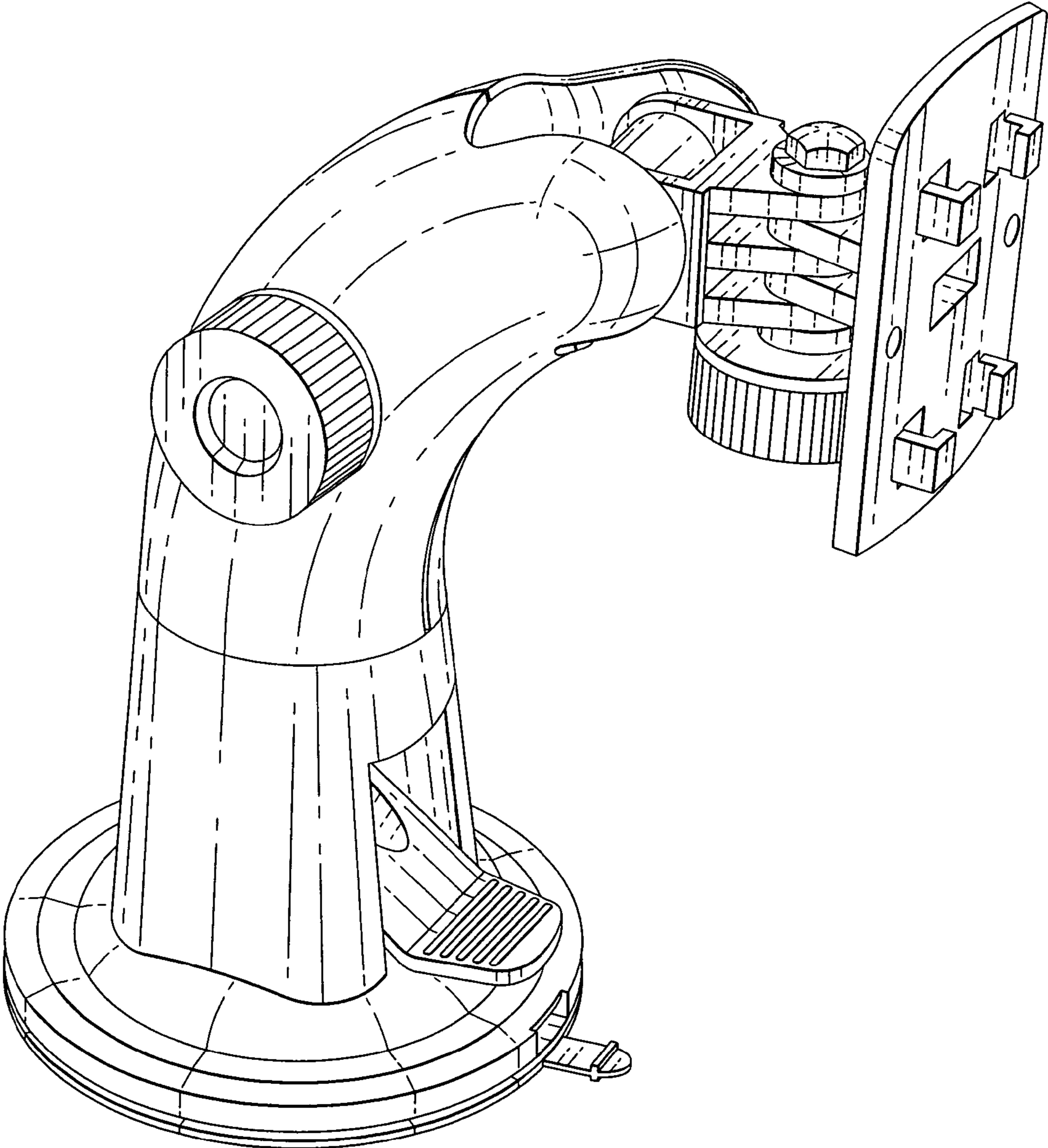


FIG.1

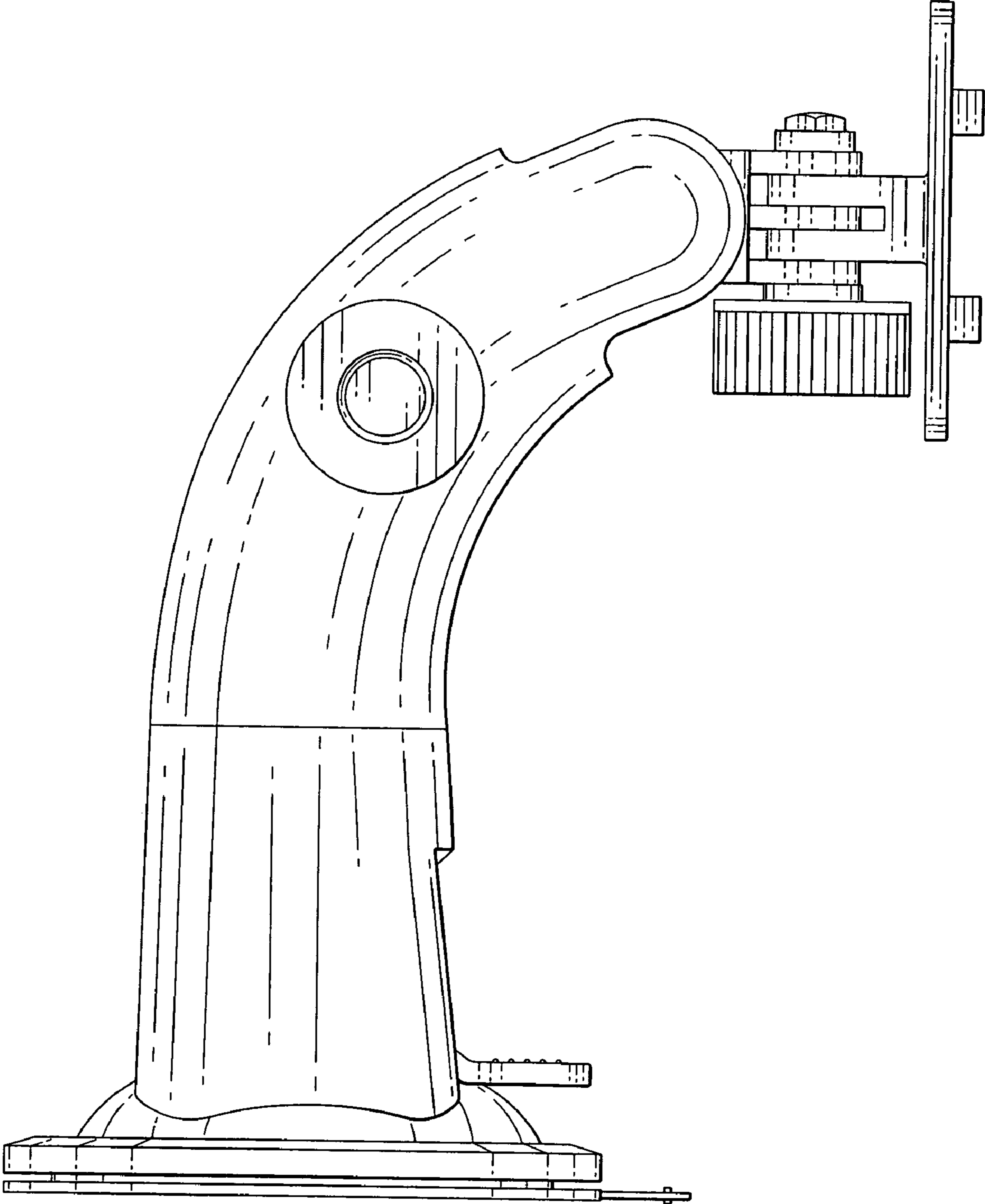


FIG. 2

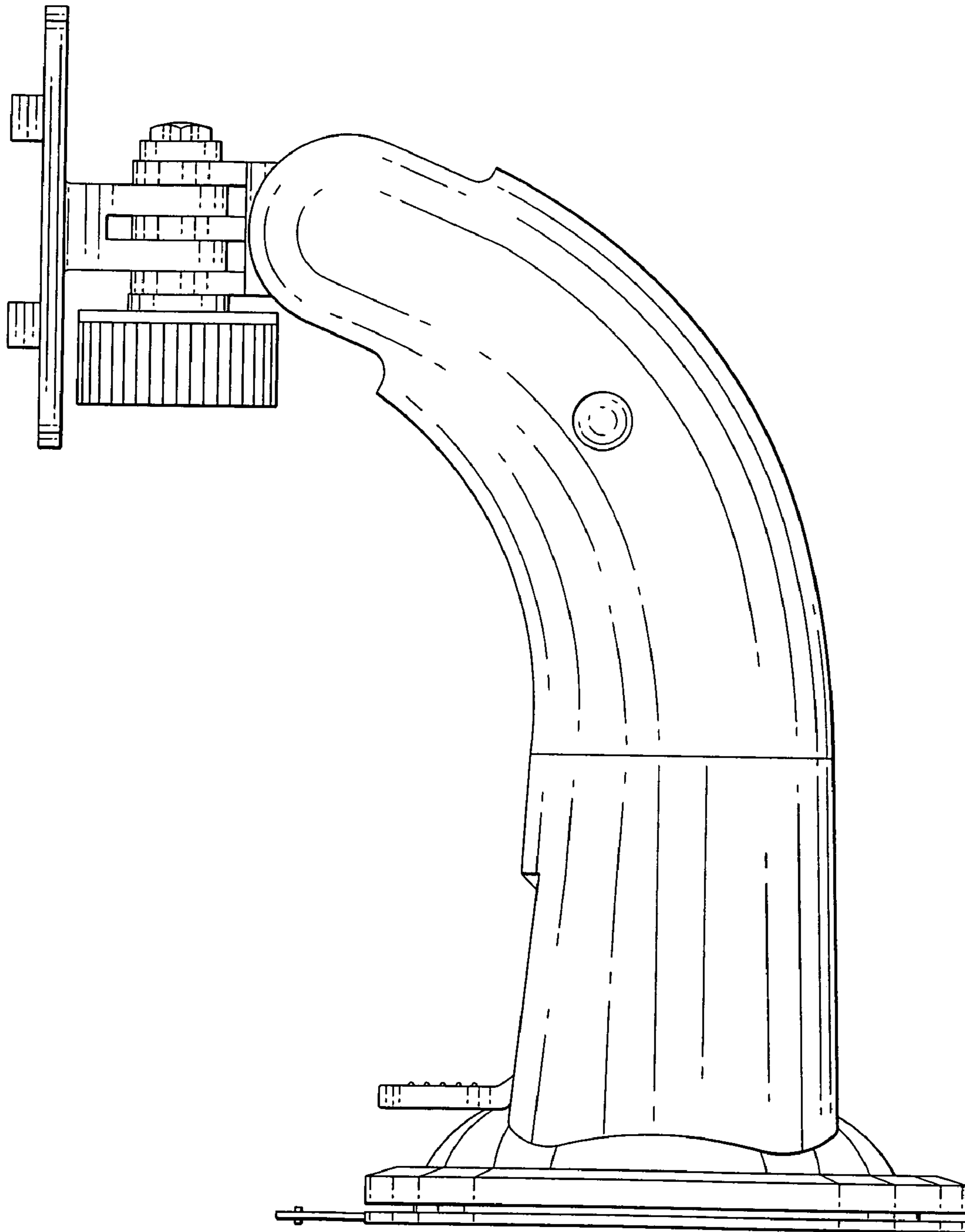


FIG. 3

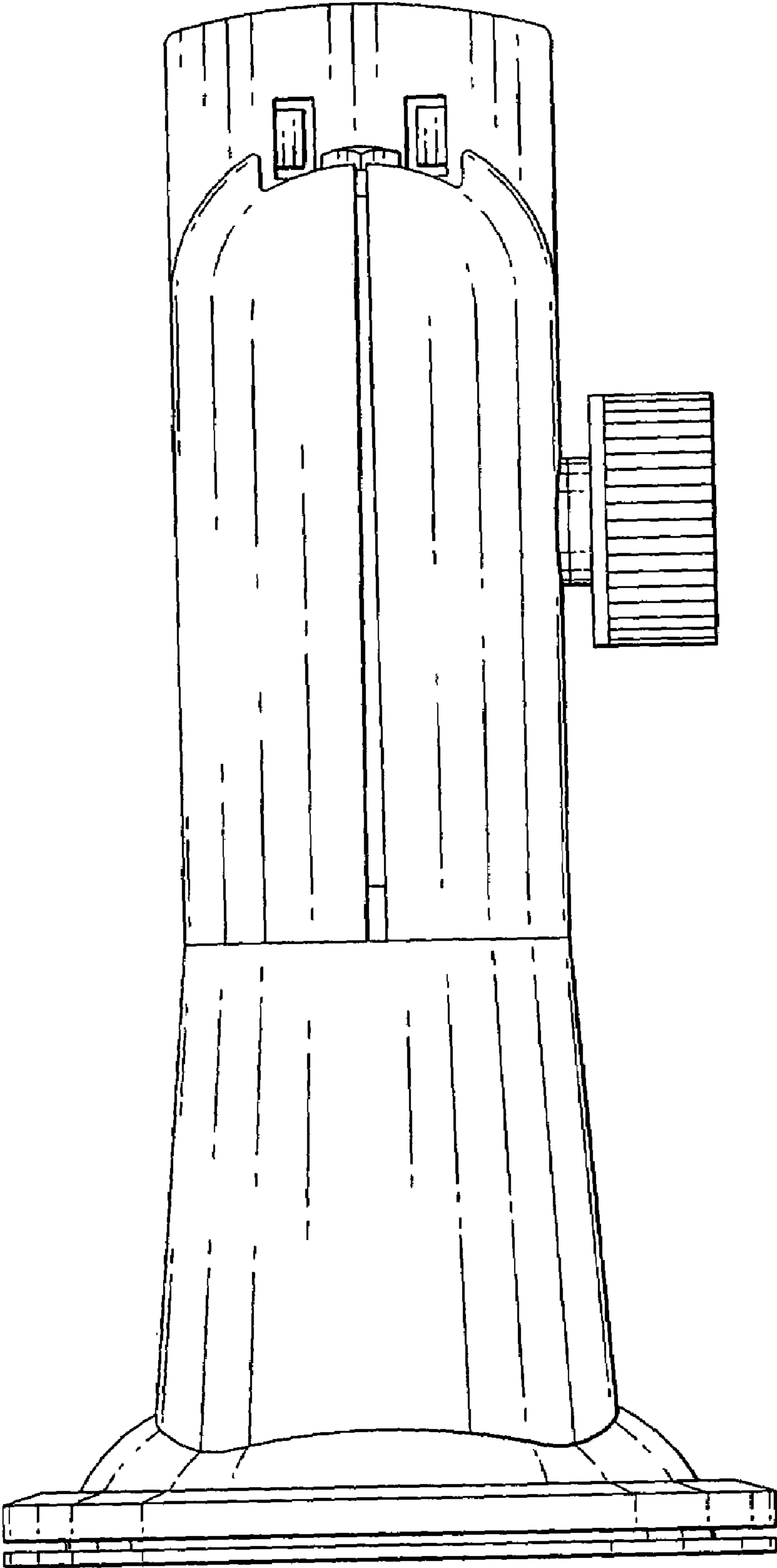


FIG. 4

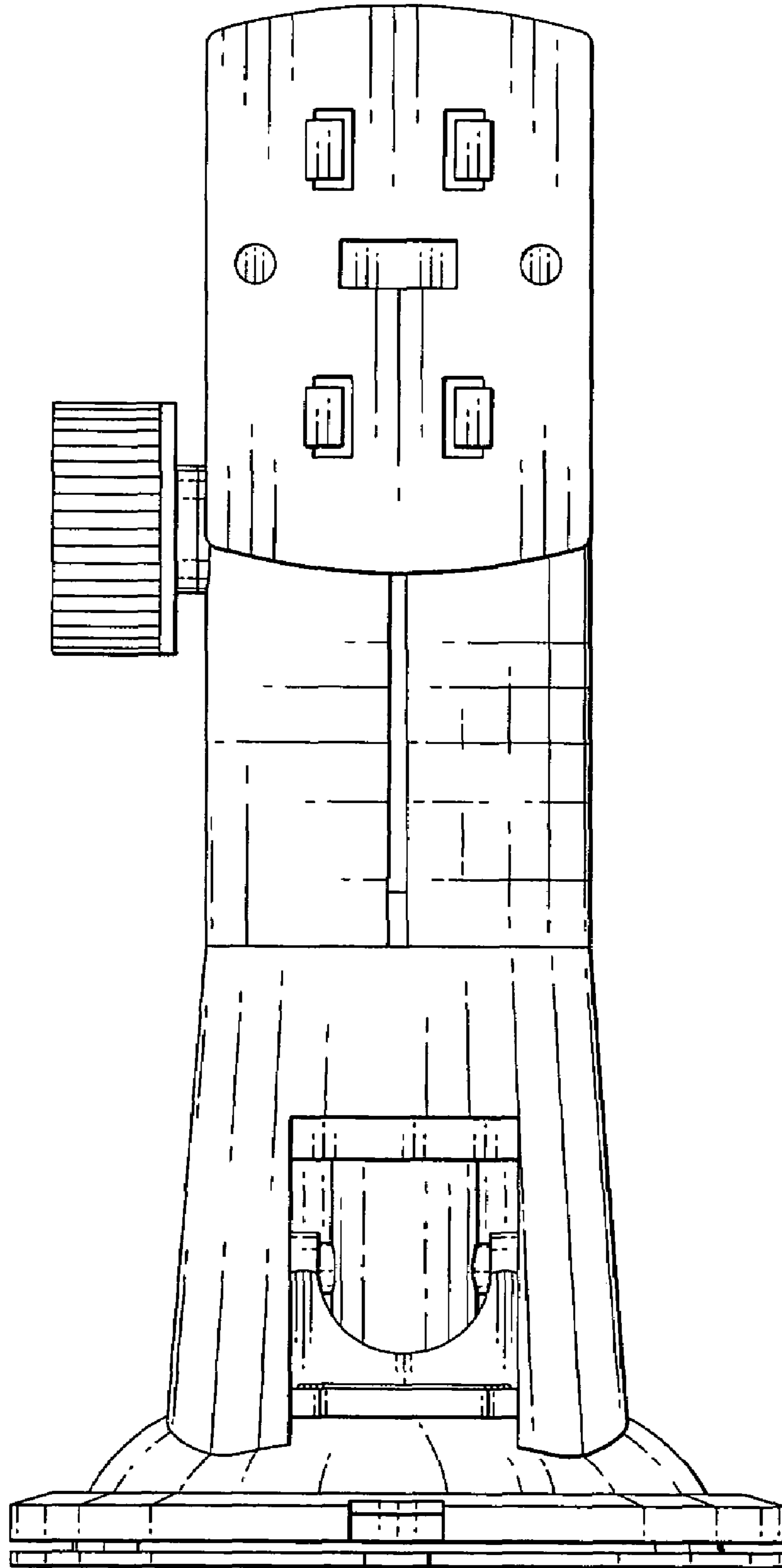


FIG. 5

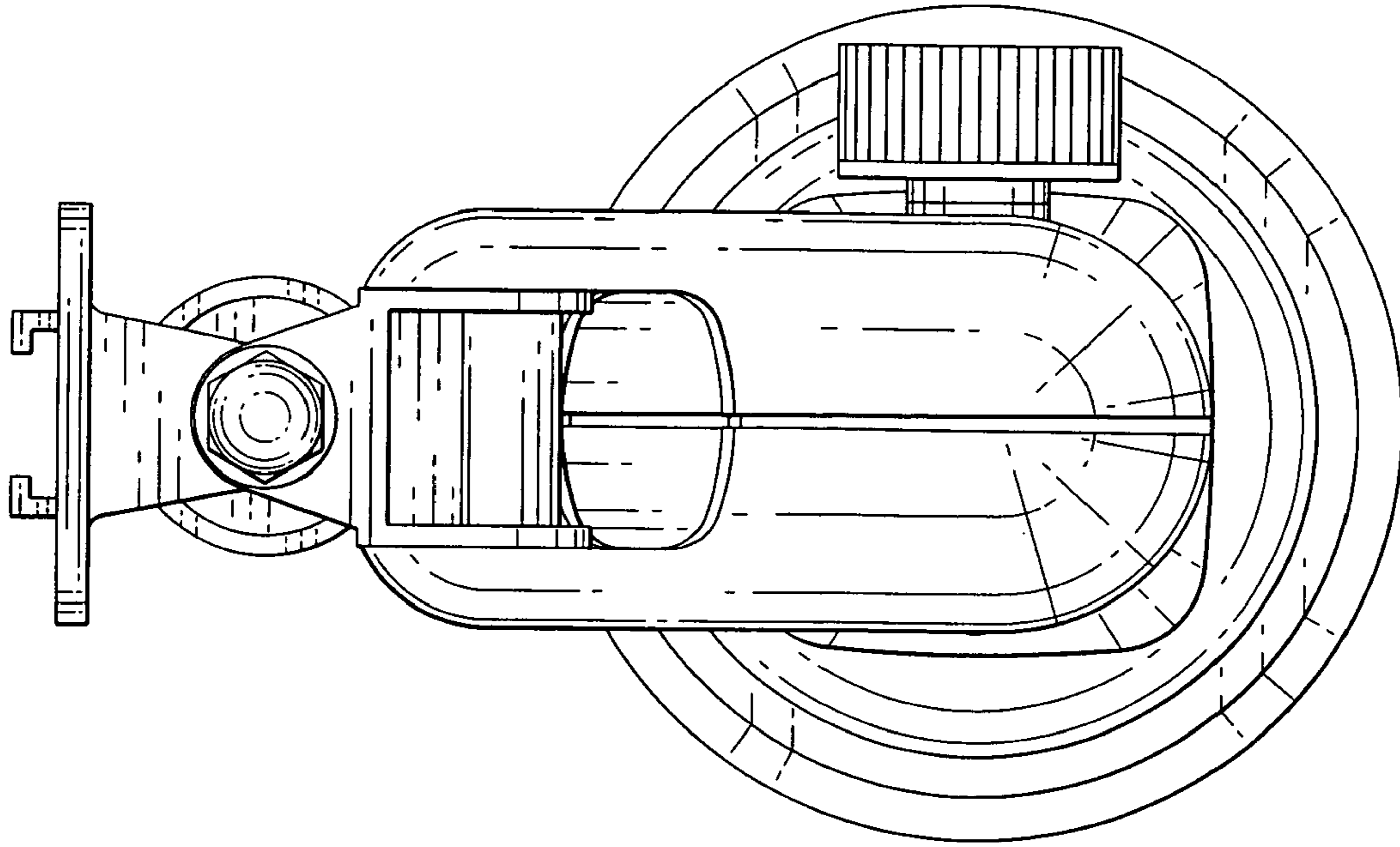


FIG. 6

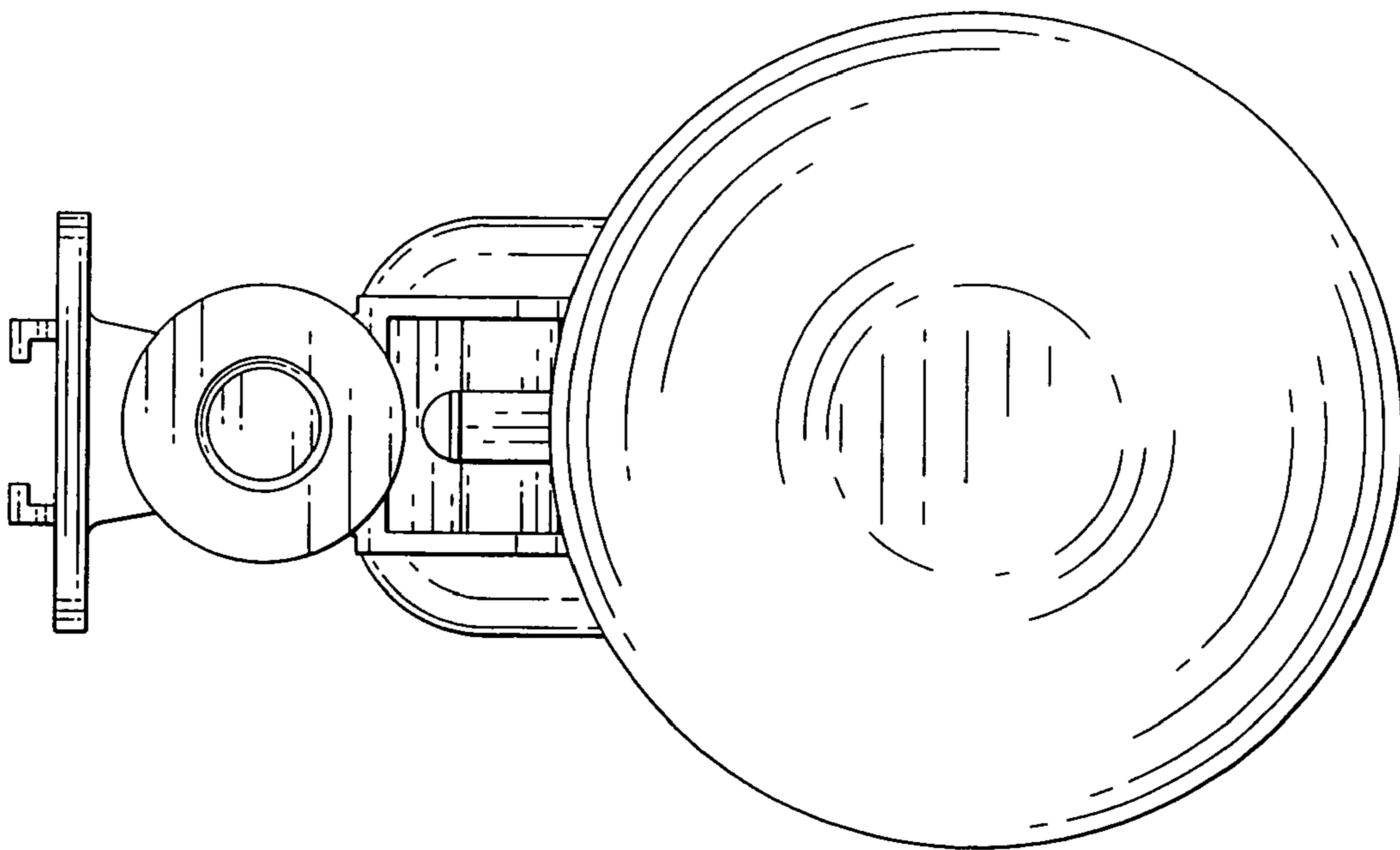


FIG. 7