

US00D545824S

(12) **United States Design Patent**
Chen et al.

(10) **Patent No.:** **US D545,824 S**

(45) **Date of Patent:** **** Jul. 3, 2007**

(54) **COMPUTER FRONT BEZEL**

D466,126 S * 11/2002 Chen et al. D14/446
D516,569 S * 3/2006 Chen et al. D14/444

(75) Inventors: **Yun-Lung Chen**, Shenzhen (CN);
Ning-Bo Pan, Shenzhen (CN)

* cited by examiner

(73) Assignee: **Hon Hai Precision Industry Co., Ltd.**,
Tu-Cheng, Taipei Hsien (TW)

Primary Examiner—Freda S. Nunn
(74) *Attorney, Agent, or Firm*—Wei Te Chung

(**) Term: **14 Years**

(57) **CLAIM**

(21) Appl. No.: **29/257,477**

The ornamental design for a computer front bezel, as shown and described.

(22) Filed: **Apr. 4, 2006**

(30) **Foreign Application Priority Data**

Mar. 14, 2006 (CN) 2006 3 0055297

(51) **LOC (8) Cl.** **14-02**

(52) **U.S. Cl.** **D14/446**

(58) **Field of Classification Search** D14/441-446;
D13/162, 184, 199; 312/223.2; 361/680-686,
361/690-696; 369/34.01, 36.01

See application file for complete search history.

(56) **References Cited**

U.S. PATENT DOCUMENTS

5,169,218 A * 12/1992 Chu 312/223.2
D340,044 S * 10/1993 Chu D14/444
D435,560 S * 12/2000 Jean et al. D14/444

DESCRIPTION

FIG. 1 is a perspective view of a computer front bezel of our new design;

FIG. 2 is a front elevational view thereof;

FIG. 3 is a rear elevational view thereof;

FIG. 4 is a left side elevational view thereof;

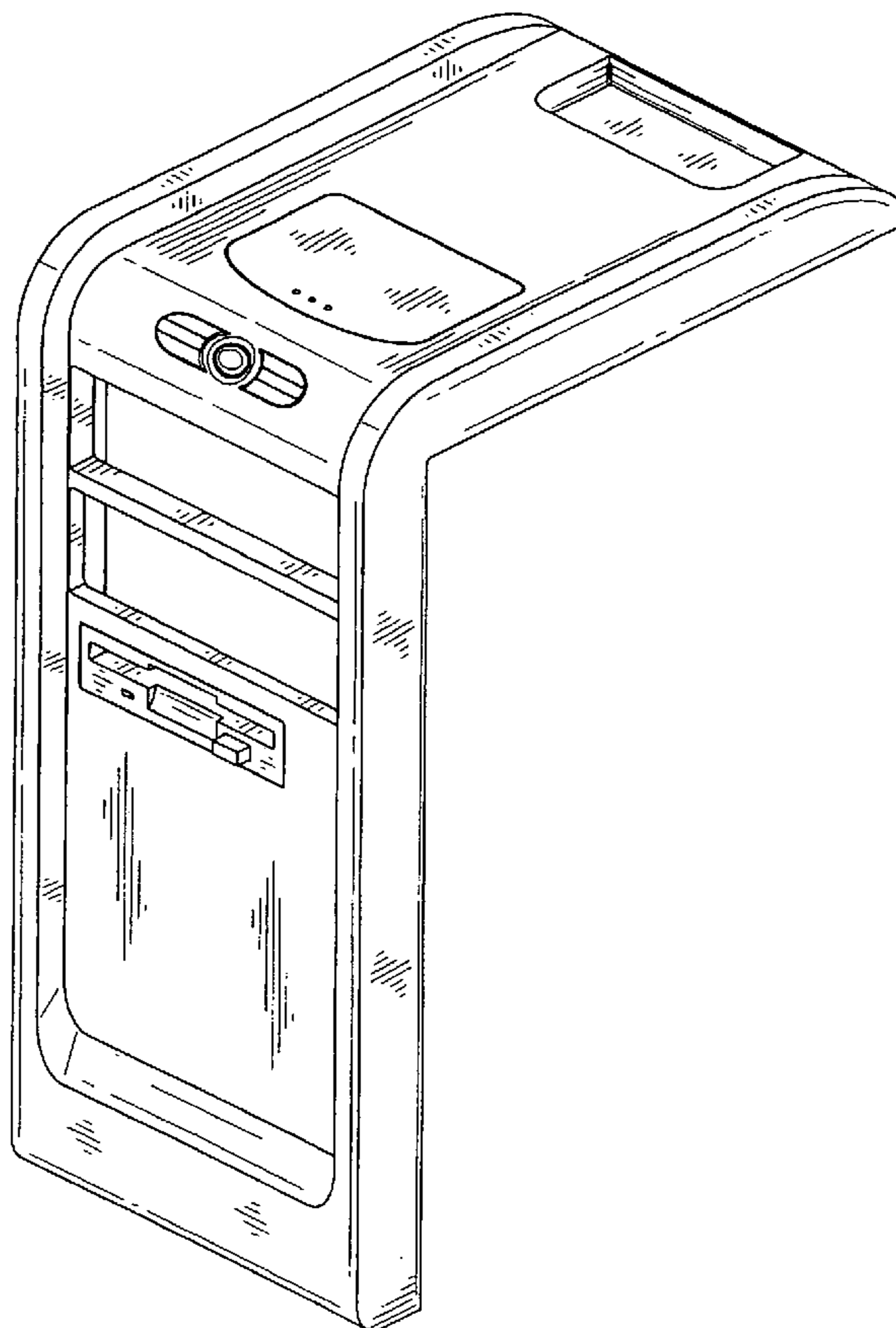
FIG. 5 is a right side elevational view thereof;

FIG. 6 is a top plan view thereof;

FIG. 7 is a bottom plan view thereof; and,

FIG. 8 is a perspective view thereof being mounted to a computer case which is shown in broken lines for illustrative purposes only and forms no part of the claimed design.

1 Claim, 8 Drawing Sheets



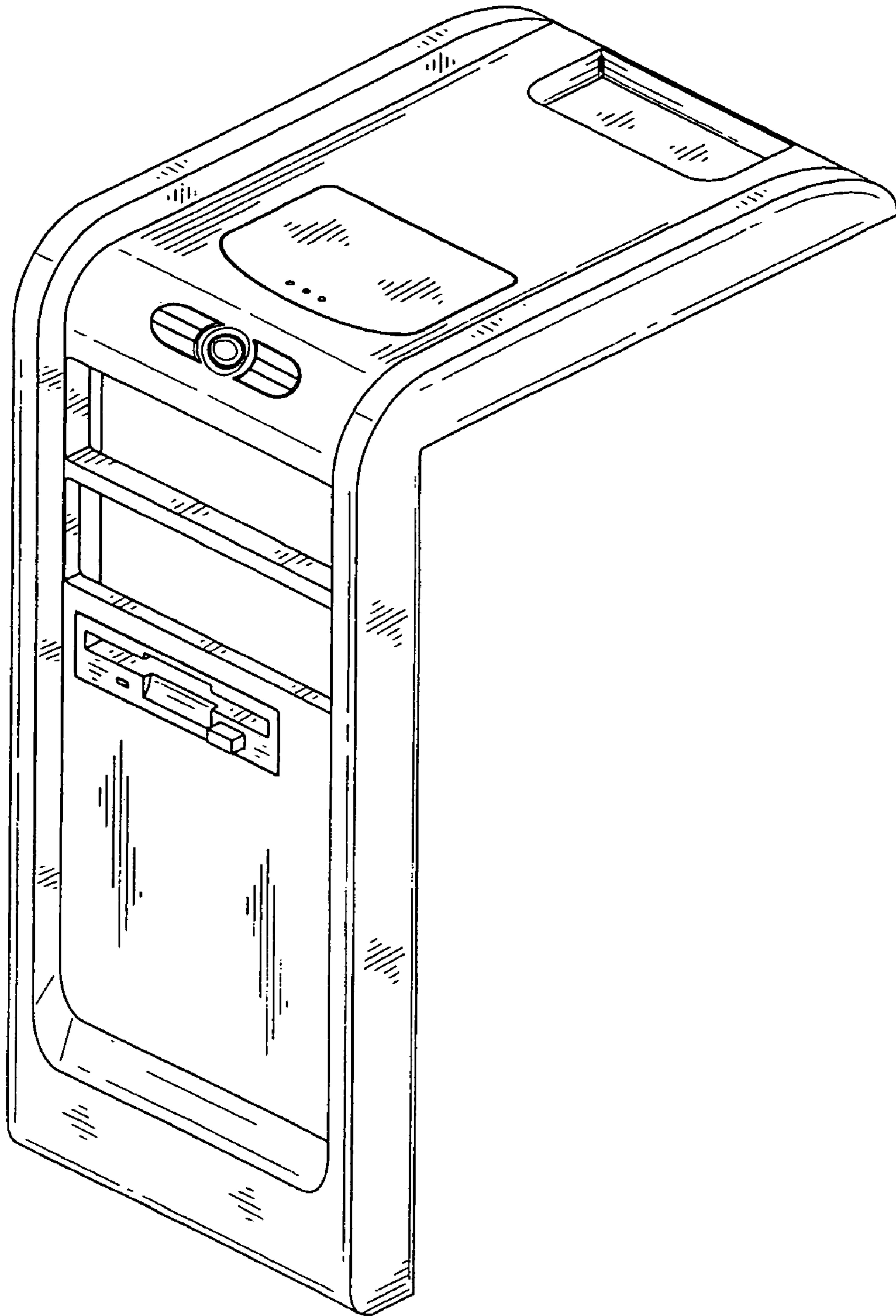


FIG. 1

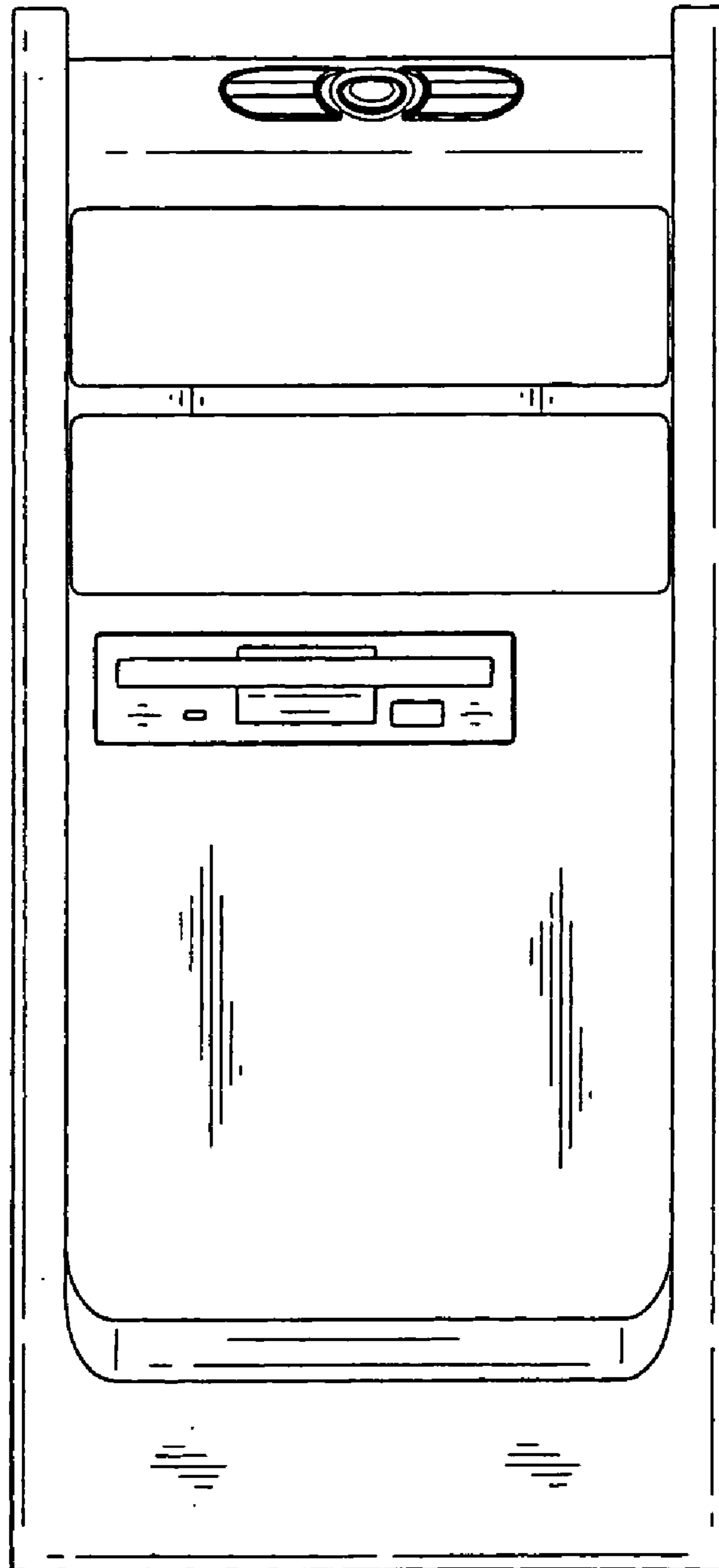


FIG. 2

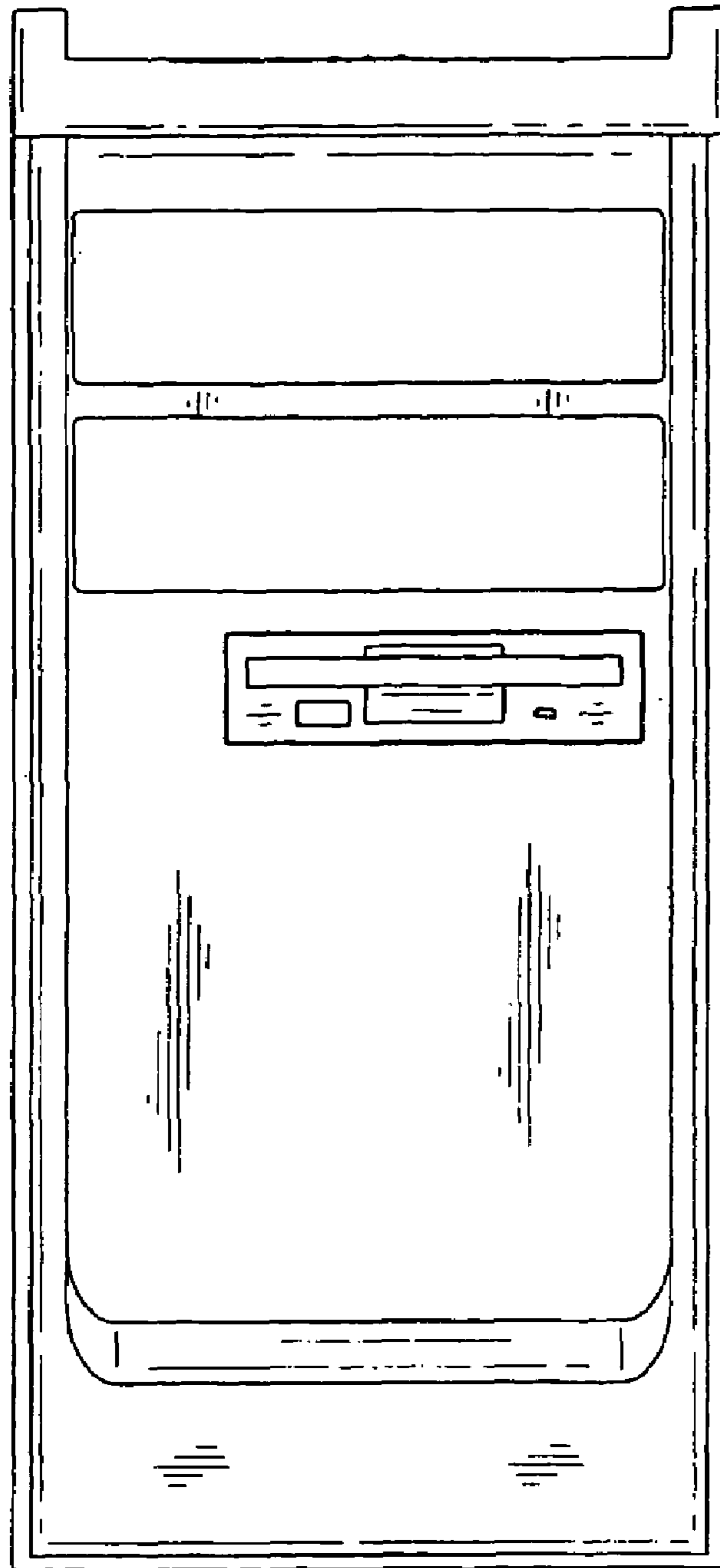


FIG. 3

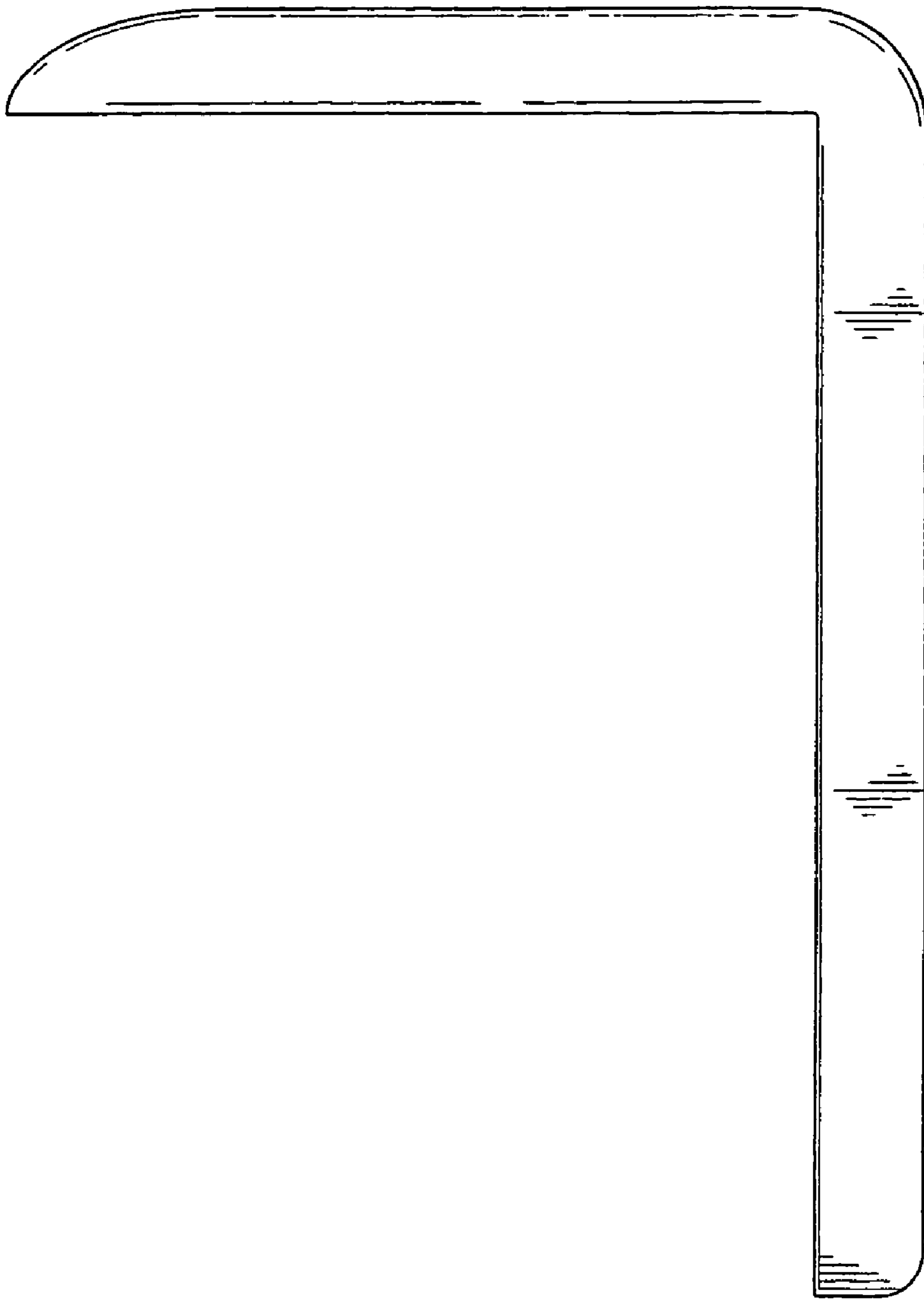


FIG. 4

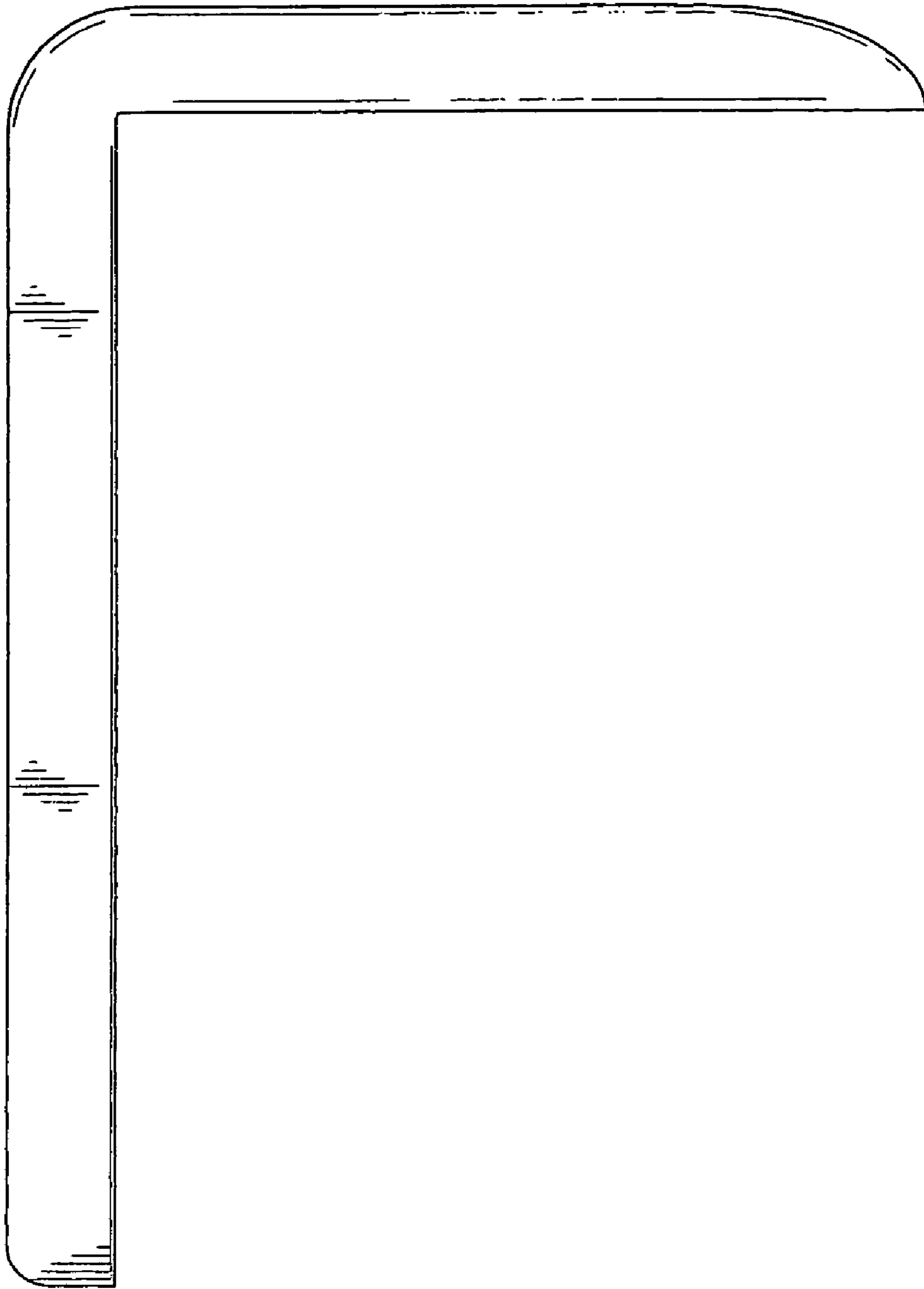


FIG. 5

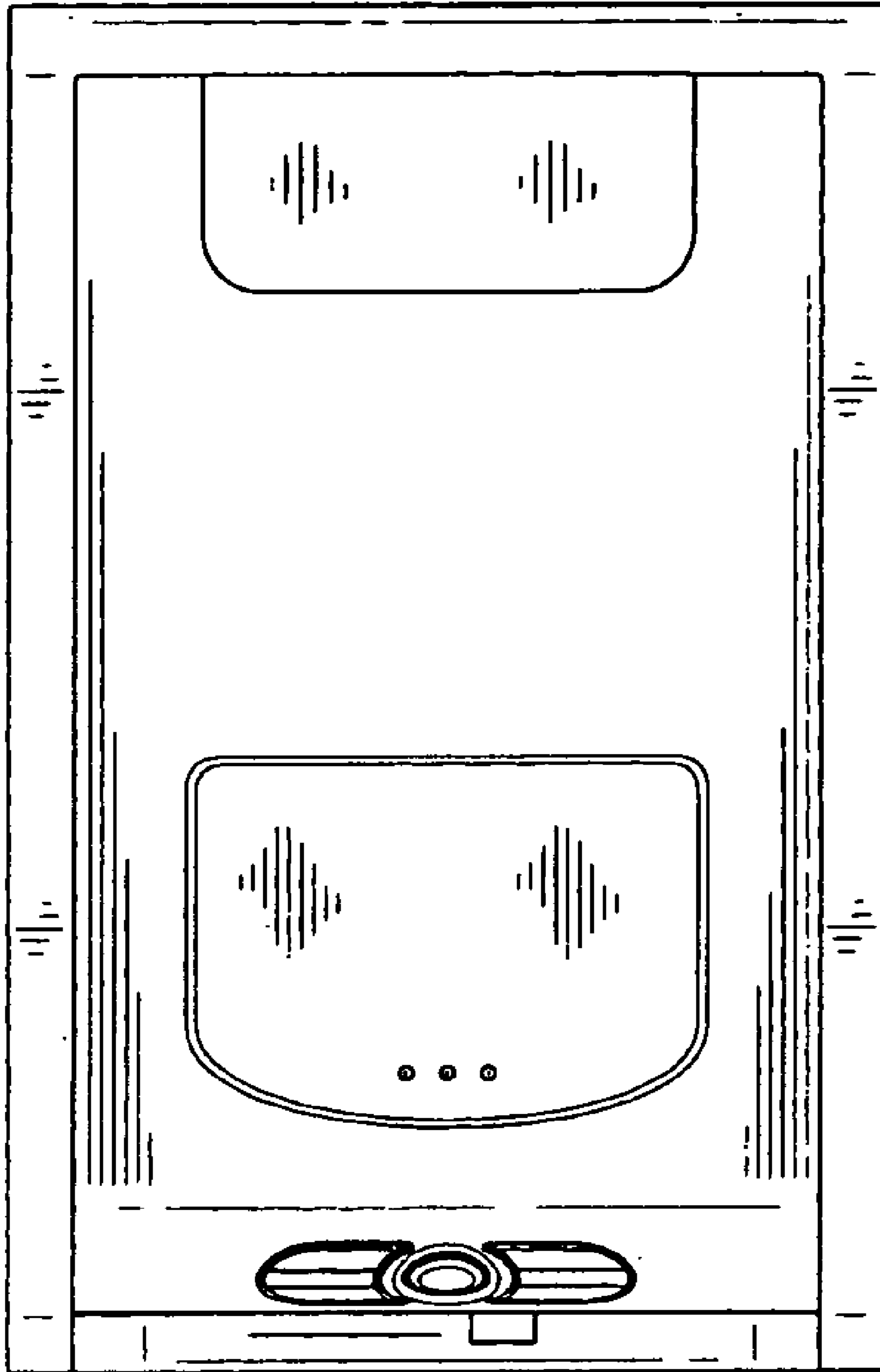


FIG. 6

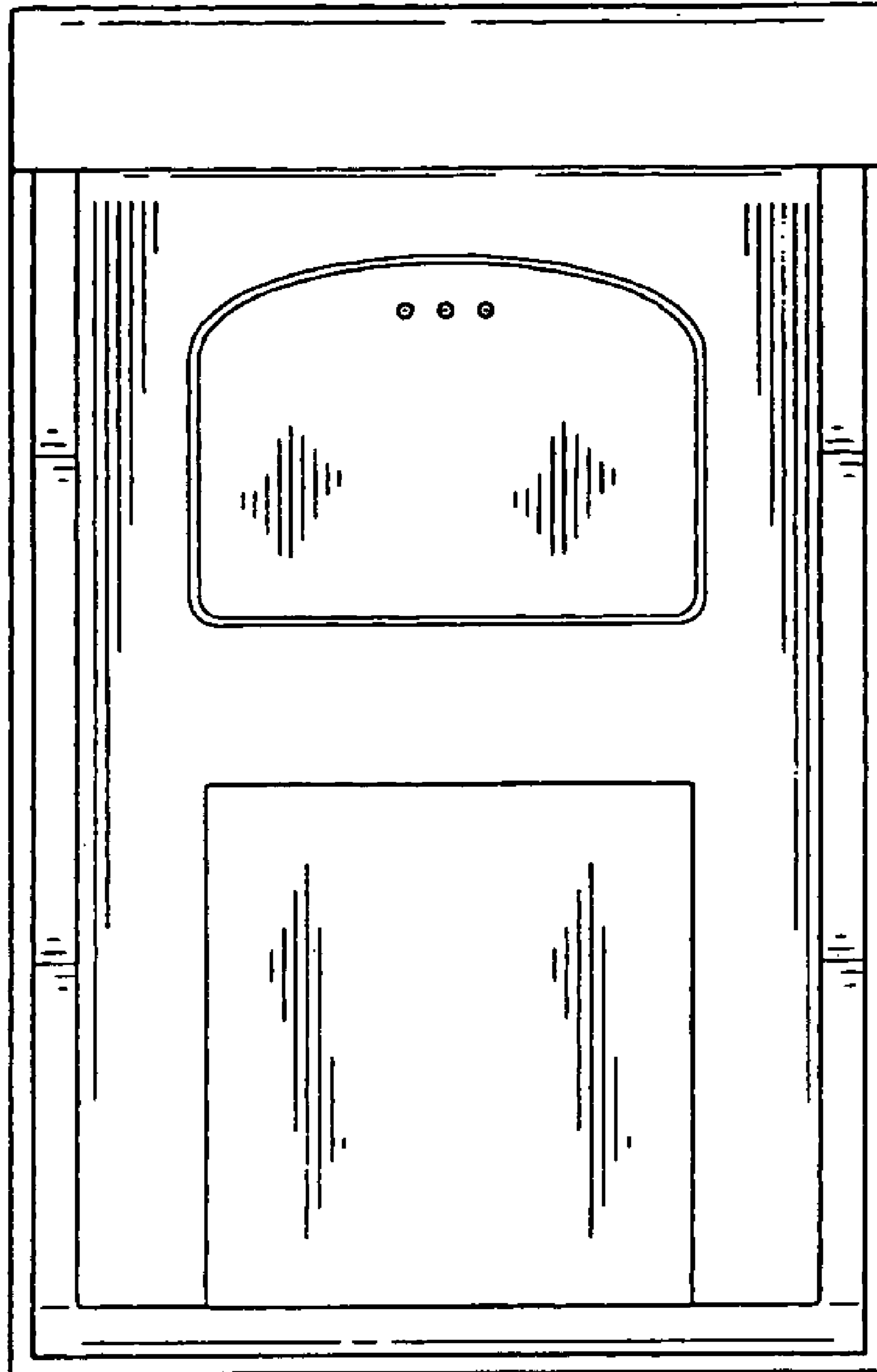


FIG. 7

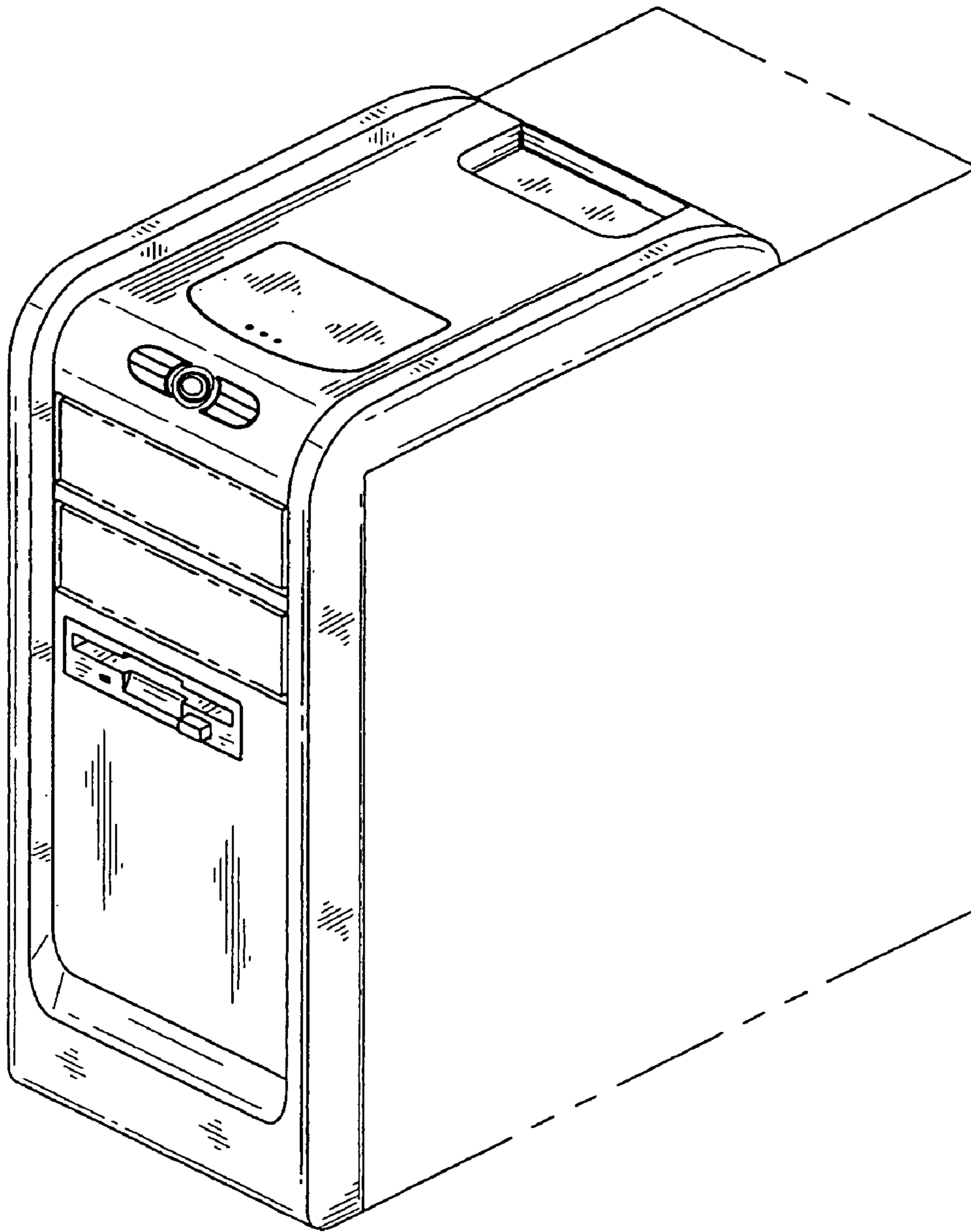


FIG. 8