



US00D545823S

(12) **United States Design Patent**  
**Cornelius, III et al.**

(10) **Patent No.:** **US D545,823 S**

(45) **Date of Patent:** **\*\* Jul. 3, 2007**

(54) **PANEL FOR A RACK-MOUNTED SERVER**

(75) Inventors: **Edward Cornelius, III**, San Francisco, CA (US); **June Lee**, San Francisco, CA (US); **Christopher H. Frank**, San Jose, CA (US); **James M. Stanton**, San Francisco, CA (US); **Andrew Tosh**, Arlington, MA (US); **Philip G. Yurkonis**, Campbell, CA (US); **Sarah T. Aquino**, Newark, CA (US); **Denise Silverman**, San Carlos, CA (US)

(73) Assignee: **Sun Microsystems, Inc.**, Santa Clara, CA (US)

(\*\*) Term: **14 Years**

(21) Appl. No.: **29/227,855**

(22) Filed: **Apr. 15, 2005**

(51) **LOC (8) Cl.** ..... **14-02**

(52) **U.S. Cl.** ..... **D14/441**

(58) **Field of Classification Search** ..... D14/441-446, D14/301, 313; D13/162, 184, 199; 312/223.1-223.3; 361/680-686, 690-696, 727  
See application file for complete search history.

(56) **References Cited**

**U.S. PATENT DOCUMENTS**

D447,483 S \* 9/2001 Wu ..... D14/441

D460,457 S \* 7/2002 Caughlan et al. .... D14/445  
D460,963 S \* 7/2002 Mautz et al. .... D14/313  
D476,986 S \* 7/2003 Andre et al. .... D14/313  
6,614,651 B2 \* 9/2003 Chi et al. .... 361/683  
D500,503 S \* 1/2005 Wood et al. .... D14/444  
2003/0002261 A1 \* 1/2003 Berry et al. .... 361/727  
2003/0102785 A1 \* 6/2003 Tsai et al. .... 312/223.1

\* cited by examiner

*Primary Examiner*—Freda S. Nunn

(74) *Attorney, Agent, or Firm*—Osha Liang LLP

(57) **CLAIM**

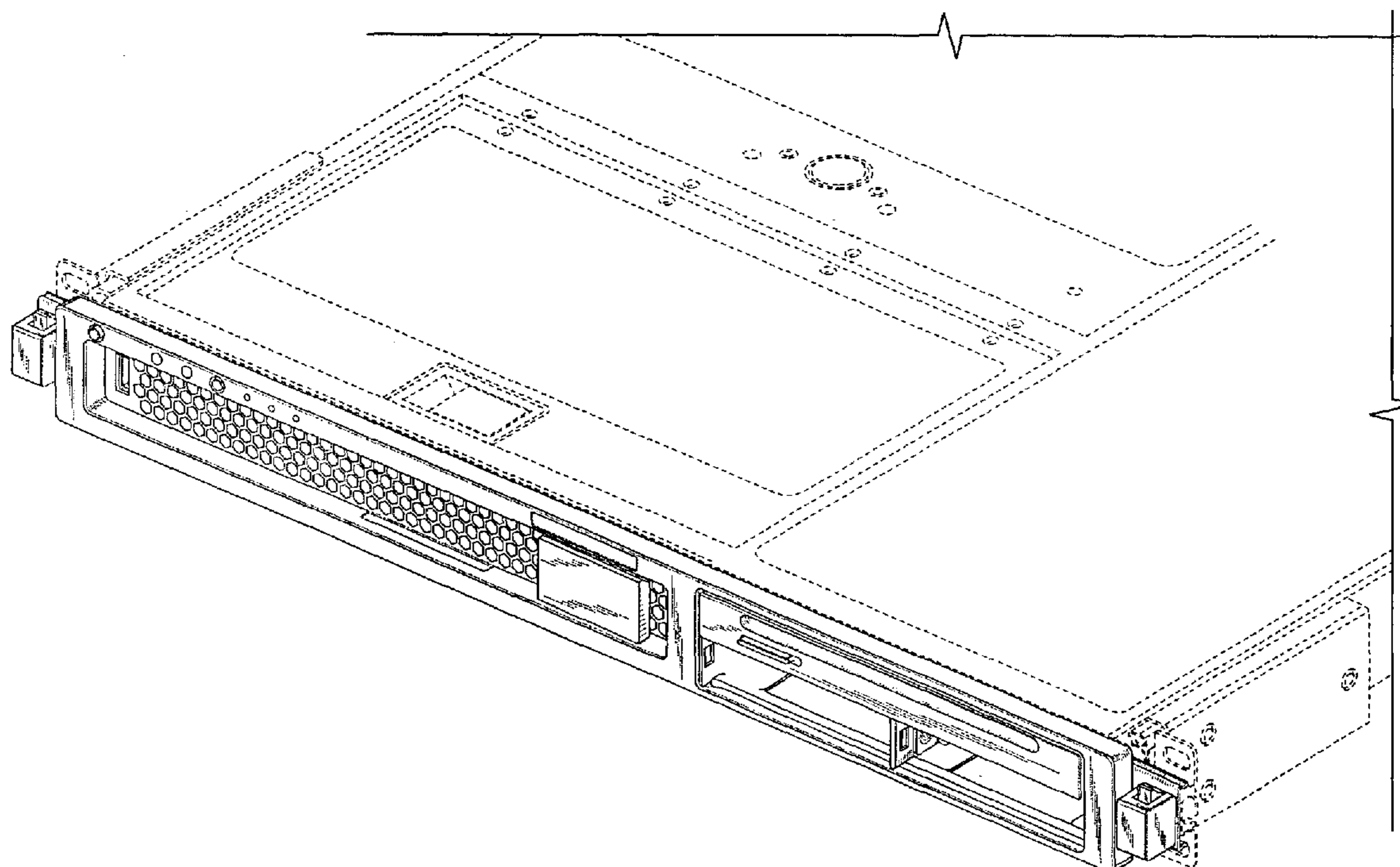
The ornamental design for a panel for a rack-mounted server, as shown and described.

**DESCRIPTION**

FIG. 1 shows a front-top perspective view of a panel for a rack-mounted server, wherein the broken lines are shown for illustrative purposes only and form no part of the claimed design; and,

FIG. 2 shows a front view thereof.

**1 Claim, 2 Drawing Sheets**



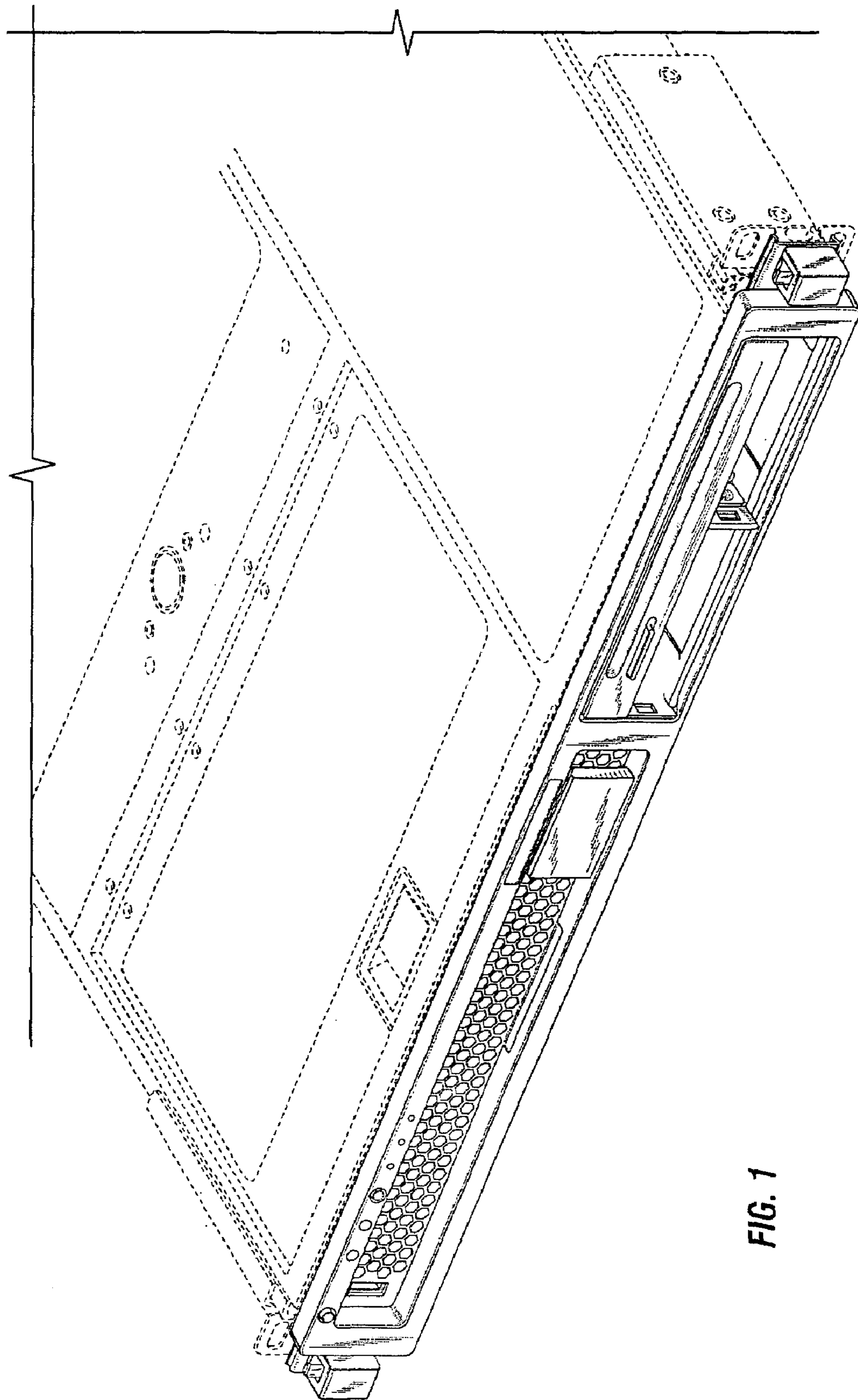


FIG. 1

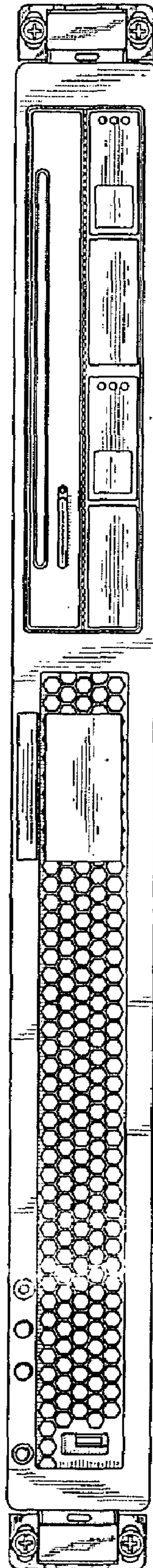


FIG. 2