

US00D545822S

(12) **United States Design Patent**
Murakami

(10) **Patent No.:** **US D545,822 S**
(45) **Date of Patent:** **** Jul. 3, 2007**

(54) **COMBINED MOUSE AND TELEPHONE**

D484,882 S * 1/2004 Wu D14/407

(75) Inventor: **Tomonari Murakami**, Tokyo (JP)

FOREIGN PATENT DOCUMENTS

(73) Assignee: **Sony Corporation**, Tokyo (JP)

JP 2004-147272 A 5/2004

(**) Term: **14 Years**

OTHER PUBLICATIONS

(21) Appl. No.: **29/258,285**

Web page "Cyber phone K" http://tenat.depart.liverdoor.com/t/prog_outlet/feature_content?id=1185, 3 sheets, Pro-goulet (Feb. 2006).

(22) Filed: **Apr. 20, 2006**

* cited by examiner

(30) **Foreign Application Priority Data**

Primary Examiner—Pamela J. Burgess

Nov. 16, 2005 (JP) 2005-033802

(74) *Attorney, Agent, or Firm*—Rader, Fishman & Grauer PLLC

(51) **LOC (8) Cl.** **14-02**

(57) **CLAIM**

(52) **U.S. Cl.** **D14/407; D14/402**

(58) **Field of Classification Search** D14/402-410;
11/117; 235/472.01; 345/156-167; 365/49;
463/36-38; 200/5 A, 5 R, 6 A, 6 R; 273/148 B
See application file for complete search history.

The ornamental design for a combined mouse and telephone, as shown.

(56) **References Cited**

DESCRIPTION

U.S. PATENT DOCUMENTS

- D284,284 S * 6/1986 Manock et al. D14/407
- D301,142 S * 5/1989 Chu D14/407
- D305,331 S * 1/1990 Esslinger D14/407
- D340,923 S * 11/1993 Tso D14/407
- D380,463 S * 7/1997 Wu D14/407
- D460,071 S * 7/2002 Sheehan et al. D14/402
- 6,636,198 B1 * 10/2003 Gross et al. 345/157
- D483,764 S 12/2003 Masamitsu et al.

FIG. 1 is a perspective view of a combined mouse and telephone showing my new design;

FIG. 2 is a front elevational view thereof;

FIG. 3 is a rear elevational view thereof;

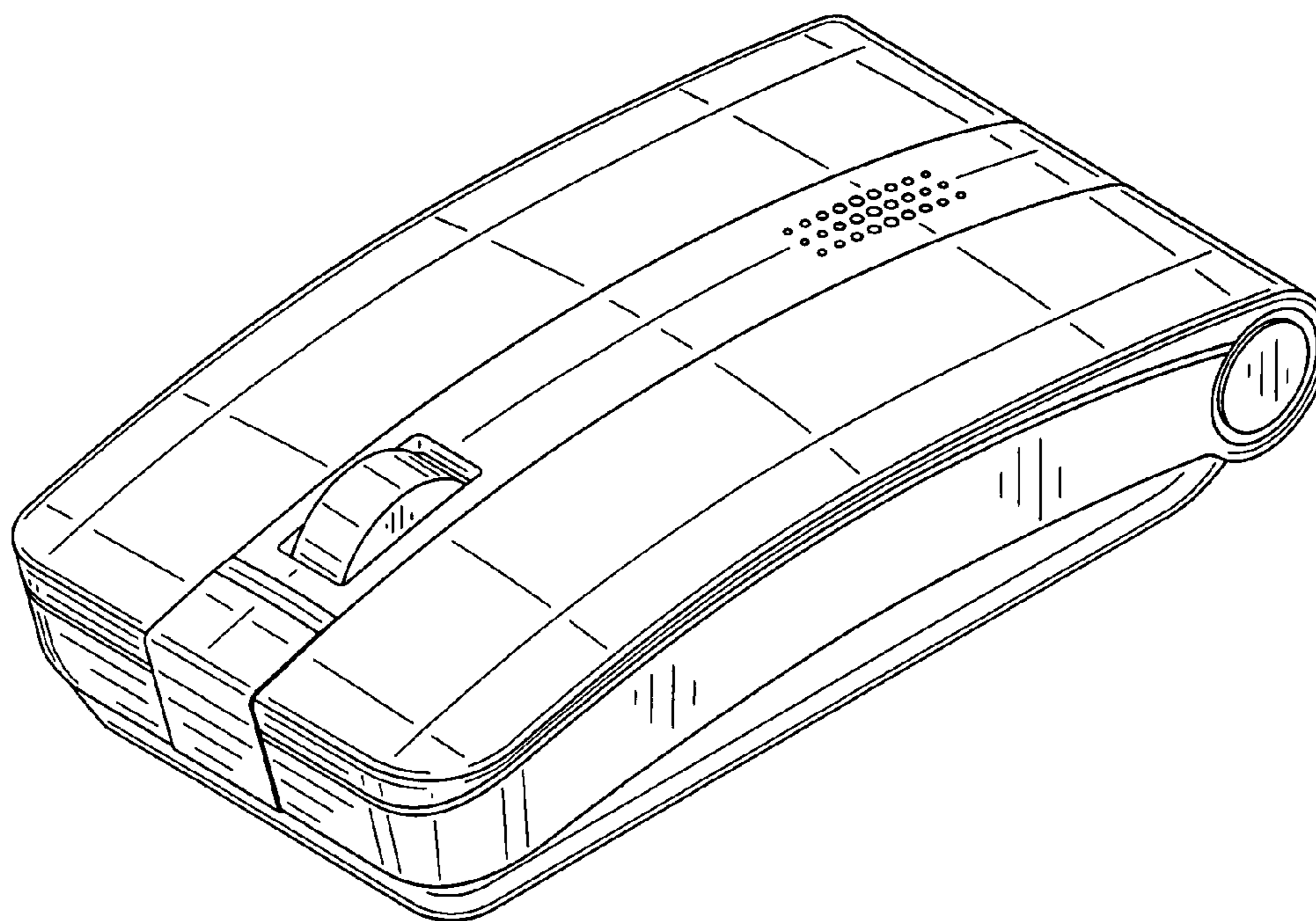
FIG. 4 is a left side elevational view thereof;

FIG. 5 is a right side elevational view thereof;

FIG. 6 is a top plan view thereof; and,

FIG. 7 is a bottom plan view thereof.

1 Claim, 7 Drawing Sheets



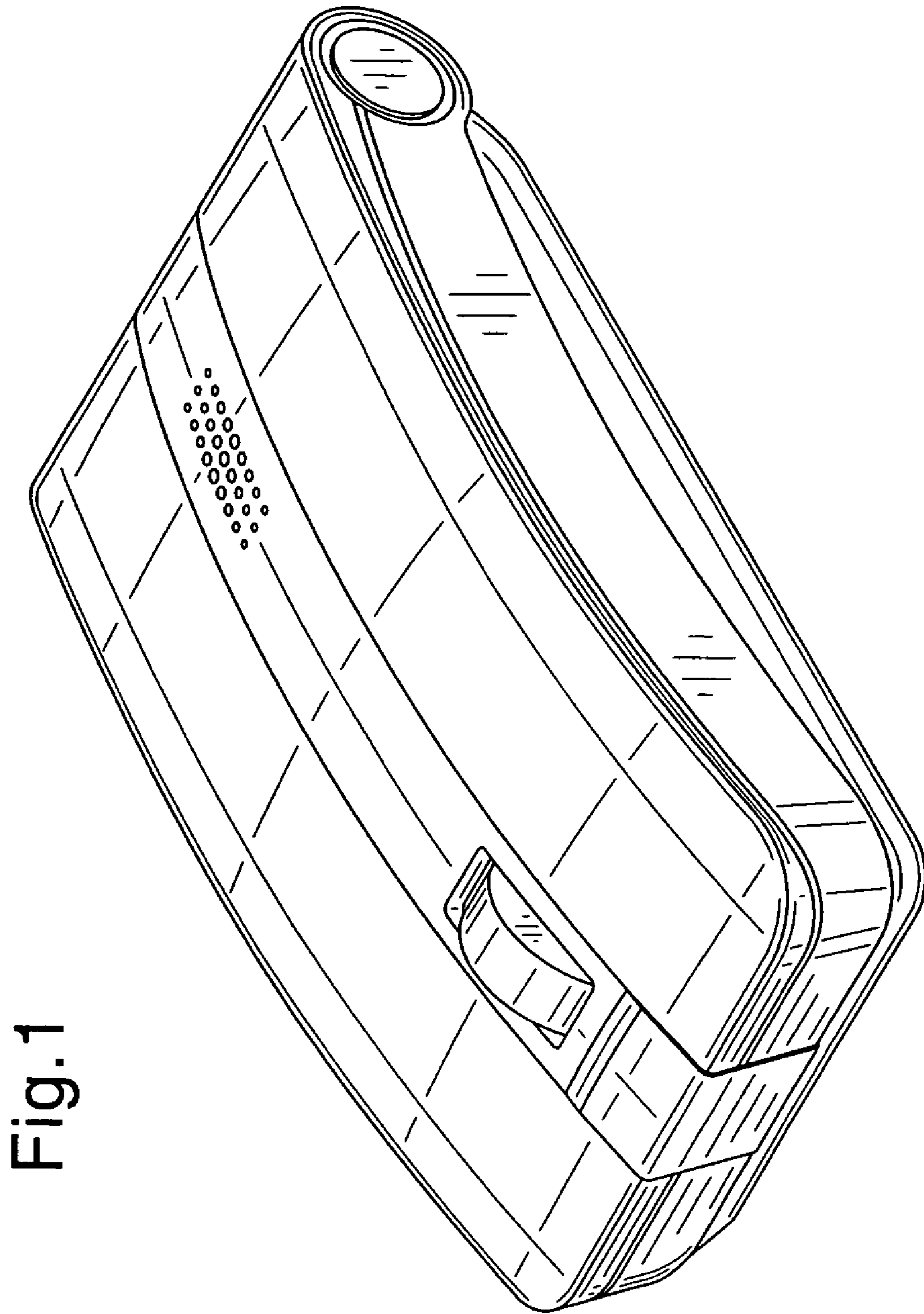


Fig. 1

Fig.2

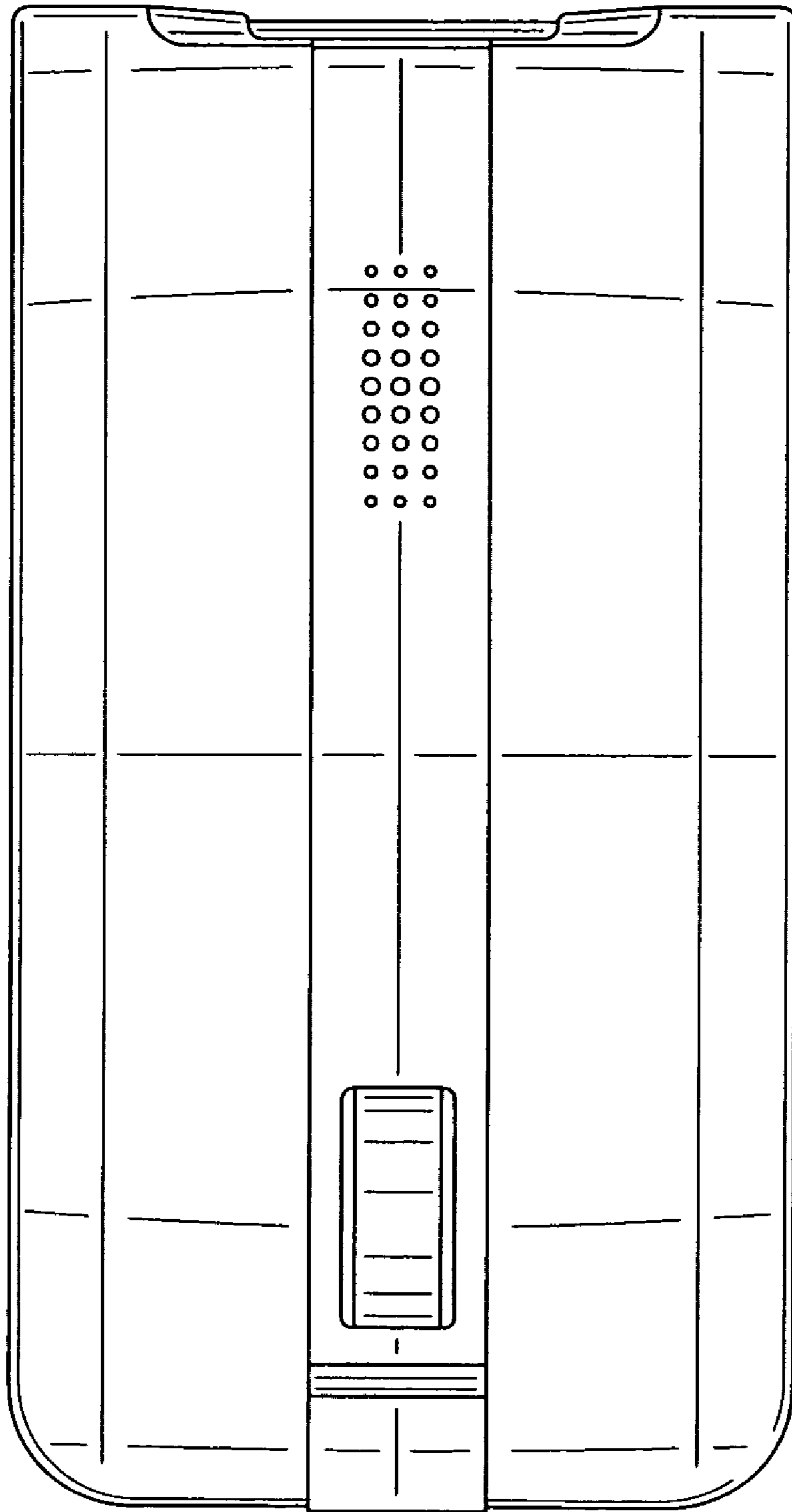


Fig.3

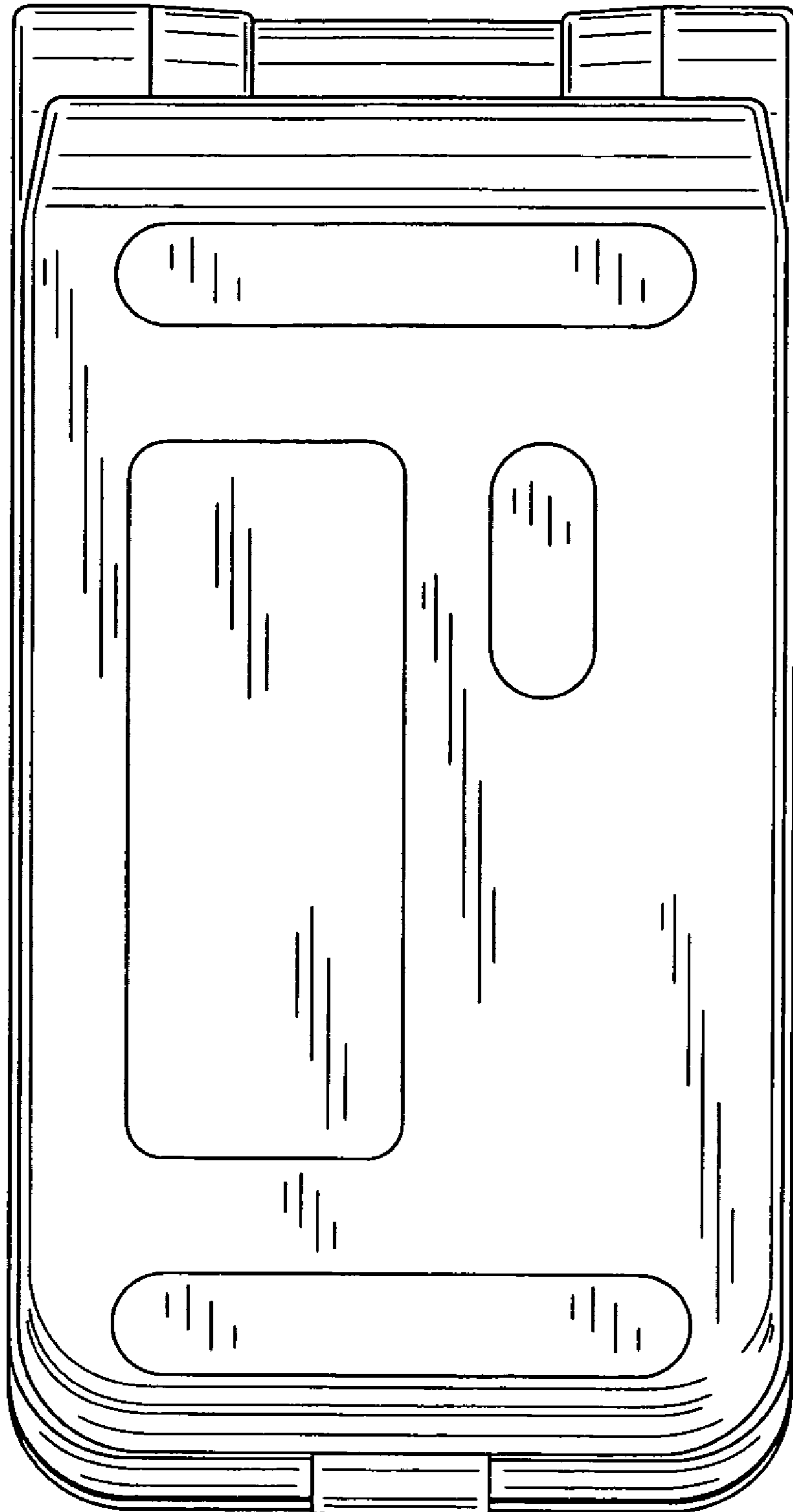


Fig.4



Fig.5

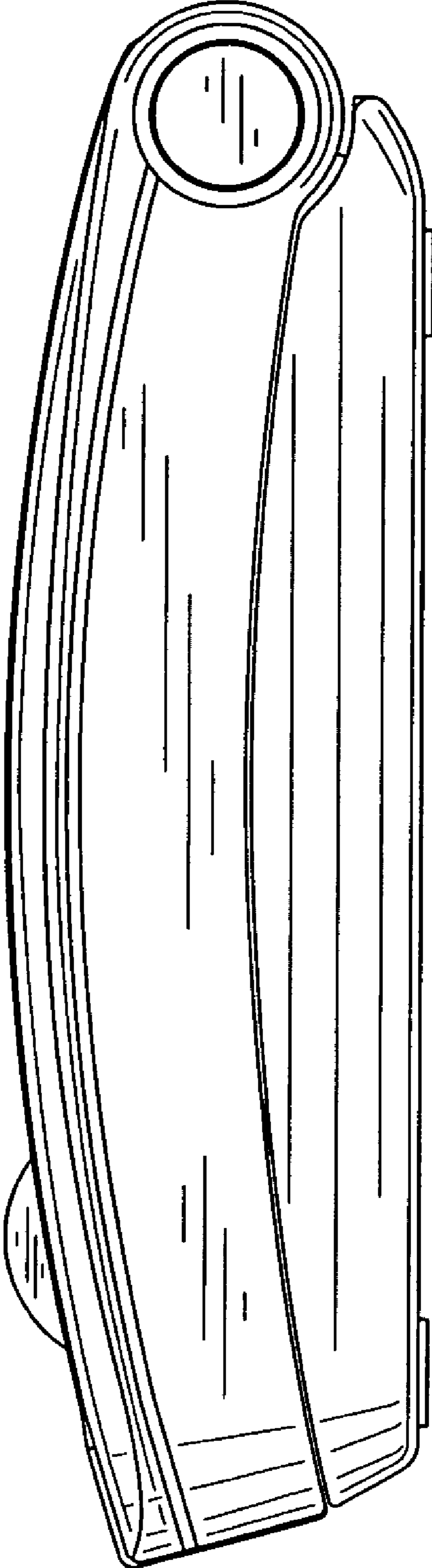


Fig.6

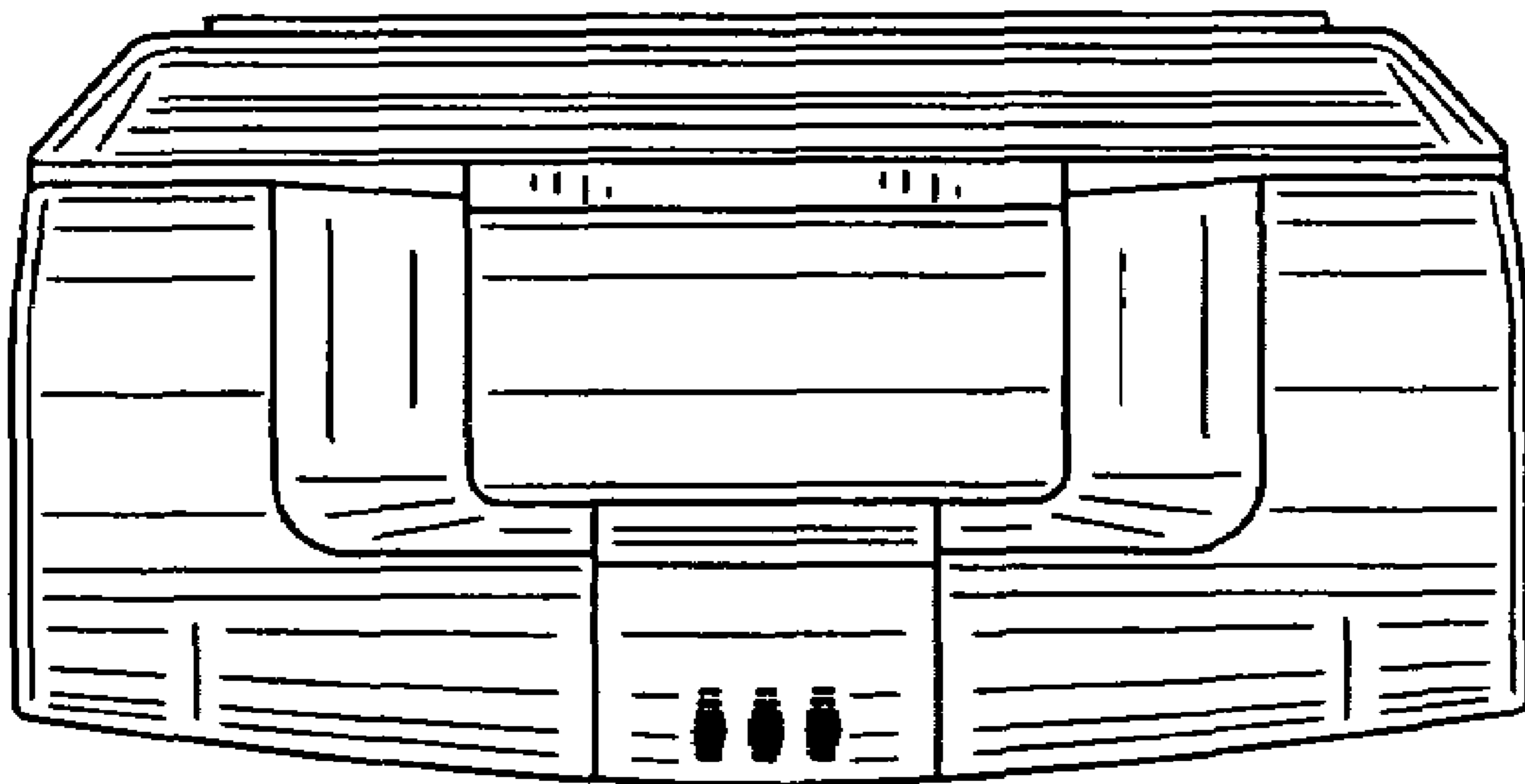


Fig.7

