

US00D545815S

(12) **United States Design Patent**  
**Quilling, II**

(10) **Patent No.:** **US D545,815 S**

(45) **Date of Patent:** **\*\* Jul. 3, 2007**

(54) **ISO/DIN AUTO STEREO MOUNTING  
DEVICE**

(75) **Inventor:** **R. Spencer Quilling, II**, Deland, FL  
(US)

(73) **Assignee:** **Metra Electronics Corp.**, Holly Hill,  
FL (US)

(\*\*) **Term:** **14 Years**

(21) **Appl. No.:** **29/264,829**

(22) **Filed:** **Aug. 18, 2006**

(51) **LOC (8) Cl.** ..... **14-01**

(52) **U.S. Cl.** ..... **D14/258**

(58) **Field of Classification Search** ..... D14/445,  
D14/260.1, 258, 257, 224, 217, 198, 197,  
D14/196, 195, 194, 193, 192, 188, 168, 167,  
D14/156, 136, 191, 157; D12/415, 420;  
455/344, 350, 347; 248/27.3, 27.1, 558  
See application file for complete search history.

(56) **References Cited**

**U.S. PATENT DOCUMENTS**

D482,024 S	*	11/2003	Quilling et al.	.....	D14/224
D483,027 S	*	12/2003	Quilling et al.	.....	D14/224
D485,260 S	*	1/2004	Quilling et al.	.....	D14/224
D488,462 S	*	4/2004	Quilling et al.	.....	D14/224
D492,668 S	*	7/2004	Quilling, II	.....	D14/224
D496,354 S	*	9/2004	Quilling, II	.....	D14/224
D501,852 S	*	2/2005	Quilling, II	.....	D14/258

D503,400 S	*	3/2005	Quilling, II	.....	D14/258
D503,401 S	*	3/2005	Quilling, II	.....	D14/258
D504,423 S	*	4/2005	Quilling, II	.....	D14/258
D505,672 S	*	5/2005	Quilling	.....	D14/224
D507,791 S	*	7/2005	Quilling, II	.....	D14/224
D513,508 S	*	1/2006	Quilling, II	.....	D14/258

\* cited by examiner

*Primary Examiner*—Cathron C. Brooks

*Assistant Examiner*—Austin Murphy

(74) *Attorney, Agent, or Firm*—John Wiley Horton

(57) **CLAIM**

The ornamental design for an “ISO/DIN auto stereo mounting device”, as shown and described.

**DESCRIPTION**

FIG. 1 is a perspective view of an ISO/DIN auto stereo mounting device, showing my design;

FIG. 2 is a front elevation view of FIG. 1;

FIG. 3 is a rear elevation view of FIG. 1;

FIG. 4 is a right side elevation view of FIG. 1;

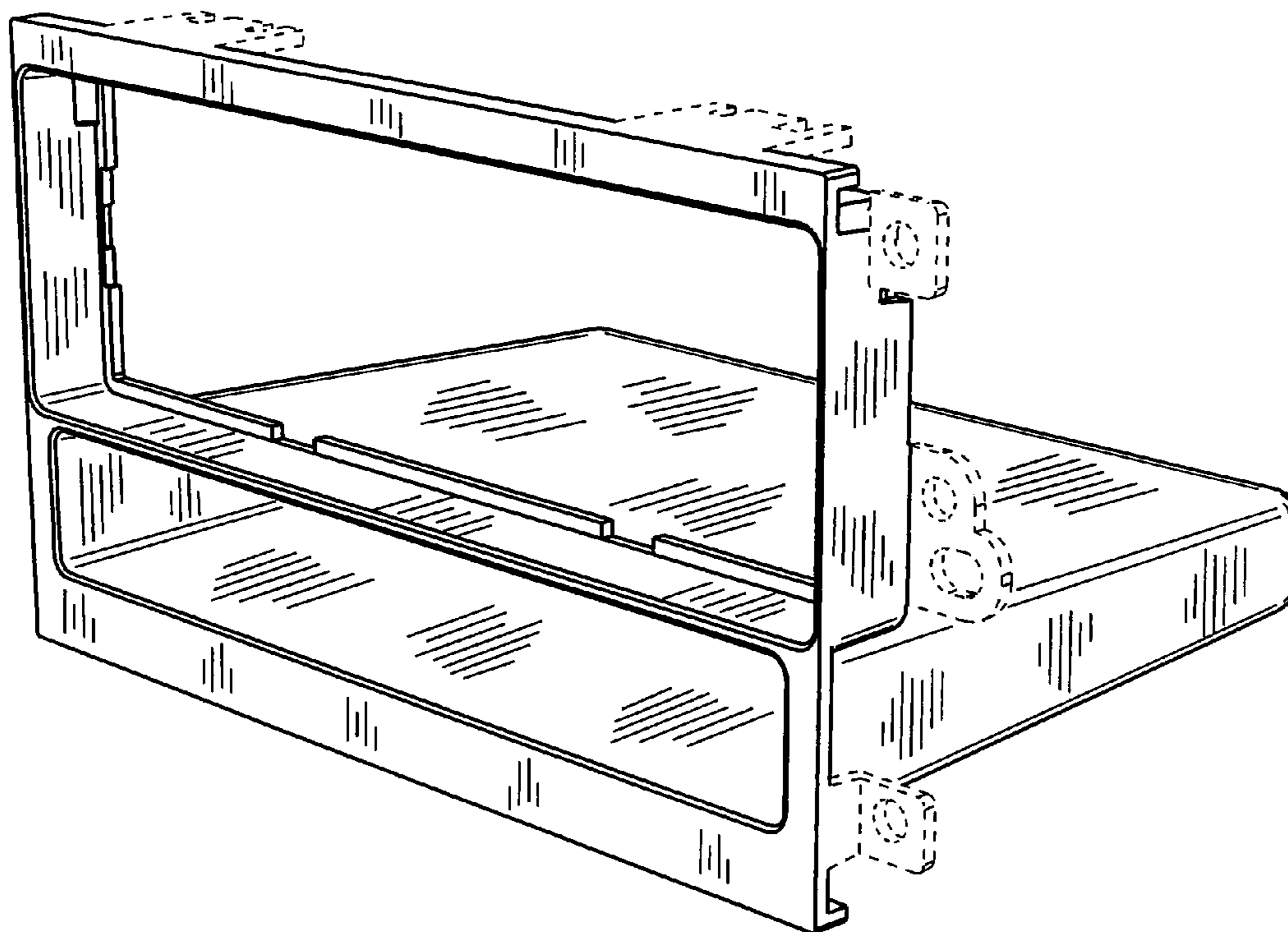
FIG. 5 is a left side elevation view of FIG. 1;

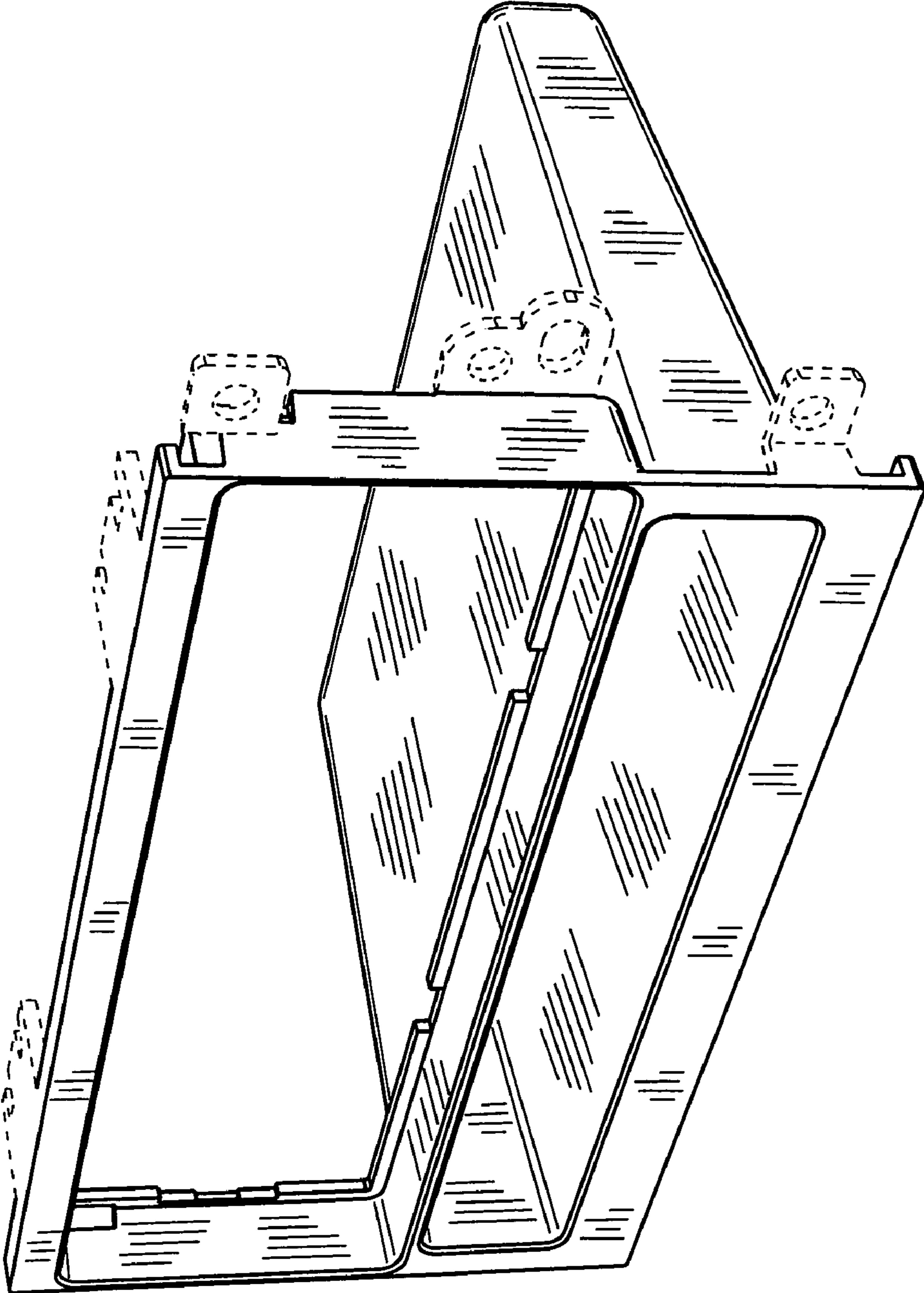
FIG. 6 is a top plan view of FIG. 1; and,

FIG. 7 is a bottom plan view of FIG. 1.

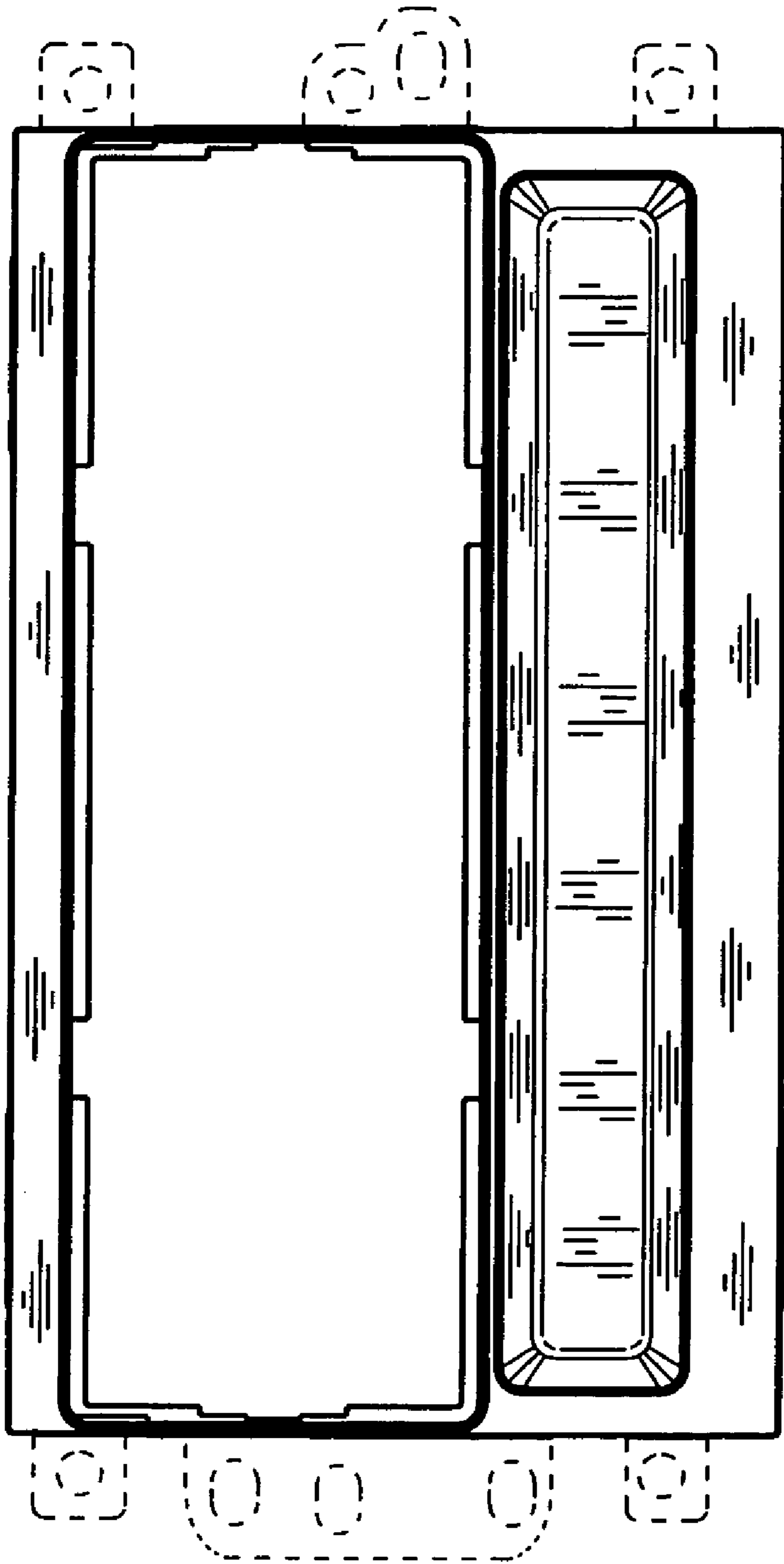
The broken lines shown in all views illustrate mounting features which form no part of the claimed design.

**1 Claim, 7 Drawing Sheets**

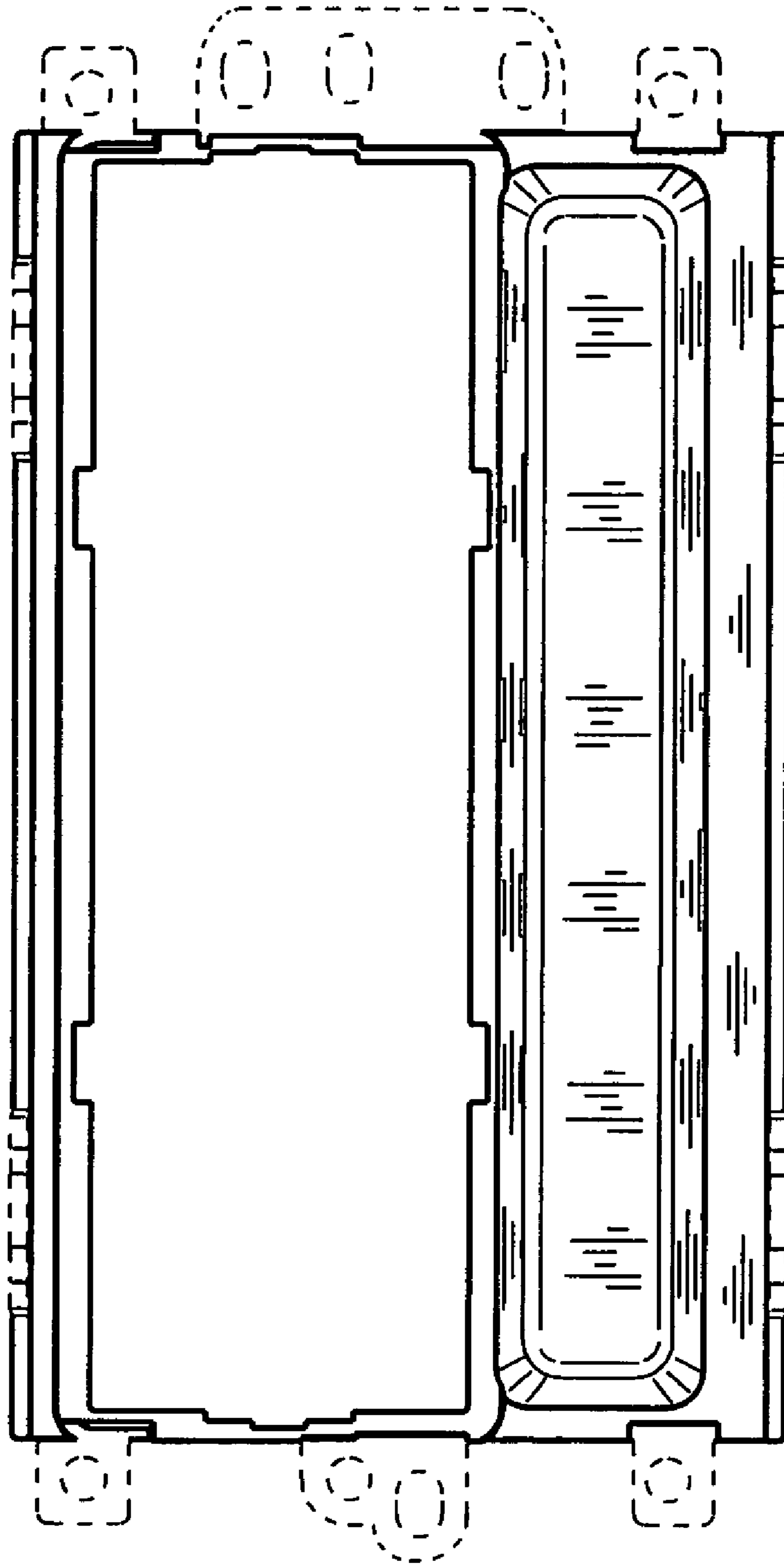




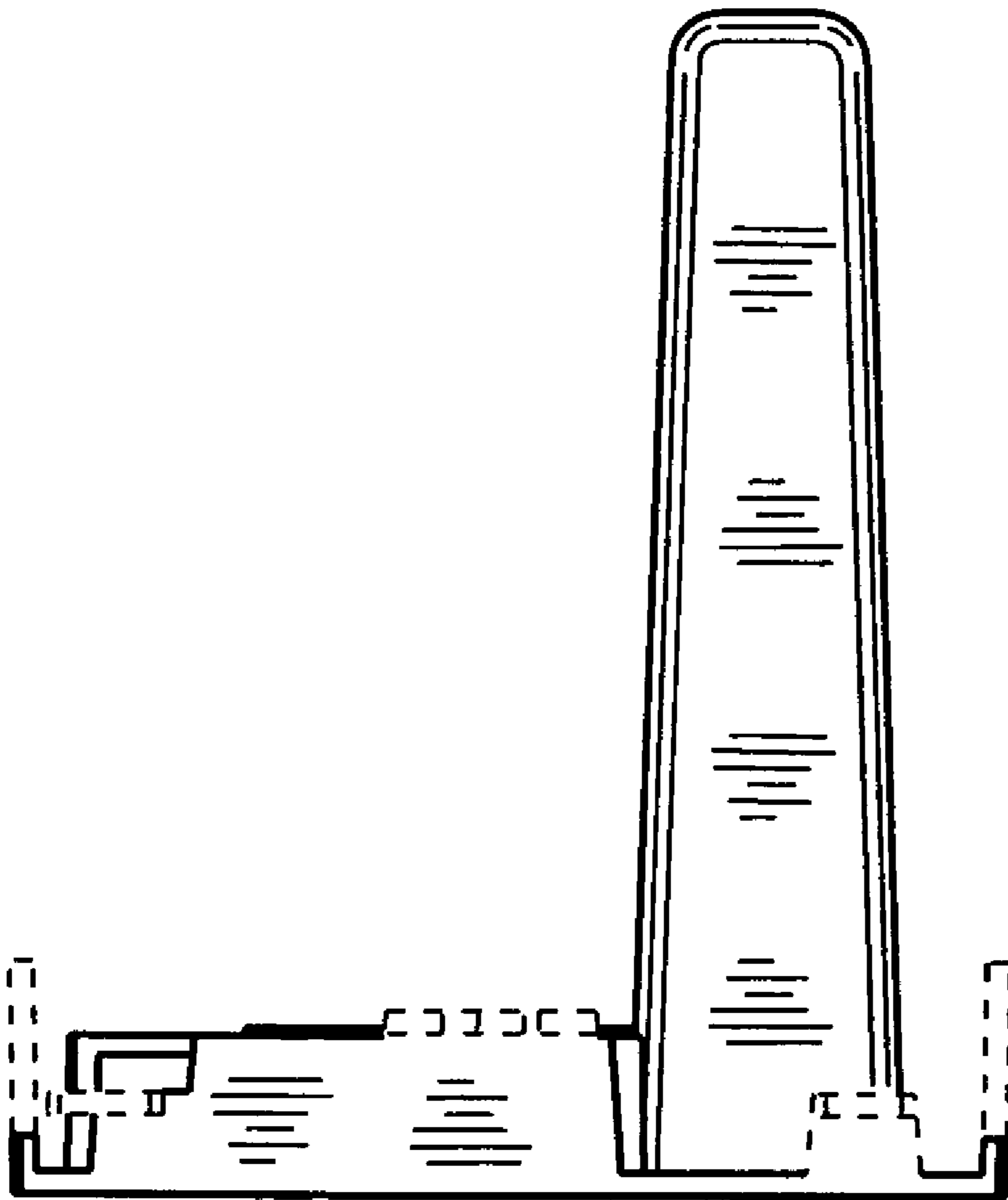
**FIG. 1**



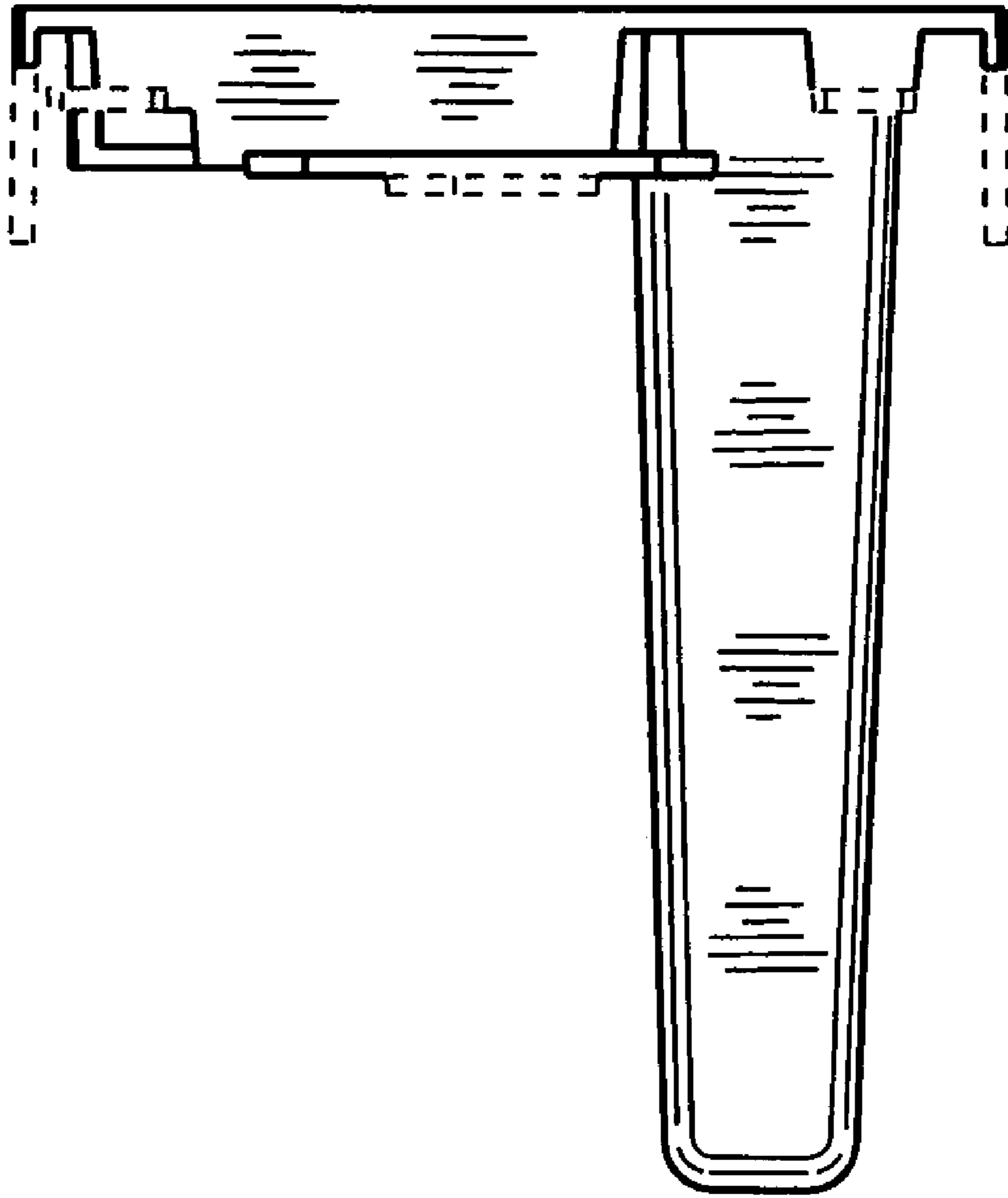
**FIG. 2**



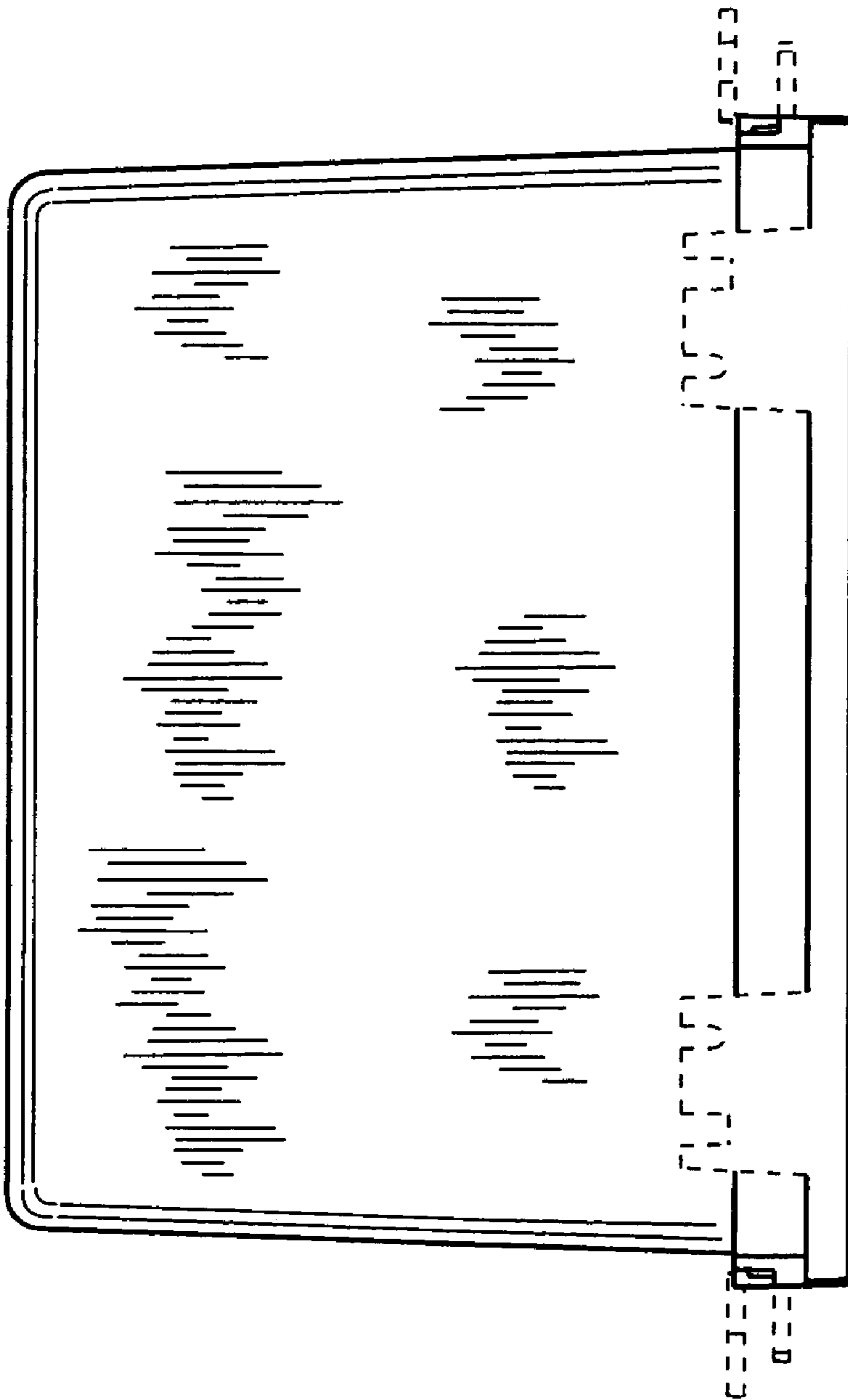
**FIG. 3**



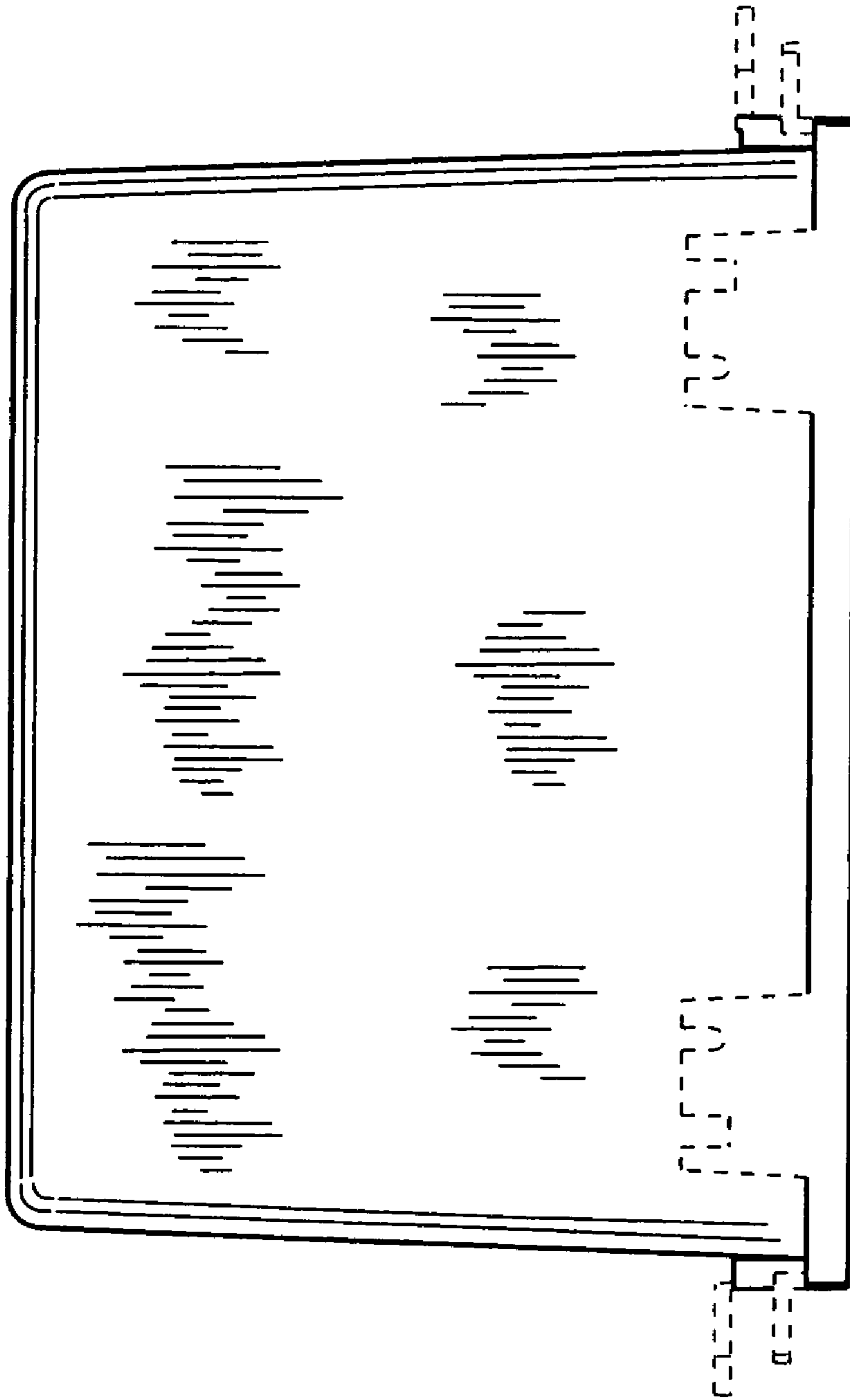
**FIG. 4**



**FIG. 5**



**FIG. 6**



**FIG. 7**