

US00D545810S

(12) **United States Design Patent**
Hussaini et al.

(10) **Patent No.:** **US D545,810 S**

(45) **Date of Patent:** **** Jul. 3, 2007**

(54) **AUDIO SYSTEM FOR PORTABLE ELECTRONIC DEVICE**

7,052,136 B2 * 5/2006 Johnson 353/15
D530,721 S * 10/2006 Skinner et al. D14/496
D536,331 S * 2/2007 Hussaini et al. D14/217

(75) Inventors: **Saied Hussaini**, Miami, FL (US); **Marc Iacovelli**, Miami, FL (US)

* cited by examiner

(73) Assignee: **I-Tec Electronics Inc.**, Miami, FL (US)

Primary Examiner—Prabhakar Deshmukh
(74) *Attorney, Agent, or Firm*—Berenato, White & Stavish

(**) Term: **14 Years**

(57) **CLAIM**

(21) Appl. No.: **29/262,042**

The ornamental design for a audio system for portable electronic device, as shown and described.

(22) Filed: **Jun. 26, 2006**

(51) **LOC (8) Cl.** **14-01**

DESCRIPTION

(52) **U.S. Cl.** **D14/168**; D14/496

FIG. 1 is a perspective view of the audio system for portable electronic device according to the present invention.

(58) **Field of Classification Search** D14/156,

FIG. 2 is a front view of the audio system for portable electronic device of FIG. 1.

D14/157, 160–168, 193–198, 188, 496; 455/144–151;
181/144–148, 150, 152, 198, 199; 381/182,
381/307, 300–302, 386; 369/1, 2, 6–12

FIG. 3 is a rear view of the audio system for portable electronic device of FIG. 1.

See application file for complete search history.

FIG. 4 is a right side view of the audio system for portable electronic device of FIG. 1.

(56) **References Cited**

U.S. PATENT DOCUMENTS

3,514,539 A * 5/1970 Jespersen 381/120
5,146,618 A * 9/1992 Wenner 455/345
6,359,987 B1 * 3/2002 Tran et al. 381/58
D477,829 S * 7/2003 Hussaini et al. D14/496
D477,830 S * 7/2003 Hussaini et al. D14/496
D497,896 S * 11/2004 Hussaini et al. D14/168
D513,010 S * 12/2005 Hussaini et al. D14/496
7,043,044 B2 * 5/2006 Amid-Hozour 381/388
7,050,124 B2 * 5/2006 Schedivy 348/838

FIG. 5 is a left side view of the audio system for portable electronic device of FIG. 1.

FIG. 6 is a top view of the audio system for portable electronic device of FIG. 1; and,

FIG. 7 is a bottom view of the audio system for portable electronic device of FIG. 1.

1 Claim, 6 Drawing Sheets

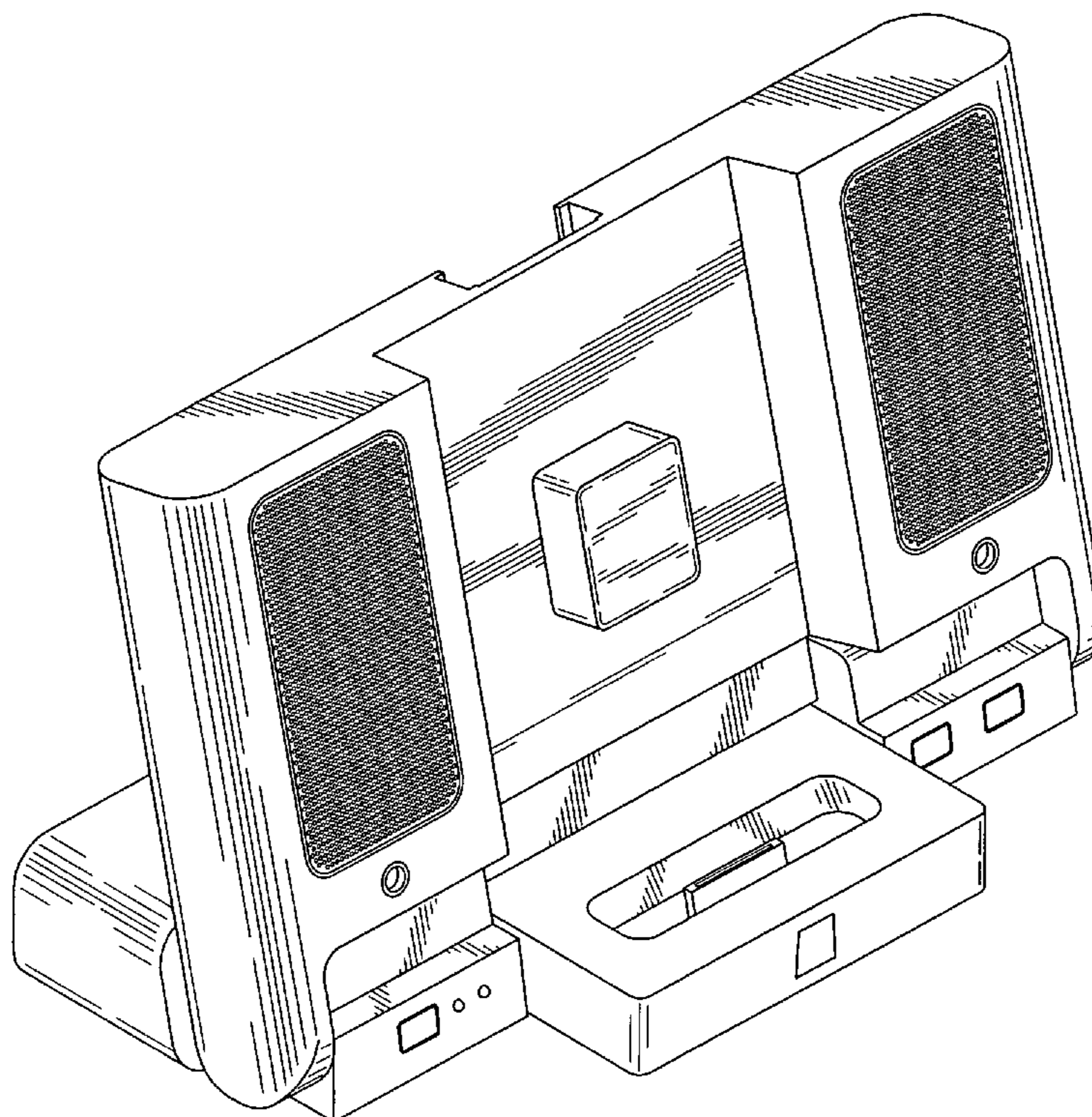


Fig. 1

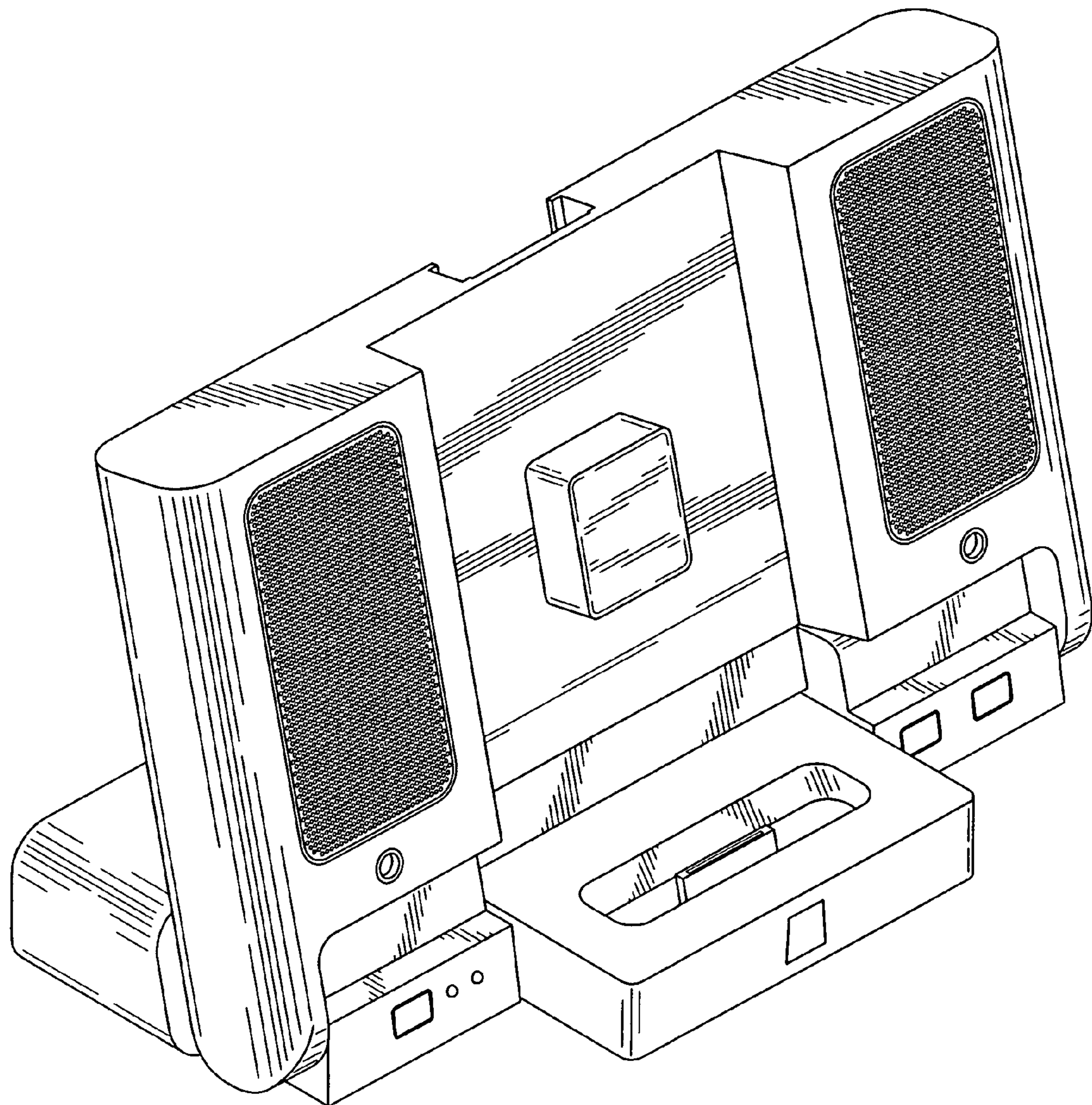


Fig. 2

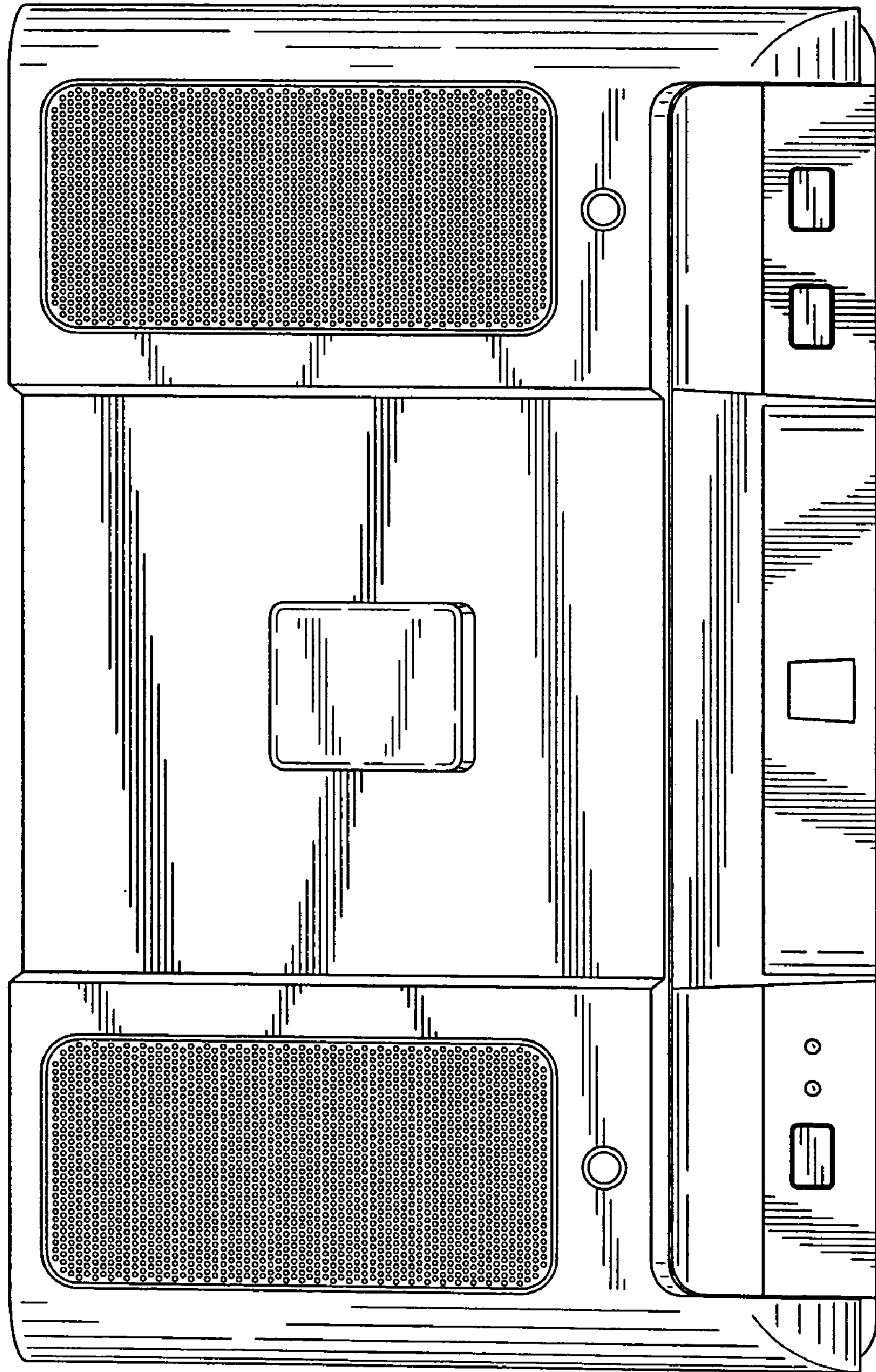


Fig. 3

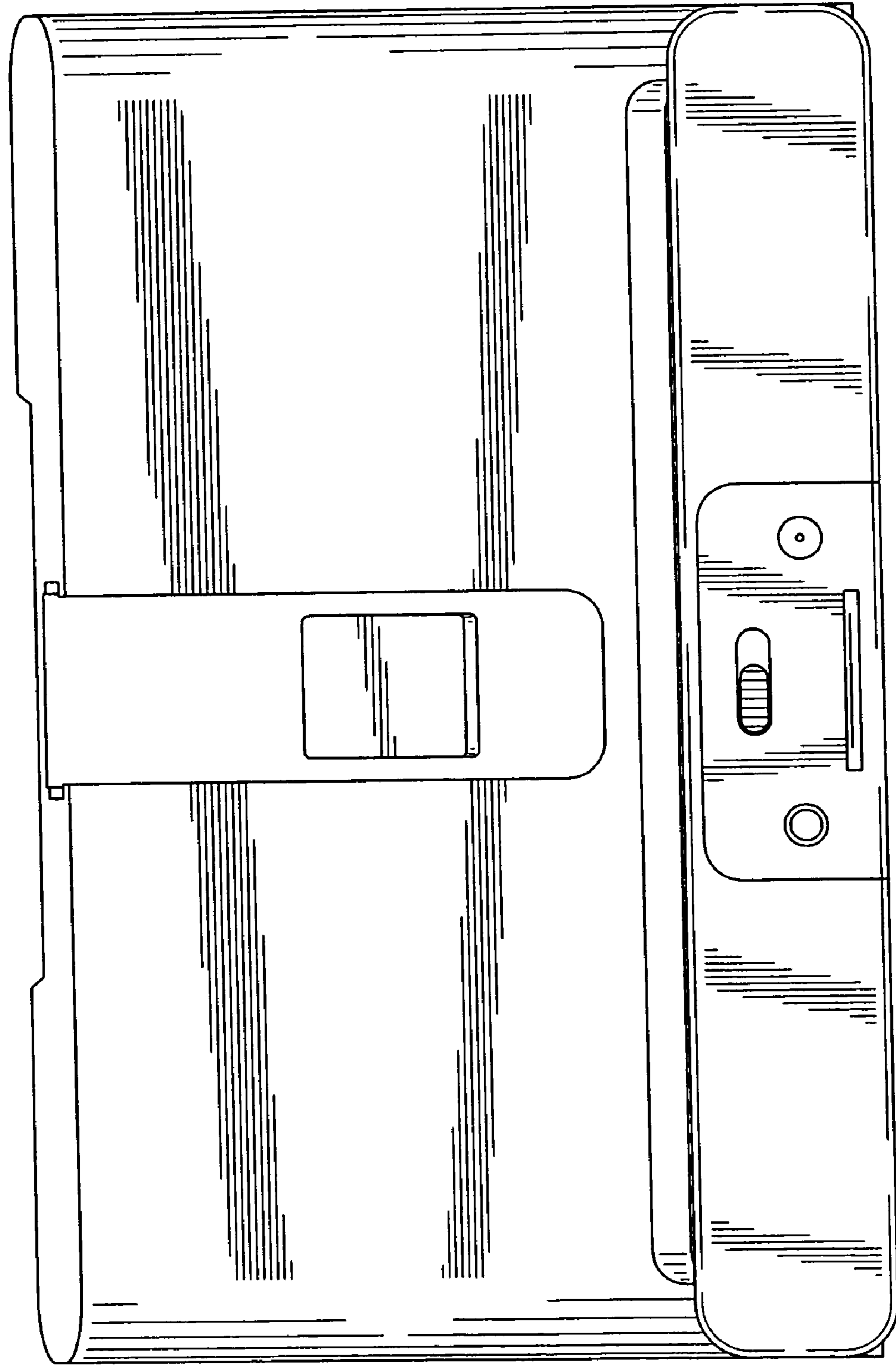


Fig. 5

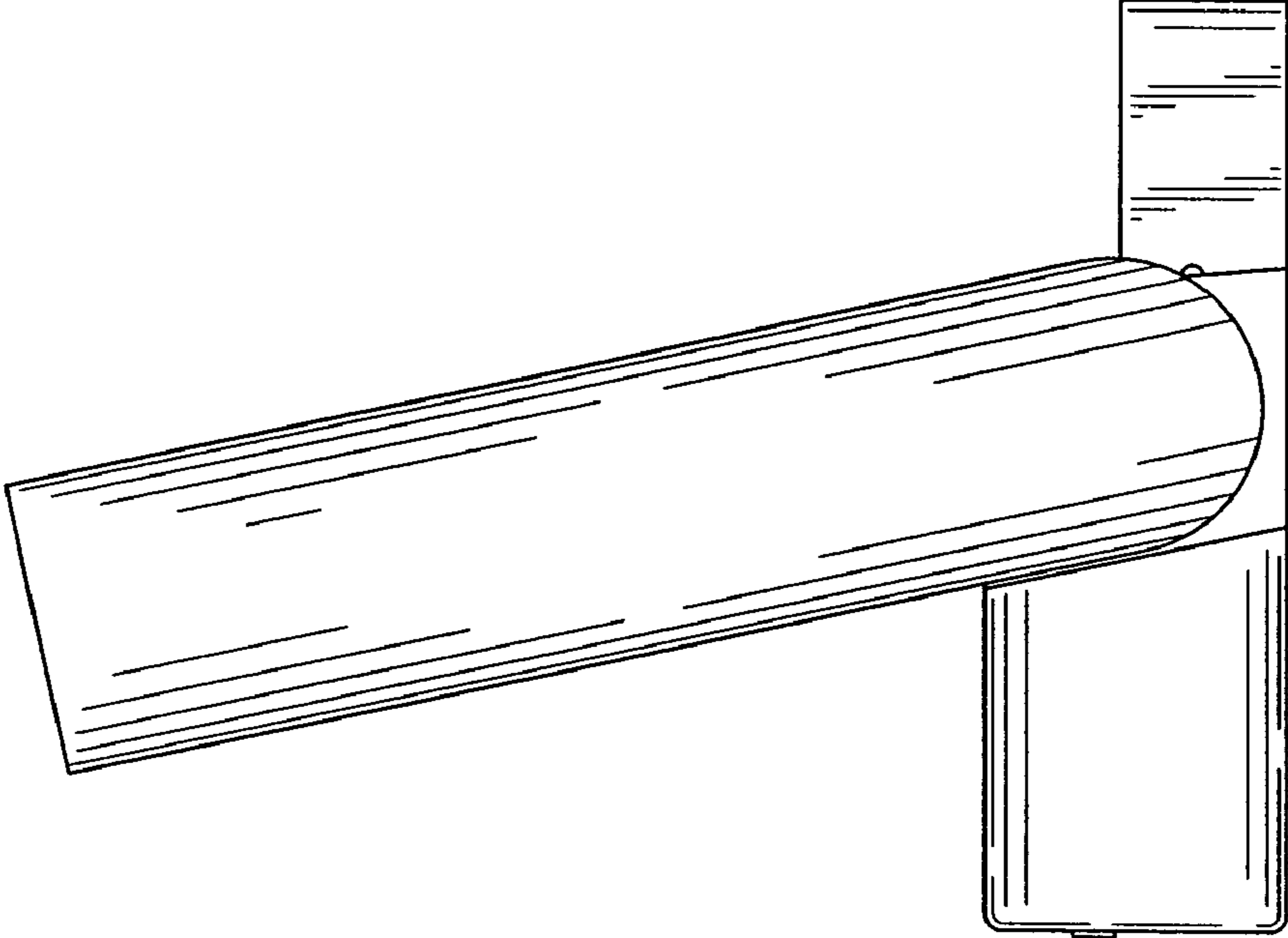


Fig. 4

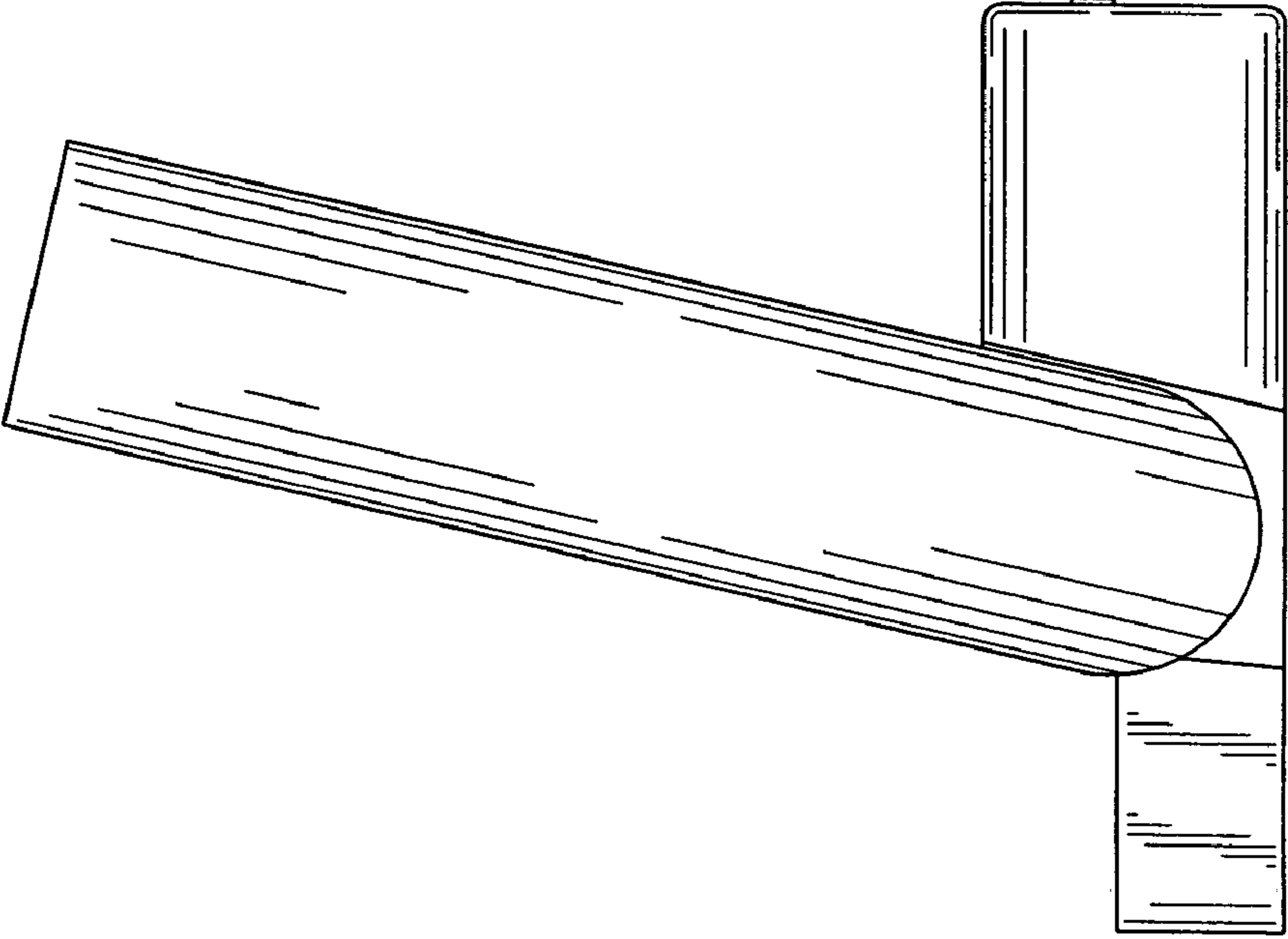


Fig. 6

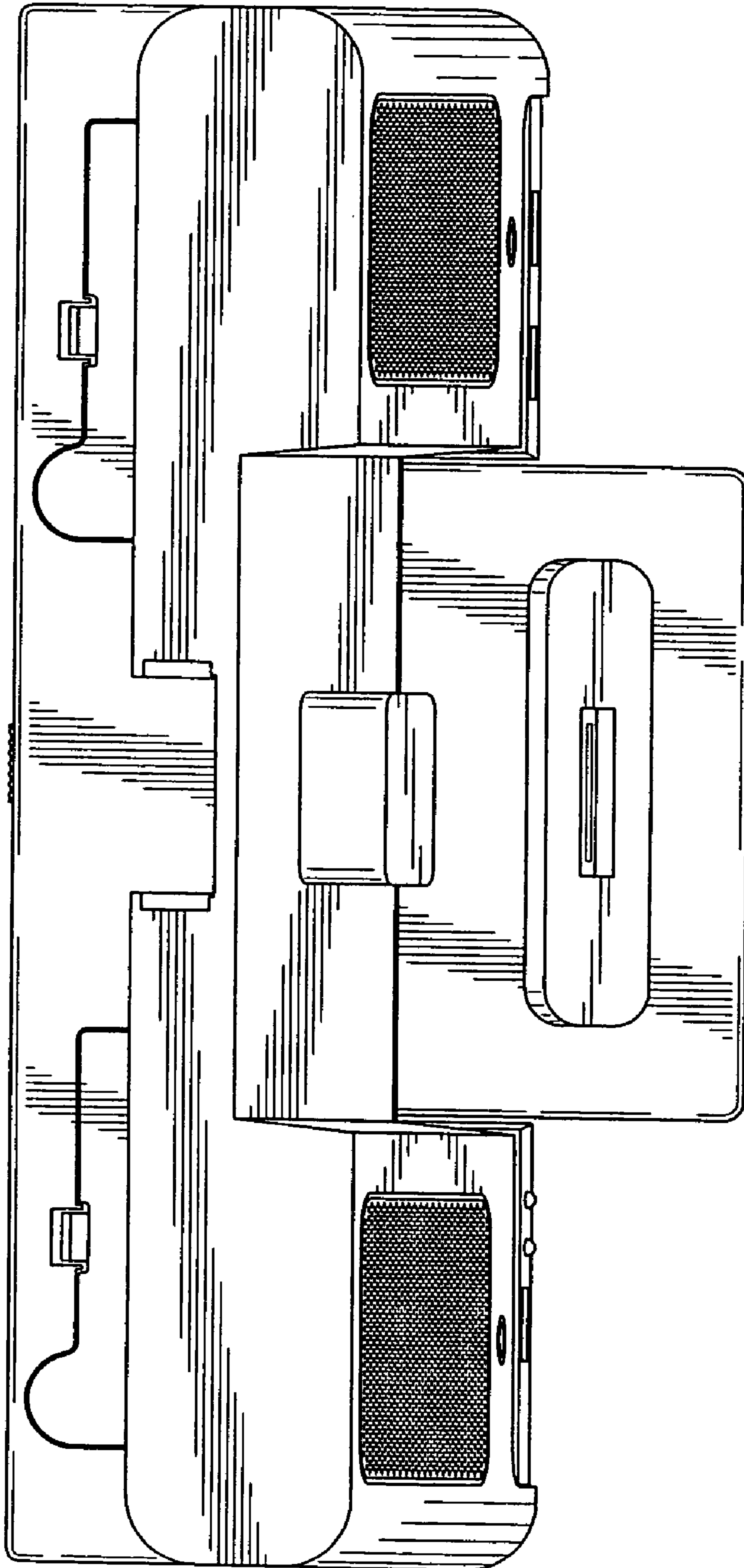


Fig. 7

