

US00D545809S

(12) **United States Design Patent**
Griffin

(10) **Patent No.:** **US D545,809 S**

(45) **Date of Patent:** **** Jul. 3, 2007**

(54) **RADIO TRANSMITTER WHICH IS
CONNECTABLE TO A COMPUTER OR AN
MP3 PLAYER DEVICE**

(76) Inventor: **Paul Griffin**, 2846 Polo Club Rd.,
Nashville, TN (US) 37221

(**) Term: **14 Years**

(21) Appl. No.: **29/264,830**

(22) Filed: **Aug. 18, 2006**

Related U.S. Application Data

(62) Division of application No. 29/252,135, filed on Jan.
19, 2006, now Pat. No. Des. 535,972.

(51) **LOC (8) Cl.** **14-03**

(52) **U.S. Cl.** **D14/155**

(58) **Field of Classification Search** D14/358,
D14/299, 248, 240, 218, 191, 188, 162, 155,
D14/137, 226; D13/168, 110, 144; 439/668;
455/353, 351

See application file for complete search history.

(56) **References Cited**

U.S. PATENT DOCUMENTS

D338,465 S *	8/1993	Hayasaka et al.	D14/191
D353,593 S *	12/1994	Hayasaka et al.	D14/191
D361,058 S *	8/1995	Domel et al.	D13/168
D366,262 S *	1/1996	Inaba	D14/218
D401,911 S *	12/1998	Hwang	D13/168
D425,071 S *	5/2000	Boswell	D14/240
D450,313 S *	11/2001	Koinuma	D14/218
D492,307 S *	6/2004	Aqqad et al.	D14/356
D495,322 S *	8/2004	Doyle et al.	D14/240

D496,653 S *	9/2004	Townsend et al.	D14/240
D506,209 S *	6/2005	Leong	D14/496
D507,261 S *	7/2005	Griffin	D14/226
D511,770 S *	11/2005	Chung	D14/240
D512,403 S *	12/2005	Yang	D14/156
D517,042 S *	3/2006	Byun et al.	D14/191
D526,331 S *	8/2006	Lee	D14/496
D531,623 S *	11/2006	Griffin	D14/230
D535,972 S *	1/2007	Griffin	D14/155

* cited by examiner

Primary Examiner—Cathron C. Brooks

Assistant Examiner—Austin Murphy

(74) *Attorney, Agent, or Firm*—Michael E. McKee

(57) **CLAIM**

The ornamental design for a radio transmitter which is connectable to a computer or an MP3 player device, as shown and described.

DESCRIPTION

FIG. 1 is a perspective view of a radio transmitter which is connectable to a computer or an MP3 player device showing my new design;

FIG. 2 is a top view thereof;

FIG. 3 is a bottom view thereof;

FIG. 4 is a front elevational view thereof;

FIG. 5 is a back elevational view thereof;

FIG. 6 is a side elevational view thereof as seen from the left in FIG. 4; and,

FIG. 7 is a side elevational view thereof as seen from the right in FIG. 4.

1 Claim, 3 Drawing Sheets

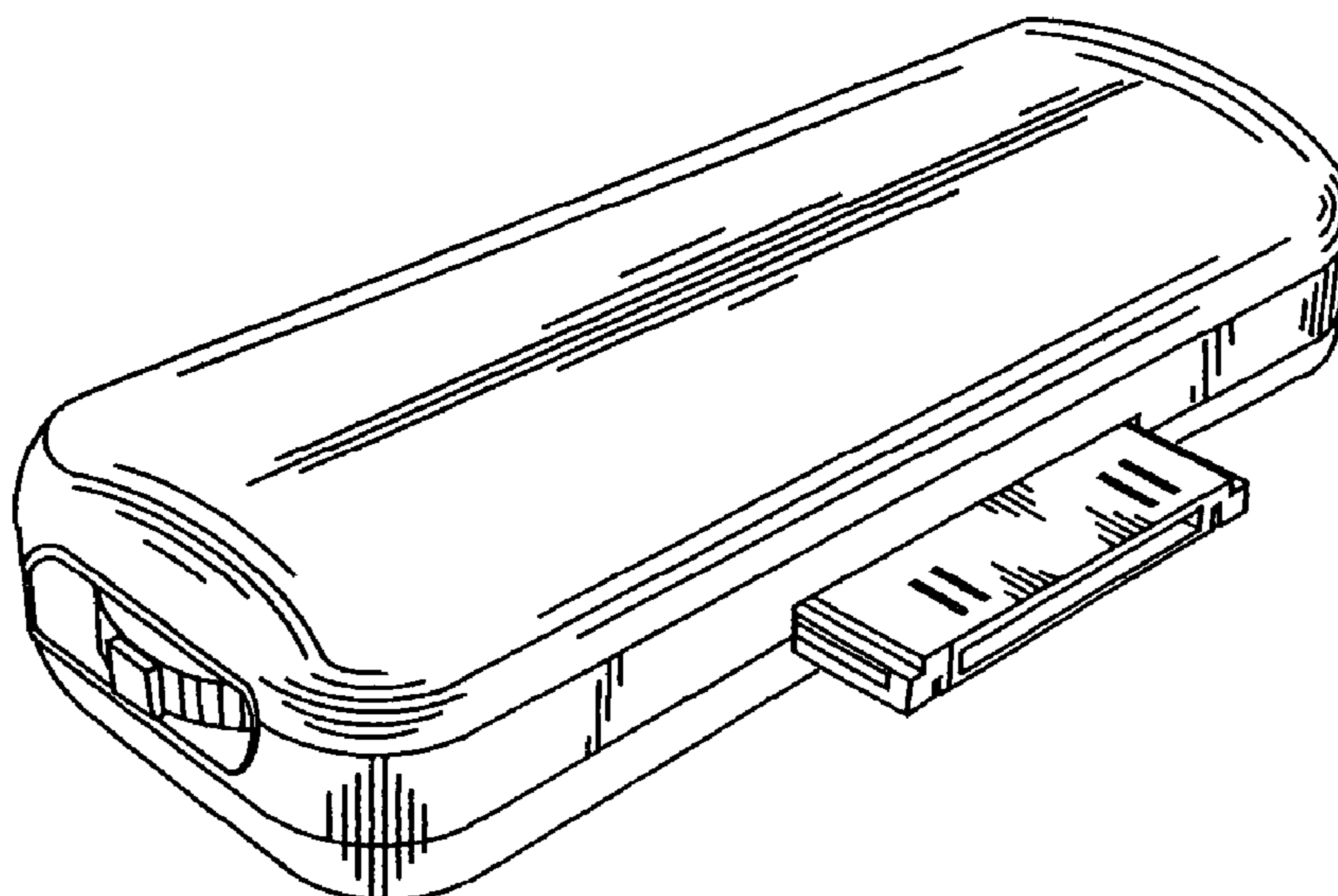


FIG. 1

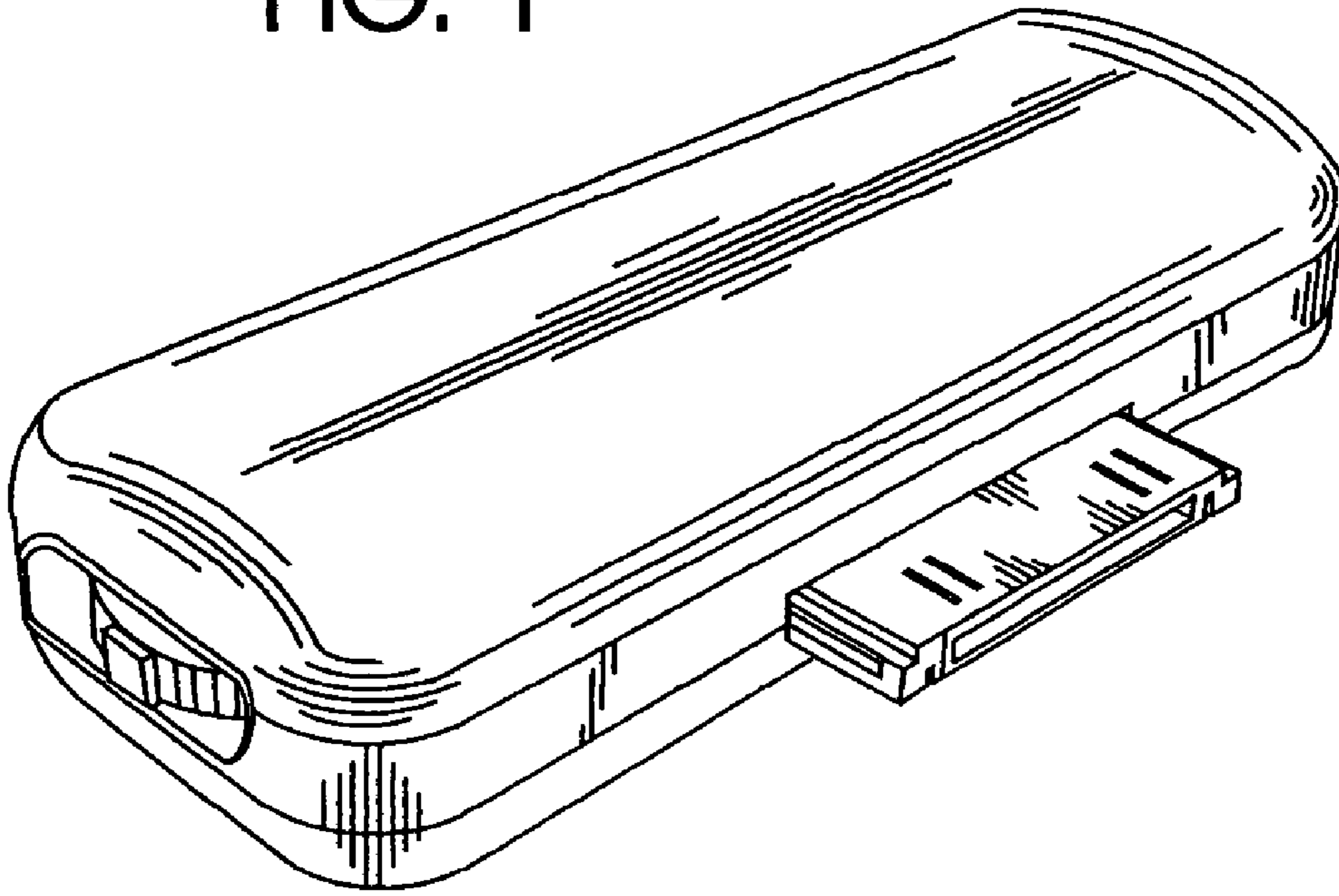


FIG. 2

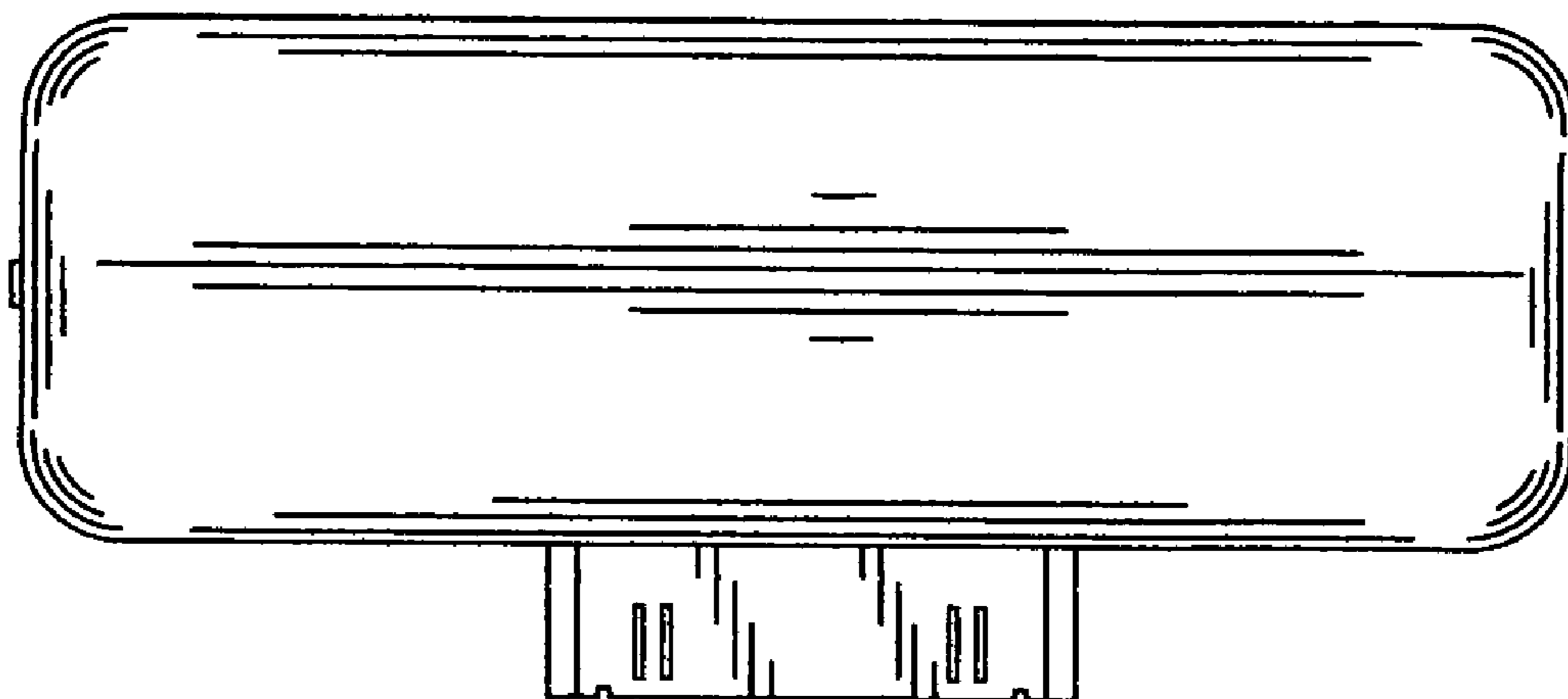


FIG. 3

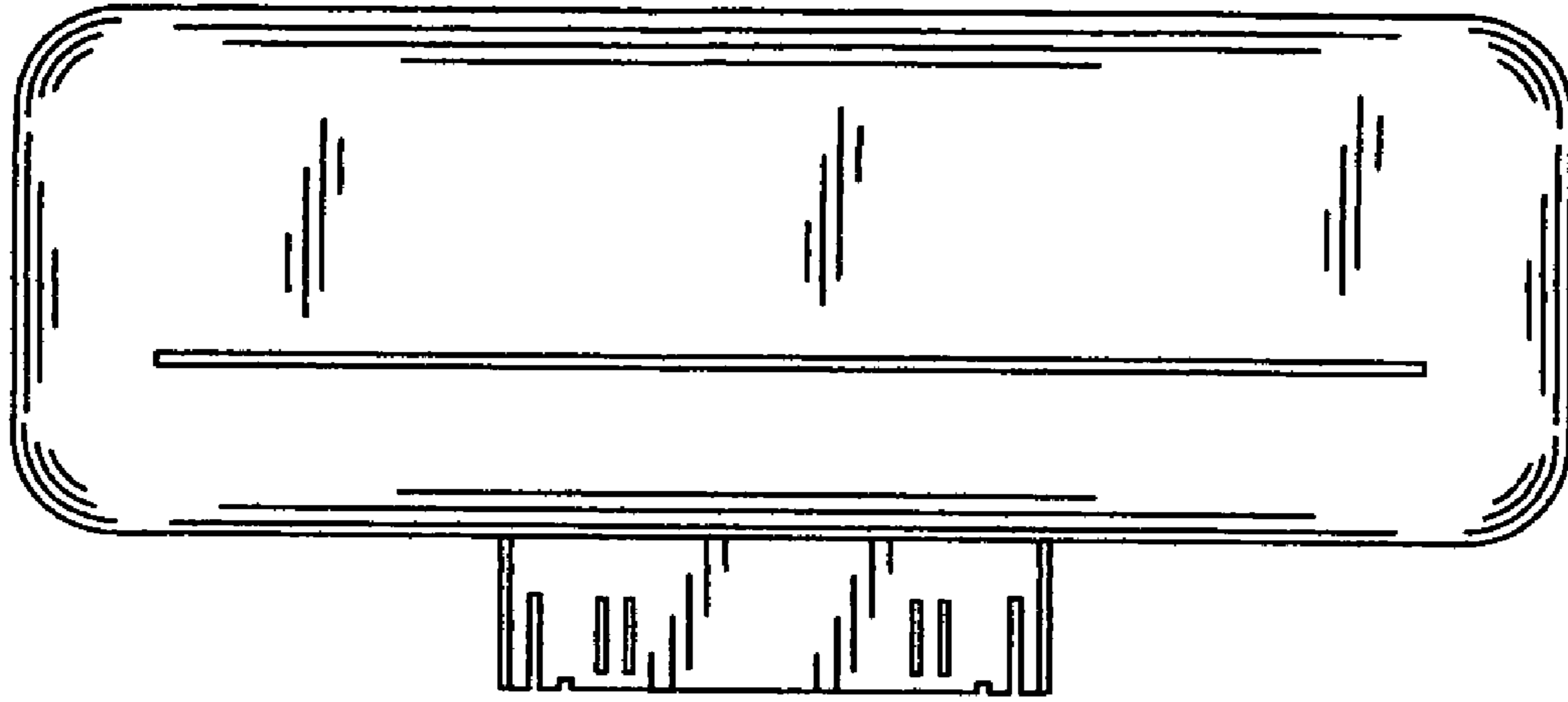


FIG. 4

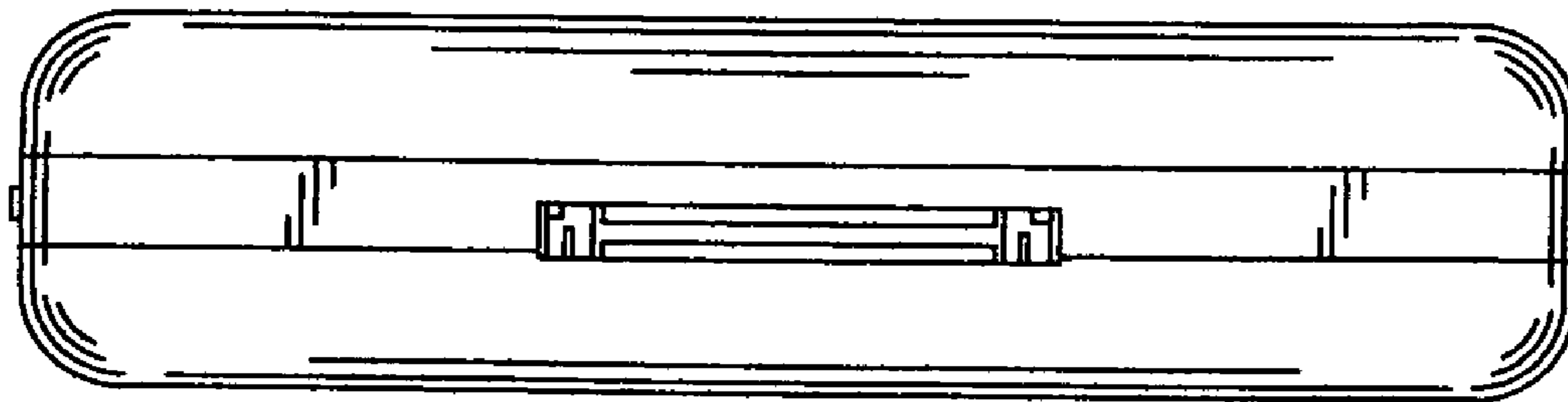


FIG. 5

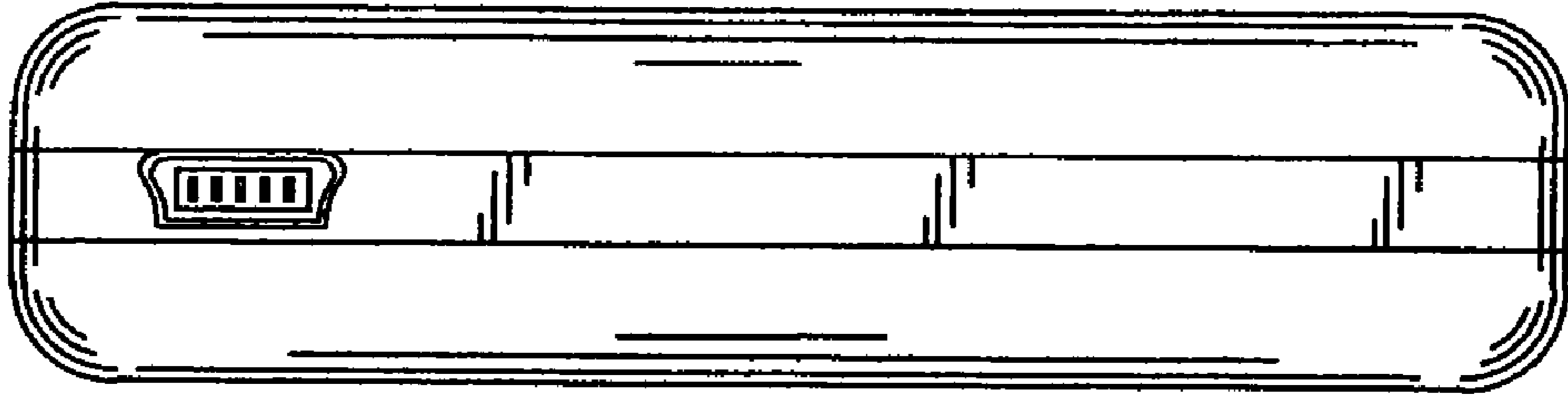


FIG. 6

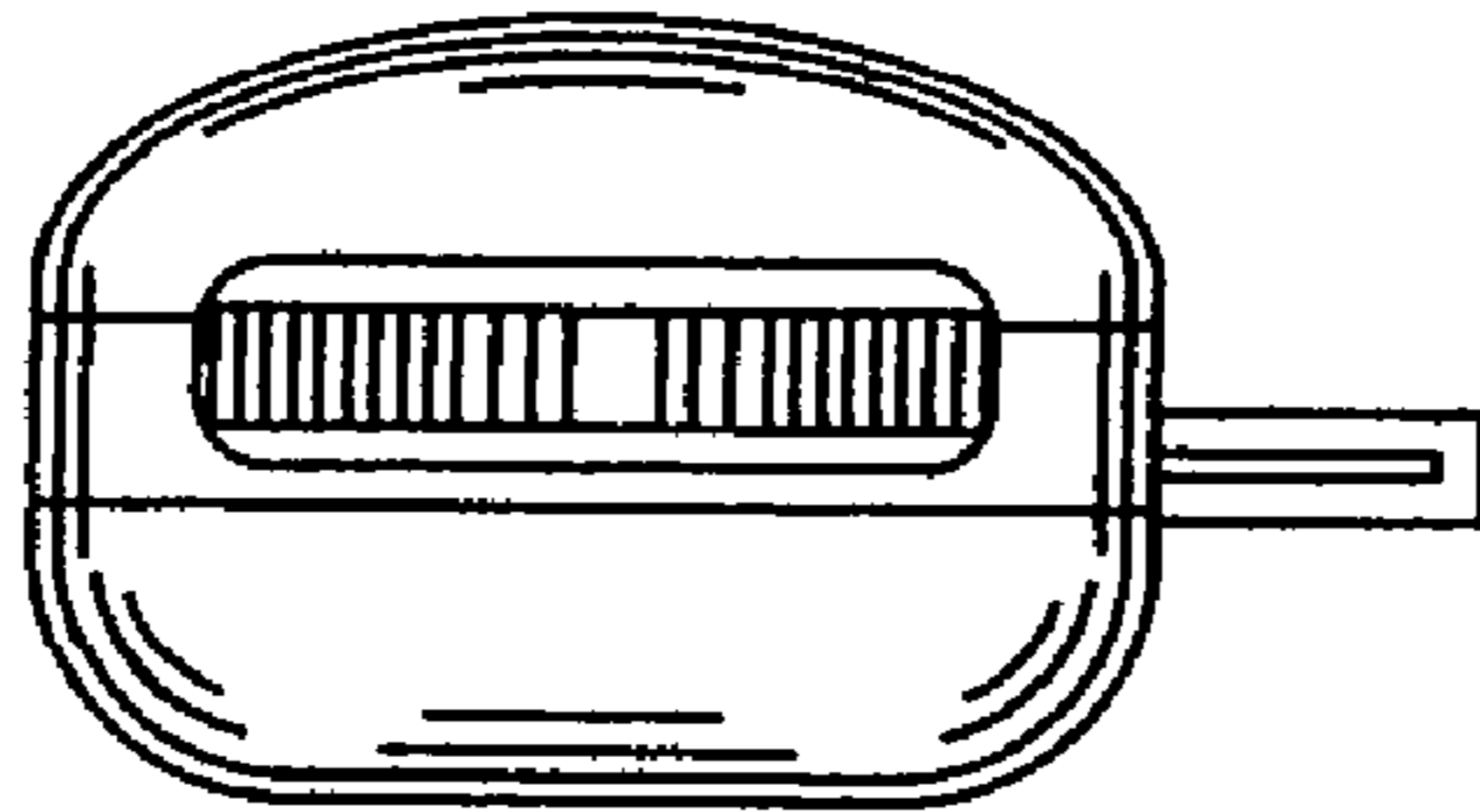


FIG. 7

