

US00D545807S

(12) **United States Design Patent**
Peterson et al.

(10) **Patent No.:** **US D545,807 S**

(45) **Date of Patent:** **** Jul. 3, 2007**

(54) **PERSONAL SPEAKERPHONE DEVICE**

(75) Inventors: **Casey Peterson**, Draper, UT (US);
Christopher Bourne, West Valley City,
UT (US)

(73) Assignee: **ClearOne Communications, Inc.**, Salt
Lake City, UT (US)

(**) Term: **14 Years**

(21) Appl. No.: **29/253,872**

(22) Filed: **Feb. 14, 2006**

(51) **LOC (8) Cl.** **14-03**

(52) **U.S. Cl.** **D14/149**

(58) **Field of Classification Search** D14/149-150,
D14/158, 171, 214-216, 240, 225, 228, 242-243;
D10/15; 379/388.01, 388.02, 420.02, 434,
379/447; 381/71.1, 16, 150

See application file for complete search history.

(56) **References Cited**

U.S. PATENT DOCUMENTS

5,778,085 A * 7/1998 Sasaki 381/71.1
D405,093 S * 2/1999 Sawhney et al. D14/240
D410,469 S * 6/1999 Sathikh D14/242
5,912,967 A * 6/1999 Gaffney et al. 379/420.02
D413,121 S * 8/1999 Allen et al. D14/240
D413,524 S * 9/1999 Kokkinis D10/15

D413,886 S * 9/1999 Fitzgerald D14/149
D416,263 S * 11/1999 Kuczyk et al. D14/240
D417,215 S * 11/1999 Kokkinis D14/171
D489,358 S * 5/2004 Chen D14/215
D531,999 S * 11/2006 Bourne et al. D14/240

FOREIGN PATENT DOCUMENTS

WO DM/051580 * 6/1999

* cited by examiner

Primary Examiner—Ian Simmons

Assistant Examiner—Carla Jobe Wright

(74) *Attorney, Agent, or Firm*—Everett D. Robinson; Alison
B. Mohr; Parsons Behle & Latimer

(57) **CLAIM**

The ornamental design for a personal speakerphone device,
as shown and described.

DESCRIPTION

FIG. 1 is a top perspective view.

FIG. 2 is a top view.

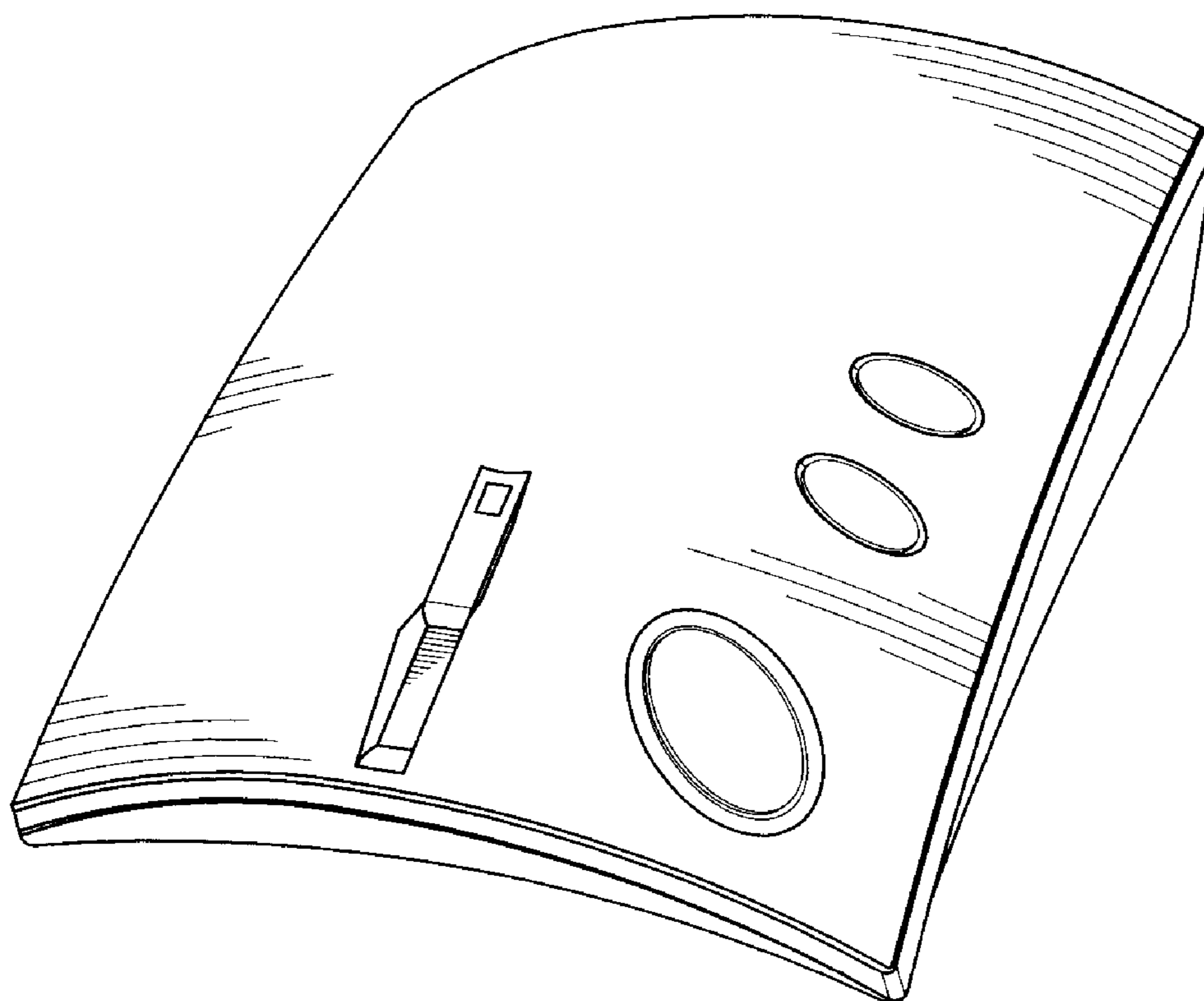
FIG. 3 is a front view.

FIG. 4 is a back view.

FIG. 5 is a side view; and,

FIG. 6 is another side view.

1 Claim, 2 Drawing Sheets



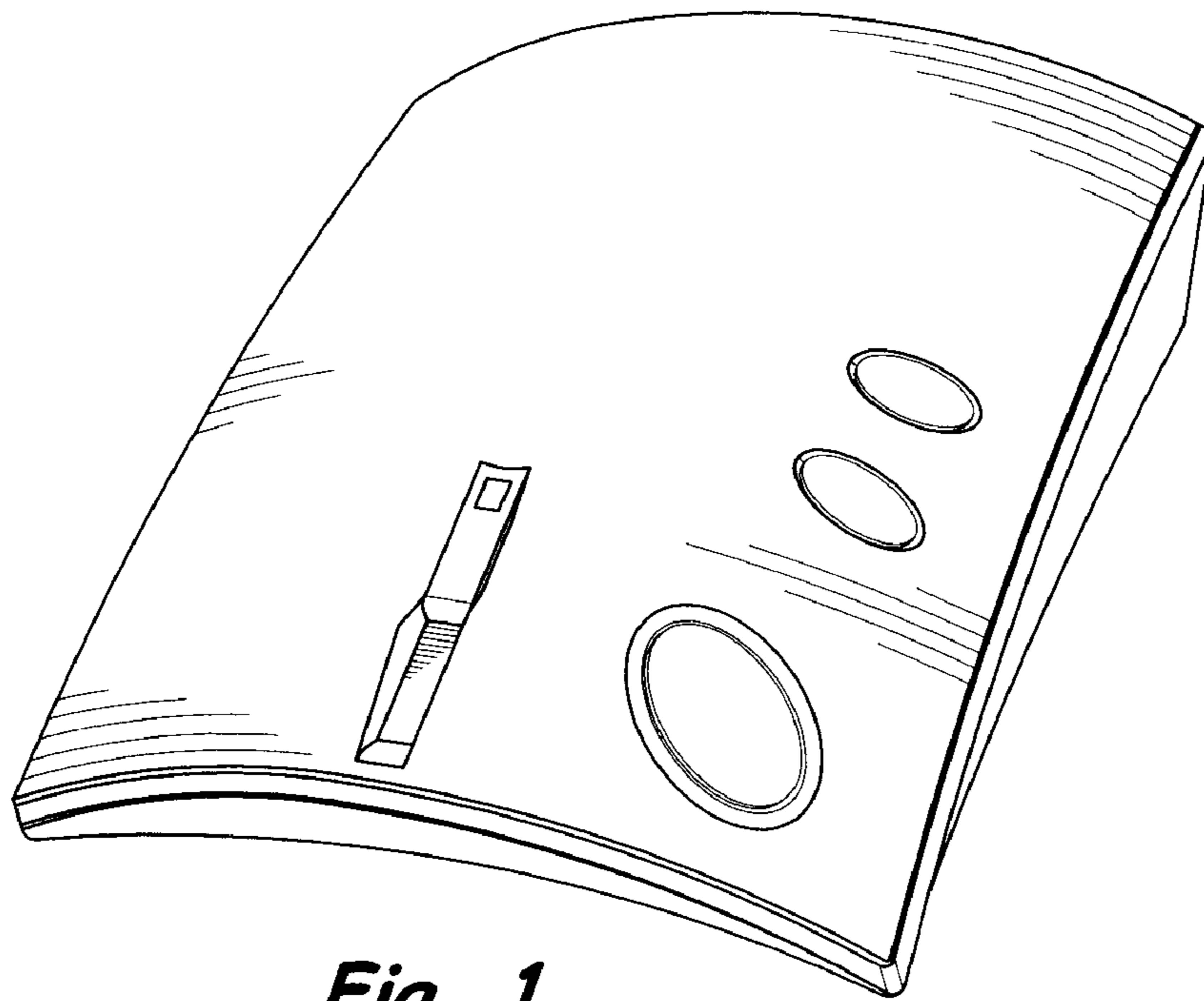


Fig. 1

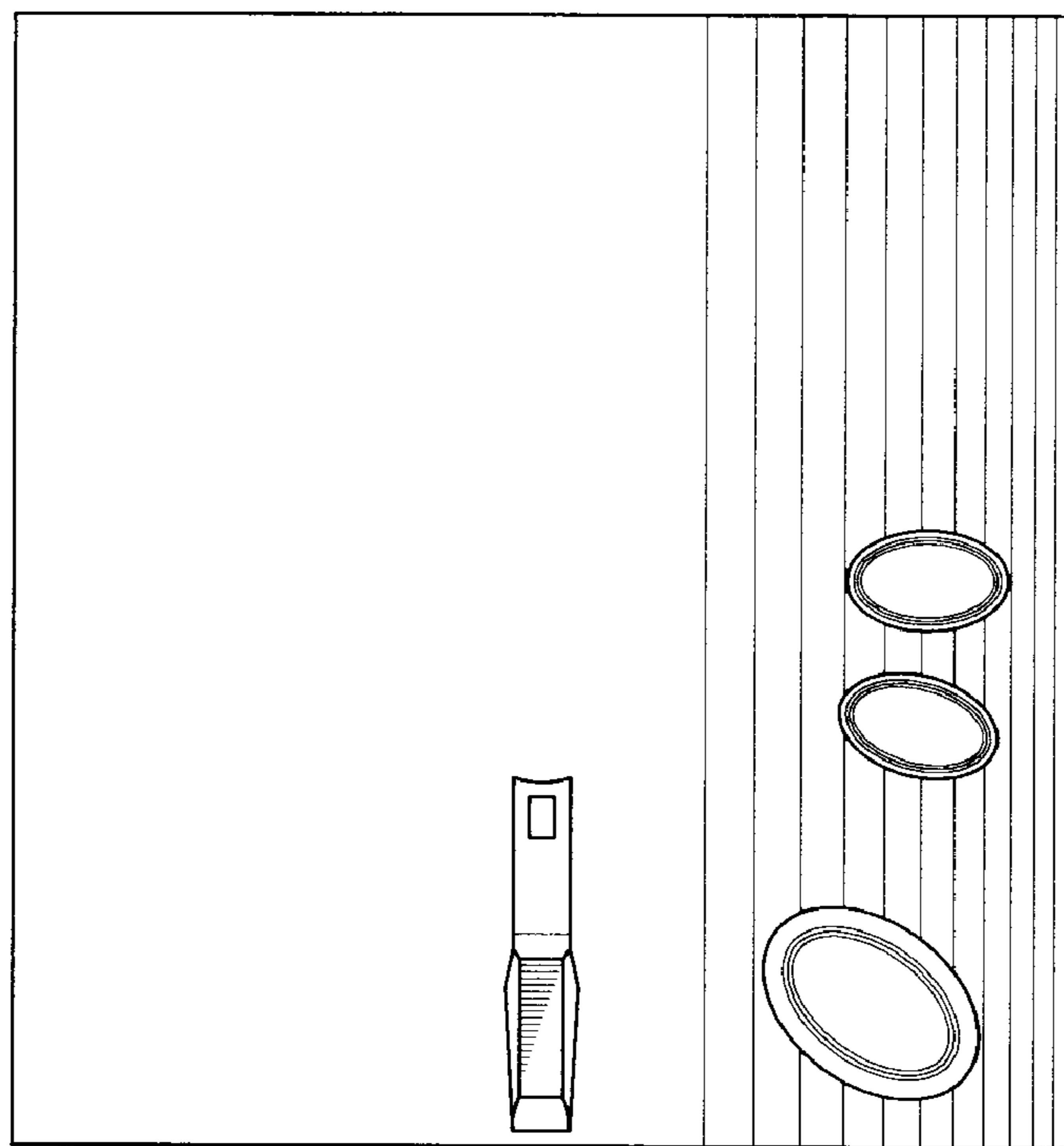


Fig. 2

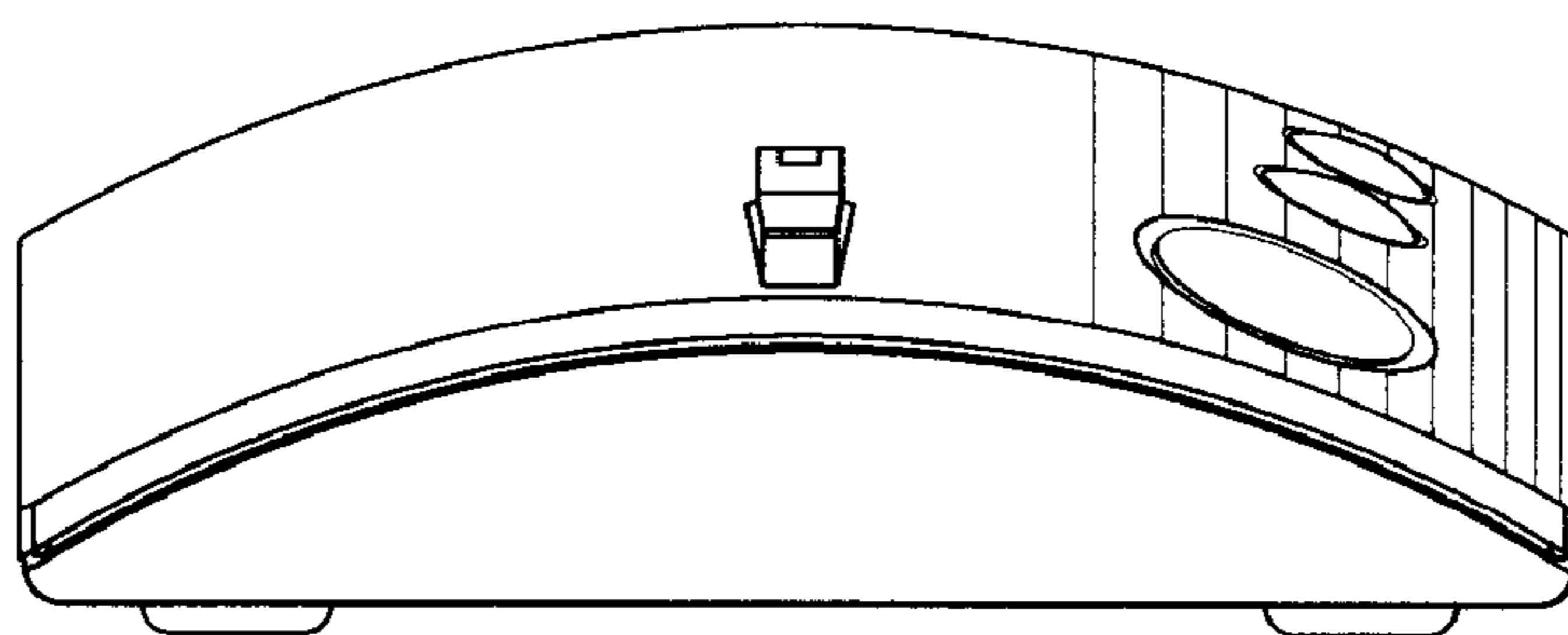


Fig. 3

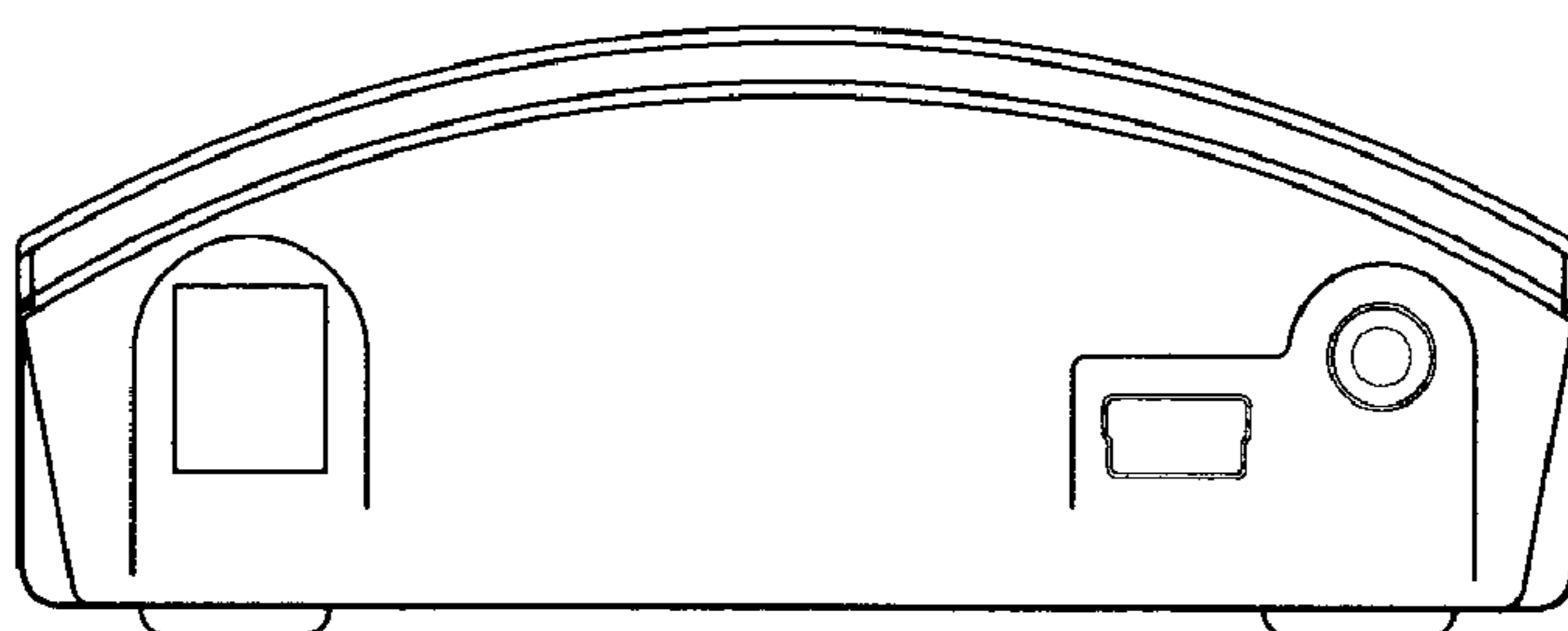


Fig. 4

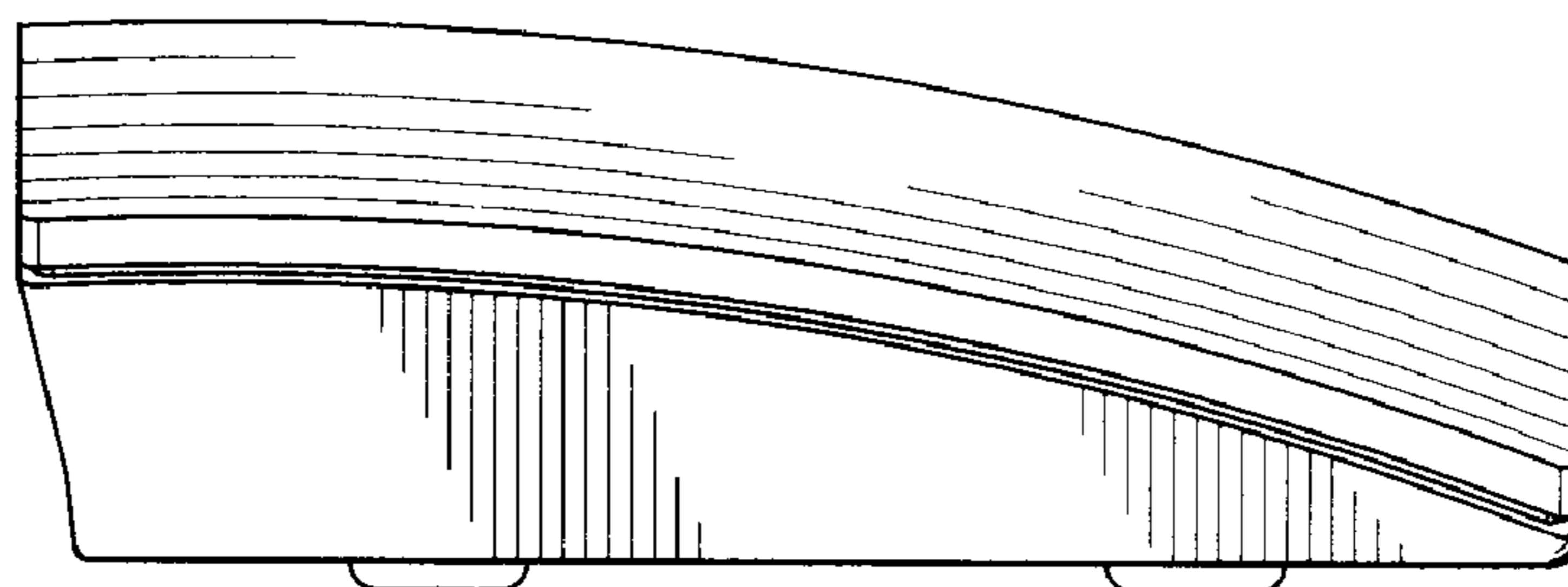


Fig. 5

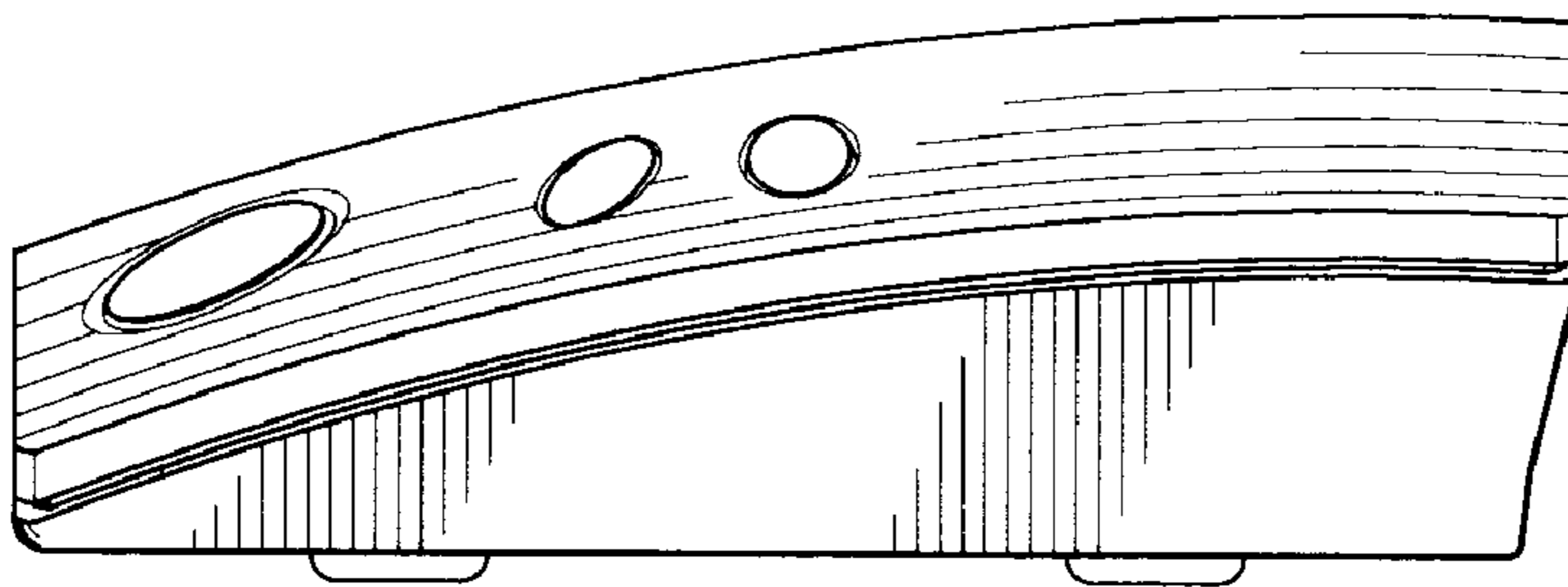


Fig. 6