

US00D545802S

(12) **United States Design Patent**
Choi et al.

(10) **Patent No.:** **US D545,802 S**

(45) **Date of Patent:** **** Jul. 3, 2007**

(54) **PORTABLE PHONE**

(75) Inventors: **Jung-Hyun Choi**, Seoul (KR);
Sang-min Hyun, Seoul (KR);
Chang-Soo Lee, Incheon (KR)

(73) Assignee: **Samsung Electronics Co., Ltd.**,
Suwon-Si (KR)

(**) Term: **14 Years**

(21) Appl. No.: **29/255,075**

(22) Filed: **Mar. 6, 2006**

(30) **Foreign Application Priority Data**

Sep. 8, 2005 (KR) 30-2005-0030474

(51) **LOC (8) Cl.** **14-03**

(52) **U.S. Cl.** **D14/138**

(58) **Field of Classification Search** D14/137-138,
D14/144, 156, 147-148, 247-248, 341-347,
D14/496; D21/329, 331, 333; 379/433.01-433.13;
348/14.01, 14.02, 376; 455/556.1, 556.2,
455/566, 575.1, 575.4, 90.3; D16/208
See application file for complete search history.

(56) **References Cited**

U.S. PATENT DOCUMENTS

D480,697 S * 10/2003 Lee et al. D14/138
D513,011 S * 12/2005 Johnson D14/496
D524,776 S * 7/2006 Chang D14/138

D525,227 S * 7/2006 Jang D14/138
2002/0102946 A1 * 8/2002 SanGiovanni 455/90
2004/0132482 A1 * 7/2004 Kang et al. 455/550.1
2004/0198460 A1 * 10/2004 Sakuta et al. 455/566
2004/0204203 A1 * 10/2004 Lee 455/575.1
2005/0063144 A1 * 3/2005 Park et al. 361/681
2005/0202856 A1 * 9/2005 Park et al. 455/575.1

* cited by examiner

Primary Examiner—Ian Simmons

Assistant Examiner—Carla Jobe Wright

(74) *Attorney, Agent, or Firm*—Staas & Halsey LLP

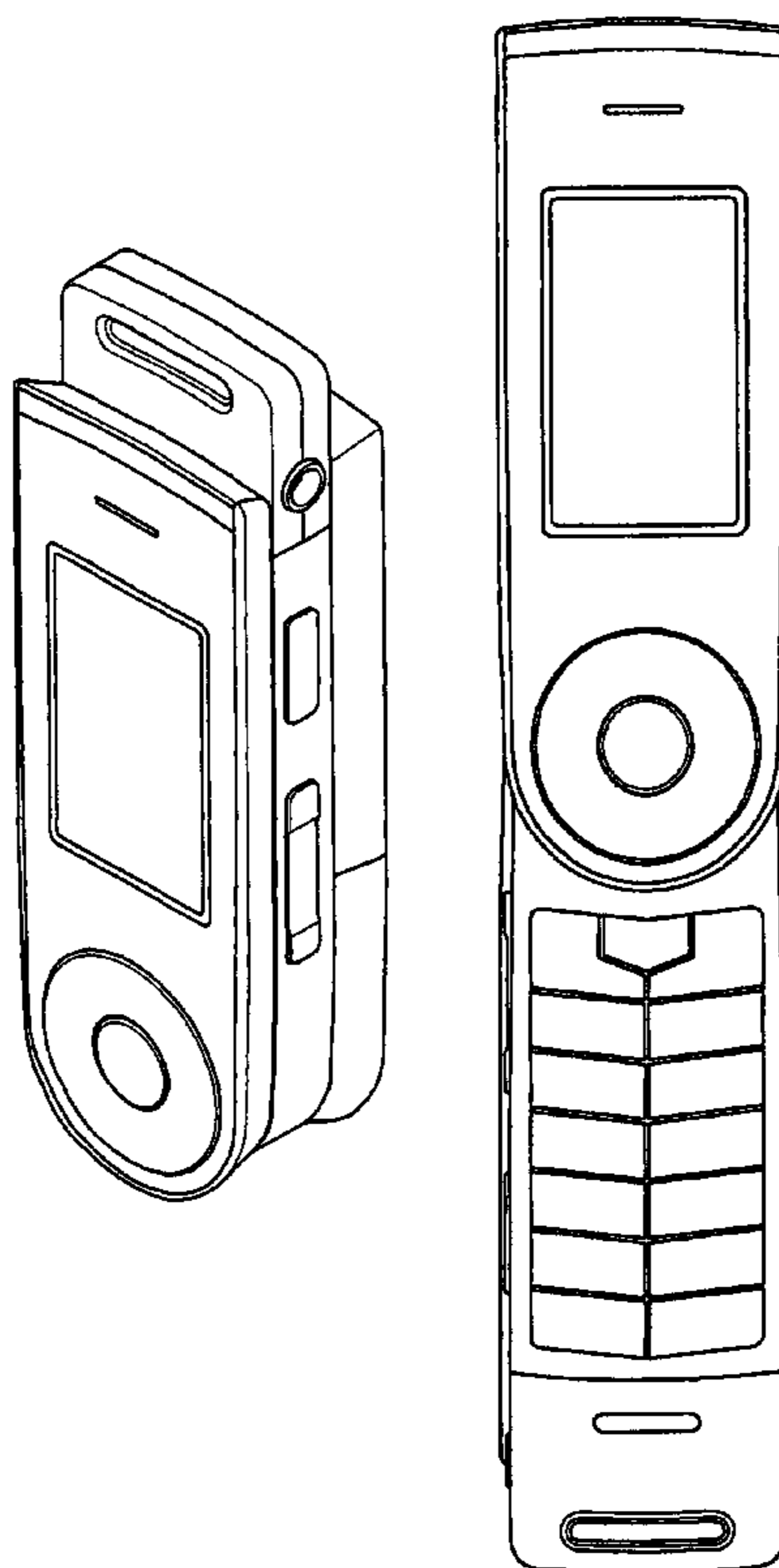
(57) **CLAIM**

The ornamental design for a portable phone, as shown and described.

DESCRIPTION

FIG. 1 is a perspective view of the portable phone showing our design;
FIG. 2 is a front view thereof;
FIG. 3 is a rear view thereof;
FIG. 4 is a left side view thereof;
FIG. 5 is a right side view thereof;
FIG. 6 is a top plan view thereof;
FIG. 7 is a bottom plan view thereof;
FIG. 8 is a front, open view thereof; and,
FIG. 9 is another front, open view thereof, with a portion rotated.

1 Claim, 7 Drawing Sheets



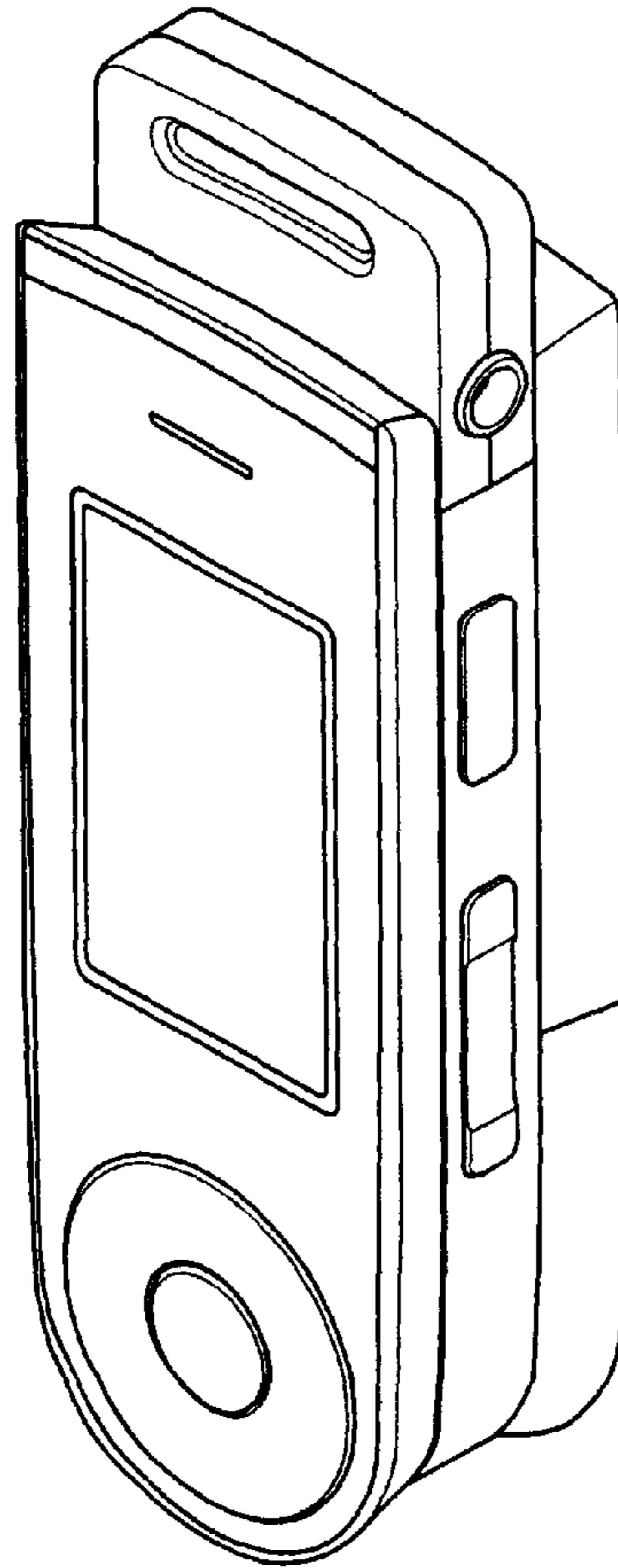


FIGURE 1

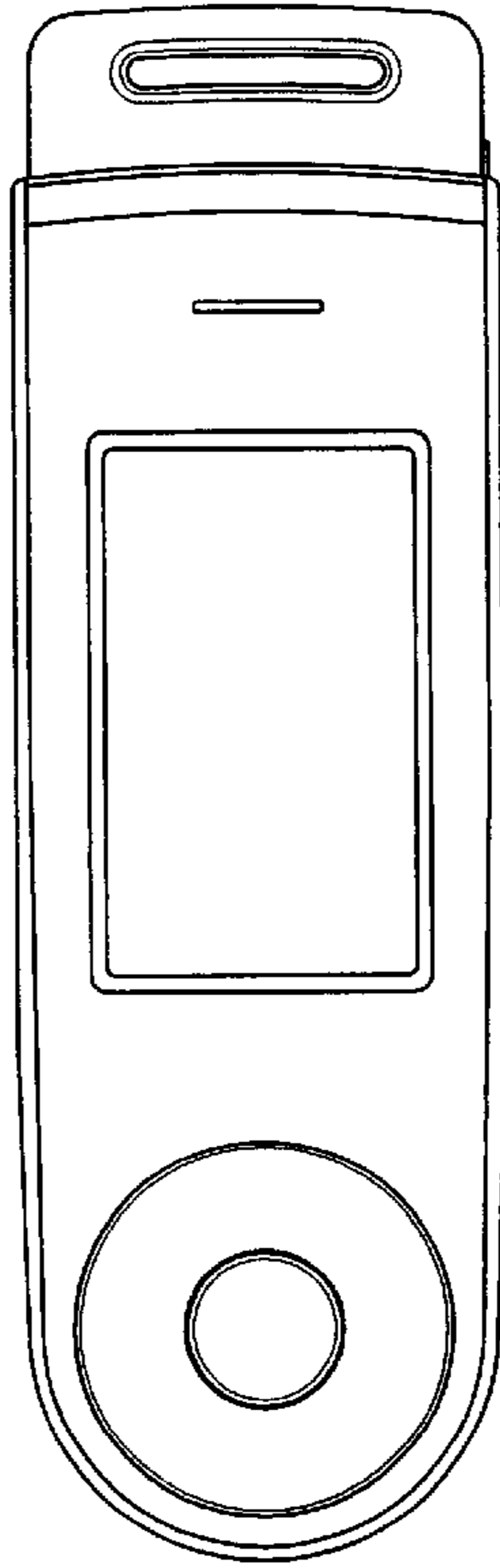


FIGURE 2

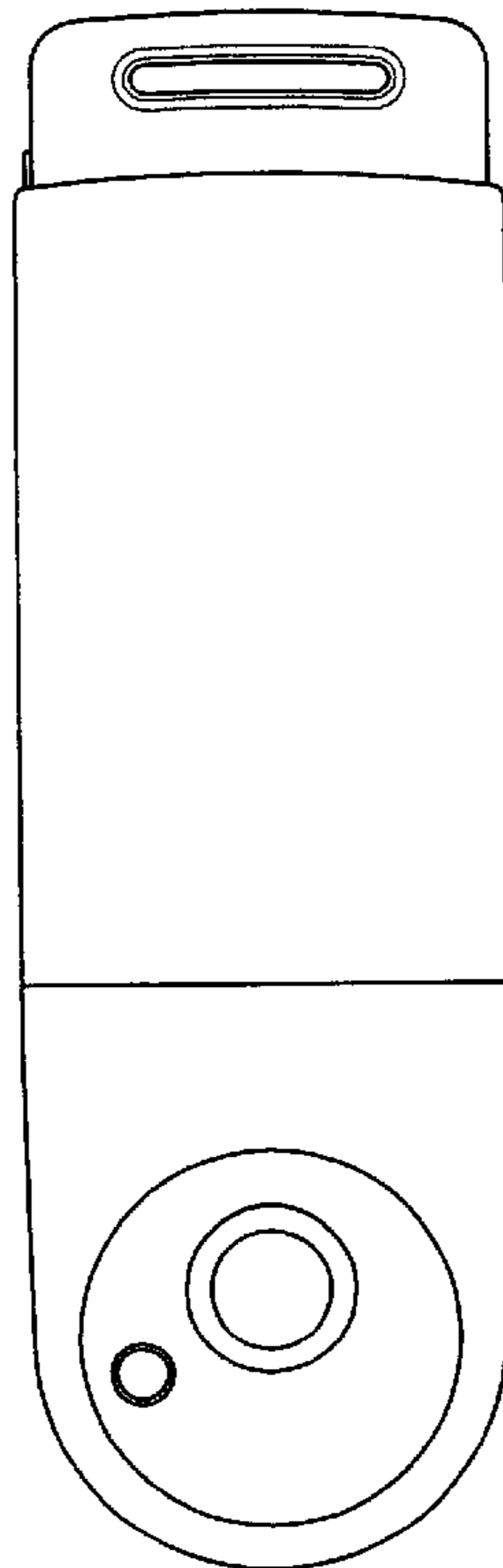


FIGURE 3

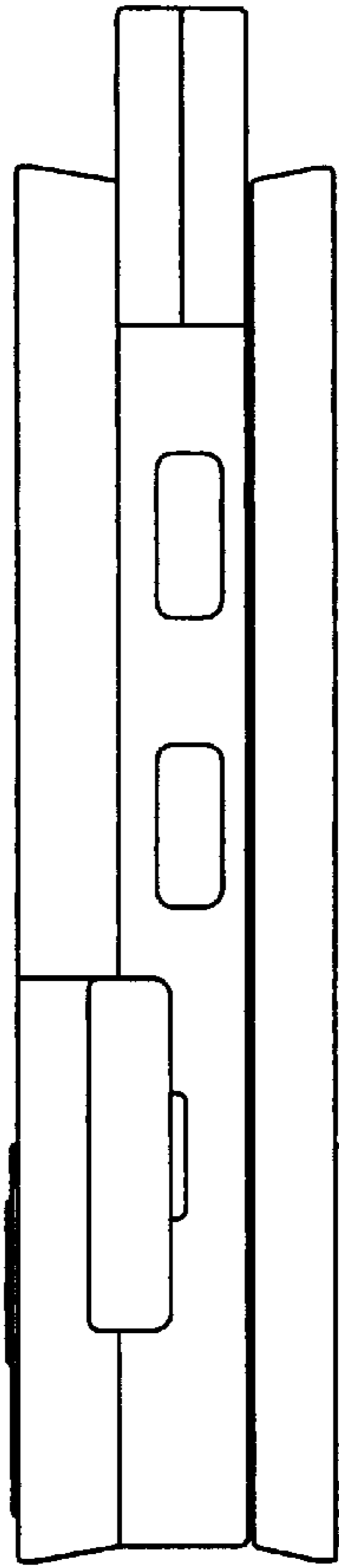
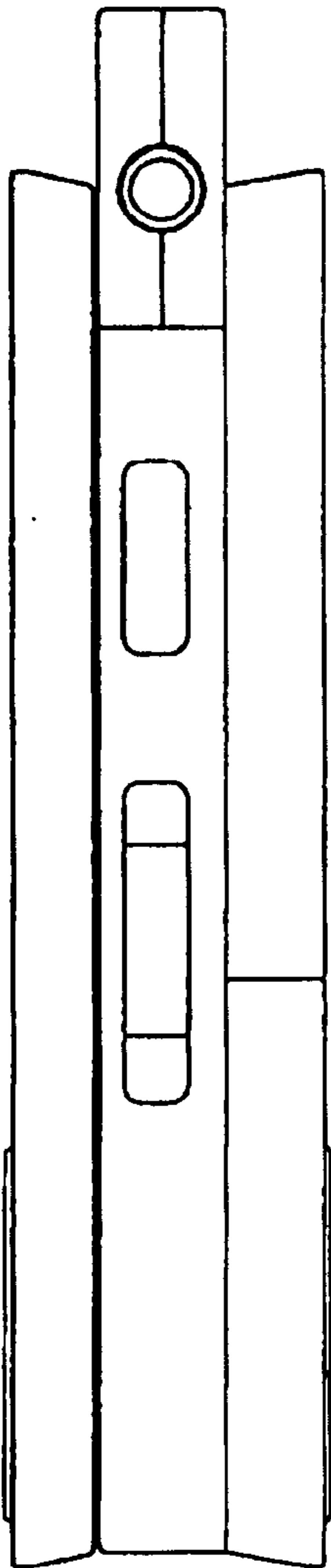


FIGURE 4

FIG. 5



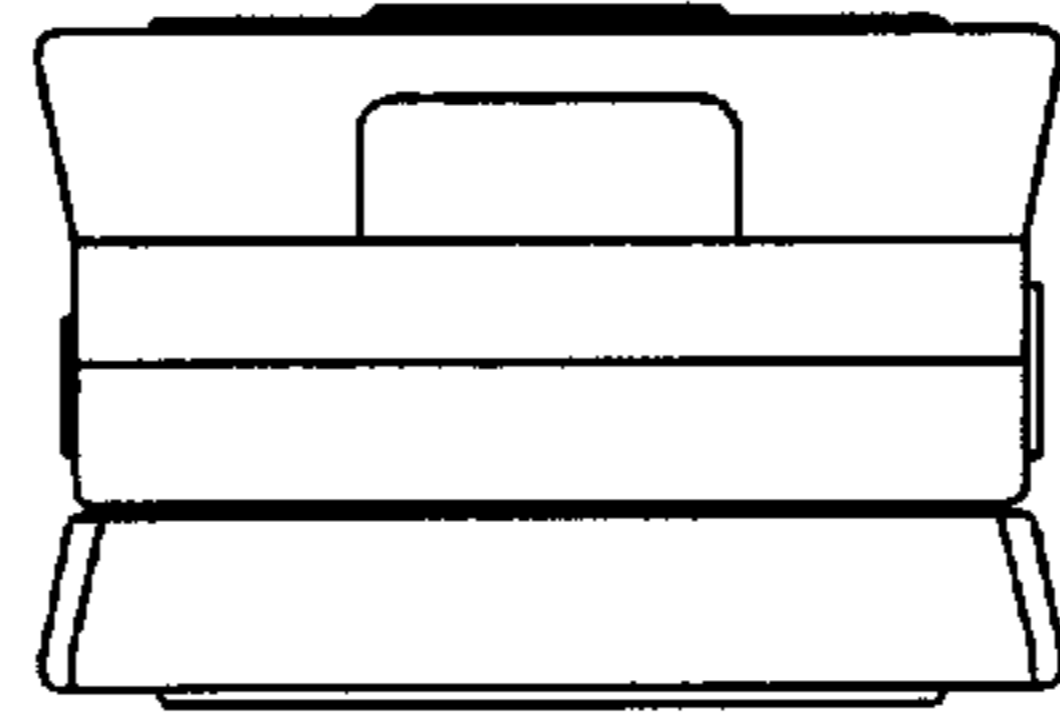


FIGURE 6

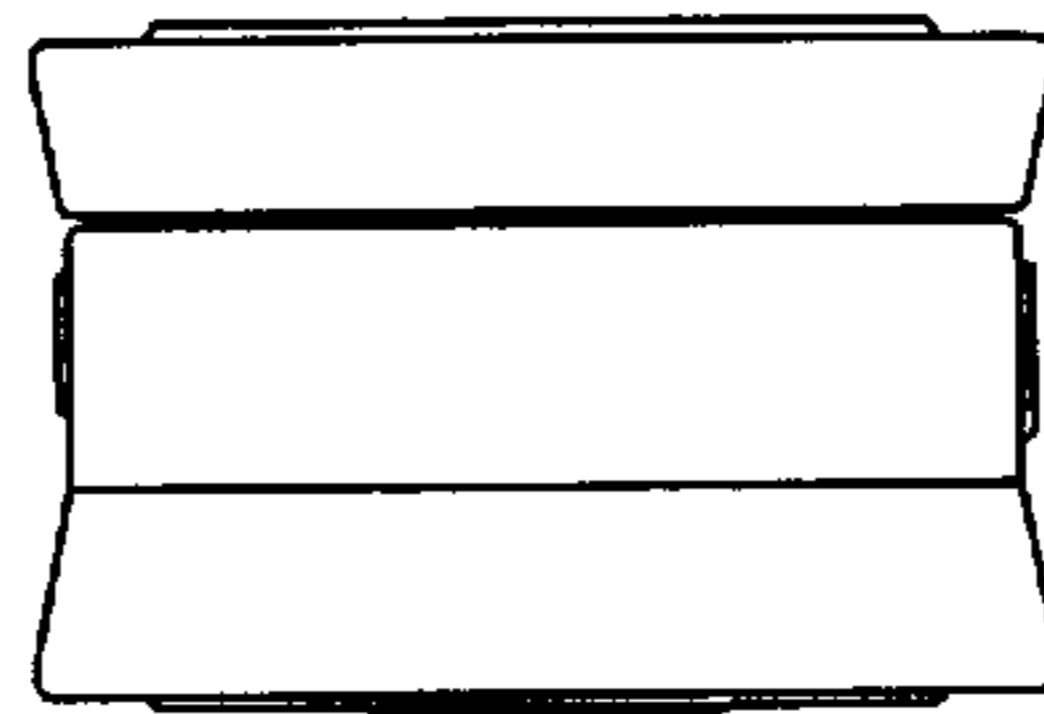


FIGURE 7

FIG. 8

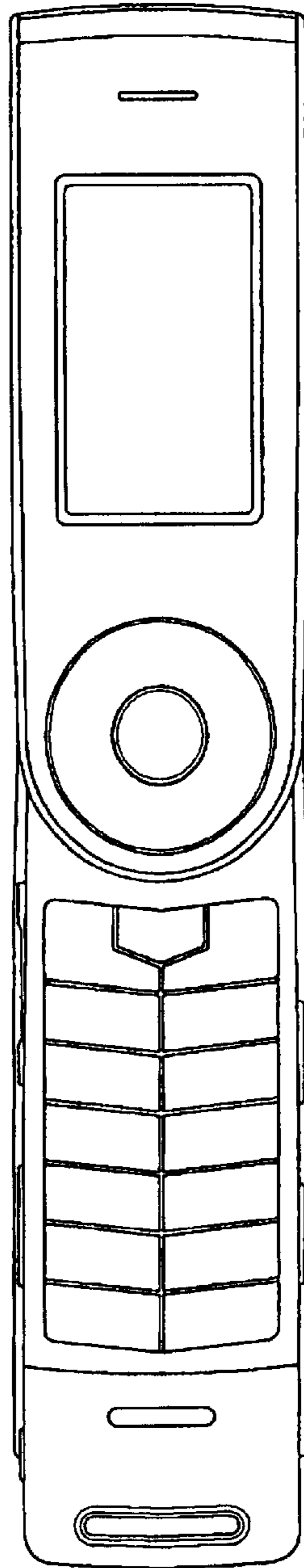


FIG. 9

