



US00D545795S

(12) **United States Design Patent**
Kim et al.

(10) **Patent No.:** **US D545,795 S**

(45) **Date of Patent:** **** Jul. 3, 2007**

(54) **PORTABLE PHONE**

(75) Inventors: **Young-Sae Kim**, Palo Alto, CA (US);
Chi-Young Ahn, Seodaemun-Gu (KR);
Beom-Ku Han, Seoul (KR);
Chang-Hwan Hwang, Goyang-Si (KR)

(73) Assignee: **Samsung Electronics Co., Ltd.**,
Suwon-Si (KR)

(**) Term: **14 Years**

(21) Appl. No.: **29/234,735**

(22) Filed: **Jul. 22, 2005**

(30) **Foreign Application Priority Data**

Jan. 26, 2005 (KR) 30-2005-0002596

(51) **LOC (8) Cl.** **14-03**

(52) **U.S. Cl.** **D14/138**

(58) **Field of Classification Search** D14/191,
D14/138, 147-148, 247-248, 144, 496, 156,
D14/341-347; 379/433.01-433.13; 455/575.3,
455/566, 575.1, 556.1, 556.2, 90.3; D21/517;
D16/208

See application file for complete search history.

(56) **References Cited**

U.S. PATENT DOCUMENTS

3,123,676	A	*	3/1964	Prescott et al.	379/368
D383,130	S	*	9/1997	Waldner	D14/138
D425,056	S	*	5/2000	Edwards et al.	D14/138
D445,412	S	*	7/2001	Lee et al.	D14/138
D489,344	S	*	5/2004	Lee et al.	D14/138
D493,439	S	*	7/2004	Hong et al.	D14/138
D496,020	S	*	9/2004	Lee	D14/138
D501,838	S	*	2/2005	Kim et al.	D14/138
D505,126	S	*	5/2005	Ahn et al.	D14/138
D506,985	S	*	7/2005	Koo et al.	D14/138
D508,032	S	*	8/2005	Kim et al.	D14/138
D508,238	S	*	8/2005	Kim et al.	D14/138
D511,336	S	*	11/2005	Kim et al.	D14/138
D511,507	S	*	11/2005	Chintala et al.	D14/138
D511,509	S	*	11/2005	Kim et al.	D14/138

D512,395	S	*	12/2005	Kim et al.	D14/138
D518,807	S	*	4/2006	Choi et al.	D14/138
D518,811	S	*	4/2006	Shin et al.	D14/138
D518,812	S	*	4/2006	Kim et al.	D14/138
D519,485	S	*	4/2006	Baik et al.	D14/138
D519,972	S	*	5/2006	Chung et al.	D14/138
D520,977	S	*	5/2006	Lee et al.	D14/138
2002/0187818	A1	*	12/2002	Kang	455/575
2003/0013417	A1	*	1/2003	Bum	455/90
2003/0223576	A1	*	12/2003	Totani	379/433.04
2004/0203527	A1	*	10/2004	Matsumoto	455/90.3
2005/0124392	A1	*	6/2005	Jeong	455/575.1
2006/0142053	A1	*	6/2006	Garcia et al.	455/556.1

OTHER PUBLICATIONS

Samsung P900 telephone, announced Feb. 2006, [online], [retrieved on Dec. 10, 2006]. Retrieved from Internet ,<URL: http://www.gsmarena.com>.*

Samsung P940 telephone, announced Dec. 2006, [online], [retrieved on Dec. 10, 2006]. Retrieved from Internet ,<URL: http://www.gsmarena.com>.*

Samsung P920 telephone, announced 2ndQ, 2006, [online], [retrieved on Dec. 10, 2006]. Retrieved from Internet ,<URL: http://www.gsmarena.com>.*

* cited by examiner

Primary Examiner—Jeffrey Asch

(74) *Attorney, Agent, or Firm*—Staas & Halsey LLP

(57) **CLAIM**

The ornamental design for the portable phone, as shown and described.

DESCRIPTION

FIG. 1 is a perspective view of the portable phone showing our design;

FIG. 2 is a front view thereof;

FIG. 3 is a rear view thereof;

FIG. 4 is a left side view thereof;

FIG. 5 is a right side view thereof;

FIG. 6 is a top plan view thereof;

FIG. 7 is a bottom plan view thereof; and,

FIG. 8 is an open view thereof.

1 Claim, 6 Drawing Sheets

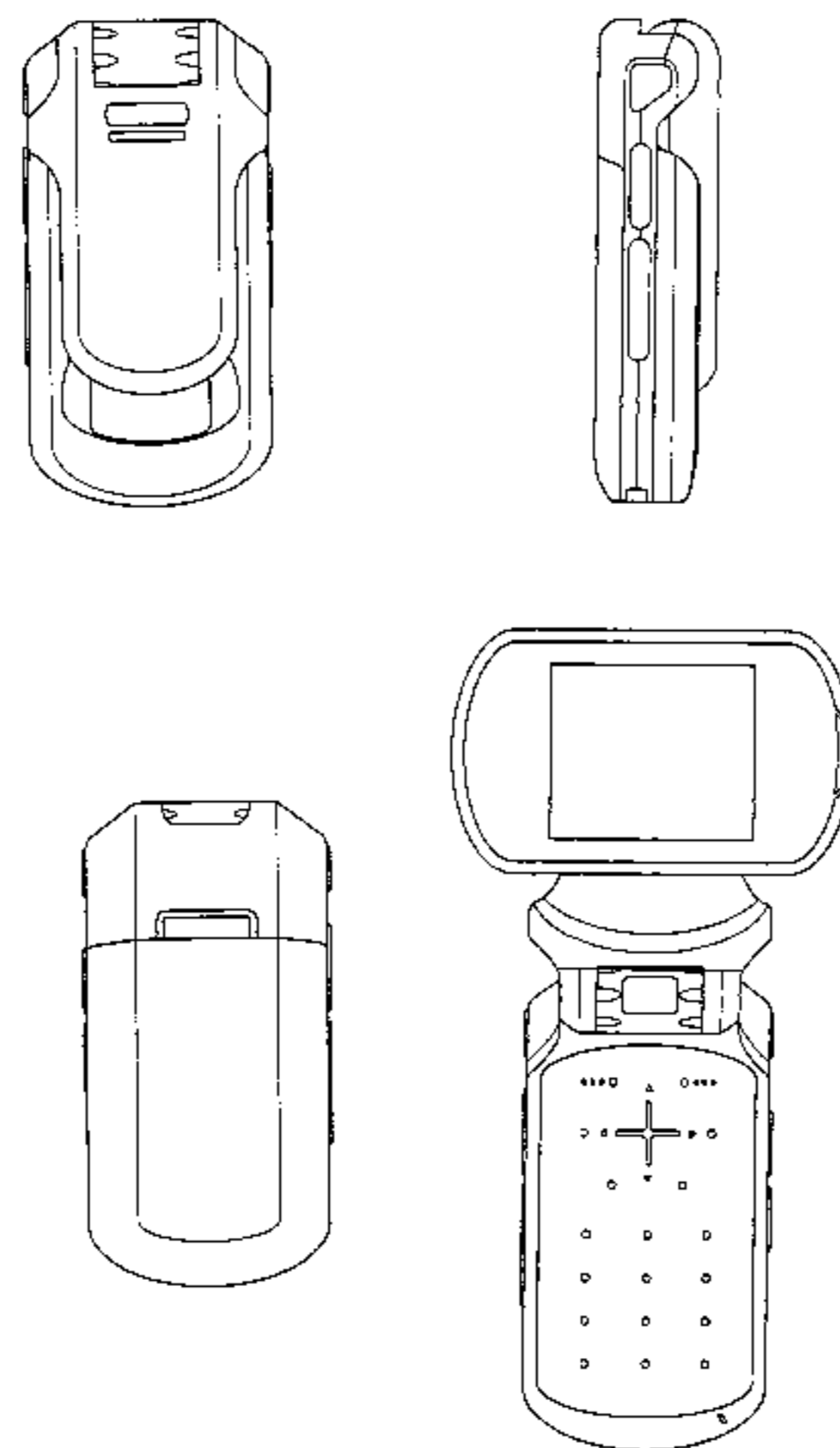


FIG. 1

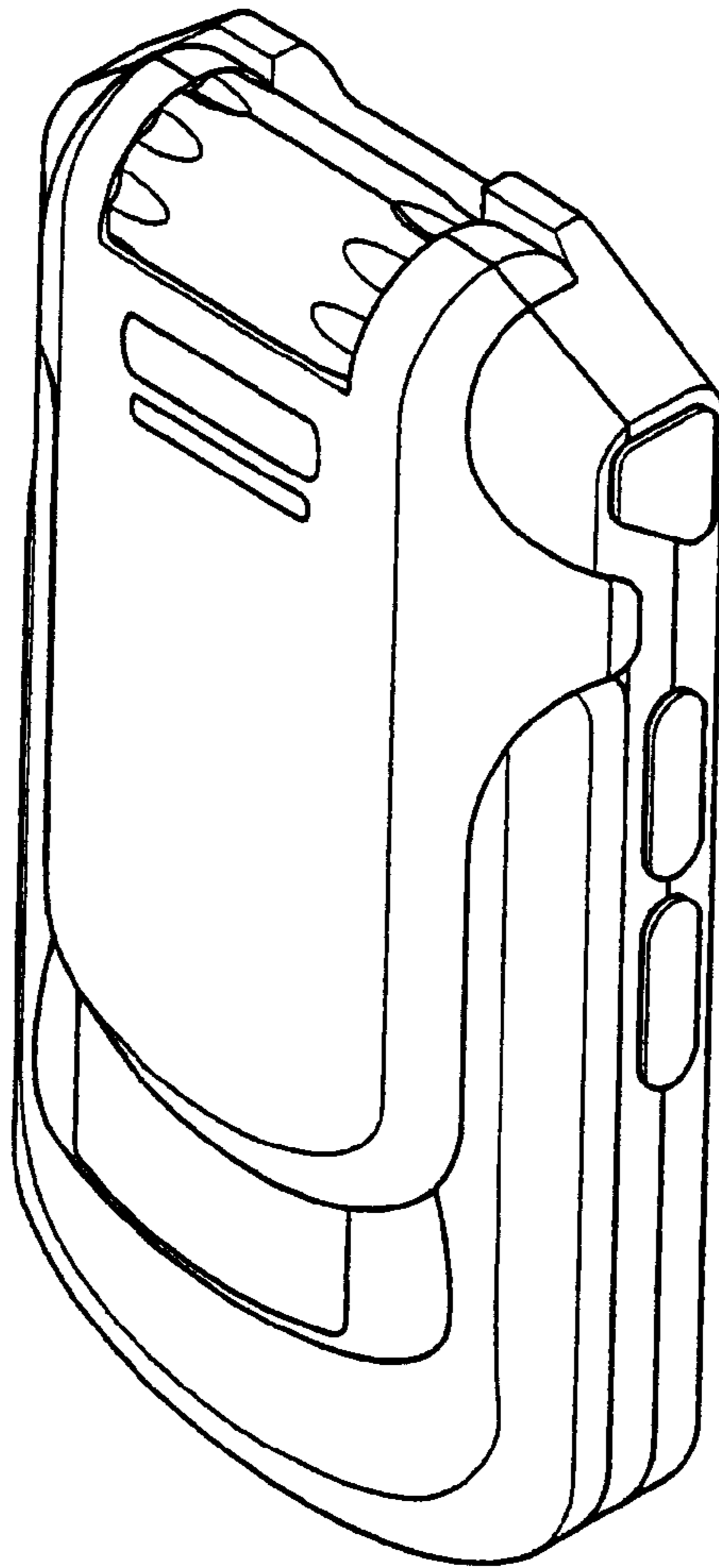


FIG. 2

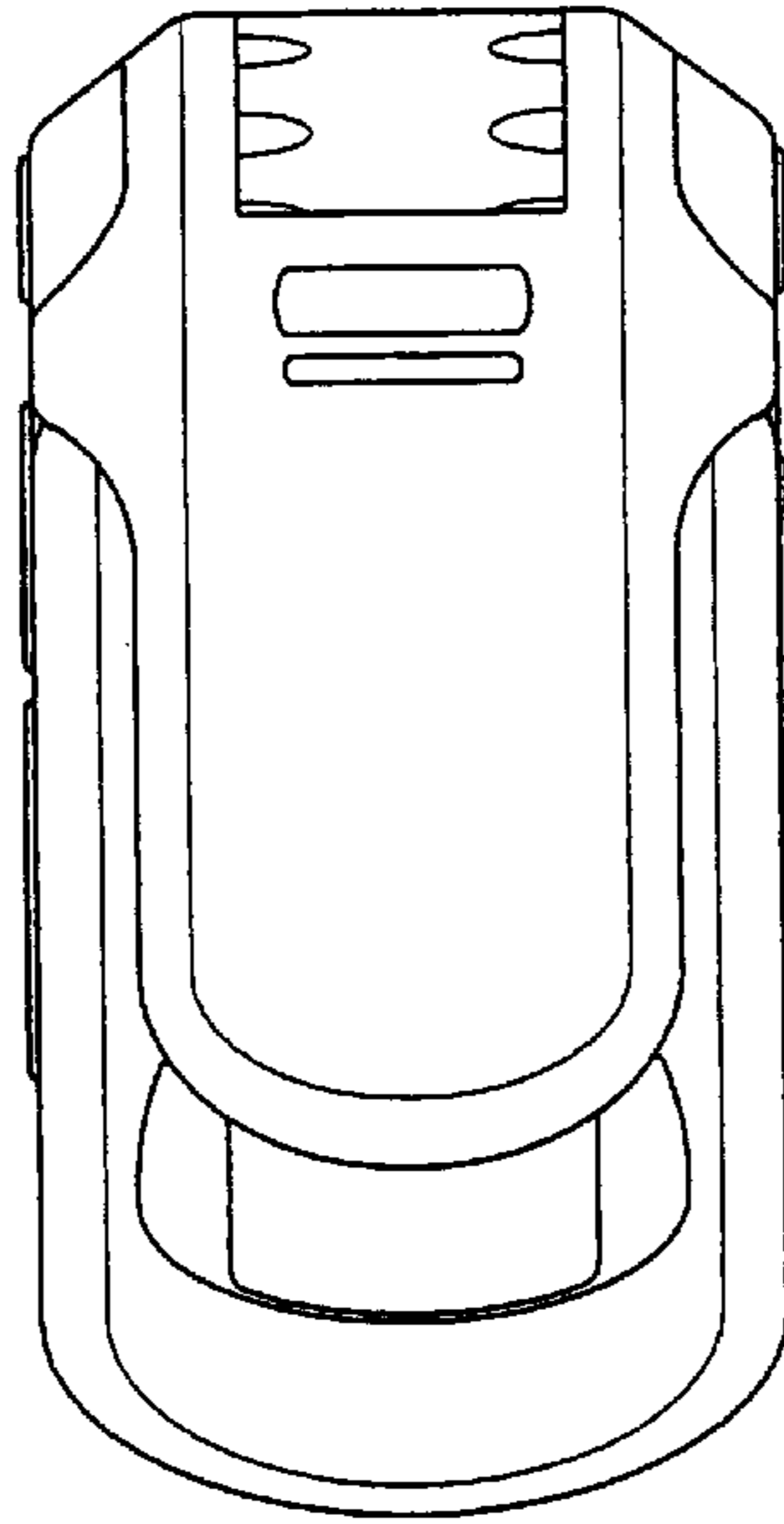


FIG. 3

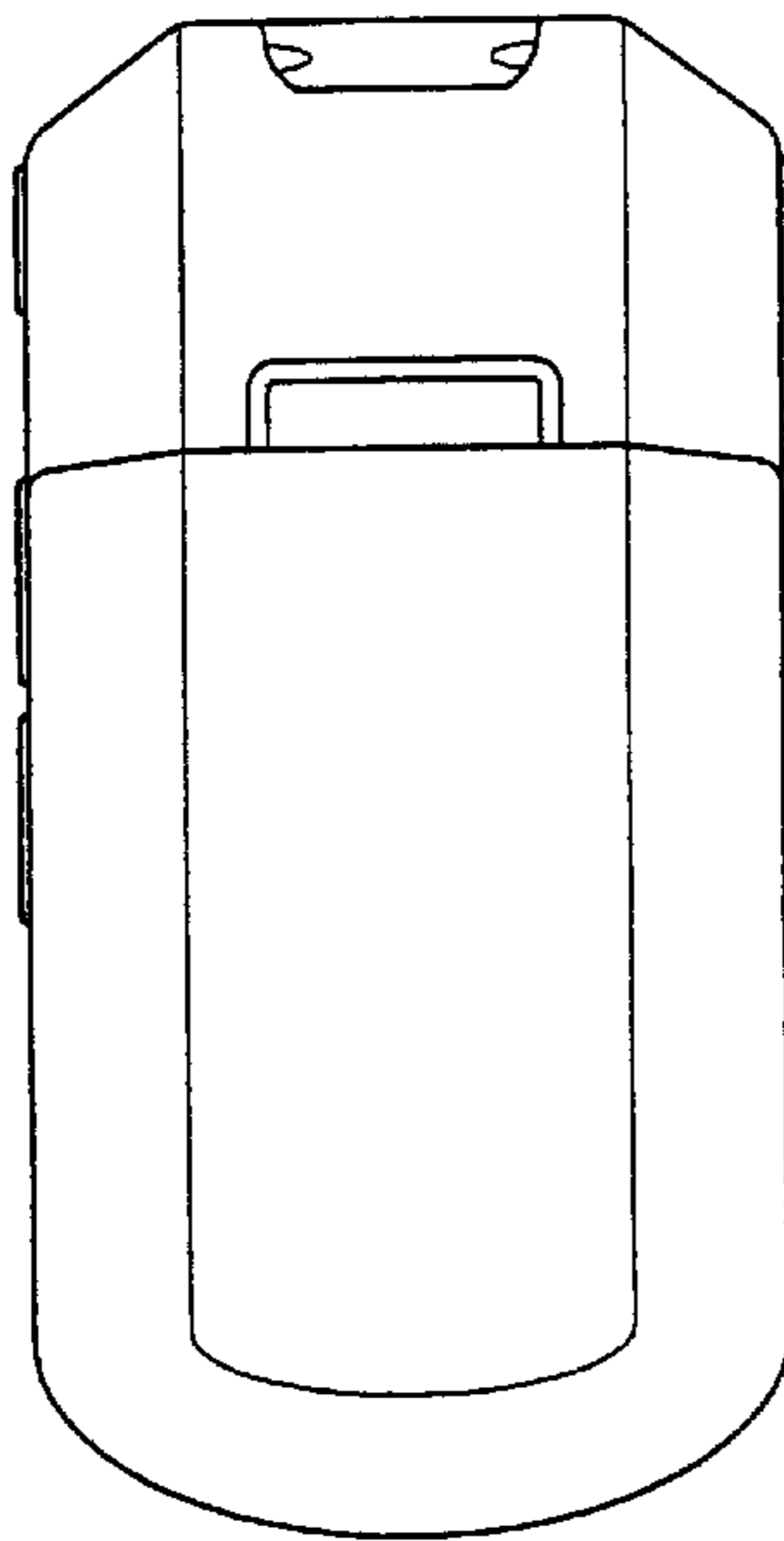


FIG. 4

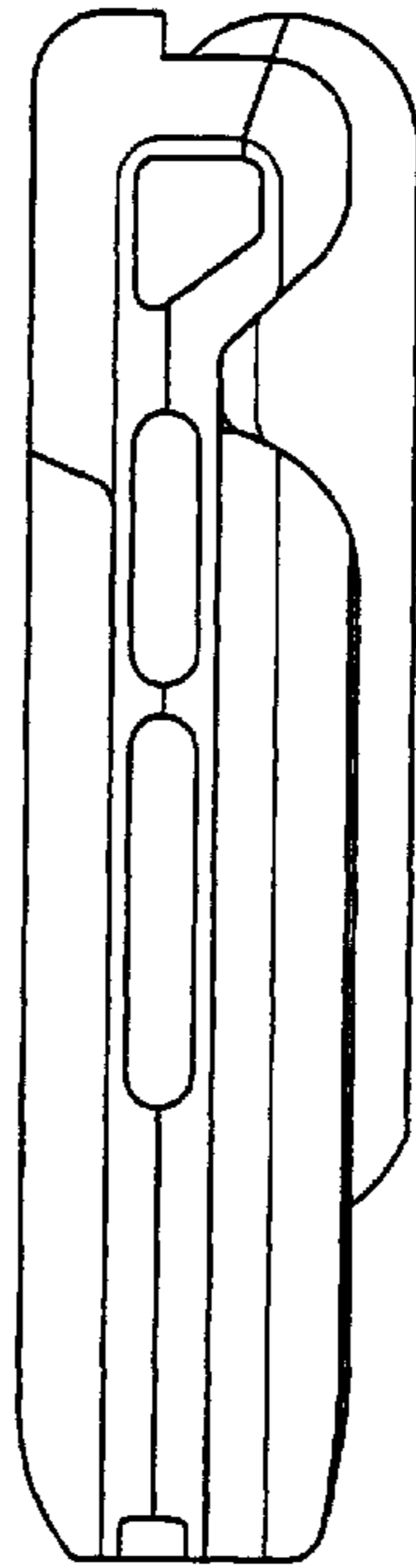


FIG. 5

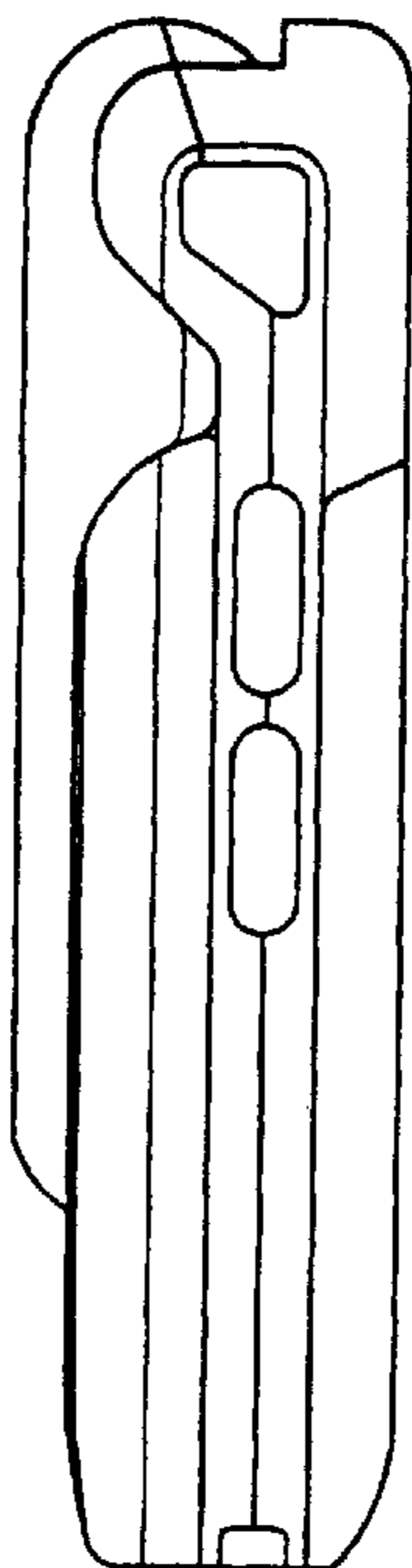


FIG. 6

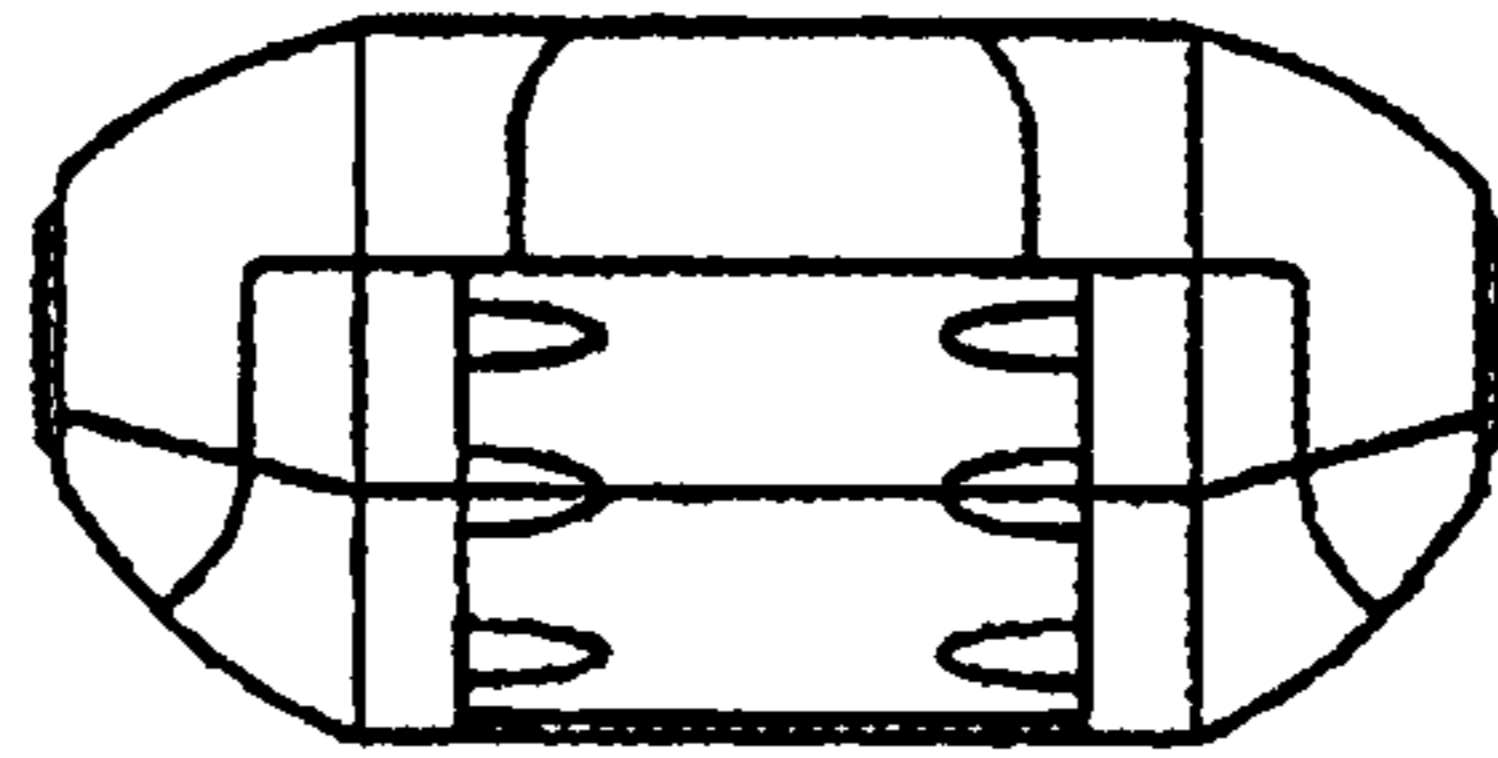


FIG. 7

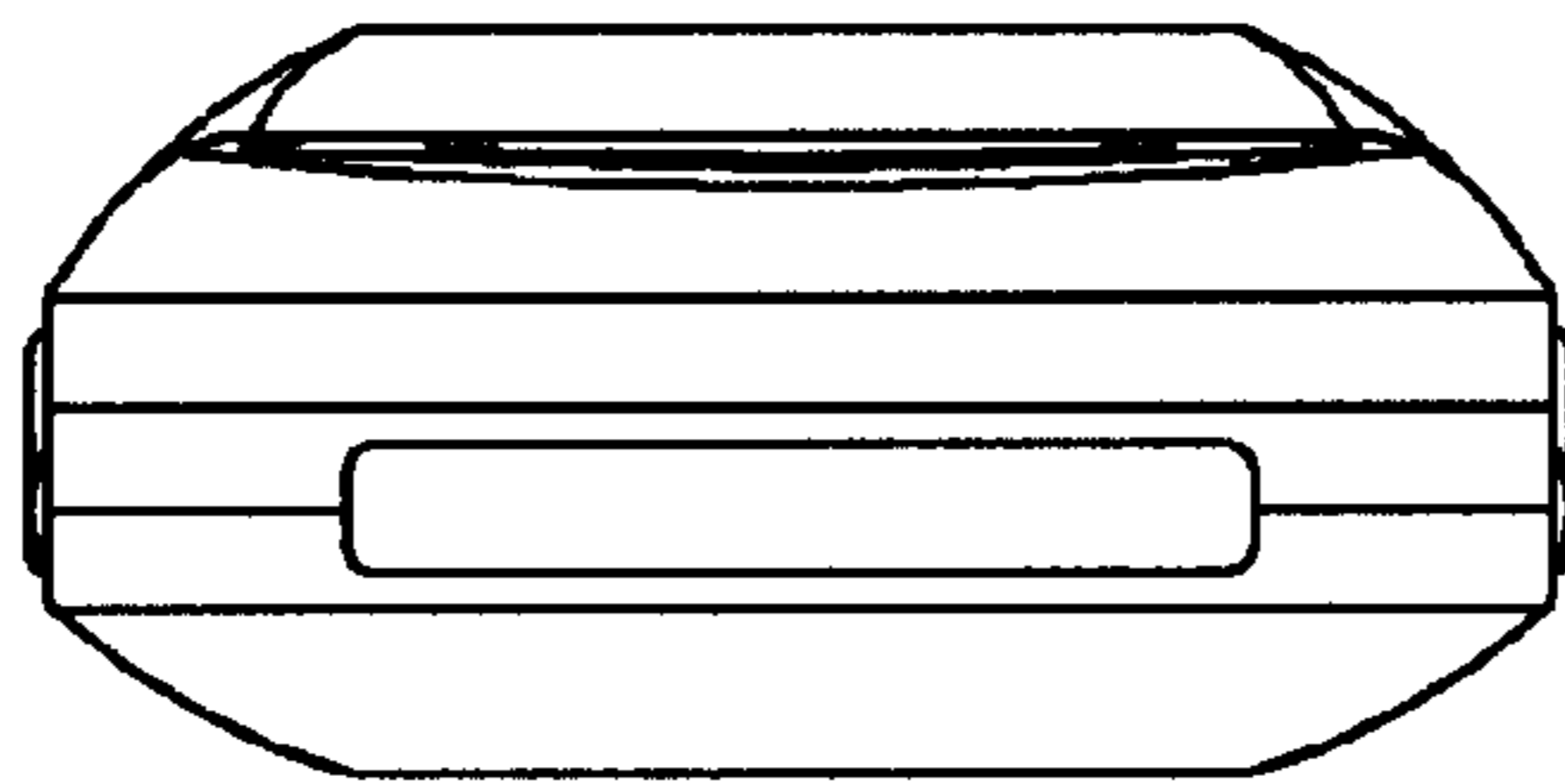


FIG. 8

