

US00D545785S

(12) **United States Design Patent**
Riggs

(10) **Patent No.:** **US D545,785 S**
(45) **Date of Patent:** **** Jul. 3, 2007**

(54) **MULTIPLY INTERCONNECTABLE ENVIRONMENTALLY INTERACTIVE CHARACTER SIMULATION MODULE**

(75) Inventor: **Andrew J. Riggs**, Lewisville, TX (US)

(73) Assignee: **Radica Games Ltd.**, Hamilton (BM)

(**) Term: **14 Years**

(21) Appl. No.: **29/233,875**

(22) Filed: **Jul. 11, 2005**

(51) **LOC (8) Cl.** **14-03**

(52) **U.S. Cl.** **D14/127; D14/126; D21/329**

(58) **Field of Classification Search** D14/125-134, D14/239, 371, 136, 374-377; 312/7.2; 348/836, 348/838, 180, 184, 325, 739; 341/12; 248/917-924, 248/465; 345/104, 133, 156, 168, 87, 173; 720/605, 669, 600, 655; 369/99, 197; 455/344-347
See application file for complete search history.

(56) **References Cited**

U.S. PATENT DOCUMENTS

D169,363 S *	4/1953	Ellison	D14/127
D248,947 S *	8/1978	Graham	D14/129
D276,343 S	11/1984	Enomoto		
D281,502 S *	11/1985	Wheeler	D14/496
4,833,542 A *	5/1989	Hara et al.	348/383
4,884,068 A *	11/1989	Matheny et al.	345/1.3
D311,003 S	10/1990	Isonaga		
D314,958 S	2/1991	Miyahara et al.		
D315,556 S	3/1991	Lim		

D325,201 S	4/1992	Nakatsuka		
D353,805 S	12/1994	Lewis		
5,537,127 A *	7/1996	Jingu	345/1.3
D397,370 S	8/1998	Chen		
D415,744 S *	10/1999	Carter et al.	D14/373
D420,662 S	2/2000	Amron		
D439,223 S *	3/2001	Sheckler	D14/127
2006/0154711 A1 *	7/2006	Ellis et al.	463/30
2006/0172787 A1 *	8/2006	Ellis et al.	463/1

* cited by examiner

Primary Examiner—Raphael Barkai

(74) *Attorney, Agent, or Firm*—Bell, Boyd & Lloyd LLP

(57) **CLAIM**

The ornamental design for a multiply interconnectable environmentally interactive character simulation module, as shown and described herein.

DESCRIPTION

FIG. 1 is a perspective view of a multiply interconnectable environmentally interactive character simulation module showing my new design;

FIG. 2 is a front view thereof;

FIG. 3 is a rear view thereof;

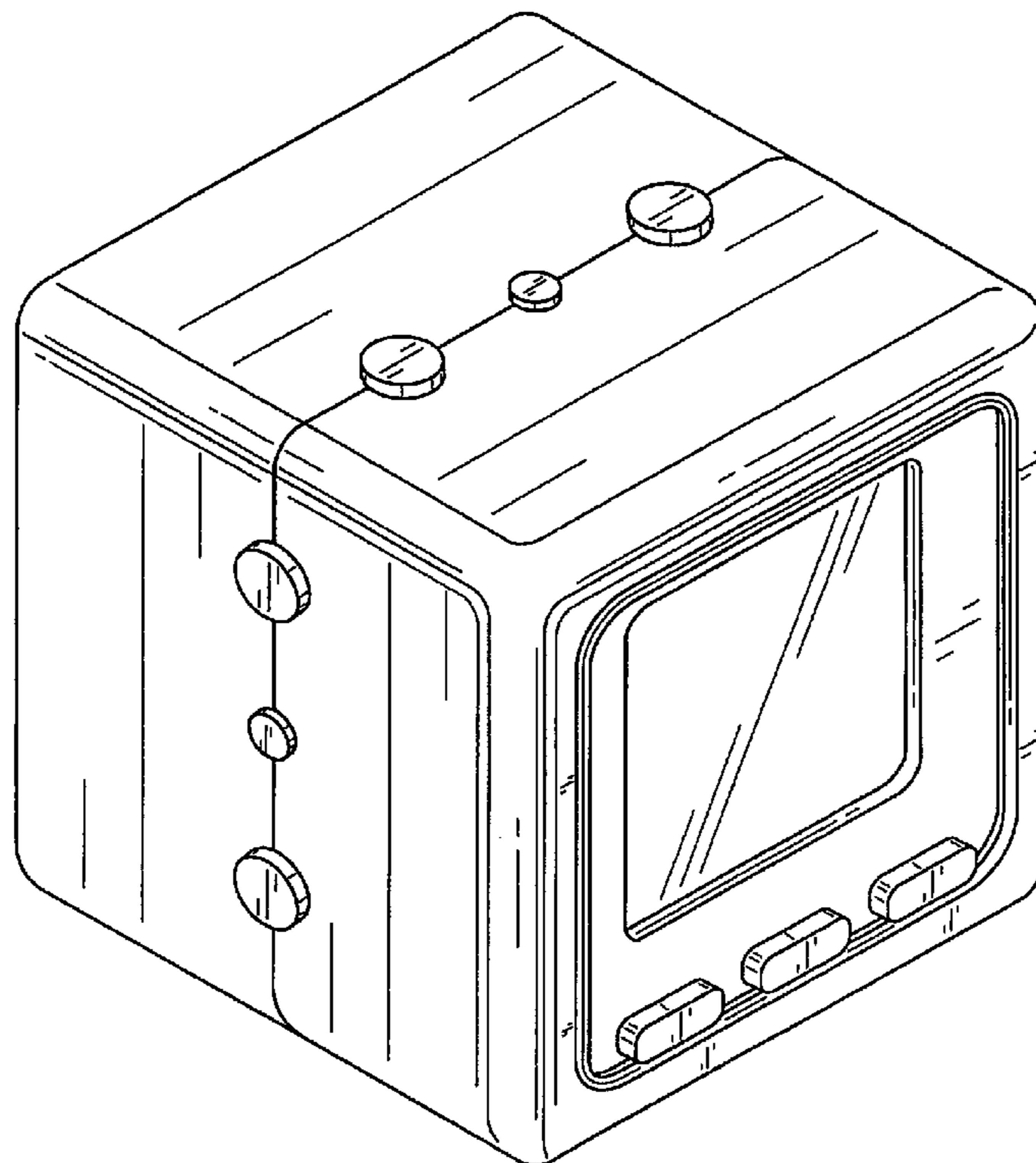
FIG. 4 is a left side view thereof;

FIG. 5 is a right side view thereof;

FIG. 6 is a top plan view thereof; and,

FIG. 7 is a bottom plan view thereof.

1 Claim, 7 Drawing Sheets



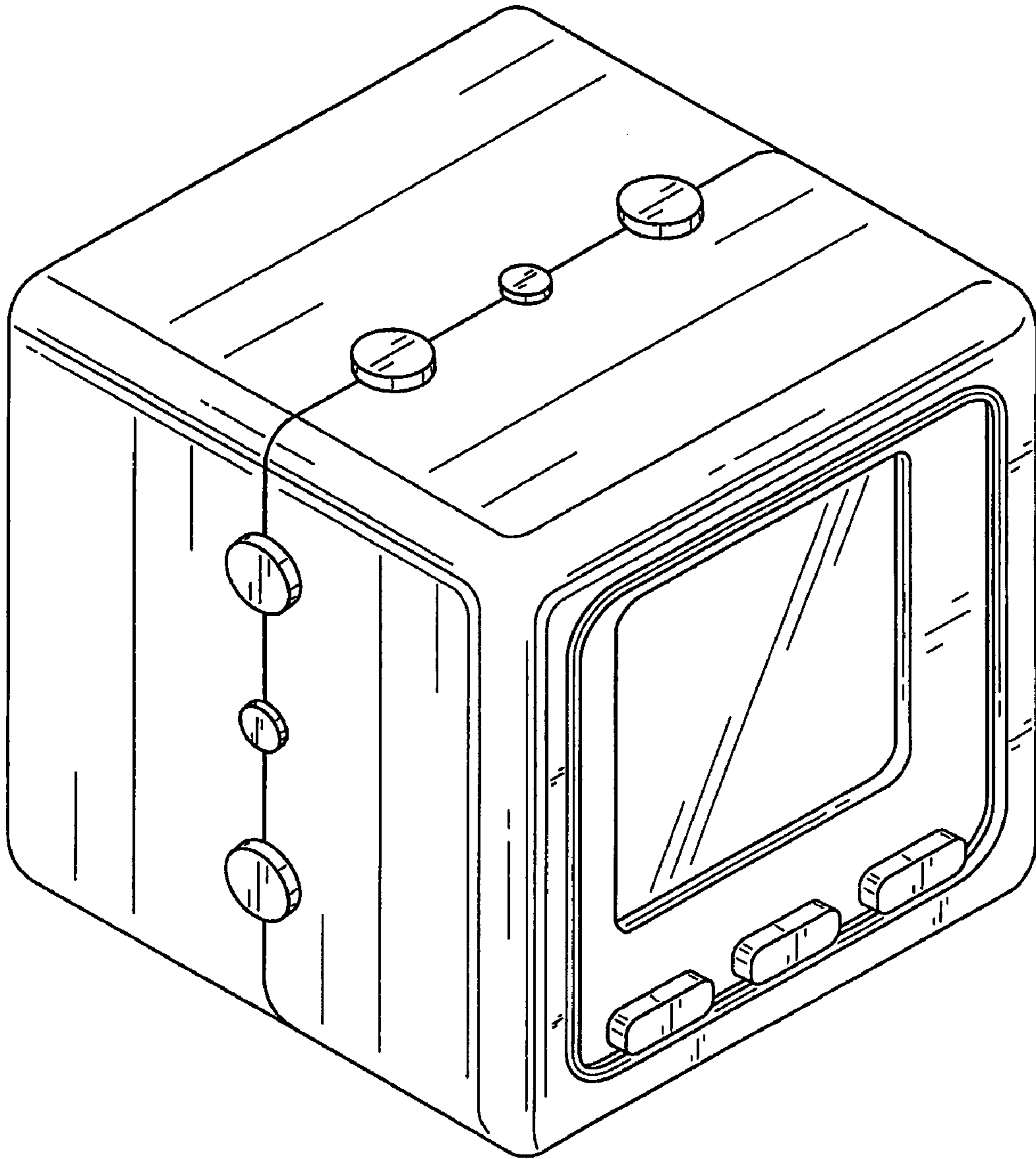


FIG. 1

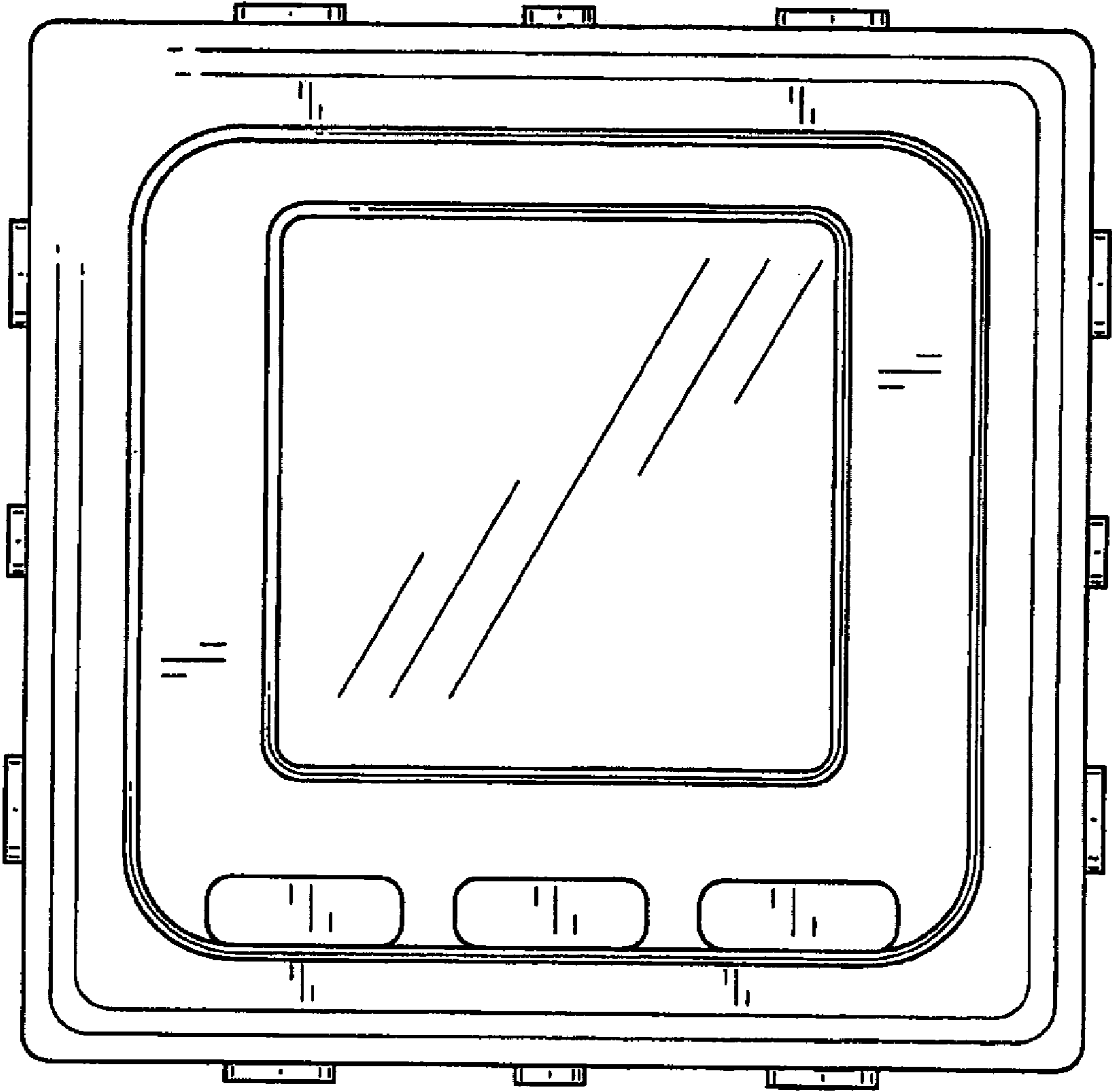


FIG. 2

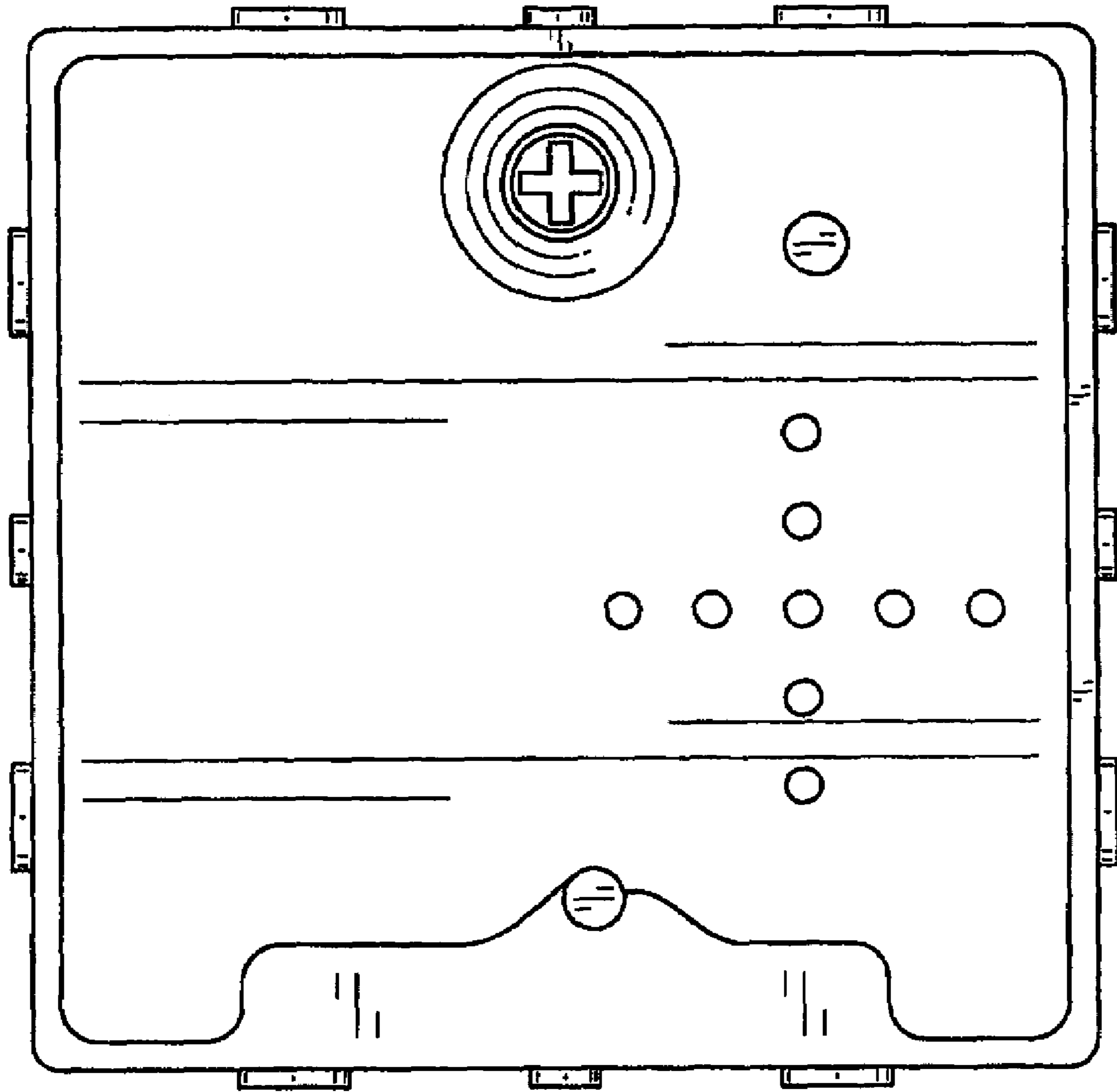


FIG. 3

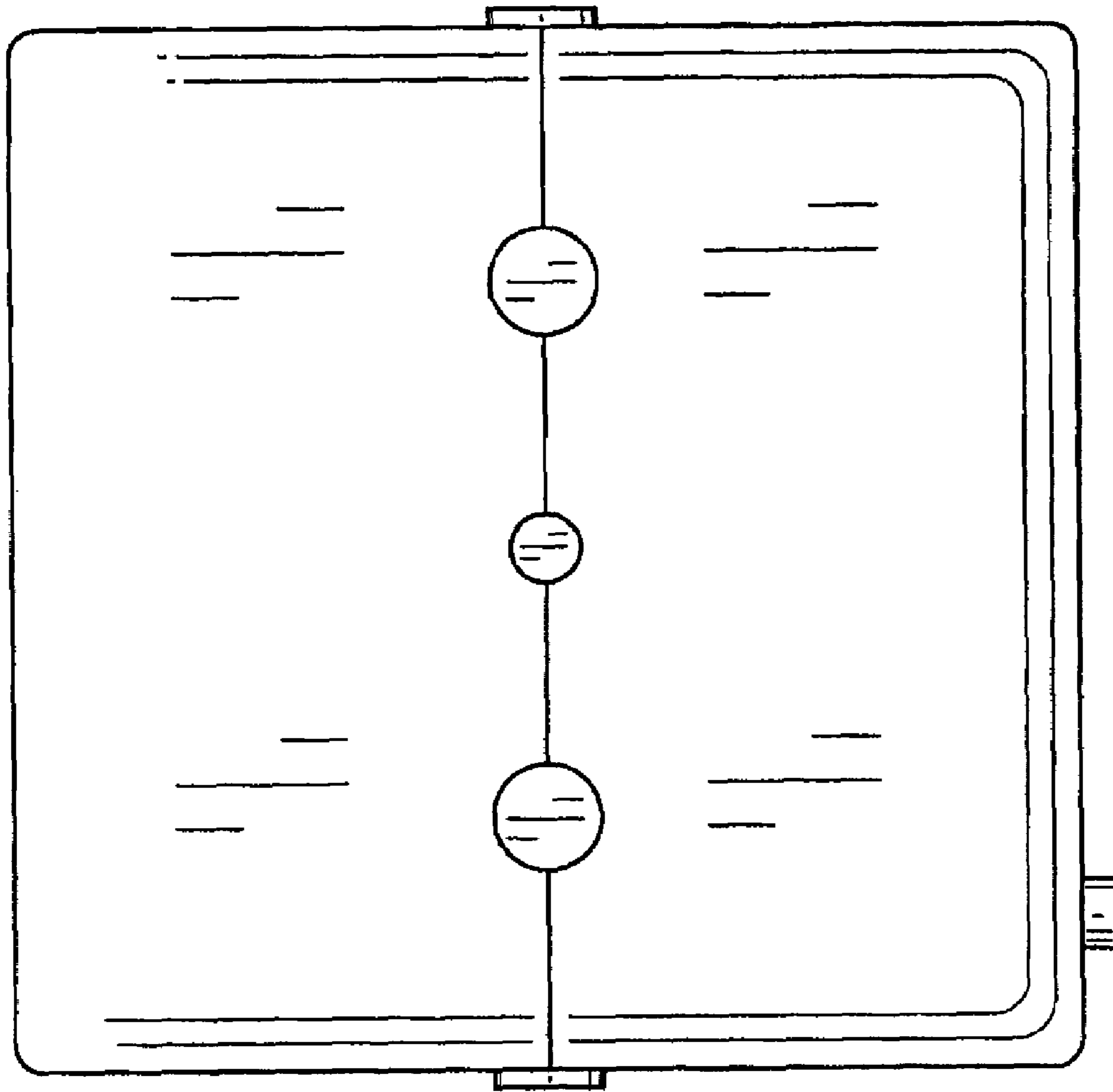


FIG. 4

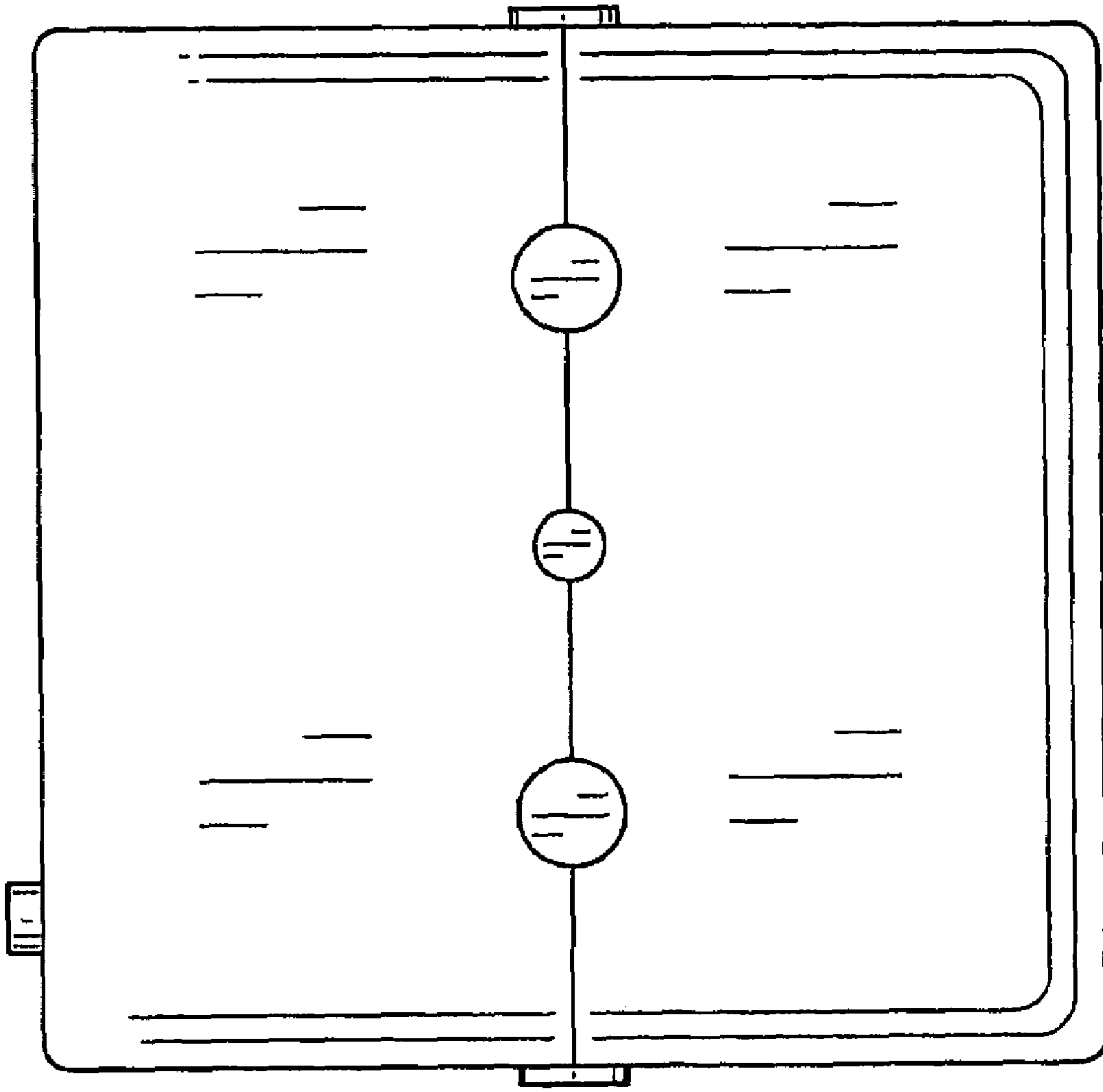


FIG. 5

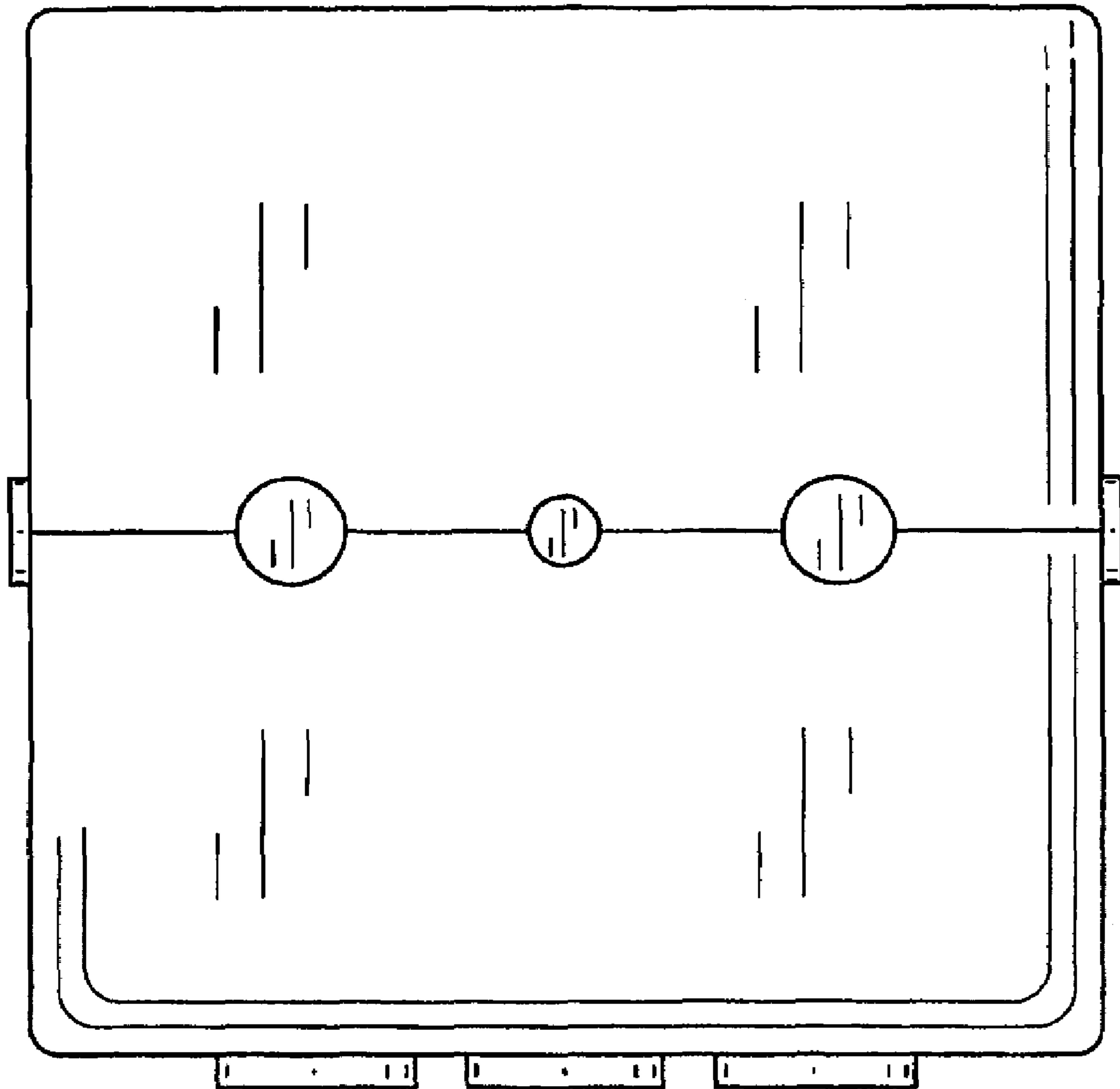


FIG. 6

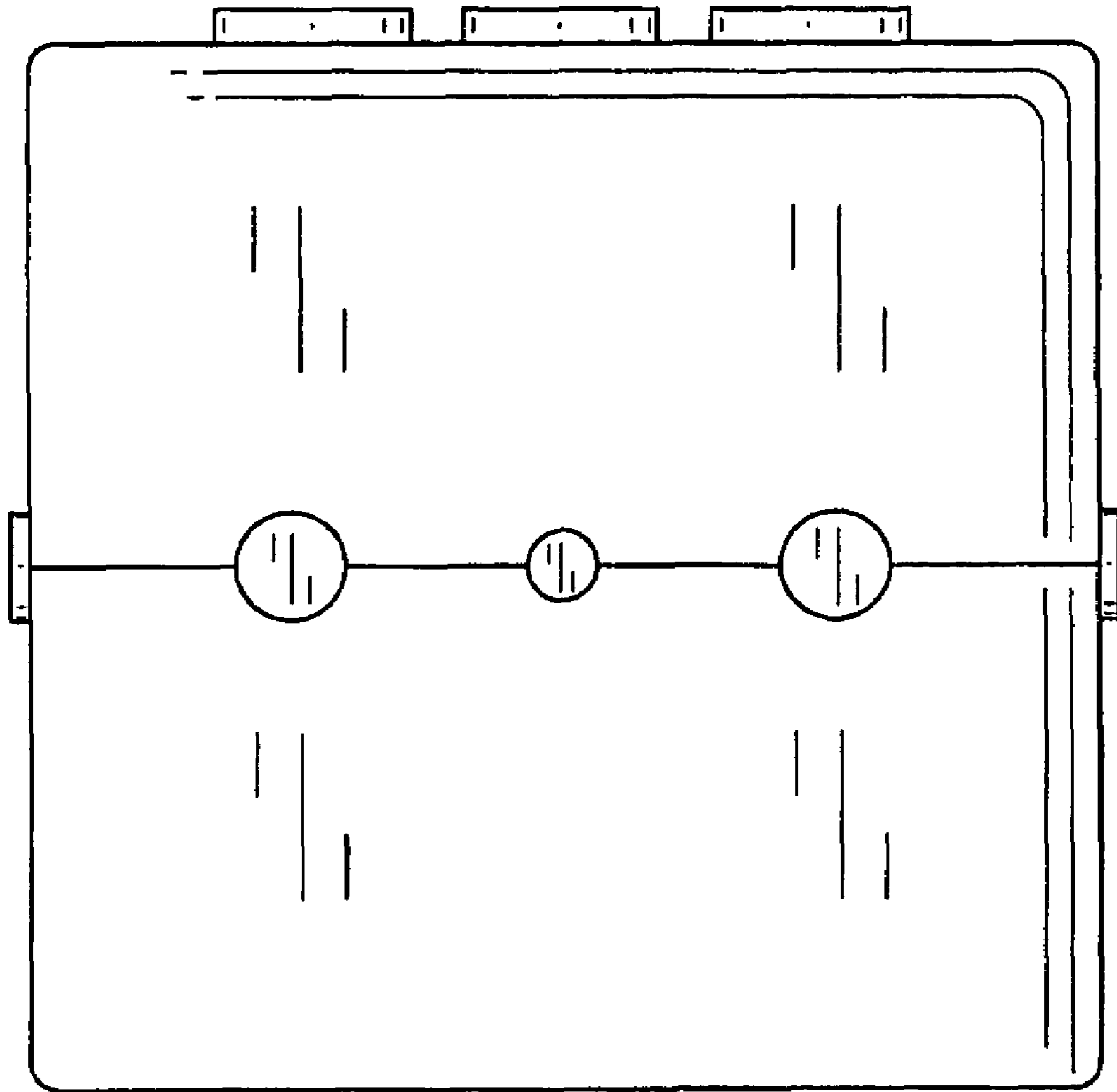


FIG. 7