

US00D545784S

(12) **United States Design Patent**
Dayan

(10) **Patent No.:** **US D545,784 S**

(45) **Date of Patent:** **** Jul. 3, 2007**

(54) **DISPLAY DEVICE**

(75) Inventor: **Maurice S. Dayan**, Oakhurst, NJ (US)

(73) Assignee: **Intellectual Solutions, Inc.**

(**) Term: **14 Years**

(21) Appl. No.: **29/275,923**

(22) Filed: **Jan. 10, 2007**

D484,131 S	12/2003	Olson	
D487,762 S	3/2004	Huang	
D489,731 S *	5/2004	Huang D14/496
D494,970 S	8/2004	Chen	
6,795,111 B1 *	9/2004	Mazzilli 348/148
D504,890 S	5/2005	Sung	
D506,195 S	6/2005	Leveridge	
D508,034 S	8/2005	Liao	
D508,710 S	8/2005	Nagai	
D510,576 S	10/2005	Summit	
D514,558 S	2/2006	Nagel	
D515,562 S	2/2006	Rodarte	

Related U.S. Application Data

(63) Continuation of application No. 29/258,861, filed on Apr. 28, 2006, now Pat. No. Des. 536,016.

(51) **LOC (8) Cl.** **14-03**

(52) **U.S. Cl.** **D14/126; D14/129; D16/237**

(58) **Field of Classification Search** D14/126,
D14/129, 334, 336, 371, 374, 375, 378, 380,
D14/381; D16/202, 203, 208, 218; 248/917-924;
345/905; 348/118, 148, 794, 836, 838; 396/429,
396/535, 540, 541; 361/681

See application file for complete search history.

(56) **References Cited**

U.S. PATENT DOCUMENTS

3,538,250 A *	11/1970	Franklin, Sr. et al. 348/838
D262,701 S *	1/1982	Yoshiyuki D14/381
D284,861 S *	7/1986	Groetzner et al. D14/381
D306,019 S *	2/1990	Matsudaira et al. D14/126
D373,580 S	9/1996	Nakada	
D381,966 S *	8/1997	Rodd D14/374
D425,558 S	5/2000	Tarpenning	
D438,849 S *	3/2001	Adachi et al. D14/126
D451,097 S	11/2001	Schmeisser	
D451,505 S	12/2001	Iseki	
D463,432 S	9/2002	Bruckner	
D470,140 S	2/2003	Lin	
6,561,600 B1 *	5/2003	Seeley et al. 348/838
D481,057 S	10/2003	Brady	
D483,361 S	12/2003	Yao	

* cited by examiner

Primary Examiner—Adir Aronovich

(74) *Attorney, Agent, or Firm*—Brian L. Belles; Wolf, Block, Schorr & Solis & Solis-Cohen LLP

(57) **CLAIM**

The ornamental design for a display device, as shown and described.

DESCRIPTION

FIG. 1 is a top, front perspective view of a display device showing my new design;

FIG. 2 is a bottom, front perspective view of the display device of FIG. 1;

FIG. 3 is a front view of the display device of FIG. 1.

FIG. 4 is a rear view of the display device of FIG. 1.

FIG. 5 is a left-side view of the display device of FIG. 1.

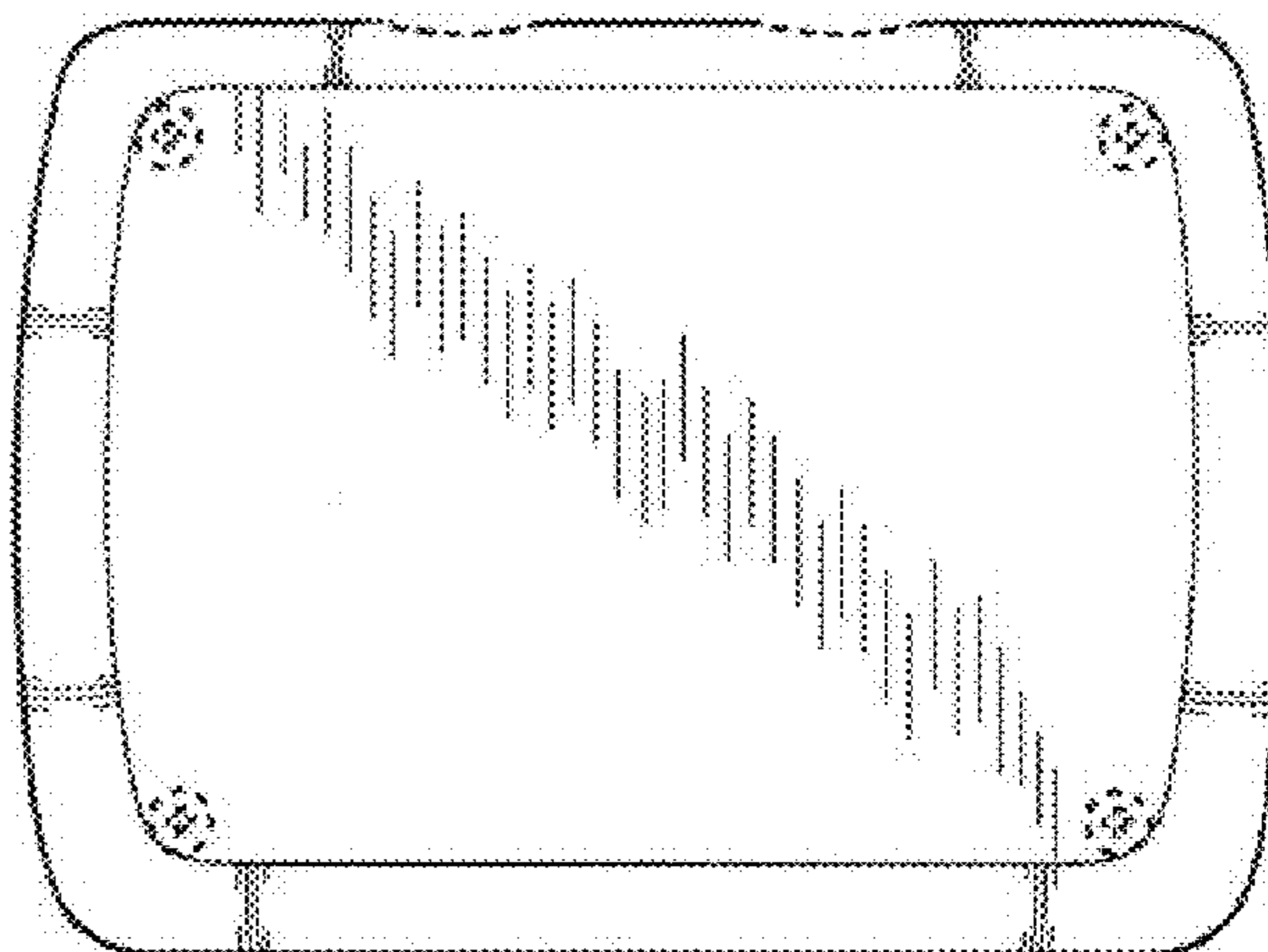
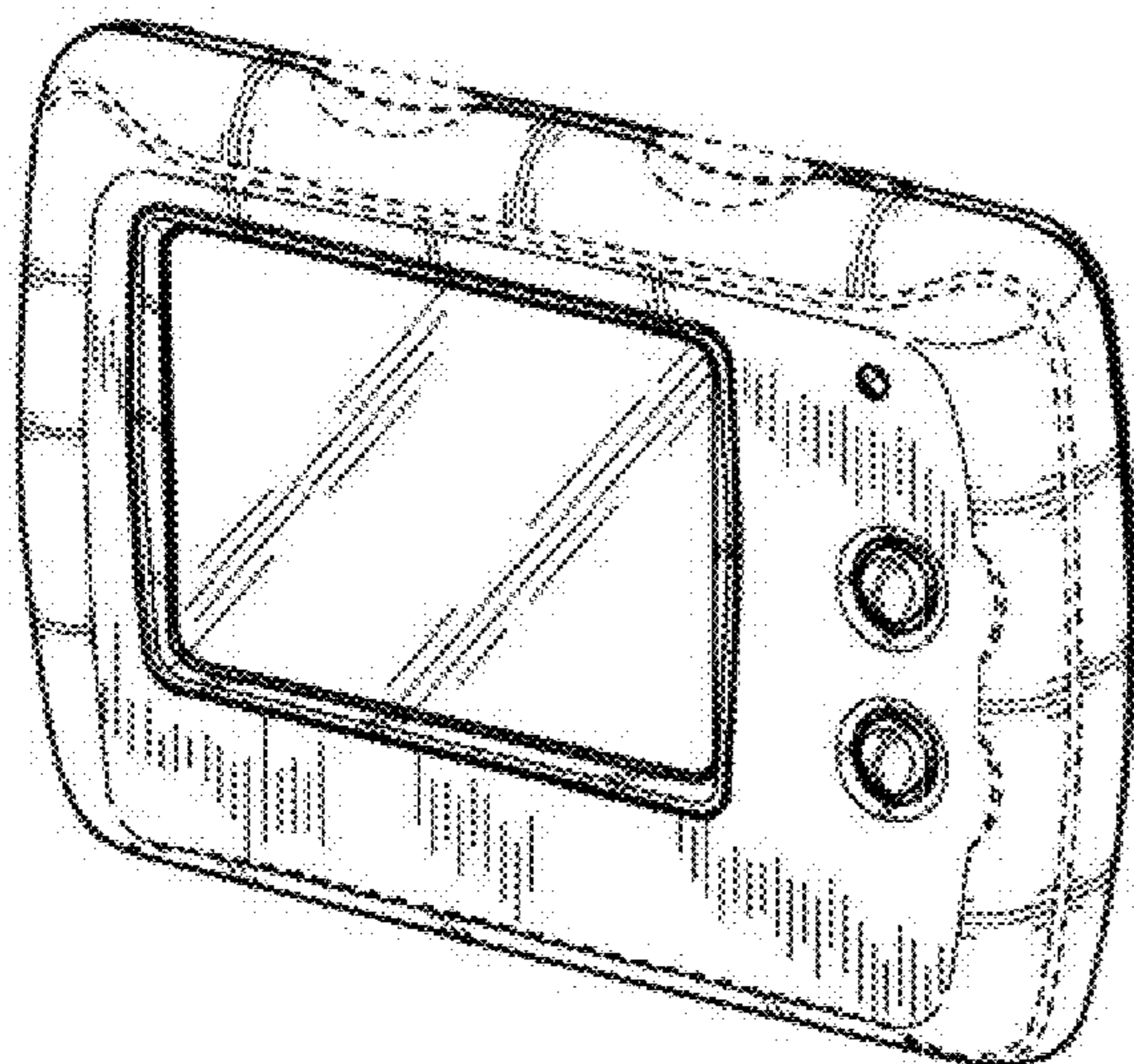
FIG. 6 is a right-side view of the display device of FIG. 1.

FIG. 7 is a top view of the display device of FIG. 1; and,

FIG. 8 is a bottom view of the display device of FIG. 1.

The portions of the display device in broken lines are shown for illustrative purposes only and form no part of the claimed design.

1 Claim, 8 Drawing Sheets



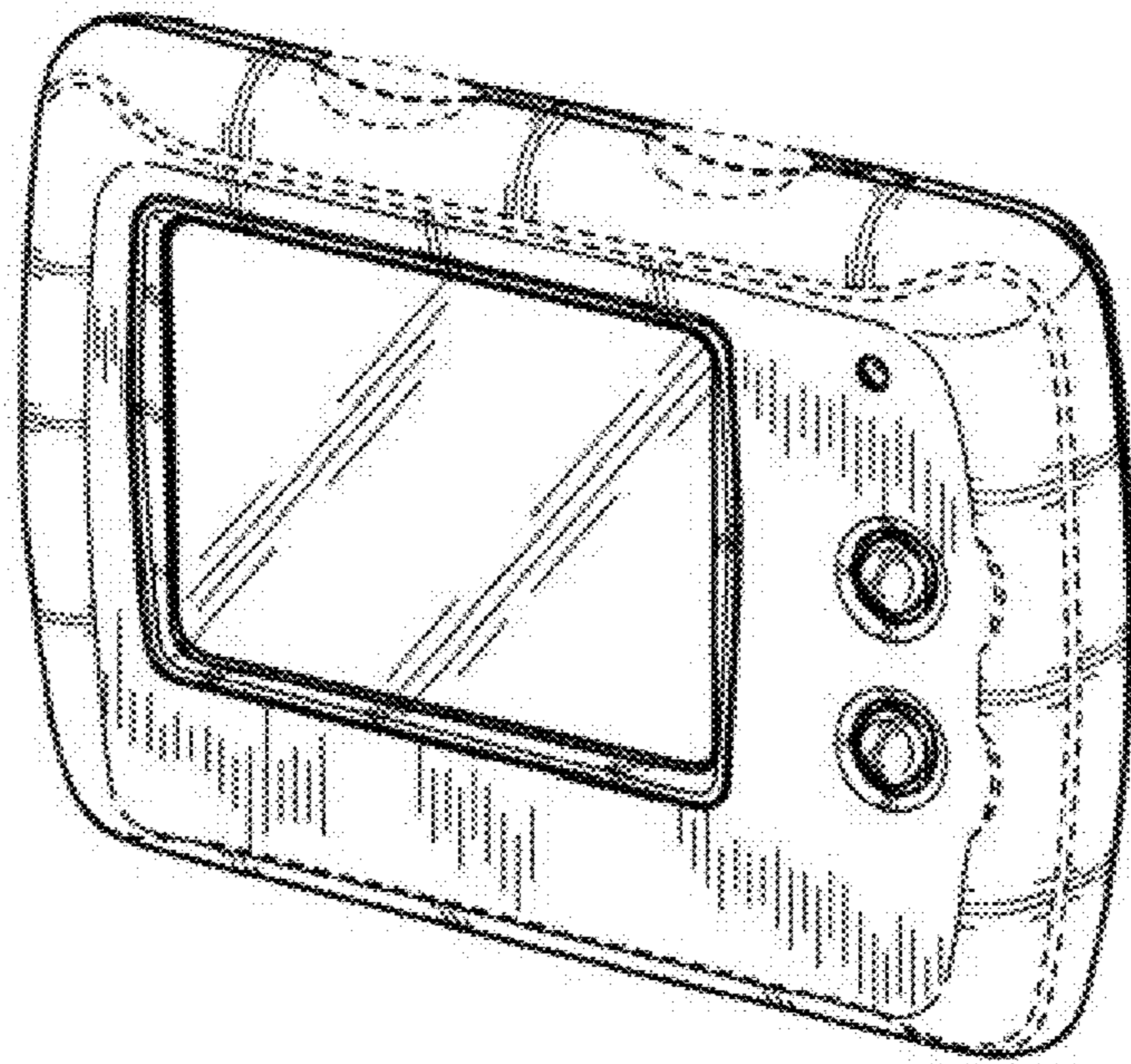


FIG. 1

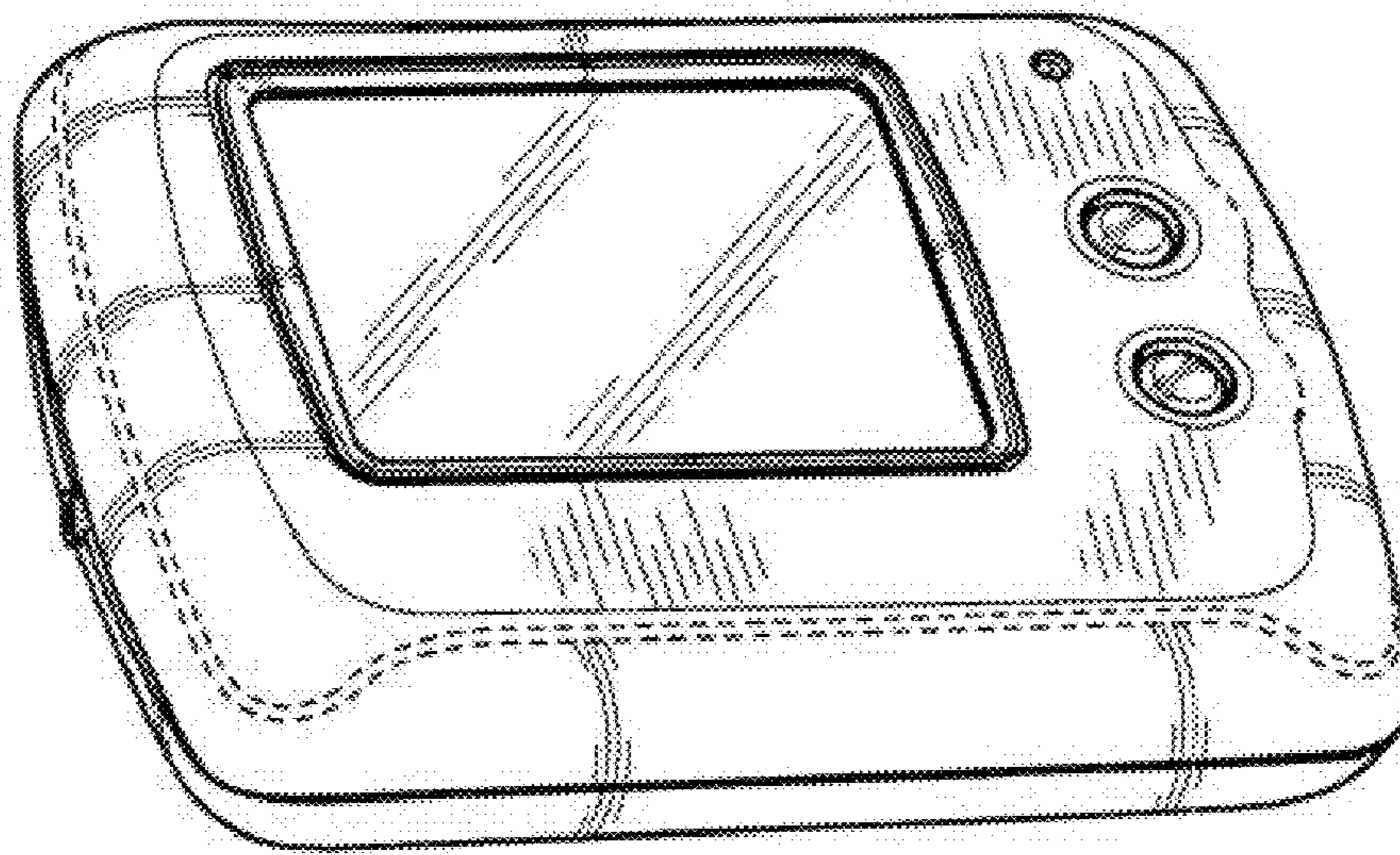


FIG. 2

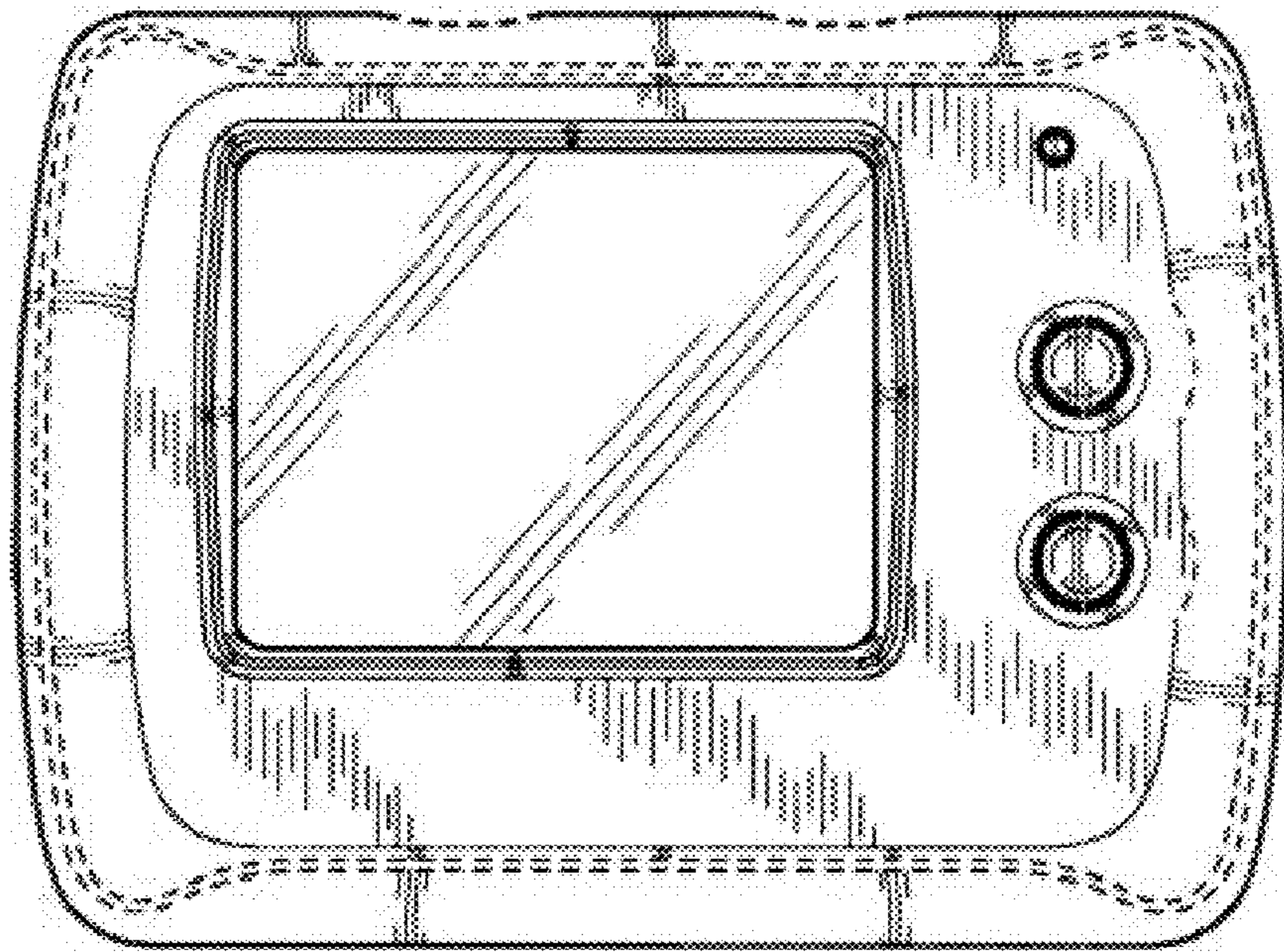


FIG. 3

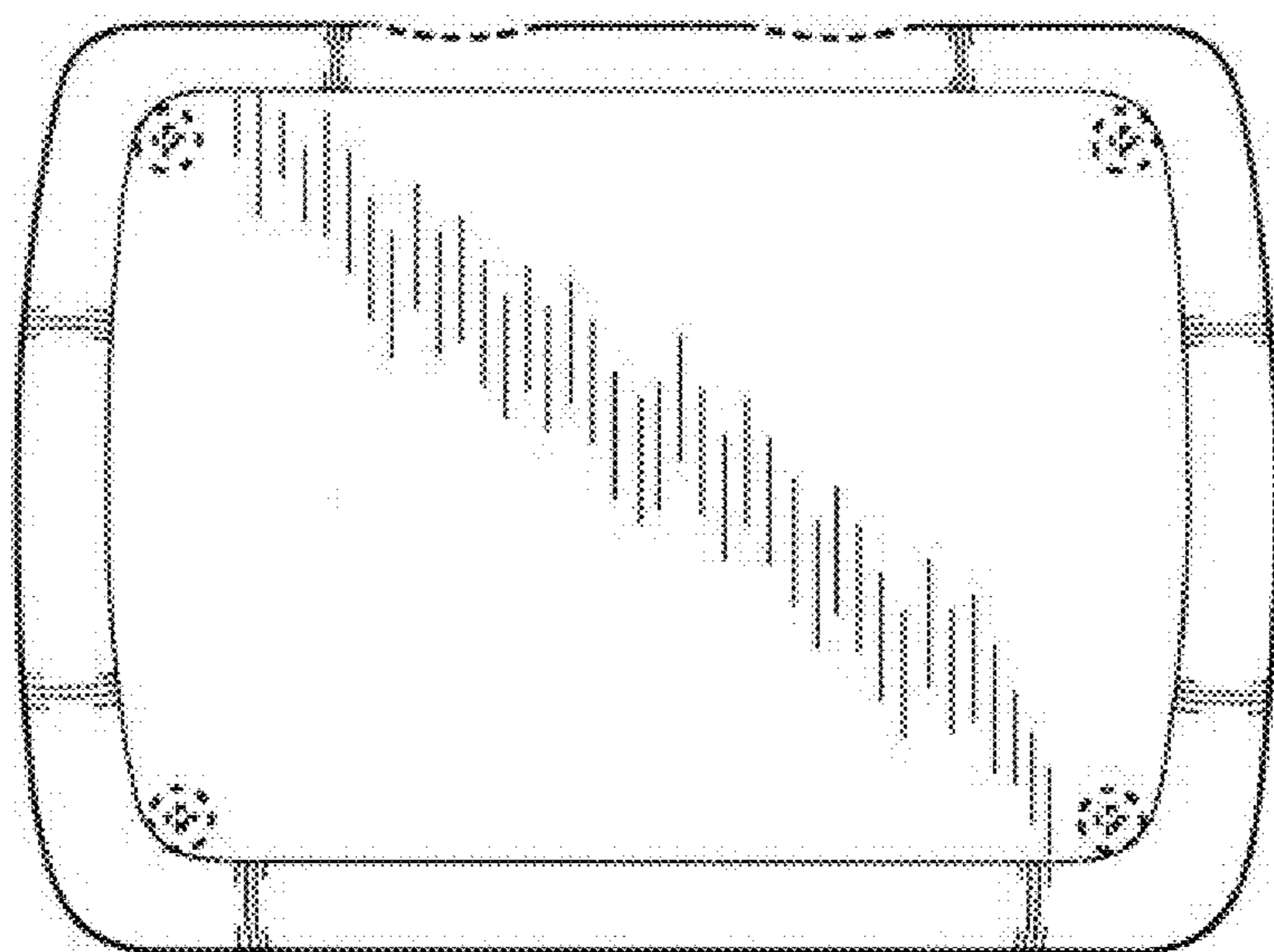


FIG. 4

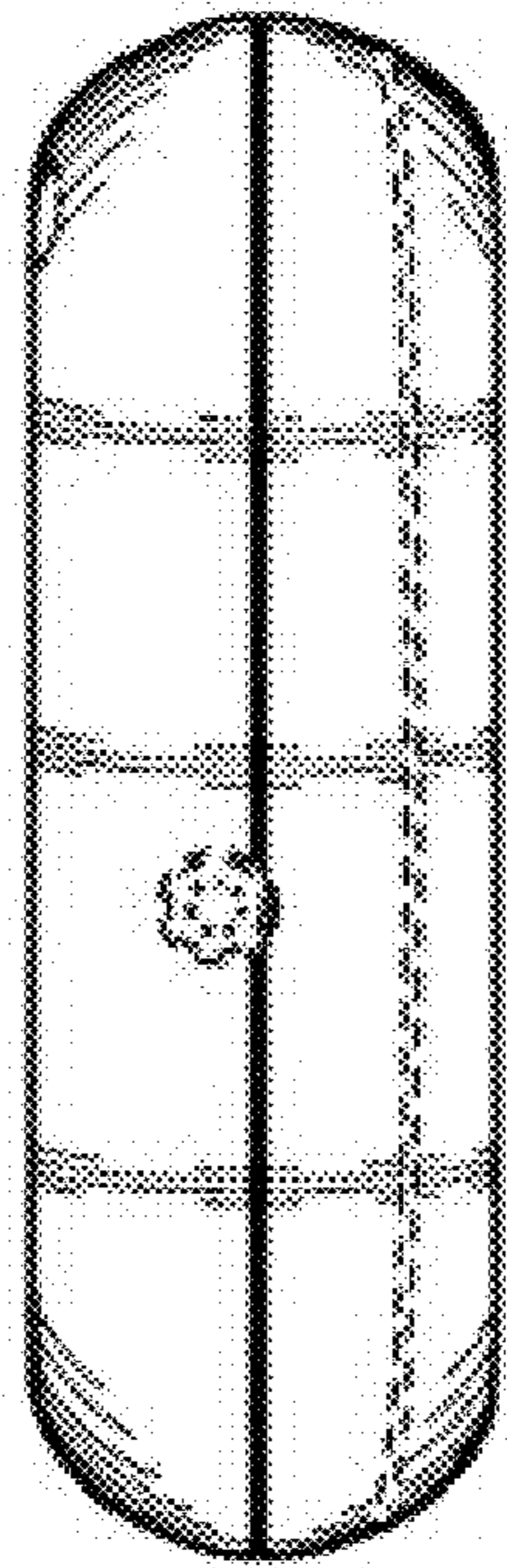


FIG. 5

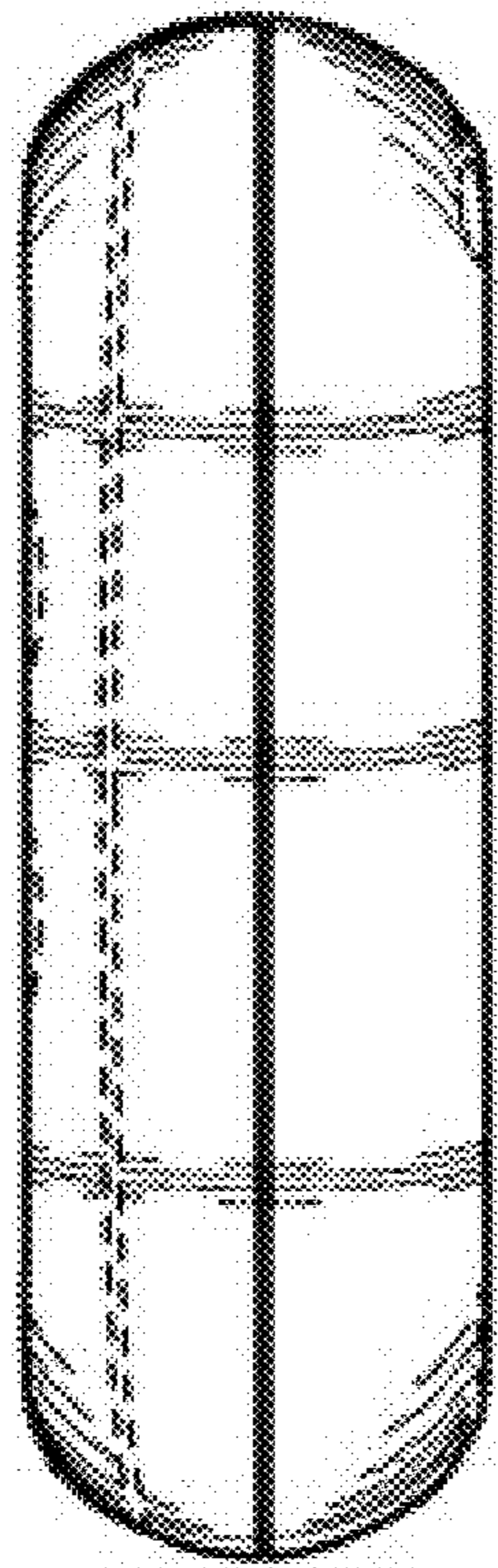


FIG. 6

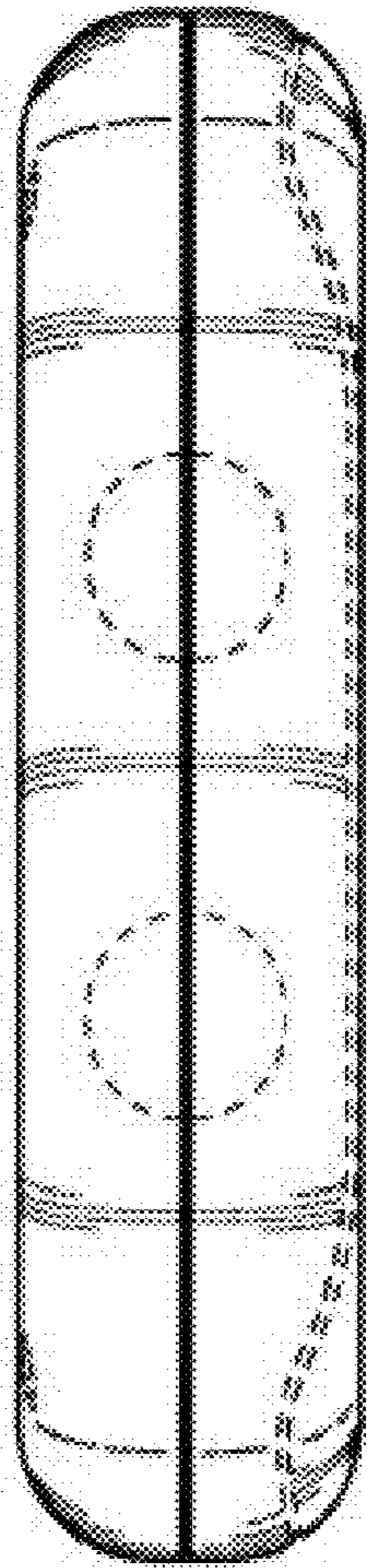


FIG. 7

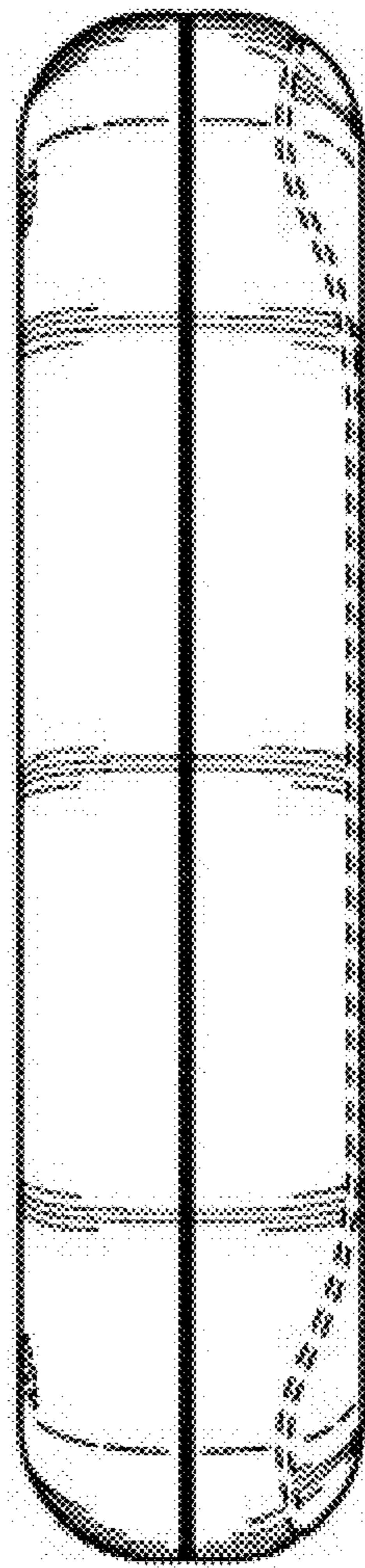


FIG. 8