

US00D545776S

(12) **United States Design Patent**
Kwon

(10) **Patent No.:** **US D545,776 S**
(45) **Date of Patent:** **** Jul. 3, 2007**

(54) **TV RECEIVER**

(75) Inventor: **Hyang Hwa Kwon**, Seoul (KR)

(73) Assignee: **Samsung-Electronics Co., Ltd.** (KR)

(**) Term: **14 Years**

(21) Appl. No.: **29/230,069**

(22) Filed: **May 16, 2005**

(30) **Foreign Application Priority Data**

Apr. 6, 2005 (KR) 30-2005-0011278

(51) **LOC (8) Cl.** **14-03**

(52) **U.S. Cl.** **D14/126**

(58) **Field of Classification Search** D14/125-134,
D14/239, 371, 136, 374-377; 312/7.2; 348/836,
348/838, 180, 184, 325, 739; 341/12; 248/917-924,
248/465; 345/104, 133, 156, 168, 87, 173;
720/605, 669, 600, 655; 369/99, 197; 455/344-347
See application file for complete search history.

(56) **References Cited**

U.S. PATENT DOCUMENTS

4,329,800	A *	5/1982	Shuman	40/606.14
D346,286	S *	4/1994	Caponigro et al.	D6/419
D346,830	S *	5/1994	Masujima et al.	D20/41
D373,584	S *	9/1996	Anand	D14/126
D393,853	S *	4/1998	Maas	D14/126
D455,131	S *	4/2002	Reynaga et al.	D14/126
D462,983	S *	9/2002	Lum	D18/12.3

6,672,556	B1 *	1/2004	Hsia	248/447
D488,812	S *	4/2004	Chiu	D14/375
D524,268	S *	7/2006	Reza	D14/126
D532,396	S *	11/2006	Rashid	D14/126
2003/0058372	A1 *	3/2003	Williams et al.	348/836
2006/0022108	A1 *	2/2006	Kuga	248/422

* cited by examiner

Primary Examiner—Raphael Barkai

(74) *Attorney, Agent, or Firm*—Irving Keschner

(57) **CLAIM**

The ornamental design for TV receiver, as shown.

DESCRIPTION

FIG. 1 is a perspective view of the ornamental design of the present invention;

FIG. 2 is a front elevational view of the ornamental design of the present invention;

FIG. 3 is a rear elevational view of the ornamental design of the present invention;

FIG. 4 is a left side elevational view of the ornamental design of the present invention, the right side elevational view being a mirror image thereof;

FIG. 5 is a top plan view of the ornamental design of the present invention; and,

FIG. 6 is a bottom view of the ornamental design of the present invention.

1 Claim, 5 Drawing Sheets

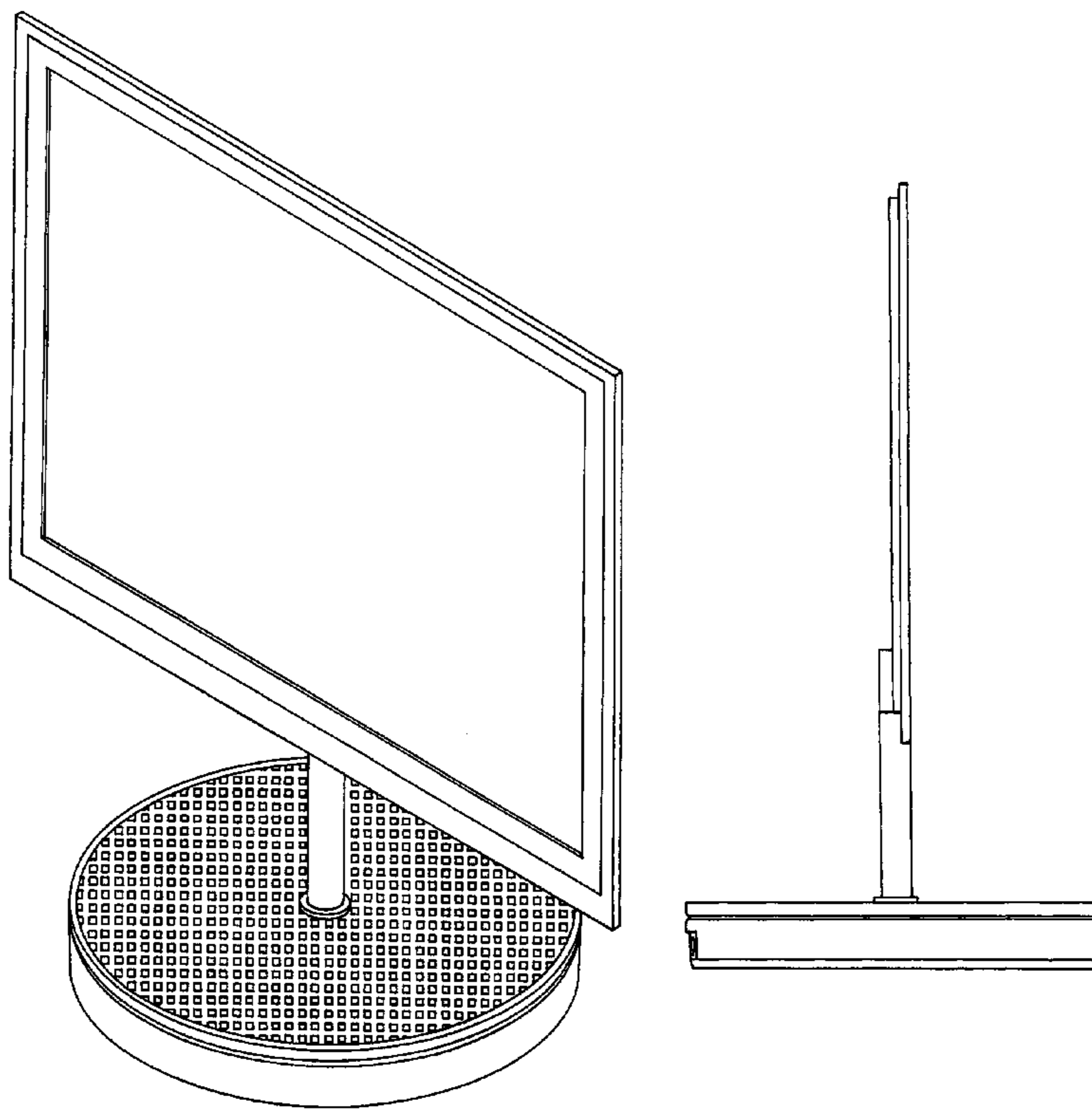


FIG. 1

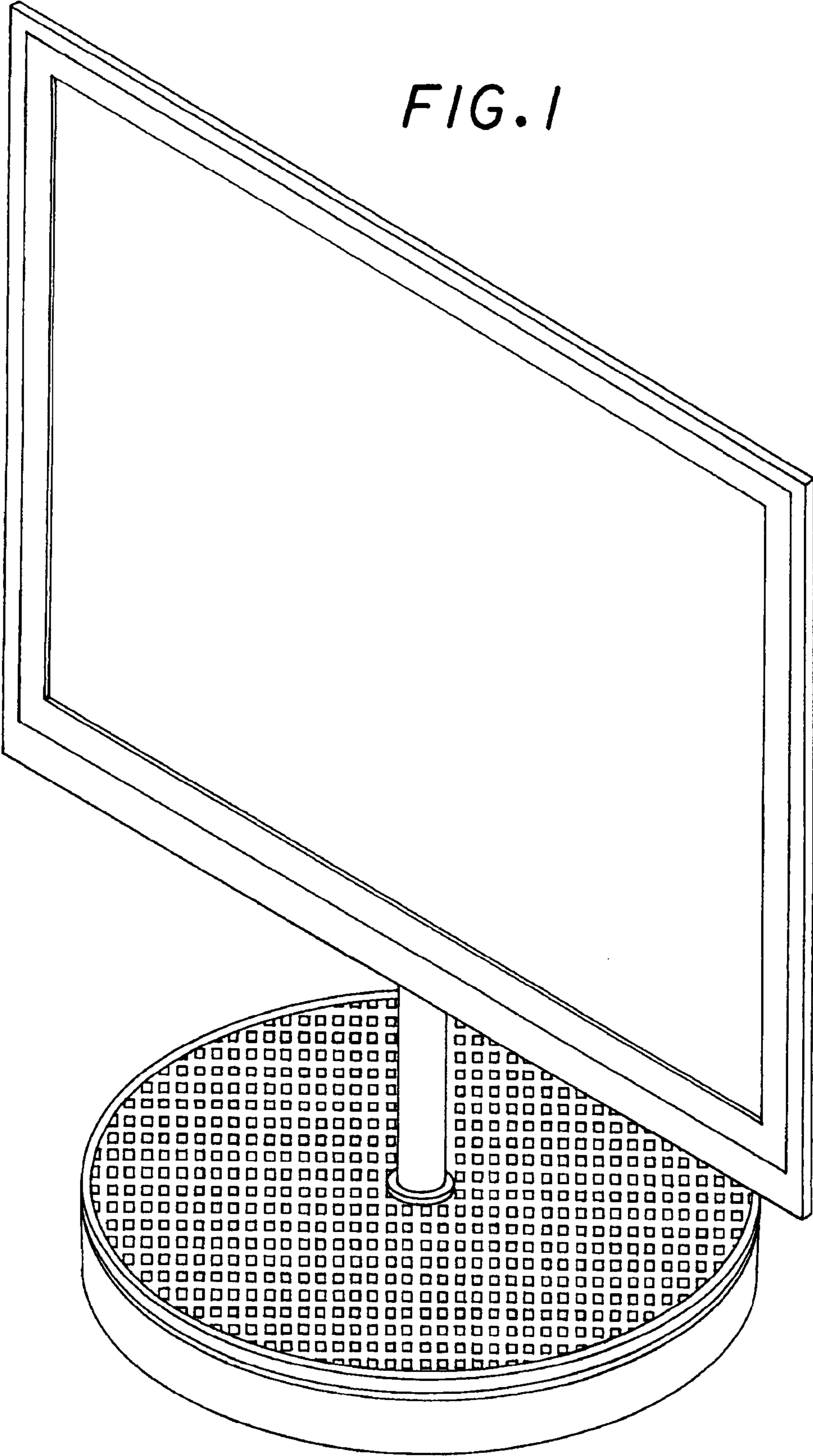


FIG. 2

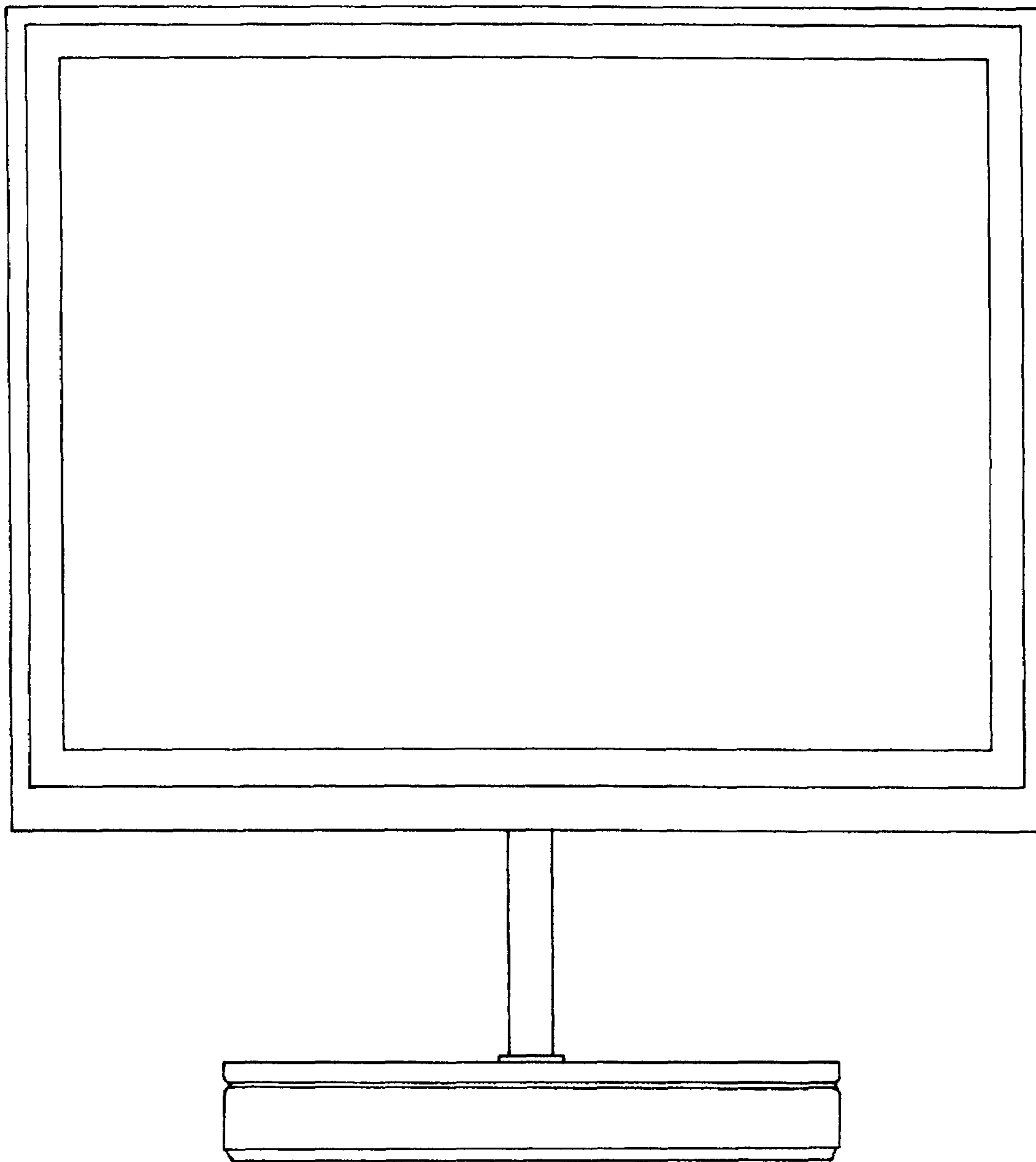


FIG. 3

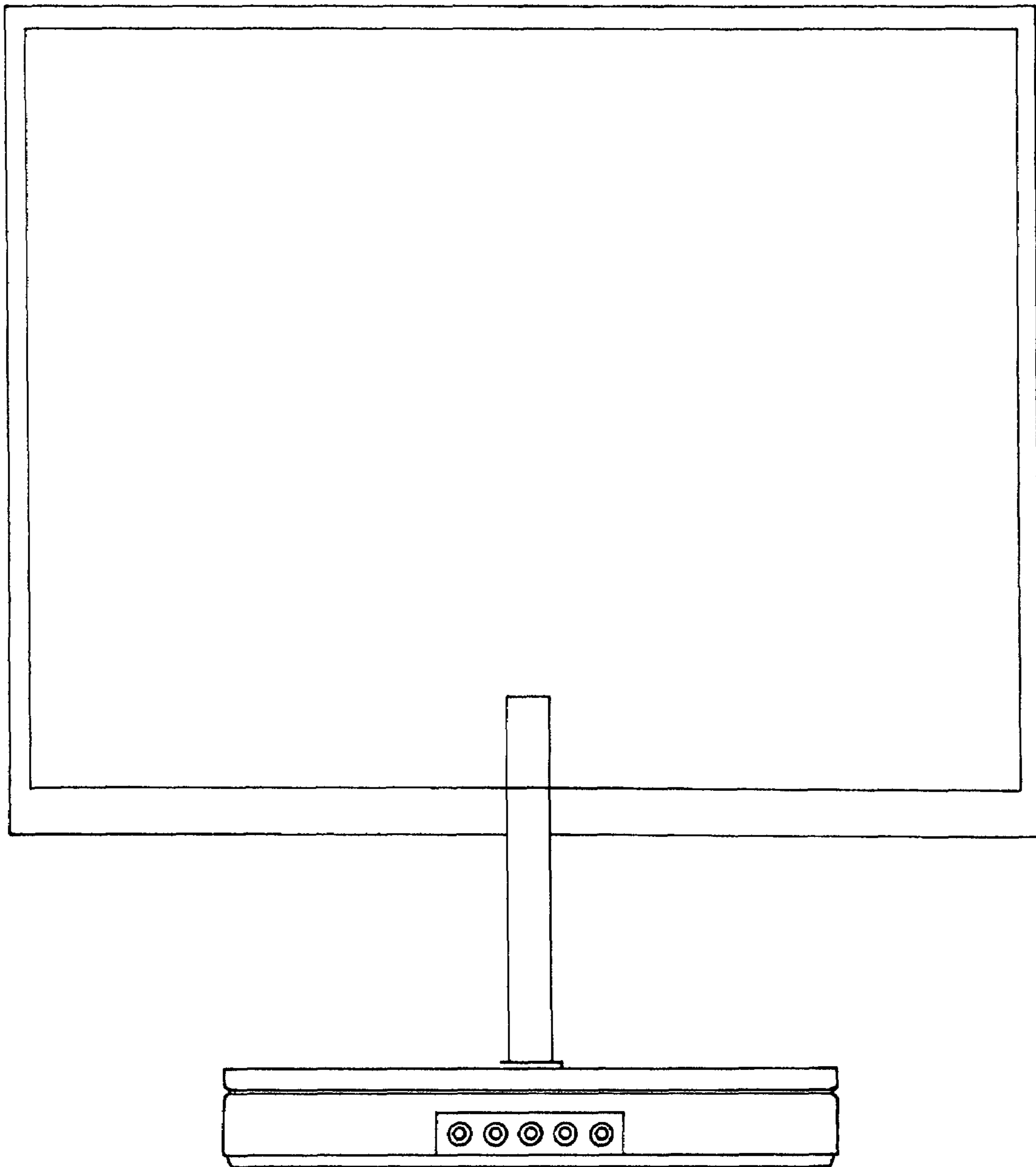


FIG. 4

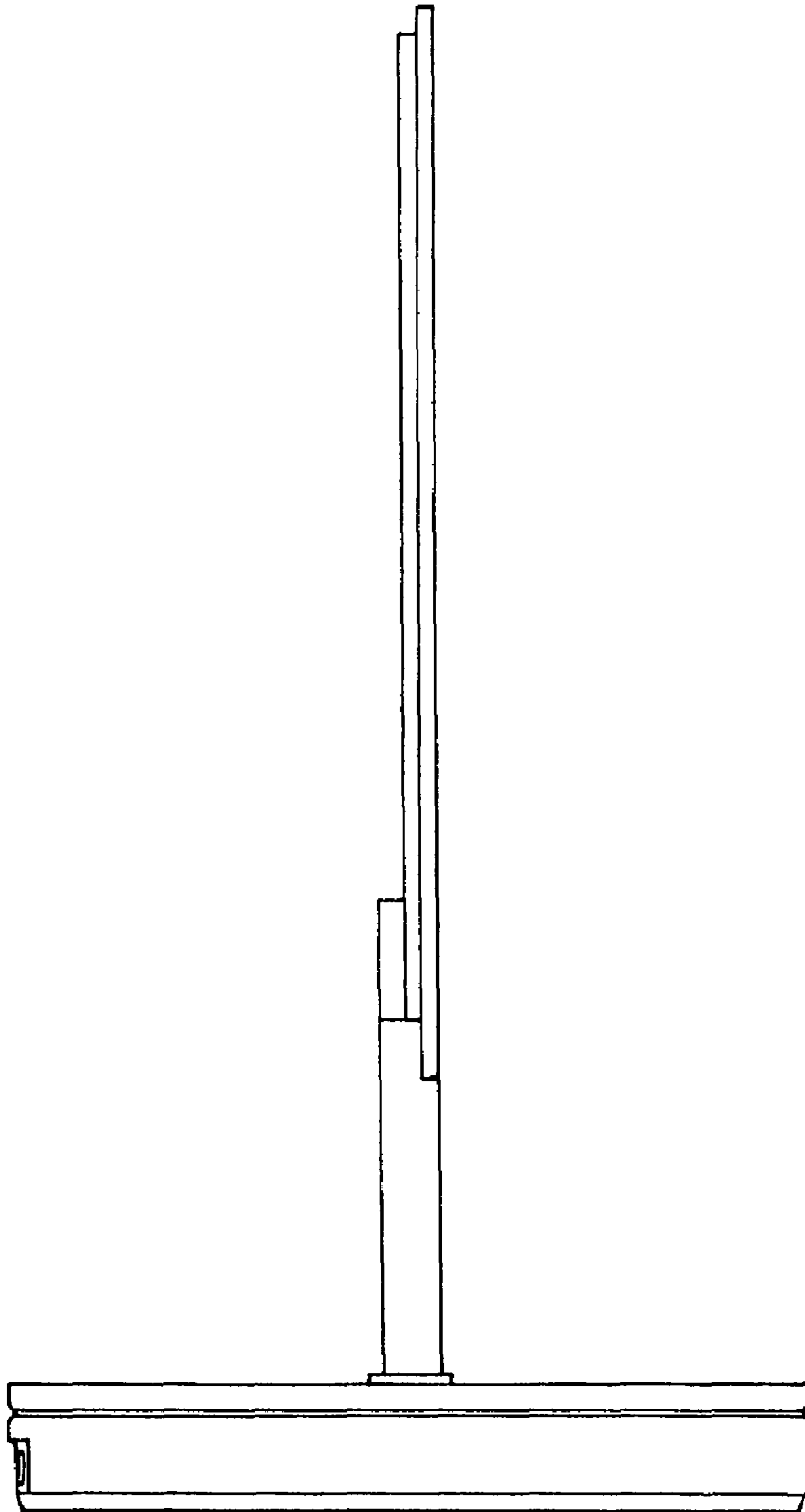


FIG. 5

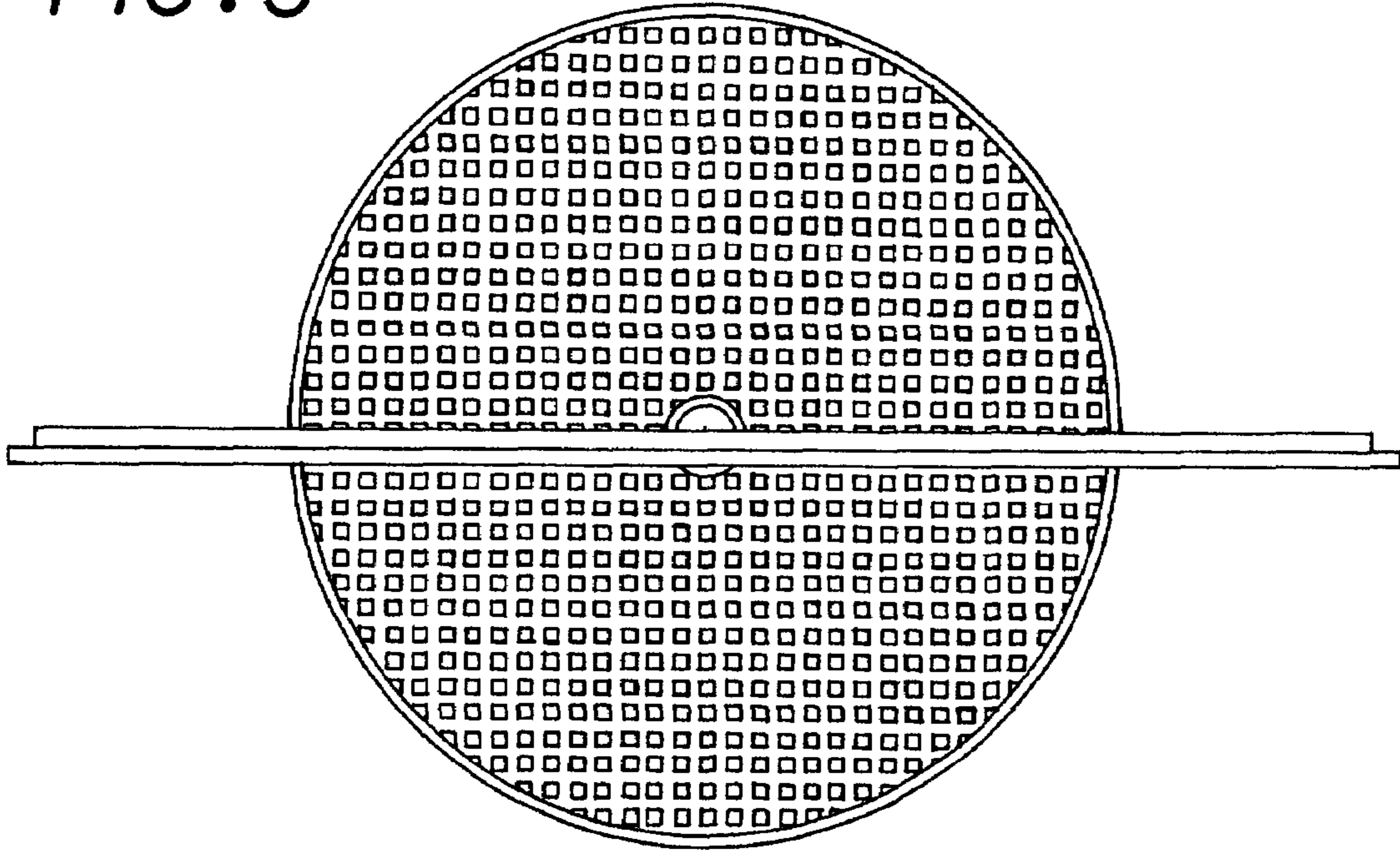


FIG. 6

