

US00D545775S

(12) **United States Design Patent**  
**Kita**

(10) **Patent No.:** **US D545,775 S**

(45) **Date of Patent:** **\*\* Jul. 3, 2007**

(54) **TELEVISION SET**

(75) Inventor: **Toshiyuki Kita**, Osaka (JP)

(73) Assignee: **Sharp Kabushiki Kaisha**, Osaka (JP)

(\*\*) Term: **14 Years**

(21) Appl. No.: **29/168,290**

(22) Filed: **Jun. 17, 2004**

(51) **LOC (8) Cl.** ..... **14-03**

(52) **U.S. Cl.** ..... **D14/126**

(58) **Field of Classification Search** ..... D14/125-134,  
D14/239, 371, 136, 374-377; 312/7.2; 348/836,  
348/838, 180, 184, 325, 739; 341/12; 248/917-924,  
248/465; 345/104, 133, 156, 168, 87, 173;  
720/605, 669, 600, 655; 369/99, 197; 455/344-347  
See application file for complete search history.

D453,748 S	2/2002	Kita	
D454,845 S	*	3/2002	Niitsu ..... D14/126
D456,370 S		4/2002	Kita
D458,910 S		6/2002	Kita
D492,269 S		6/2004	Kita
D496,915 S		10/2004	Kita
D497,351 S		10/2004	Kita
D497,599 S		10/2004	Kita
D499,076 S		11/2004	Kita
D501,186 S		1/2005	Kita
D501,654 S		2/2005	Kita
D502,451 S		3/2005	Kita
D502,931 S		3/2005	Kita
D505,123 S		5/2005	Wang
D510,731 S		10/2005	Wang
D512,385 S		12/2005	Kita
D512,386 S		12/2005	Kita
D512,387 S		12/2005	Kita

\* cited by examiner

*Primary Examiner*—Raphael Barkai

(74) *Attorney, Agent, or Firm*—Nixon & Vanderhye, PC

(56) **References Cited**

**U.S. PATENT DOCUMENTS**

D337,113 S	7/1993	Saito	
D342,497 S	12/1993	Saito et al.	
D342,501 S	12/1993	Saeki et al.	
D351,155 S	10/1994	Usami et al.	
D351,156 S	10/1994	Usami et al.	
D357,244 S	4/1995	Usami et al.	
D357,245 S	4/1995	Usami et al.	
D357,472 S	4/1995	Usami et al.	
D369,596 S	5/1996	Akiyama et al.	
D372,026 S	7/1996	Akiyama et al.	
D373,583 S	9/1996	Akiyama et al.	
D427,169 S	6/2000	Saeki et al.	
D429,227 S	8/2000	Shimizu	
D431,537 S	10/2000	Saeki et al.	
D432,101 S	*	10/2000	Oba ..... D14/126
D438,848 S		3/2001	Kita
D439,224 S		3/2001	Kita
D439,225 S		3/2001	Kita
D453,747 S		2/2002	Kita

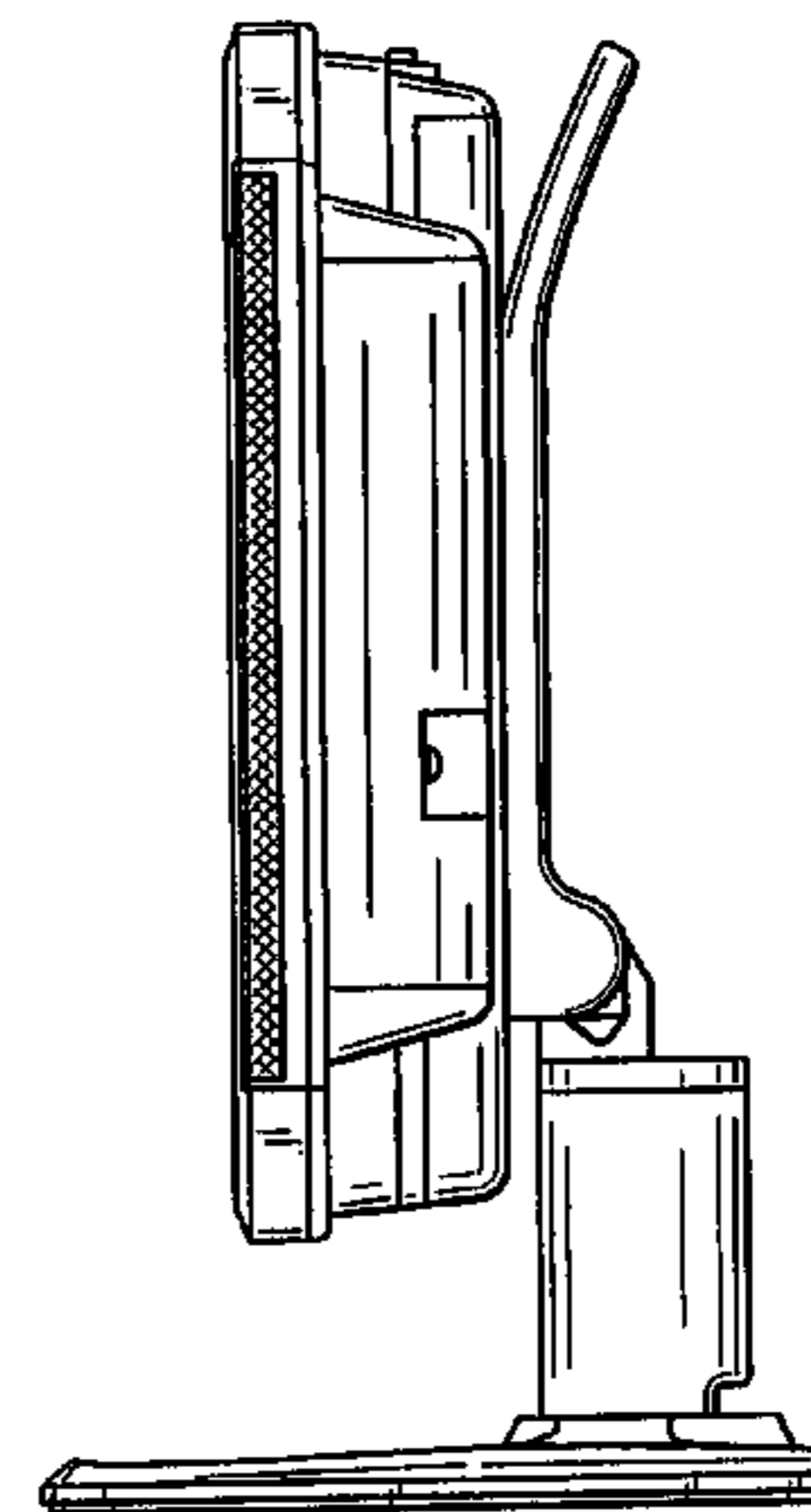
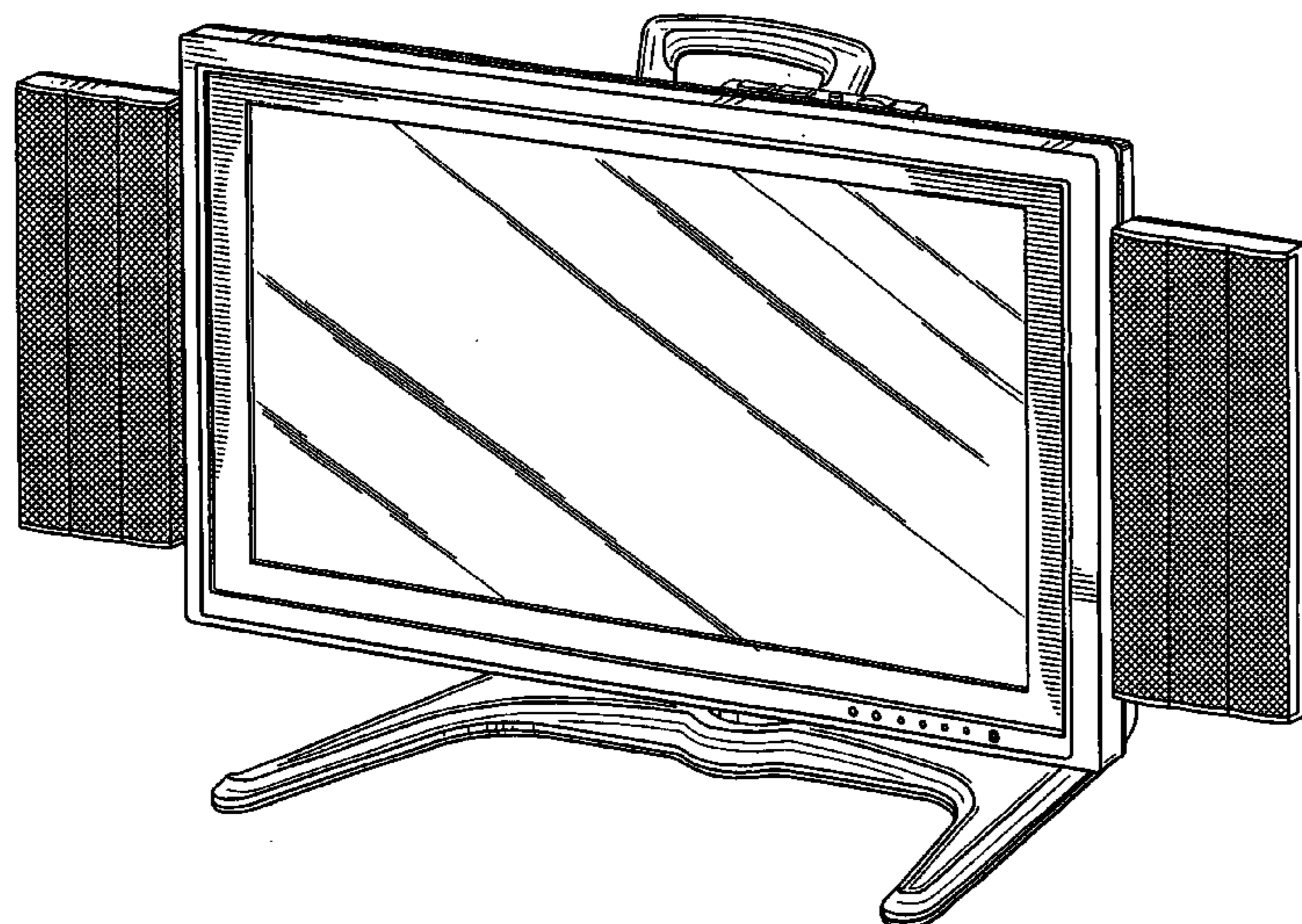
(57) **CLAIM**

The ornamental design for a “television set,” as shown and described.

**DESCRIPTION**

FIG. 1 is a top, front and right side perspective view of a television set according to my design;  
FIG. 2 is a front elevational view thereof;  
FIG. 3 is a rear elevational view thereof;  
FIG. 4 is a top plan view thereof;  
FIG. 5 is a bottom plan view thereof; and  
FIG. 6 is right side elevational view thereof; and,  
FIG. 7 is a left side elevational view thereof.

**1 Claim, 6 Drawing Sheets**



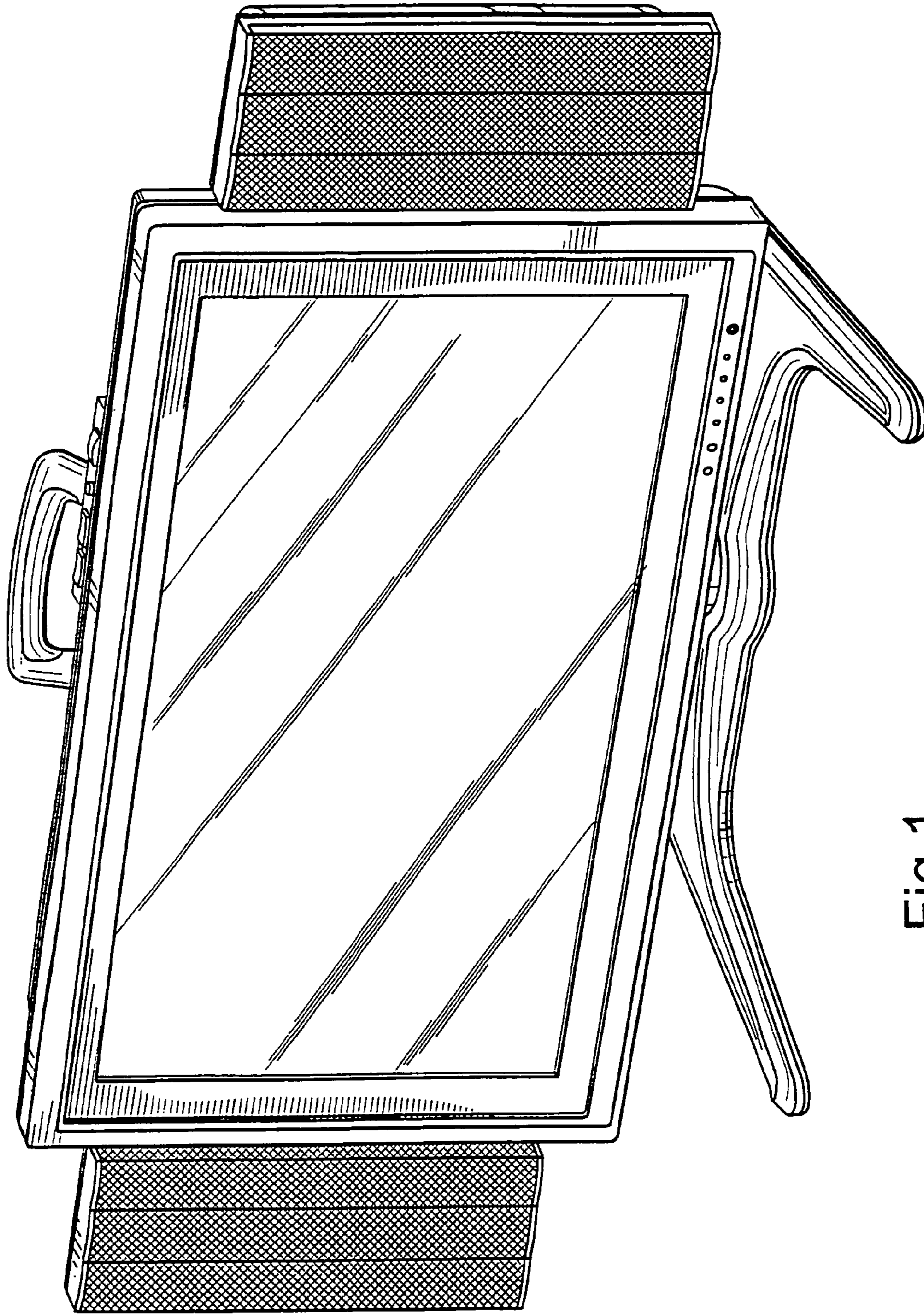


Fig.1

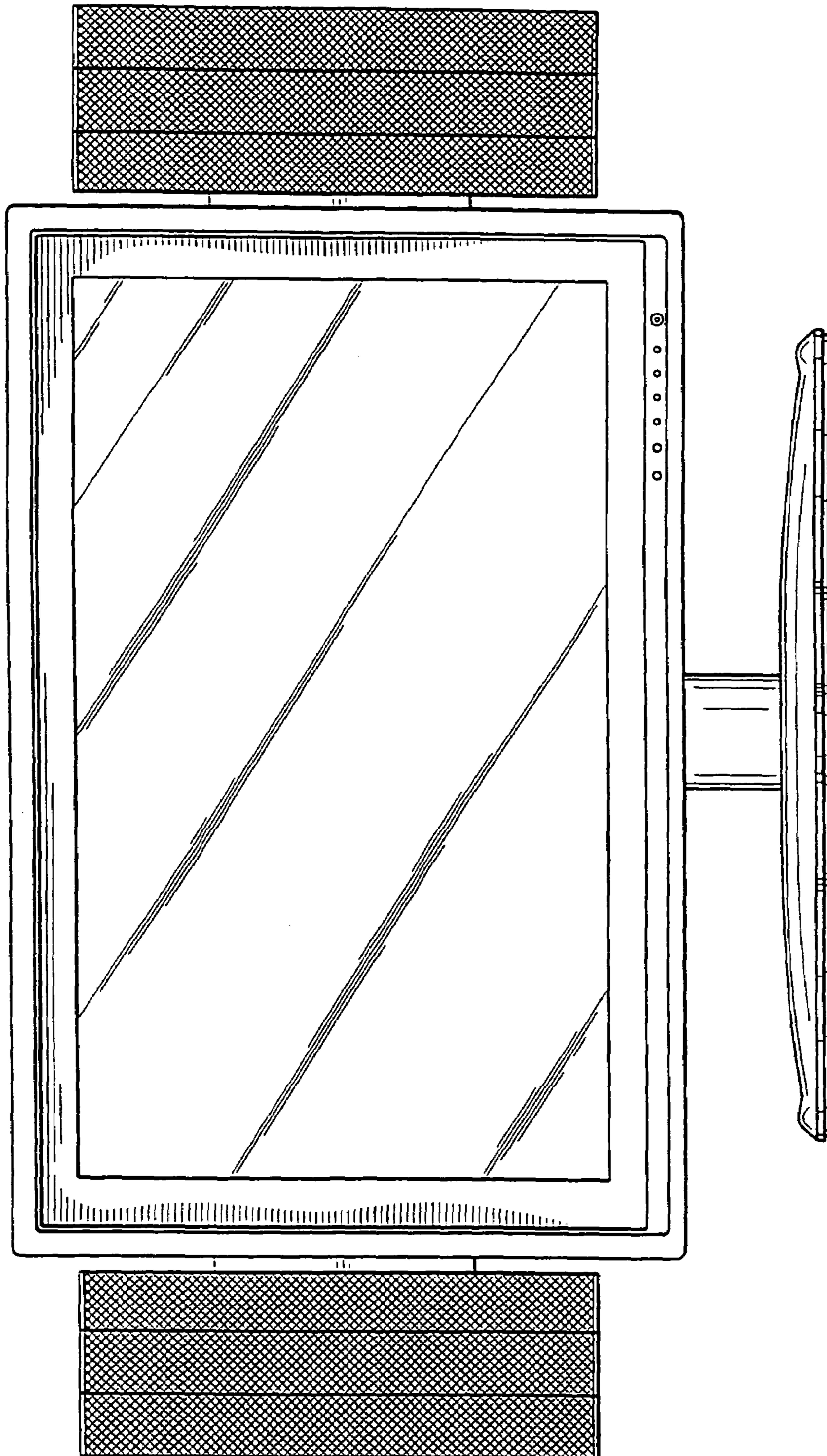


Fig.2

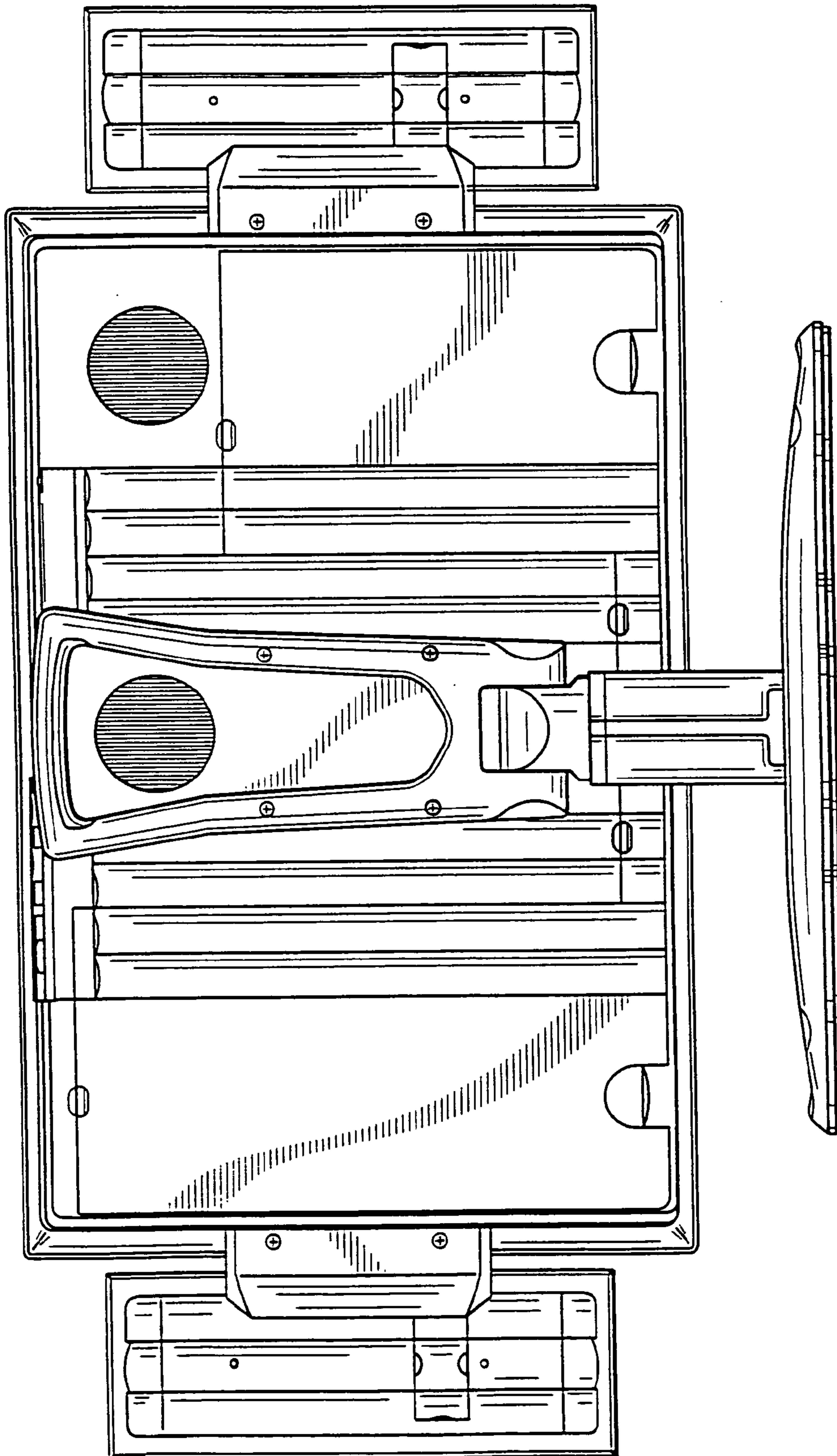


Fig.3

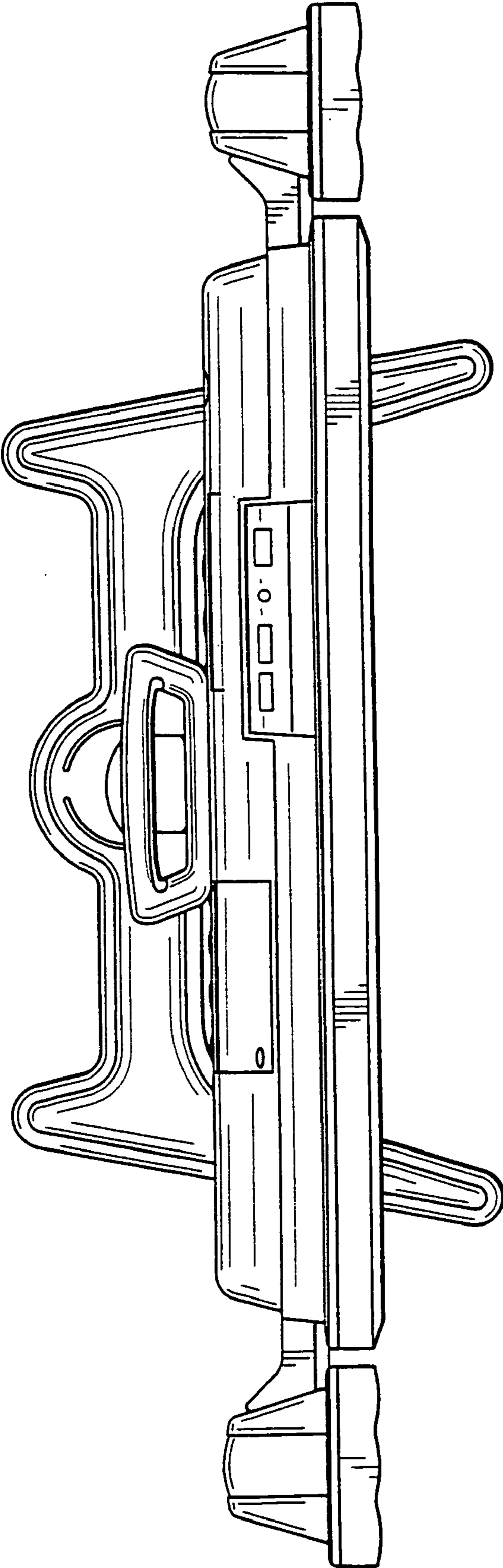


Fig.4

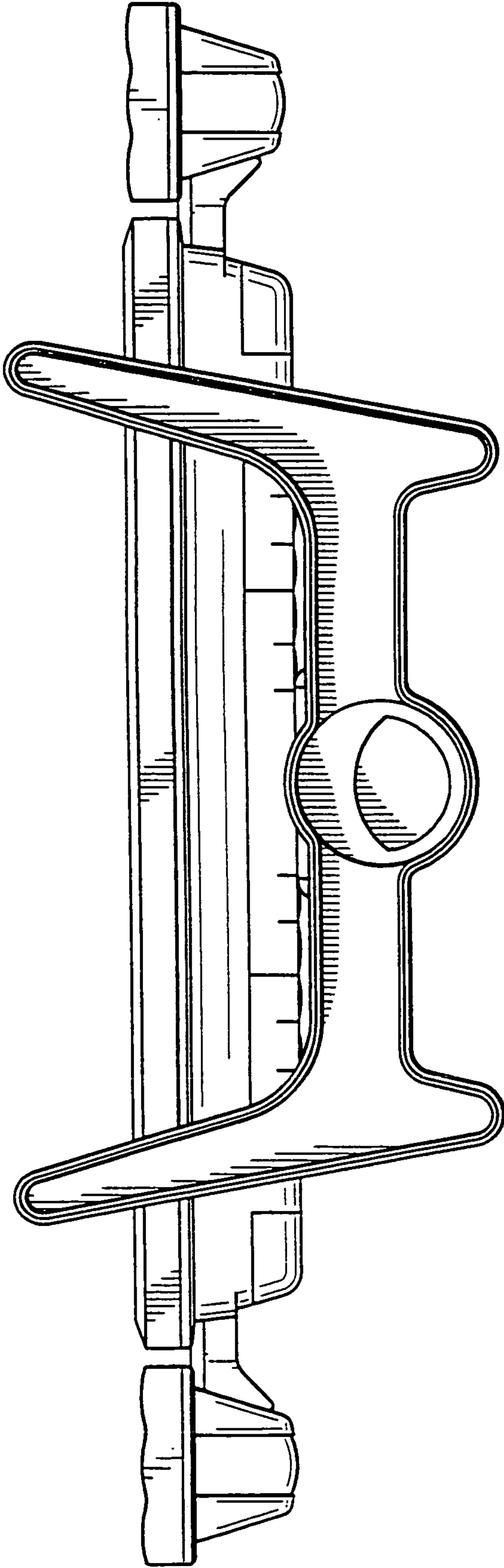


Fig.5

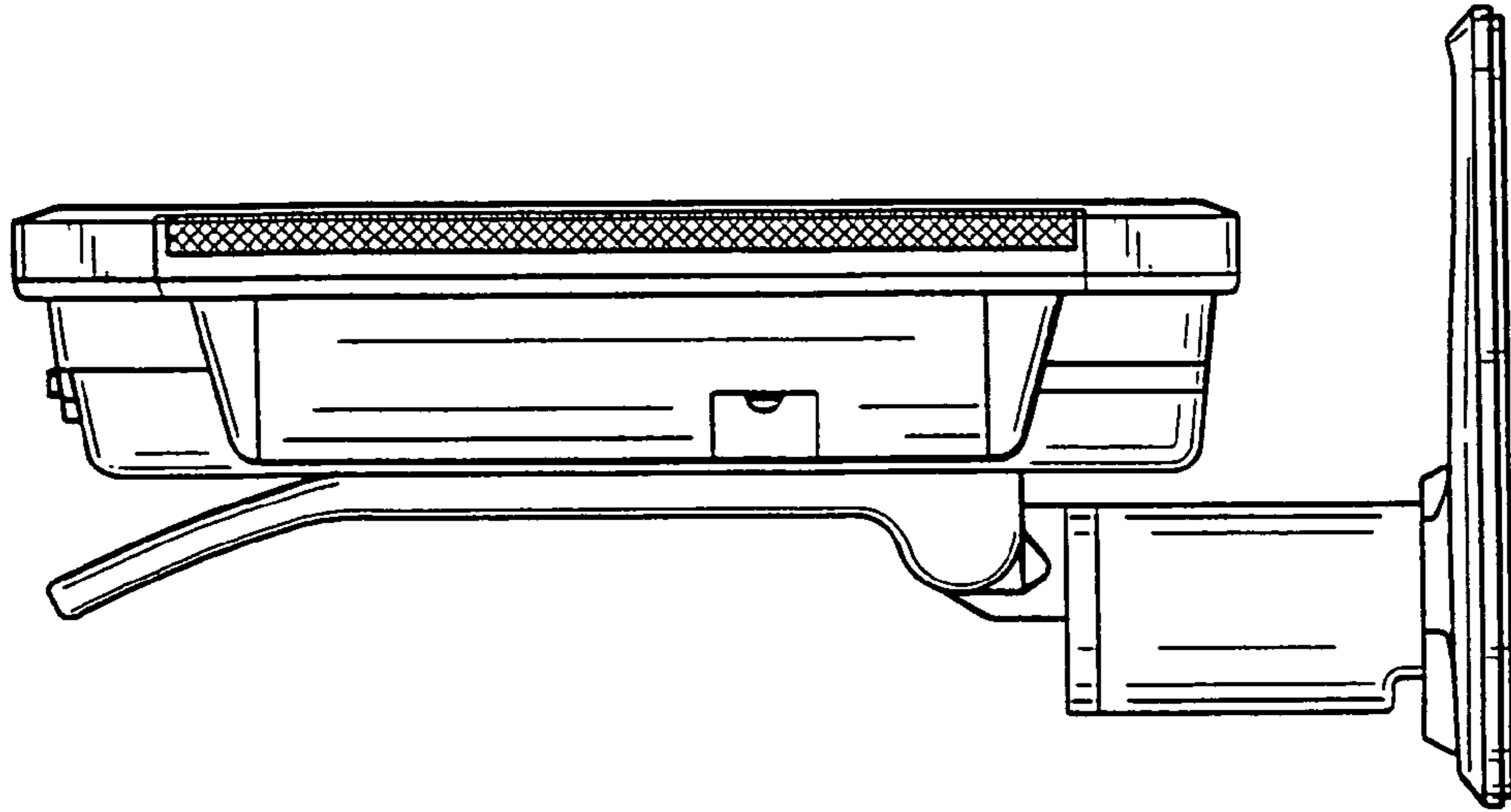


Fig. 7

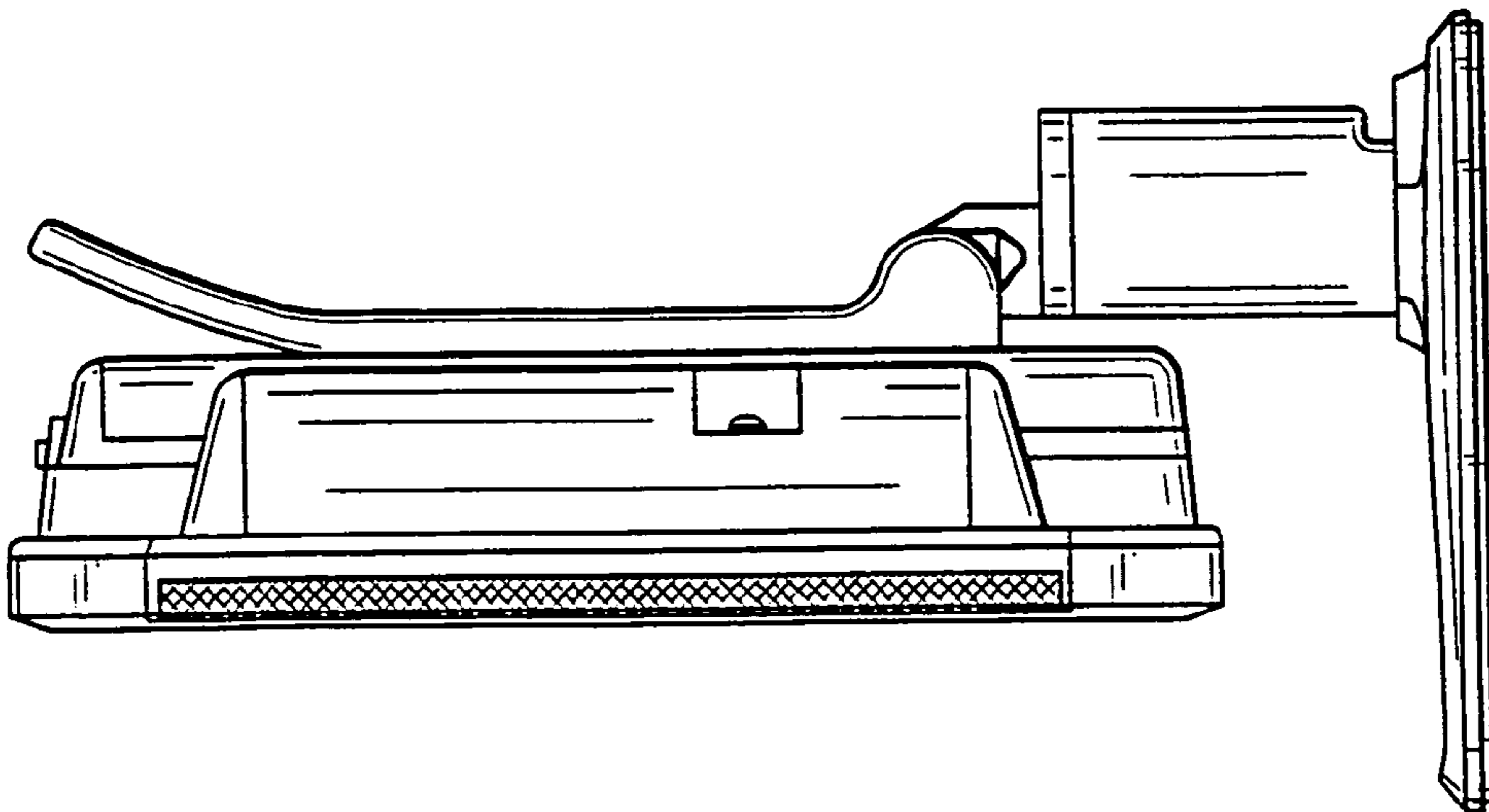


Fig. 6