

US00D545774S

(12) **United States Design Patent**
Woo et al.

(10) **Patent No.:** **US D545,774 S**

(45) **Date of Patent:** **** Jul. 3, 2007**

(54) **SET TOP BOX**

(75) Inventors: **Sang-Sung Woo**, Seoul (KR);
Tai-Hyung Ju, Seoul (KR); **Bum-Ho Chun**, Seoul (KR)

(73) Assignee: **Samsung Electronics Co., Ltd.**,
Kyunggi-do (KR)

(**) Term: **14 Years**

(21) Appl. No.: **29/236,118**

(22) Filed: **Aug. 11, 2005**

(51) **LOC (8) Cl.** **14-03**

(52) **U.S. Cl.** **D14/125**

(58) **Field of Classification Search** D14/125-134,
D14/239, 371, 374-376, 135, 136, 492, 299,
D14/356, 361-363, 365, 496; 312/7.2, 208.1-223.2;
348/836, 838, 180, 184, 325, 739, 10, 460;
341/12; 248/917-924; 345/104, 133, 156,
345/168, 87; 361/690-696

See application file for complete search history.

(56) **References Cited**

U.S. PATENT DOCUMENTS

D340,232 S * 10/1993 Yoshida D14/422
D345,970 S * 4/1994 Kawamoto D14/125
D349,719 S * 8/1994 Ohta D17/9
D351,154 S * 10/1994 Fujino D14/125
D357,287 S * 4/1995 Feng D21/332

D390,217 S * 2/1998 Prstojevich et al. D14/125
D429,706 S * 8/2000 Miyazaki D14/135
D466,875 S * 12/2002 Kita D14/125
D470,465 S * 2/2003 Lee D14/125
D483,729 S * 12/2003 Huang et al. D14/136
D485,813 S * 1/2004 Winkler D14/136
D494,579 S * 8/2004 Chuang et al. D14/314

* cited by examiner

Primary Examiner—Raphael Barkai

Assistant Examiner—Randall H. Gholson

(74) *Attorney, Agent, or Firm*—Flynn, Thiel, Boutell &
Tanis, P.C.

(57) **CLAIM**

The ornamental design for a set top box, as shown and described.

DESCRIPTION

FIG. 1. is a top front perspective view of a set top box showing our new design.

FIG. 2. is a front elevational view thereof.

FIG. 3. is a rear elevational view thereof.

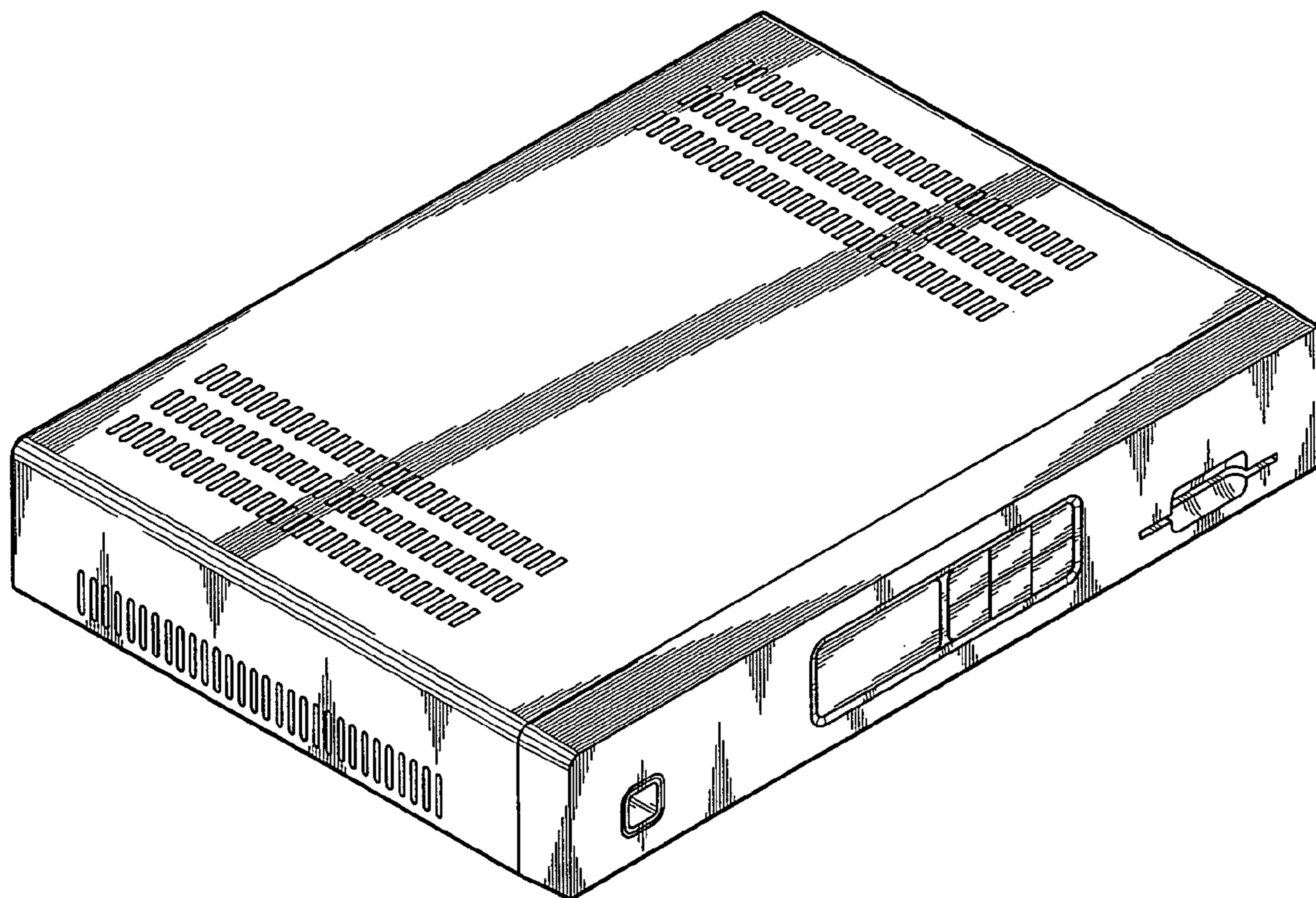
FIG. 4. is a left side elevational view thereof.

FIG. 5. is a right side elevational view thereof.

FIG. 6. is a top plan view thereof; and,

FIG. 7. is a bottom plan view thereof.

1 Claim, 4 Drawing Sheets



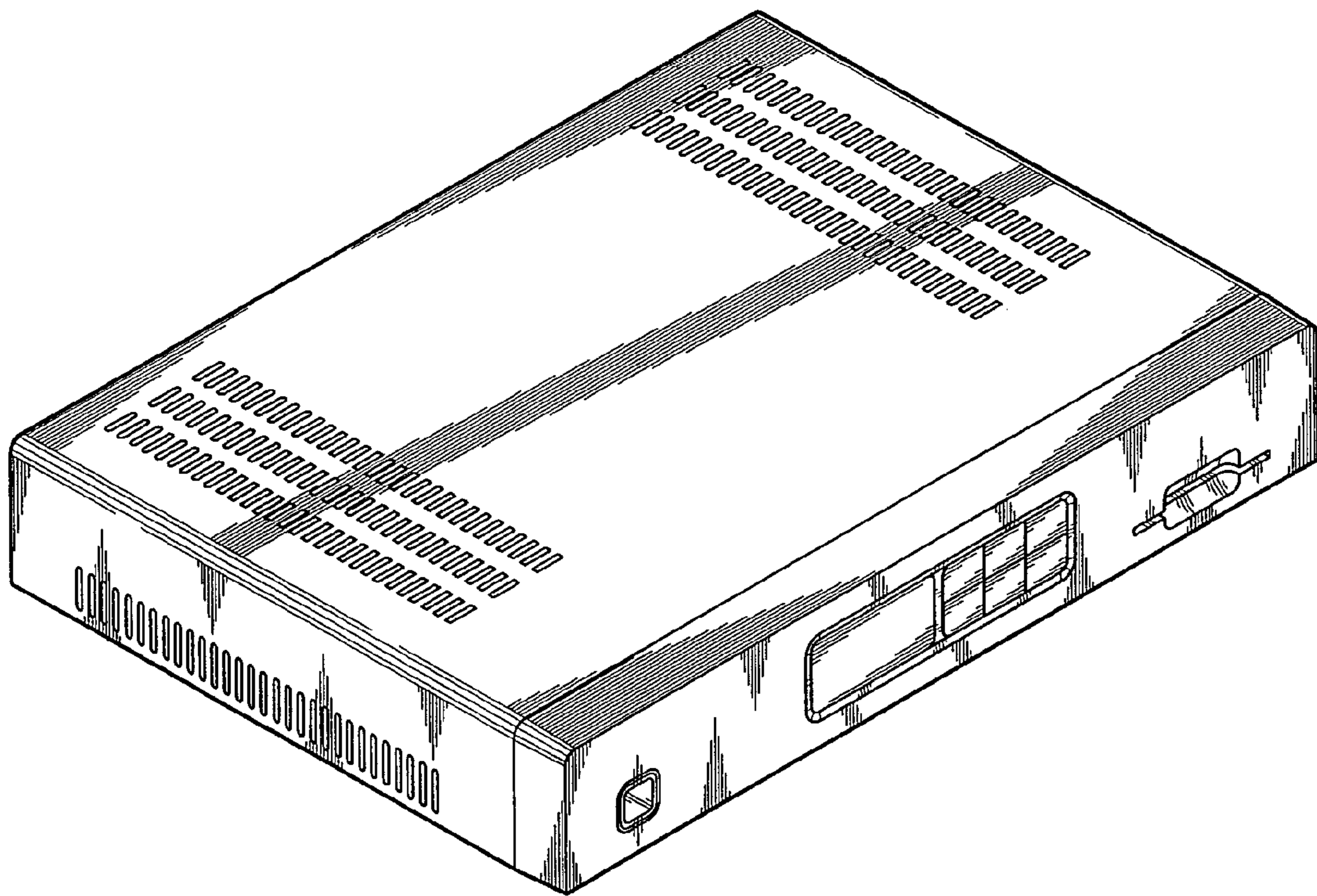


FIG. 1

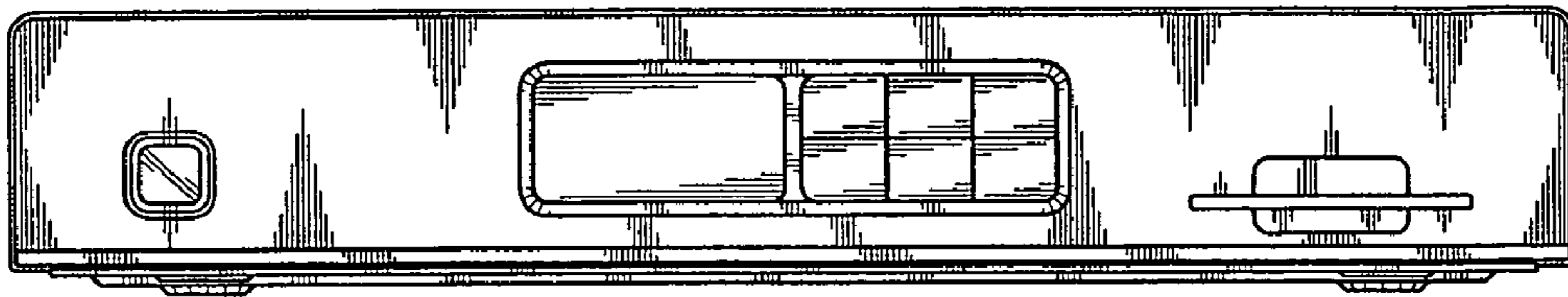


FIG. 2

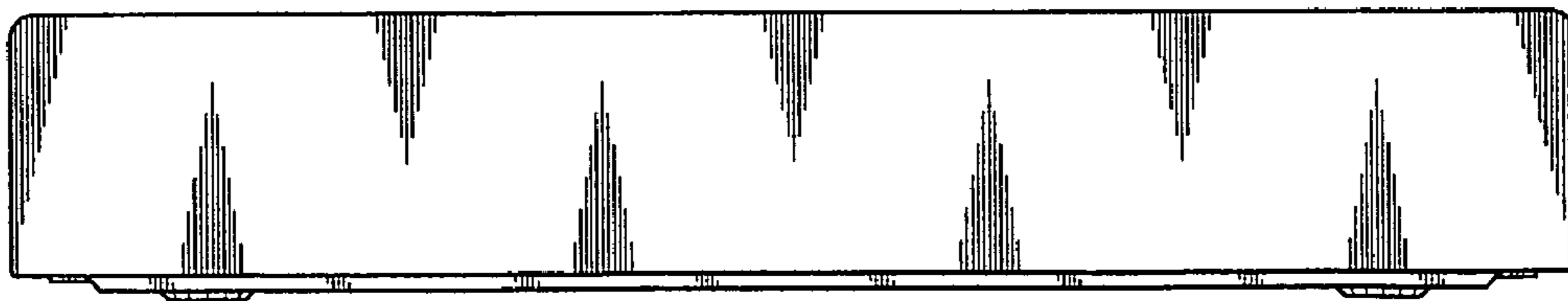


FIG. 3

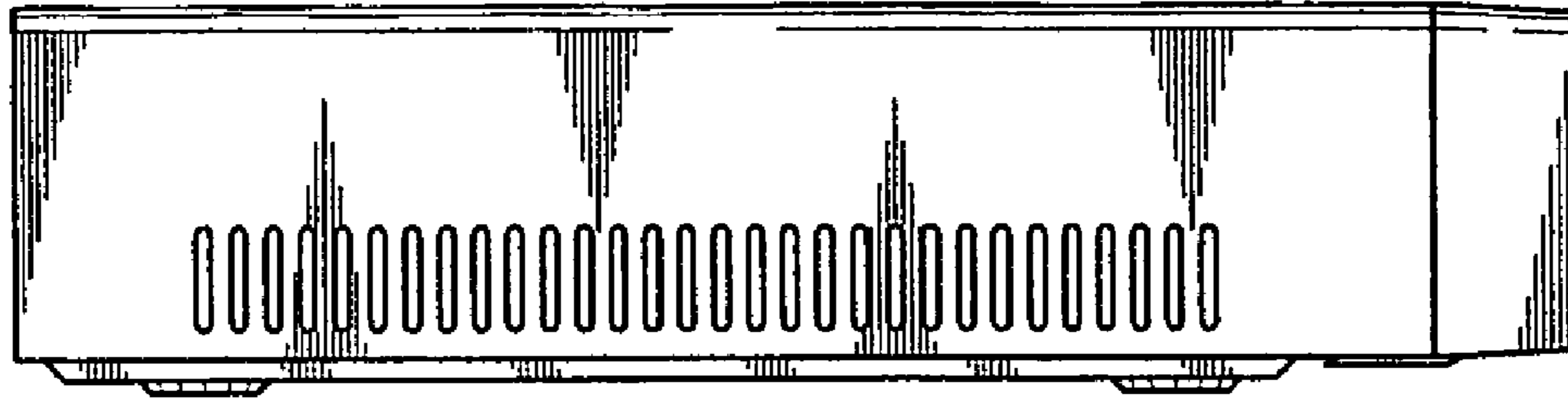


FIG. 4

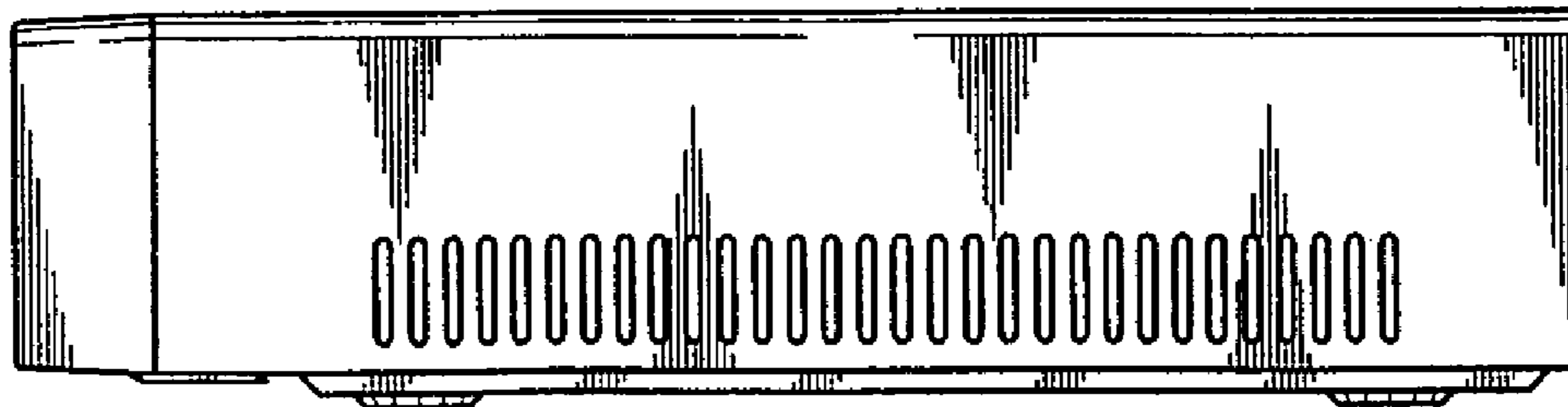


FIG. 5

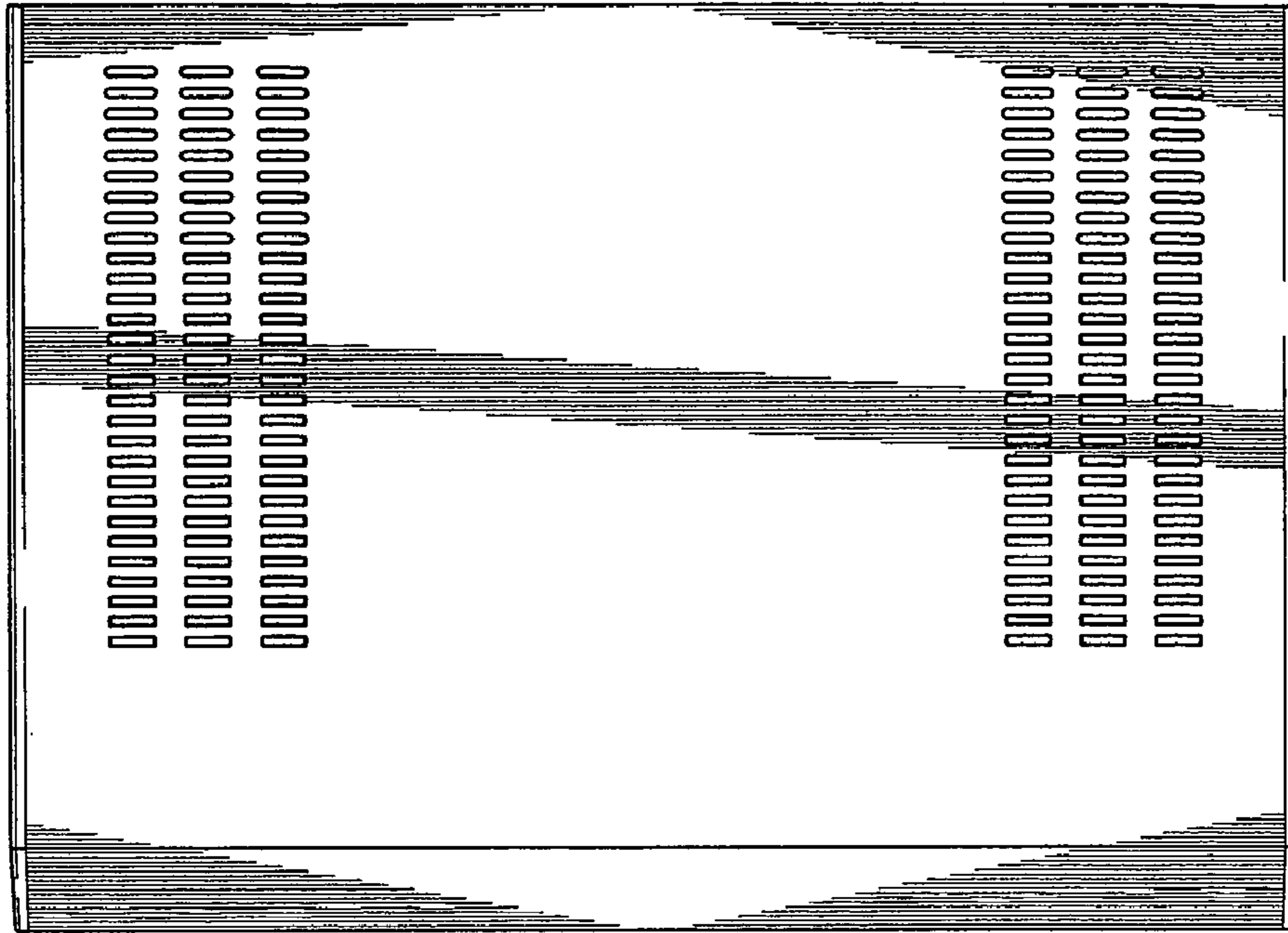


FIG. 6

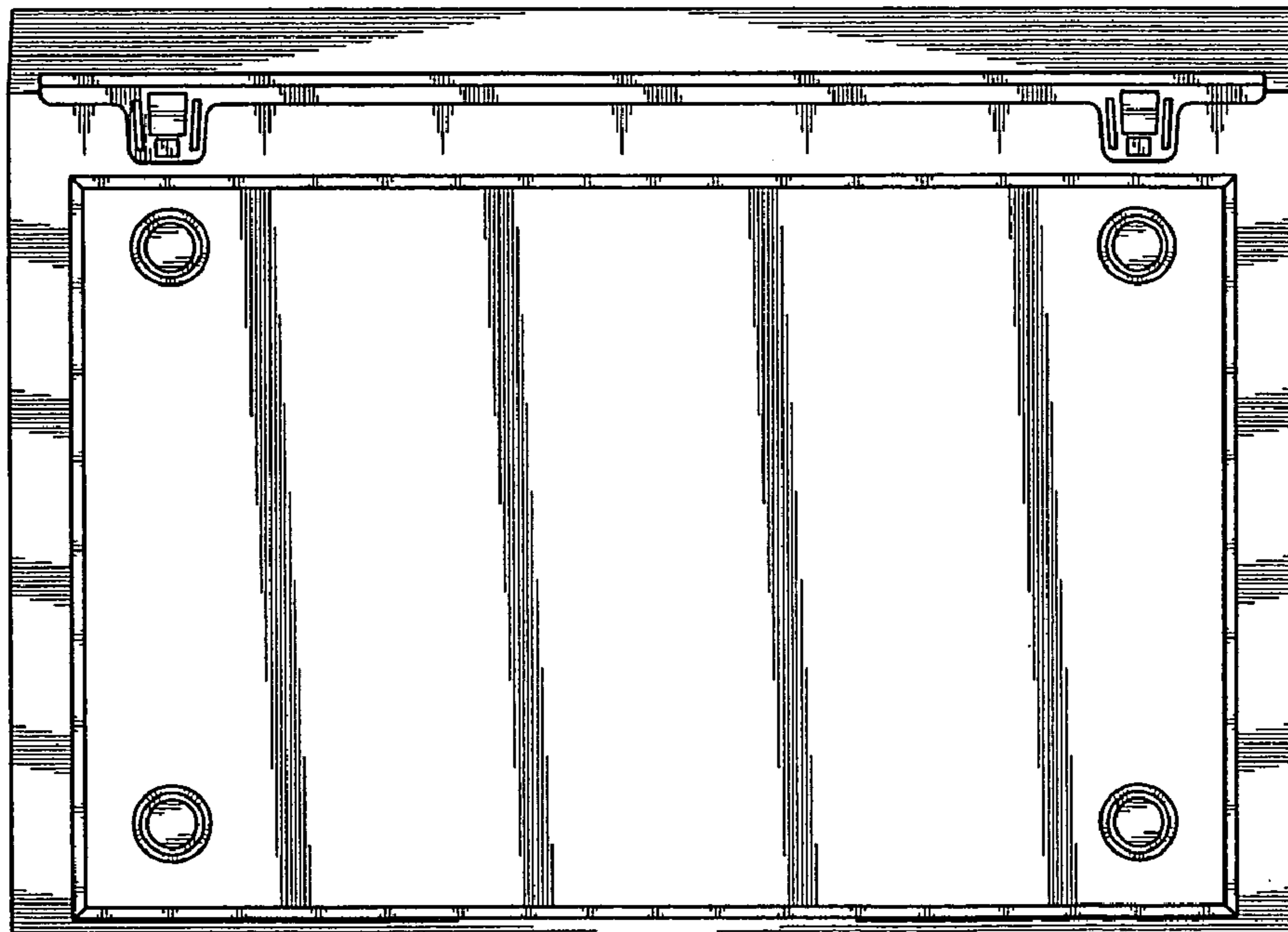


FIG. 7