



US00D545772S

(12) **United States Design Patent**
Schürg et al.

(10) **Patent No.:** **US D545,772 S**
(45) **Date of Patent:** **** Jul. 3, 2007**

(54) **FOOT-OPERATED SWITCH**

2005/0138727 A1* 6/2005 Faux et al. 5/81.1 R

(75) Inventors: **Peter Schürg**, Mössingen (DE);
Roland Hundt, Neckartailfingen (DE)

* cited by examiner

(73) Assignee: **ERBE Elektromedizin GmbH**,
Tübingen (DE)

Primary Examiner—Selina Sikder
(74) *Attorney, Agent, or Firm*—Akin Gump Strauss Hauer &
Feld LLP

(**) Term: **14 Years**

(57) **CLAIM**

(21) Appl. No.: **29/256,019**

The ornamental design for a foot-operated switch, as shown
and described.

(22) Filed: **Mar. 15, 2006**

DESCRIPTION

(51) **LOC (8) Cl.** **13-03**

FIG. 1 is a top plan view of a first embodiment of the
foot-operated switch in accordance with our new design;

(52) **U.S. Cl.** **D13/167**

FIG. 2 is a front perspective view thereof;

(58) **Field of Classification Search** D13/167;
D15/72; D24/179; 5/600, 616; 74/512,
74/616; 200/43.01, 61.09, 61.89, 86.5, 86 R;
297/71, 330; 338/153; 433/101
See application file for complete search history.

FIG. 3 is a rear elevation view thereof;

FIG. 4 is a left elevation view thereof, the right elevation
view being a mirror image;

(56) **References Cited**

U.S. PATENT DOCUMENTS

D148,589 S *	2/1948	Stone et al.	D13/167
2,804,838 A *	9/1957	Moser	440/7
5,883,615 A *	3/1999	Fago et al.	345/156
6,051,797 A *	4/2000	Meinel	200/86.5
6,064,015 A *	5/2000	Braaten	200/86.5
6,313,421 B1 *	11/2001	Abrahamsen	200/332.1
7,058,998 B2 *	6/2006	Diller et al.	5/614
2002/0137007 A1 *	9/2002	Beerstecher	433/101
2003/0004497 A1 *	1/2003	Chappuis	606/1
2005/0026108 A1 *	2/2005	Maingassner et al.	433/101

FIG. 5 is a bottom plan view thereof;

FIG. 6 is a front elevation view thereof;

FIG. 7 is a top plan view of a second embodiment of the
foot-operated switch in accordance with our new design;

FIG. 8 is a front perspective view thereof;

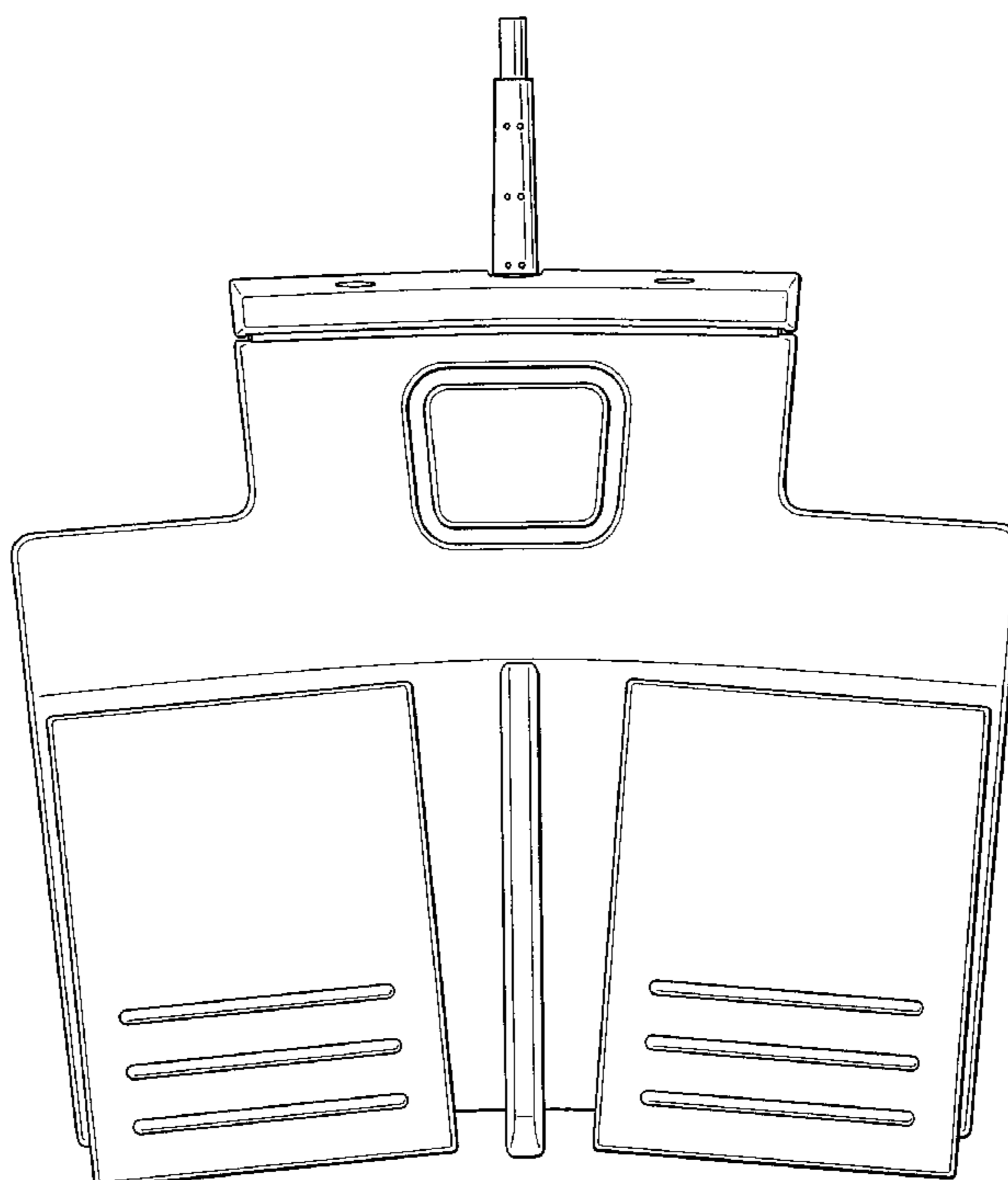
FIG. 9 is a rear elevation view thereof;

FIG. 10 is a left elevation view thereof, the right elevation
view being a mirror image;

FIG. 11 is a bottom plan view thereof; and,

FIG. 12 is a front elevation view thereof.

1 Claim, 12 Drawing Sheets



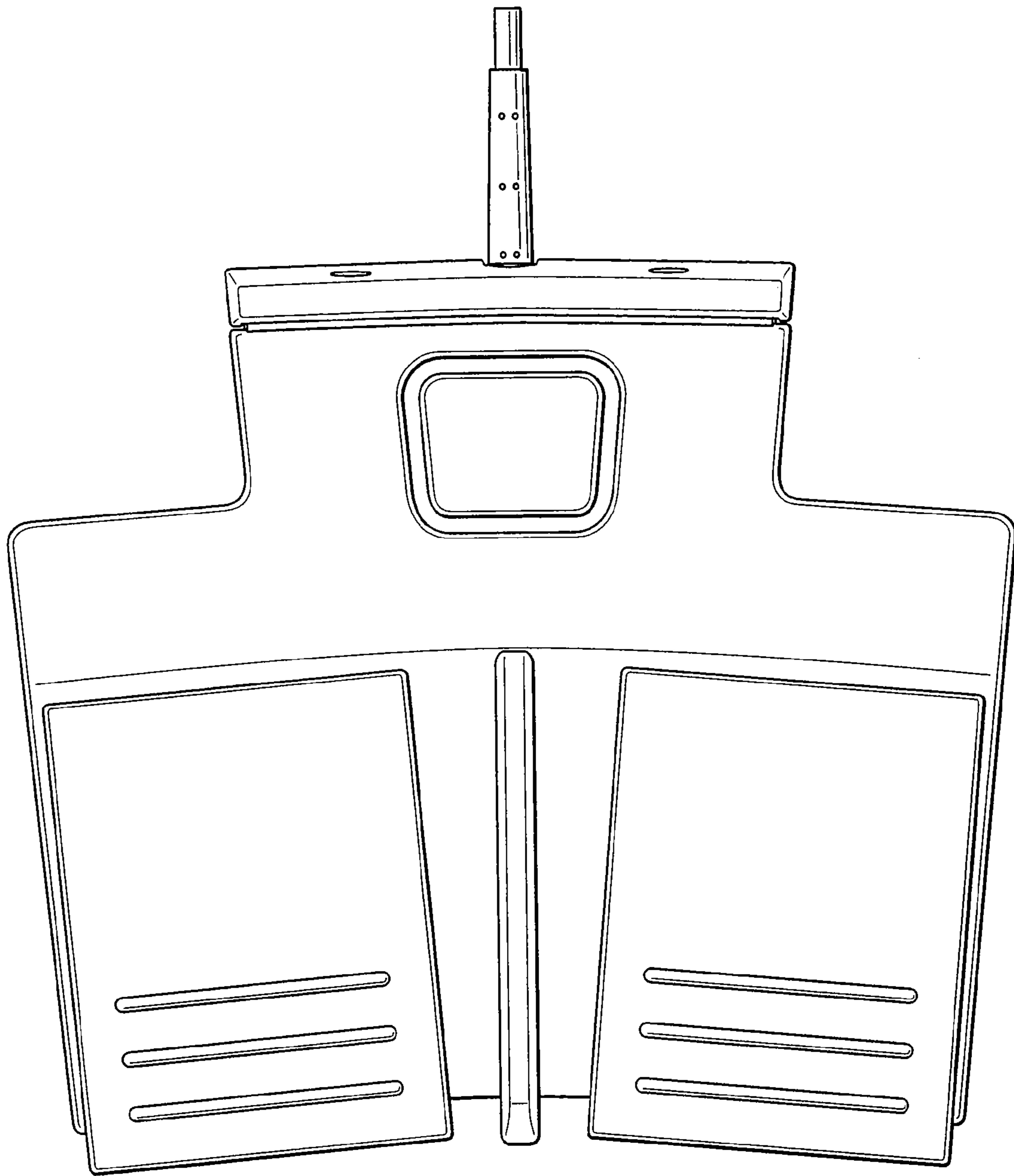


Fig. 1

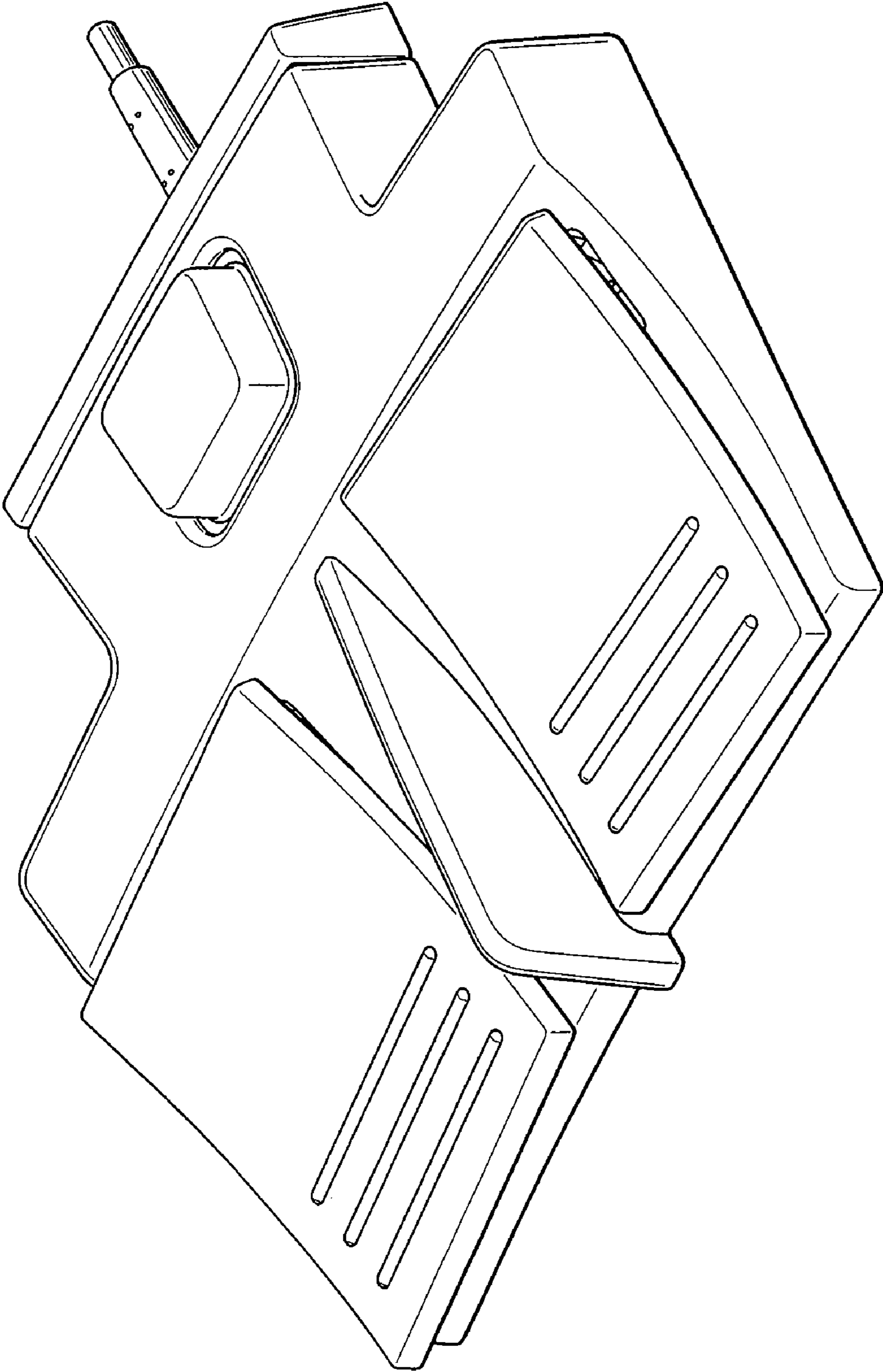


Fig. 2

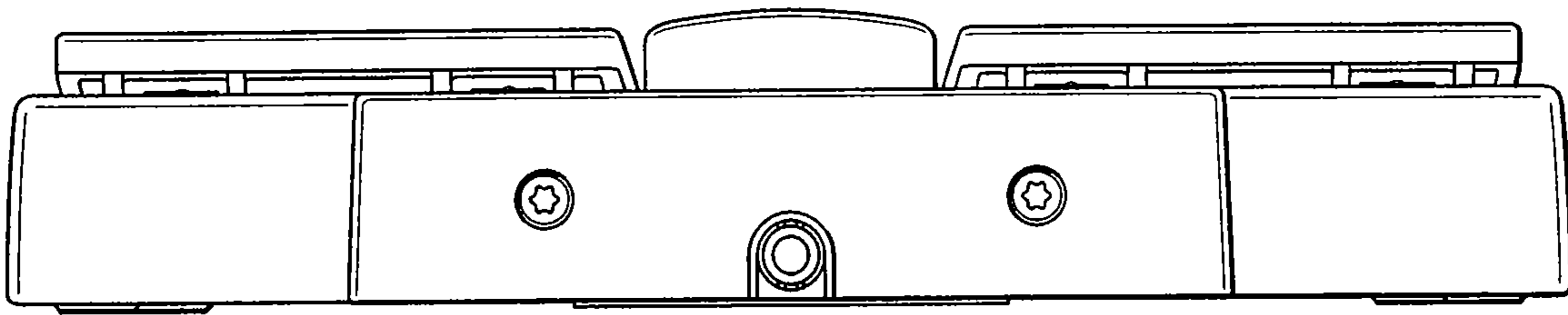


Fig. 3

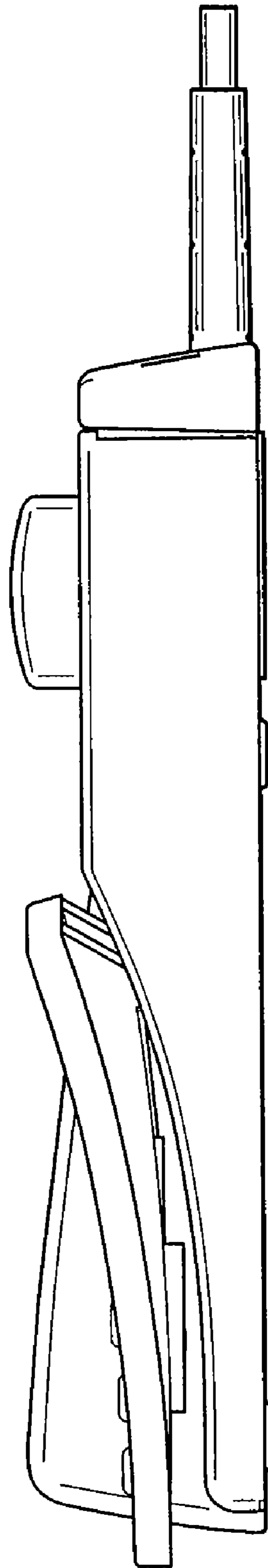


Fig. 4

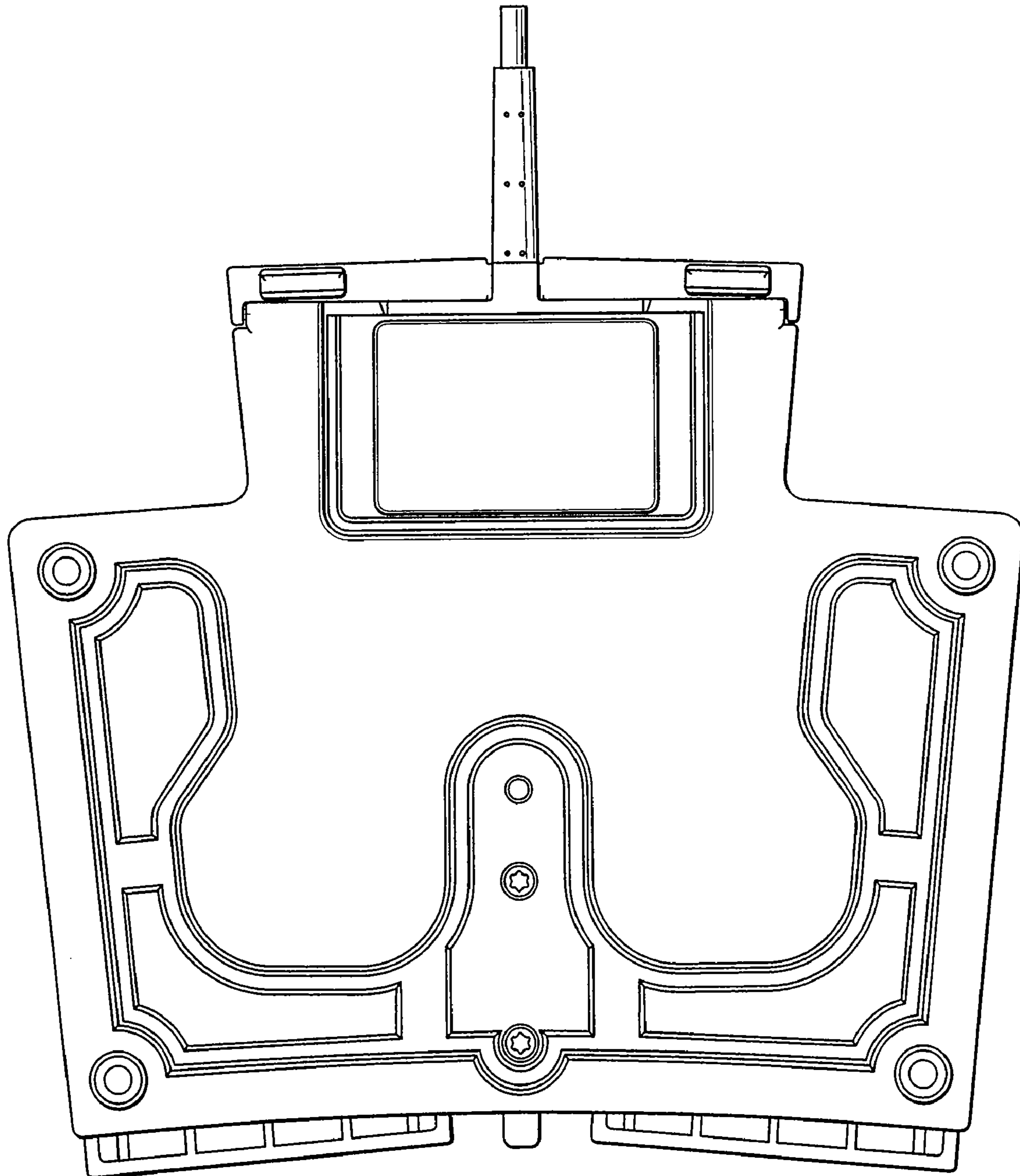


Fig. 5

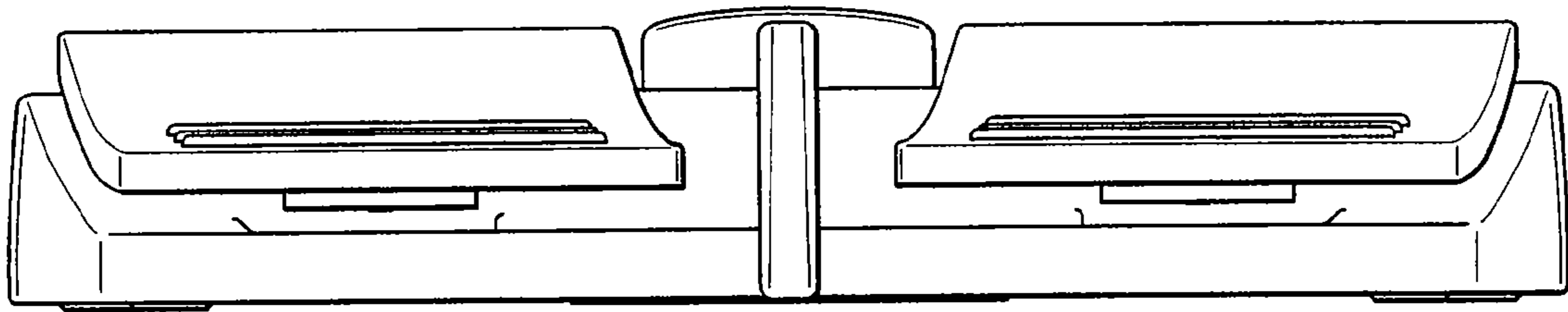


Fig. 6

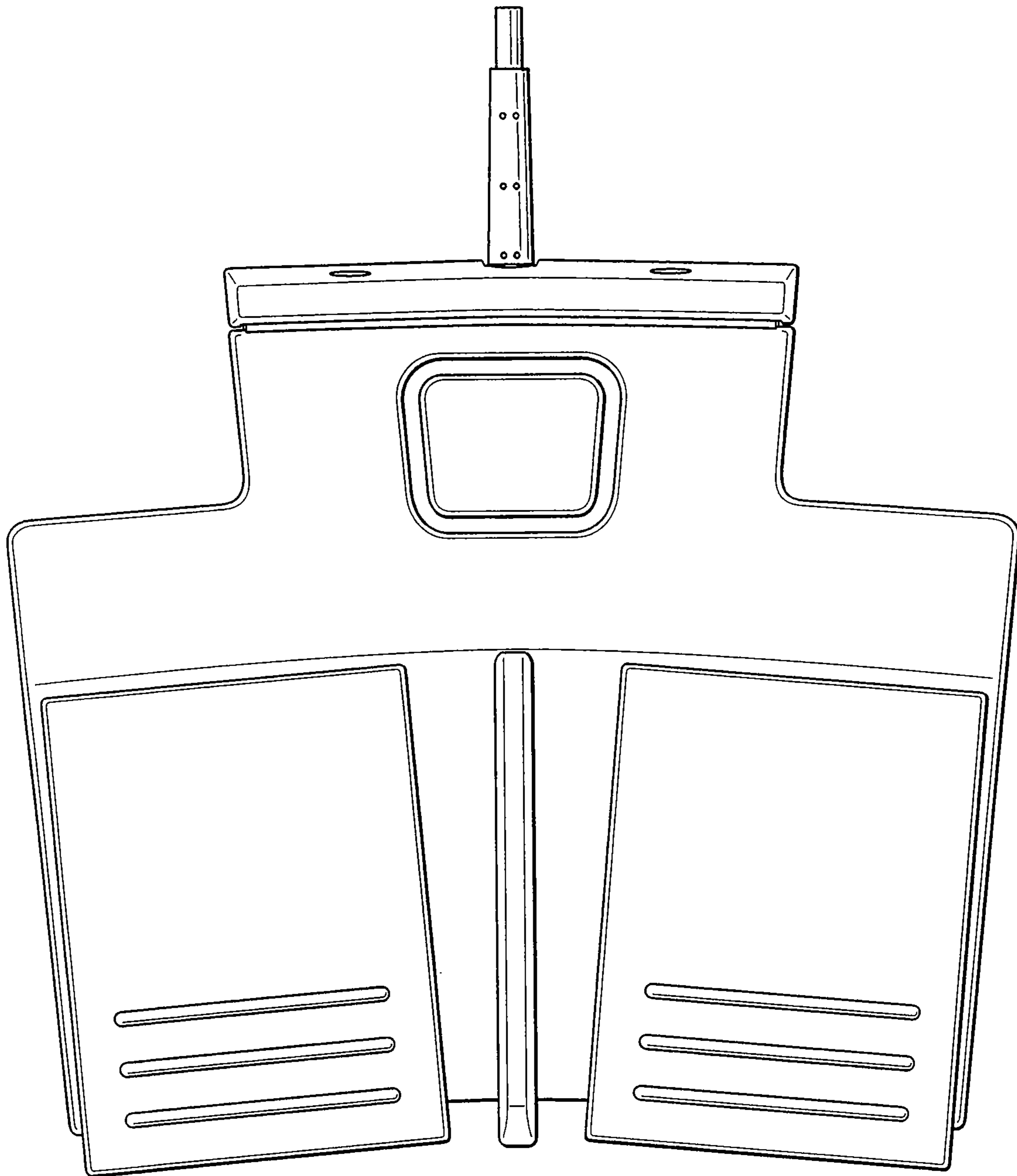


Fig. 7

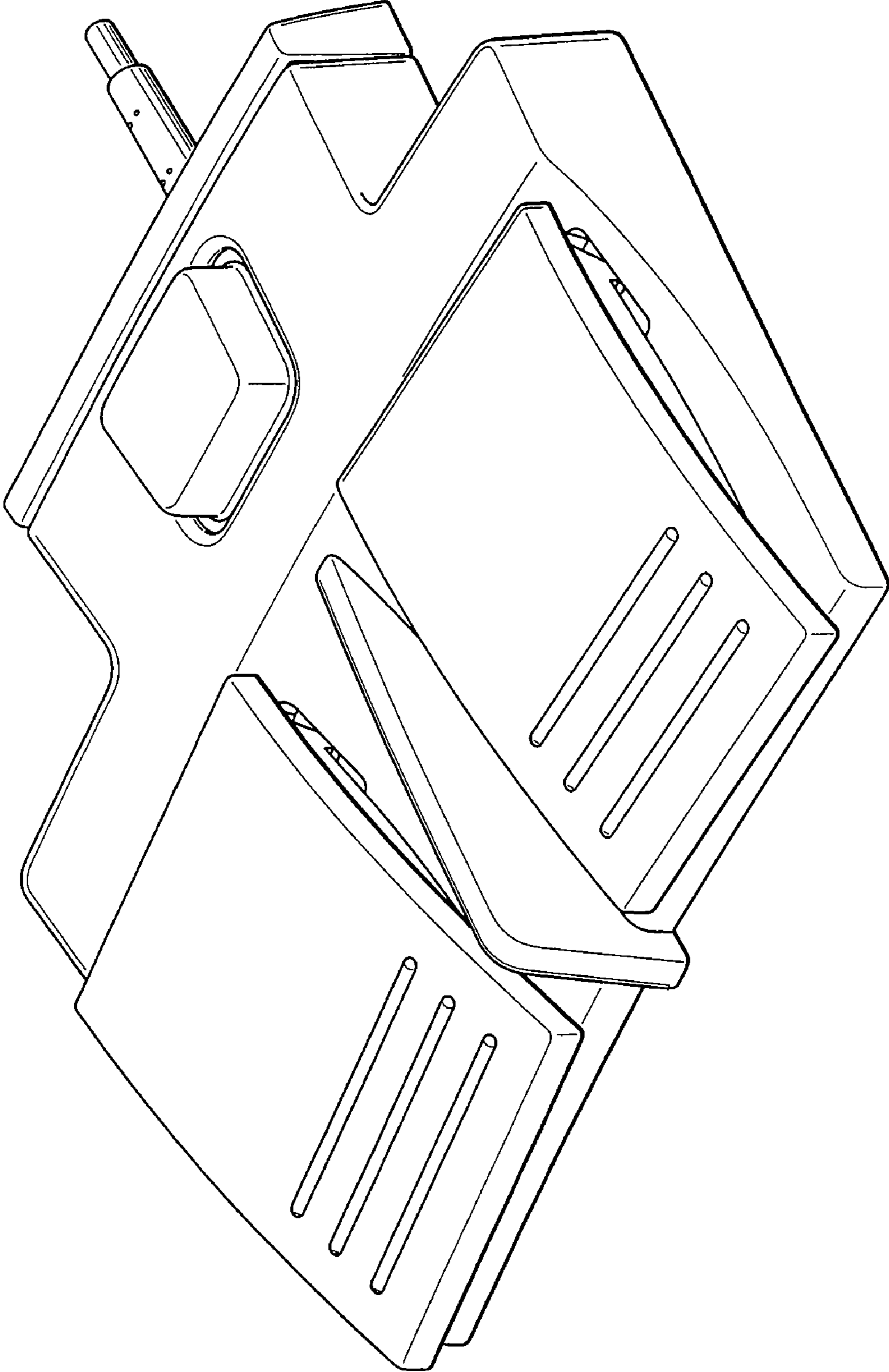


Fig. 8

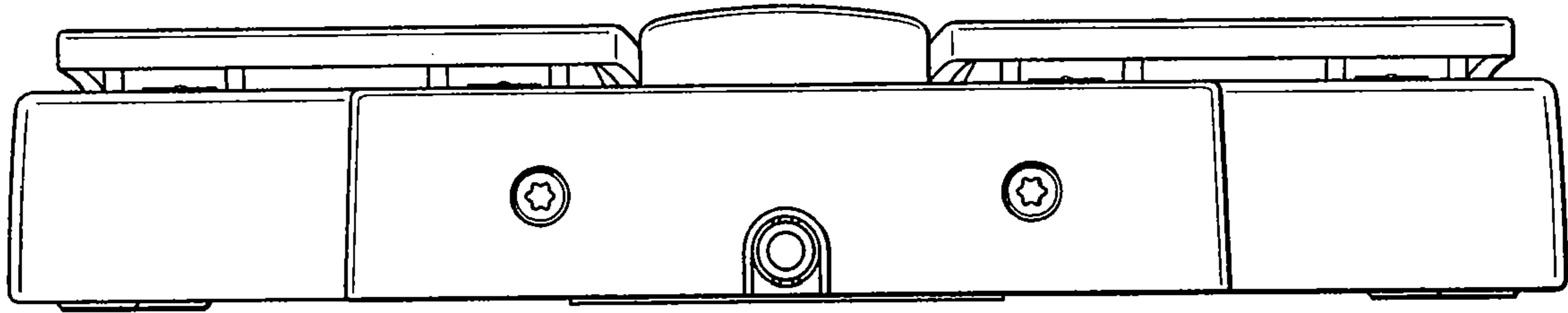


Fig. 9

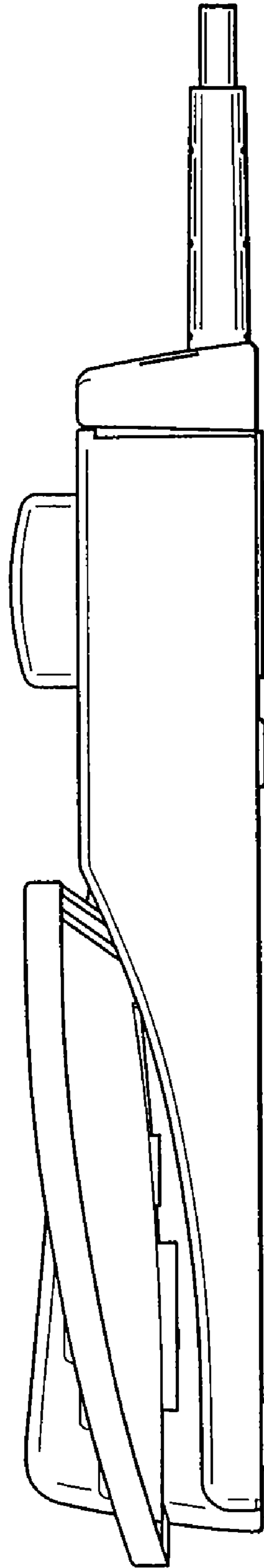


Fig. 10

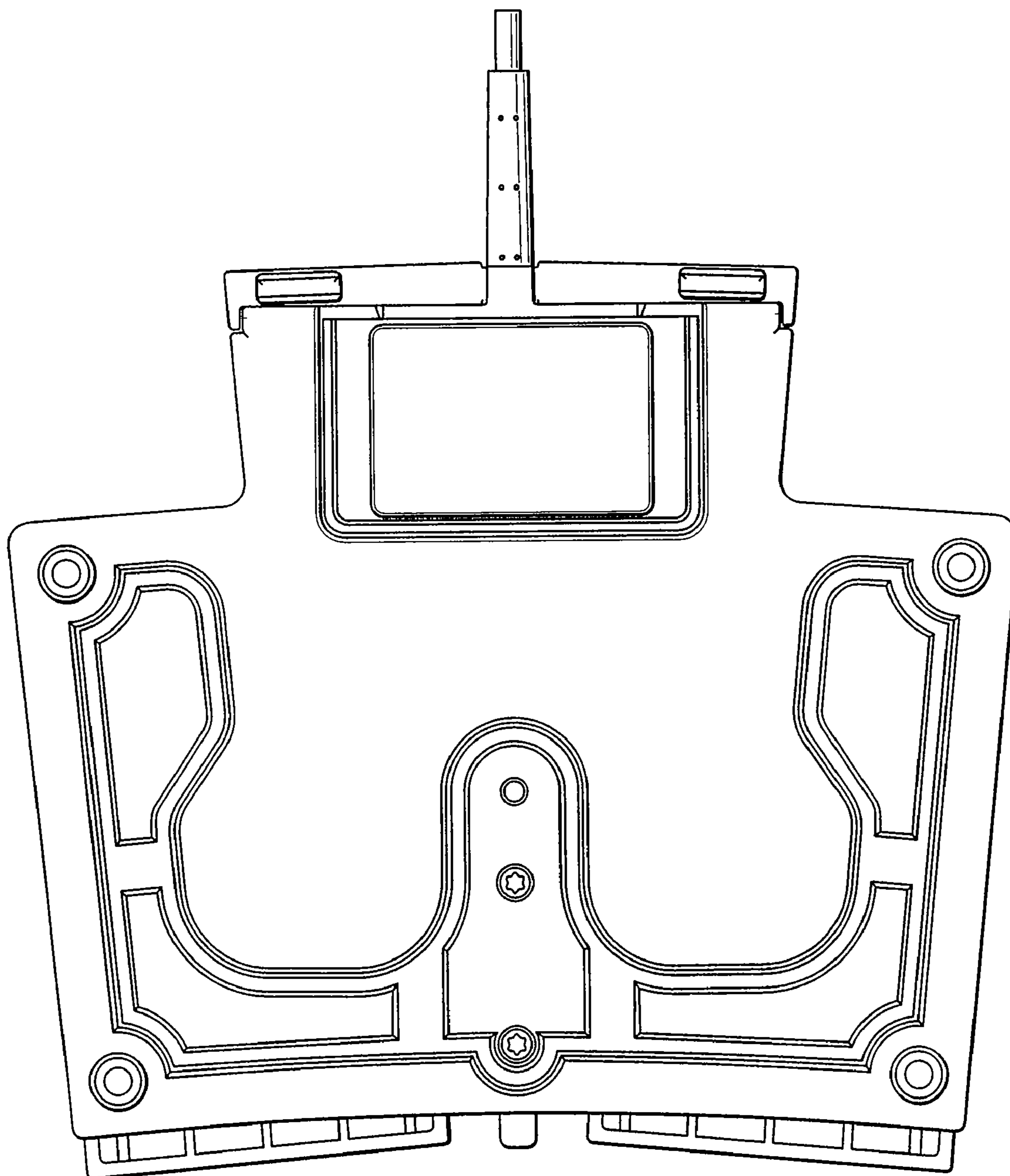


Fig. 11

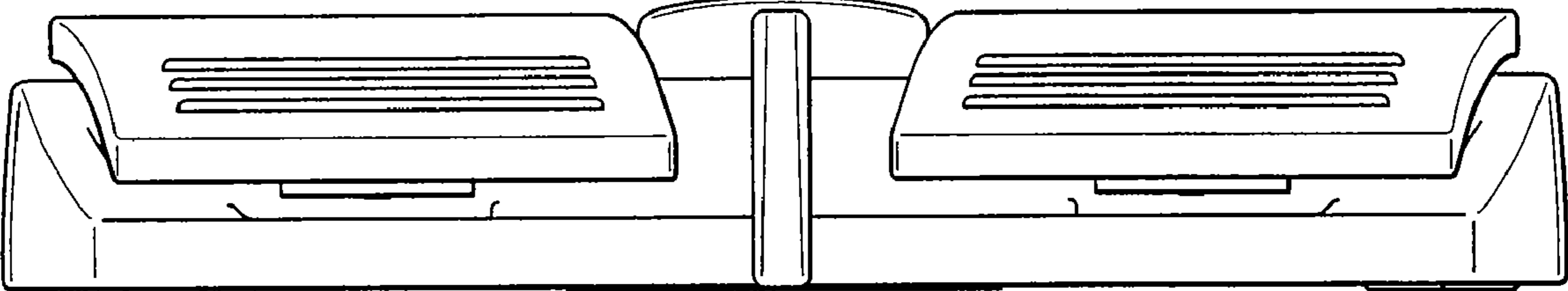


Fig. 12