



US00D545768S

(12) **United States Design Patent**
Hsu

(10) **Patent No.:** **US D545,768 S**

(45) **Date of Patent:** **** Jul. 3, 2007**

(54) **SWITCH**

D461,453 S * 8/2002 Chen D13/147
D503,384 S * 3/2005 Weatherly D13/147
D526,616 S * 8/2006 Nakashima et al. D13/133

(75) Inventor: **Kao-Yu Hsu**, Taipei (TW)

(73) Assignee: **Inventec Multimedia & Telecom Corporation**, Taipei (TW)

(**) Term: **14 Years**

* cited by examiner

Primary Examiner—Daniel Bui
(74) *Attorney, Agent, or Firm*—Rabin & Berdo, P.C.

(21) Appl. No.: **29/262,534**

(57) **CLAIM**

(22) Filed: **Jul. 6, 2006**

The ornamental design for a “switch,” as shown and described.

(51) **LOC (8) Cl.** **13-03**

(52) **U.S. Cl.** **D13/147**

(58) **Field of Classification Search** D13/146–147,
D13/154, 184, 199; D14/140, 240, 256,
D14/299; 439/344, 540.1, 606–610, 682,
439/692

See application file for complete search history.

DESCRIPTION

FIG. 1 is a top, front and right side perspective view of a switch showing our new design;

FIG. 2 is a front elevation view thereof;

FIG. 3 is a rear elevation view thereof;

FIG. 4 is a left side elevation view thereof;

FIG. 5 is a right side elevation view thereof;

FIG. 6 is a top plan view thereof; and,

FIG. 7 is a bottom plan view thereof.

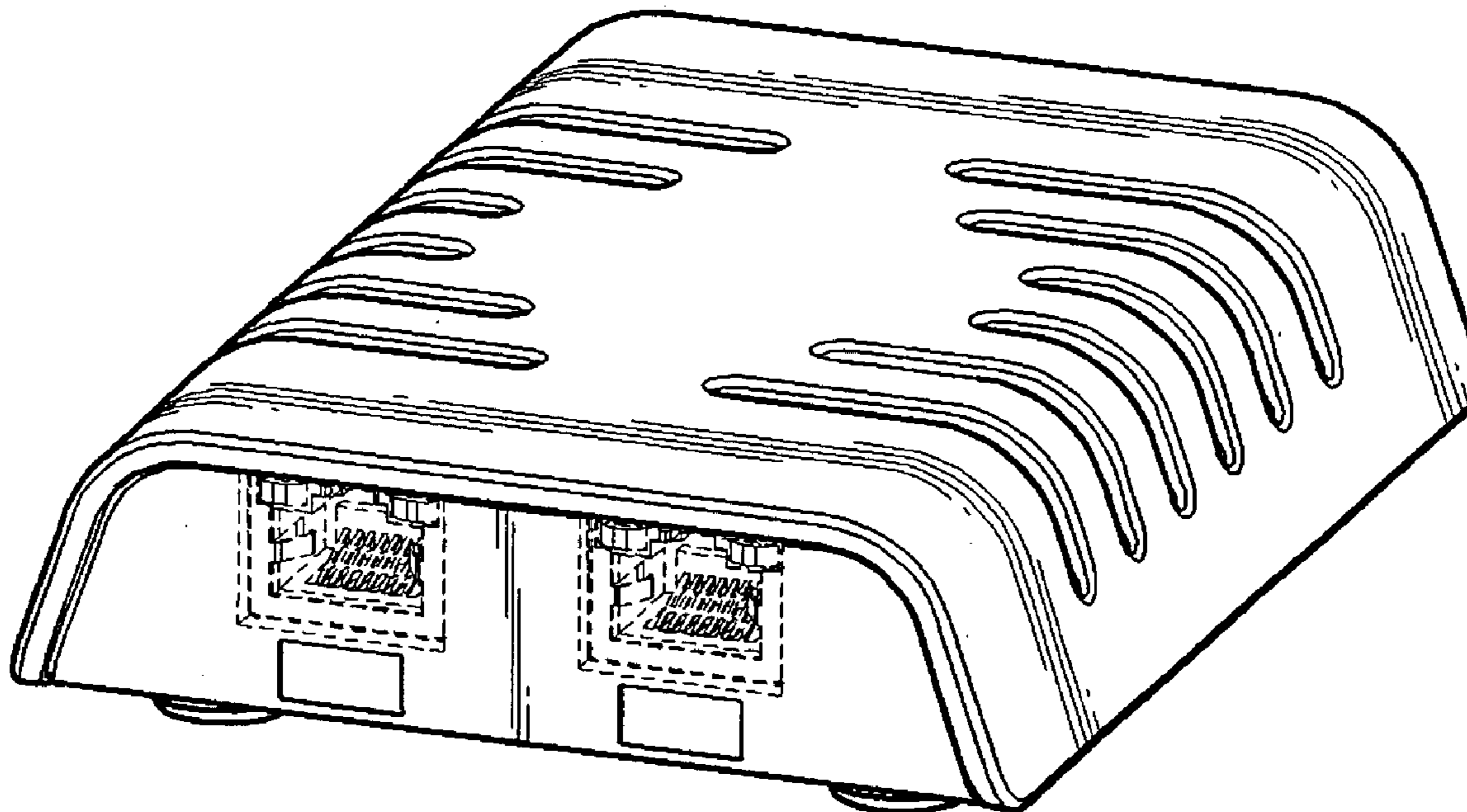
The broken line showing of the environment is for illustrative purposes only and forms no part of the claimed design.

(56) **References Cited**

U.S. PATENT DOCUMENTS

D314,746 S * 2/1991 Benjamin et al. D13/133
D348,070 S * 6/1994 Vallillee D14/240
D368,265 S * 3/1996 Fan D14/256
D378,674 S * 4/1997 Volansky et al. D13/147
D392,645 S * 3/1998 Wakabayashi D14/240
D429,691 S * 8/2000 Nishio et al. D13/147

1 Claim, 5 Drawing Sheets



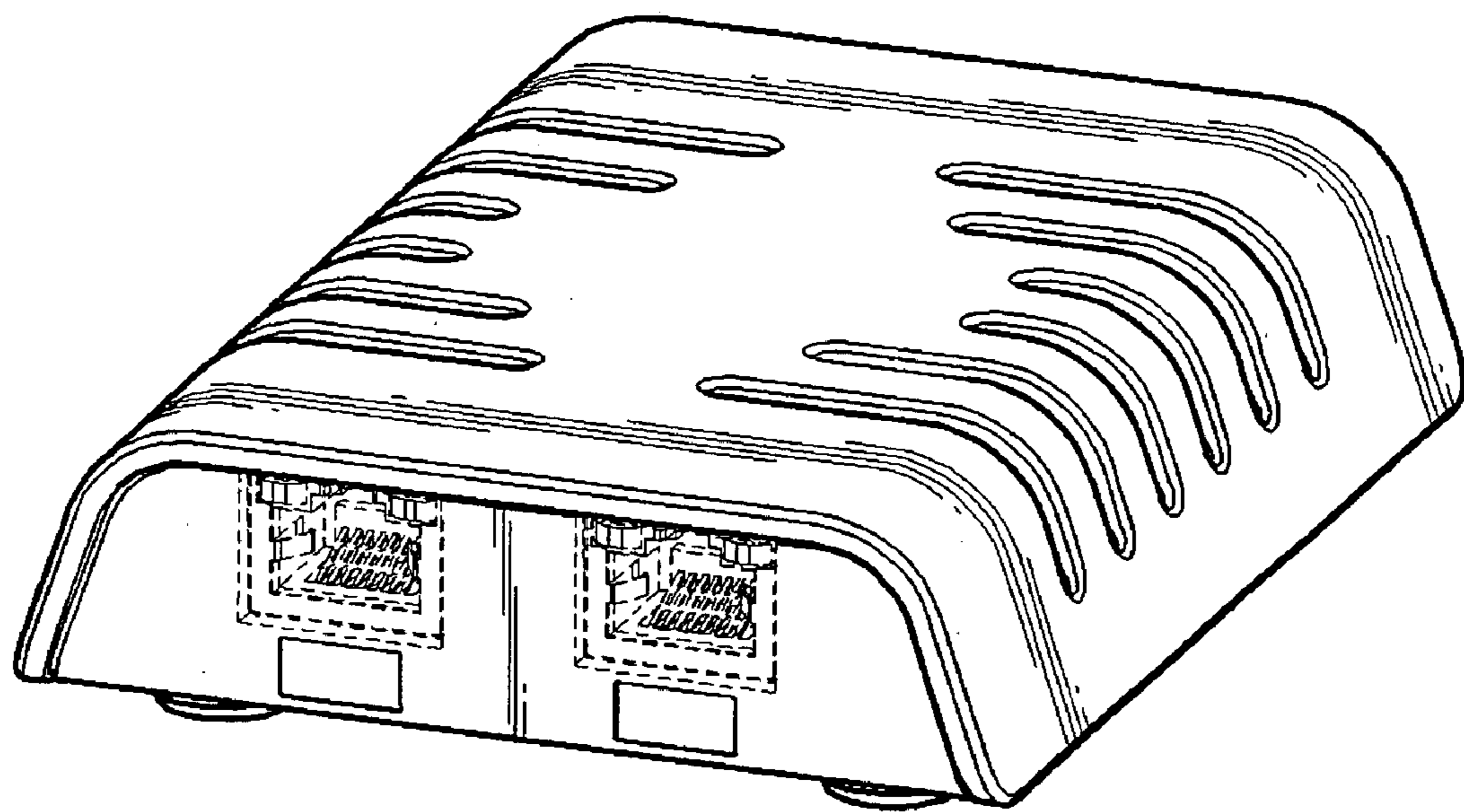


FIG. 1

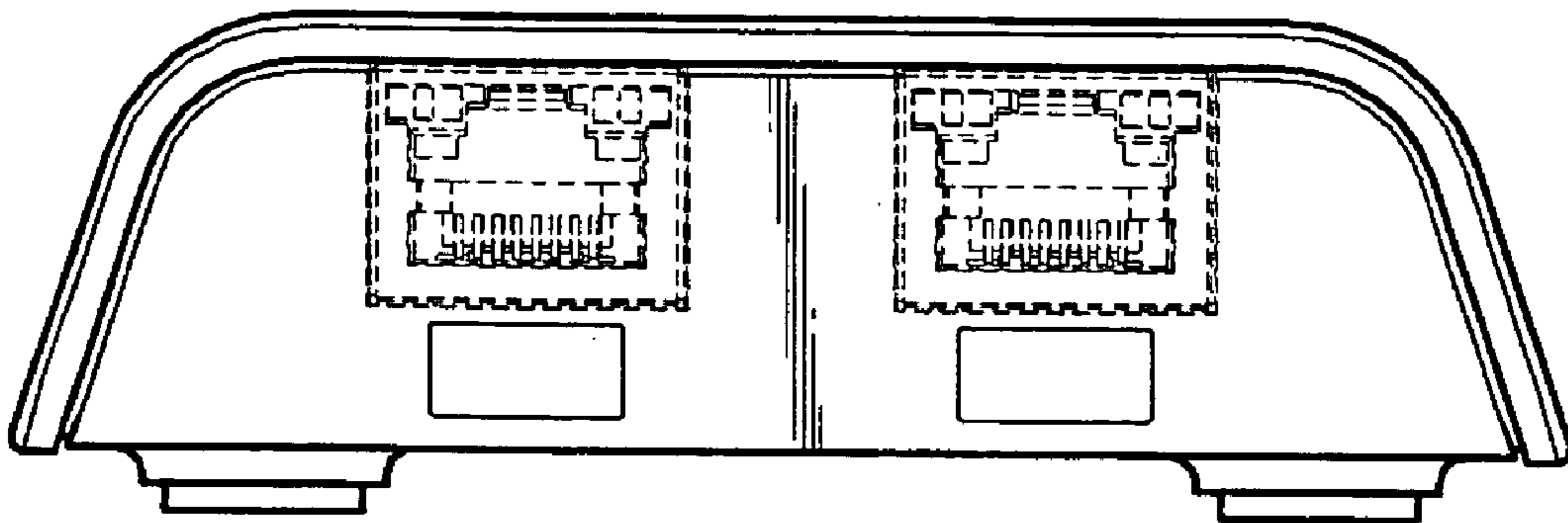


FIG. 2

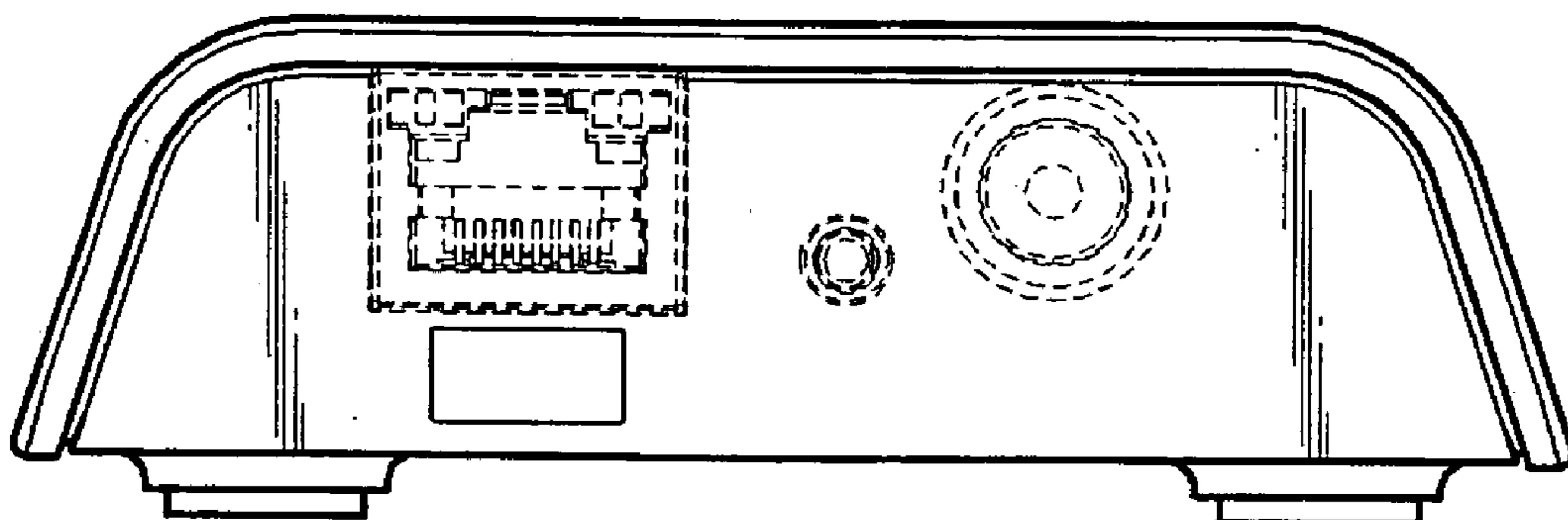


FIG. 3

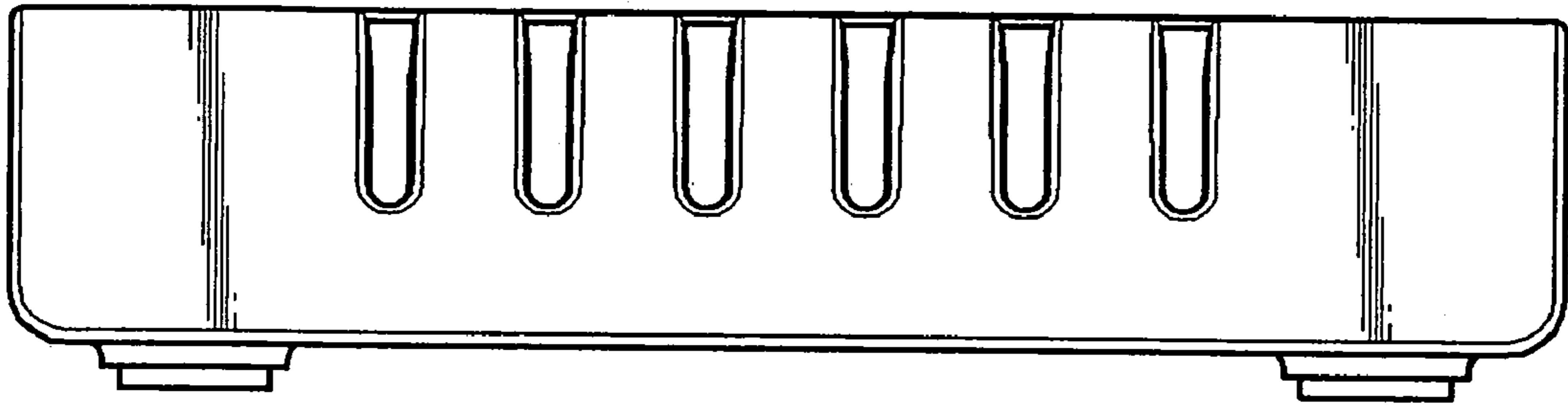


FIG. 4

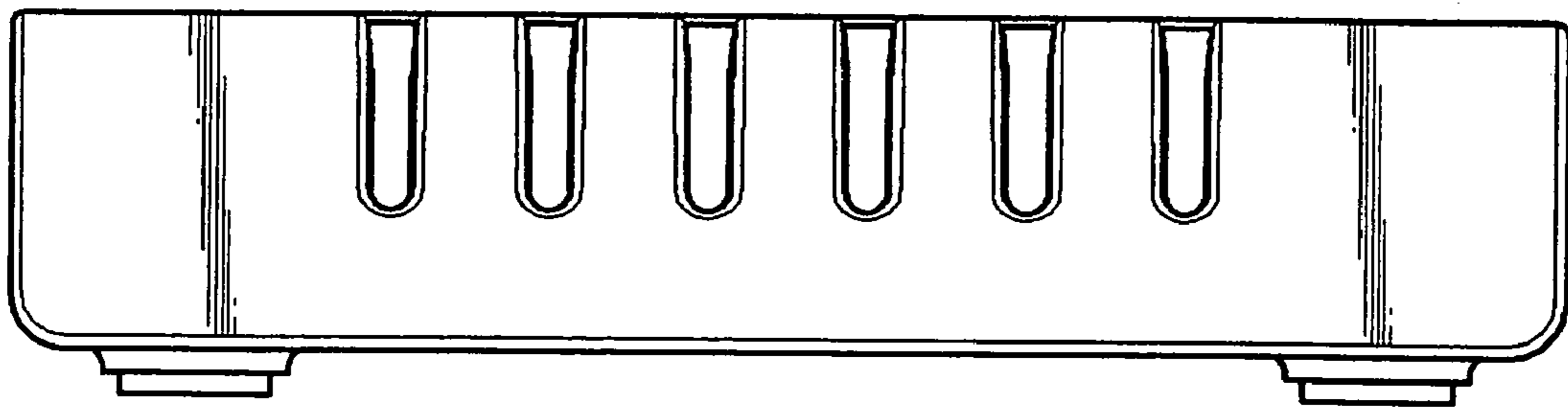


FIG. 5

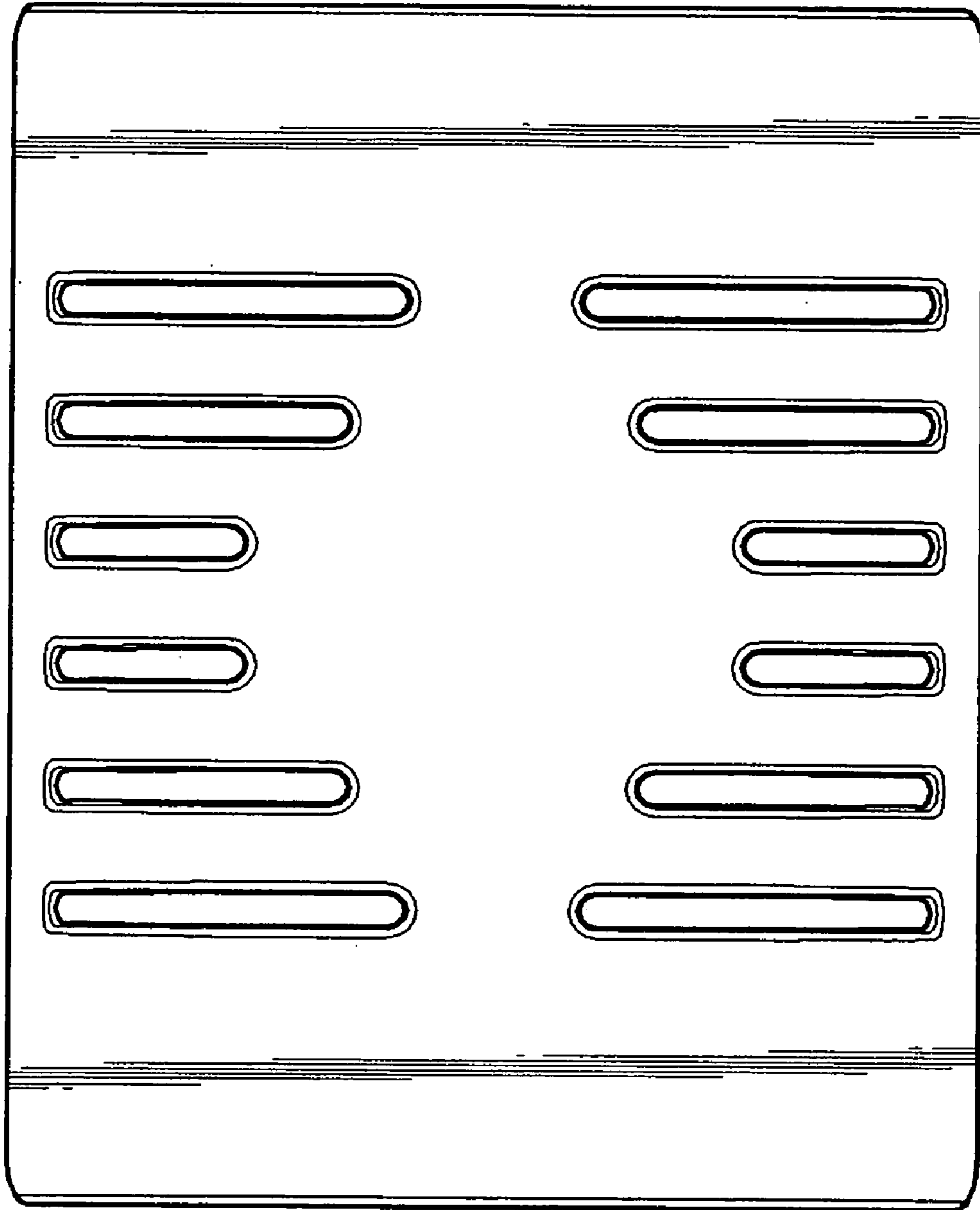


FIG.6

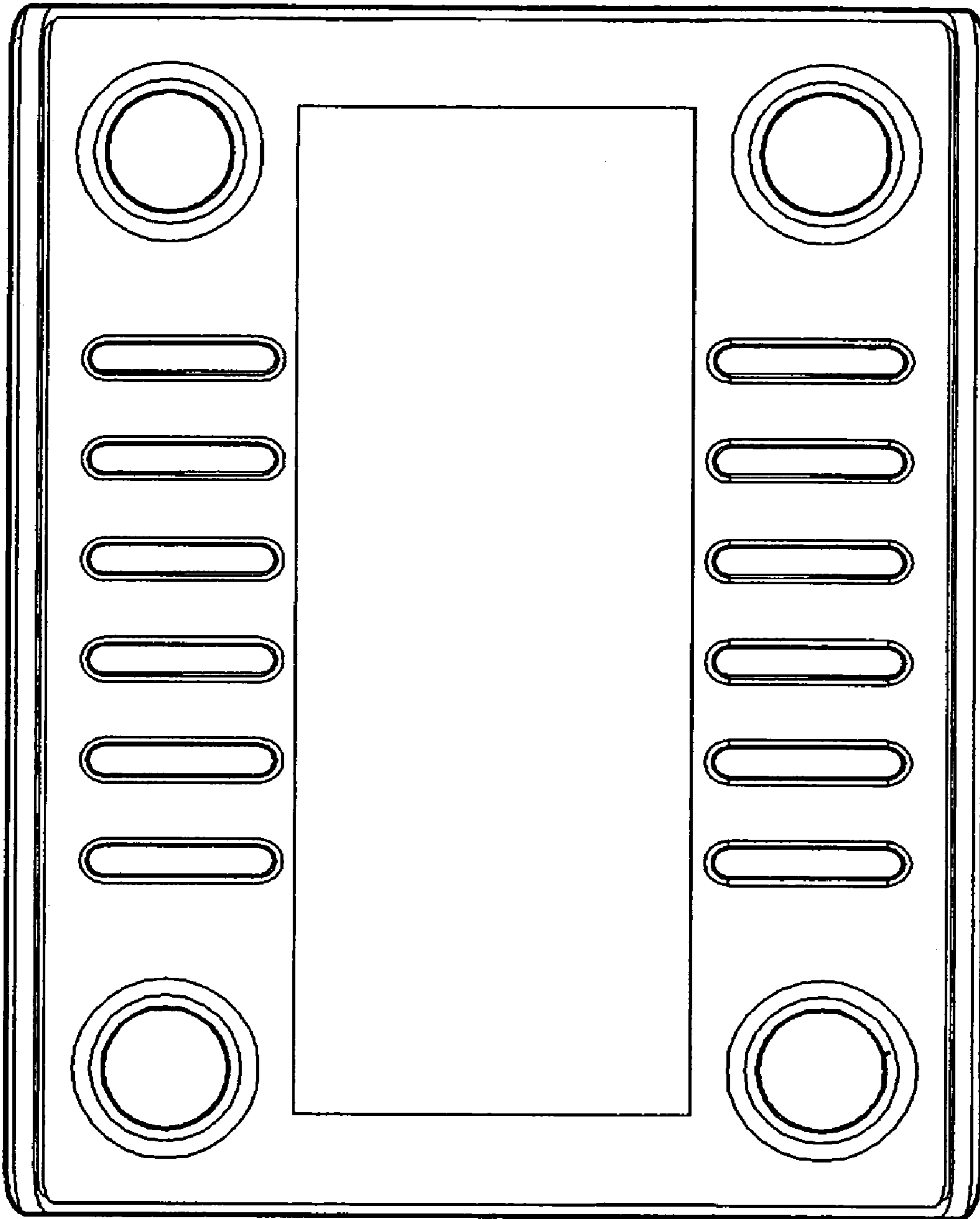


FIG. 7