

US00D545767S

(12) **United States Design Patent**
Chen et al.

(10) **Patent No.:** **US D545,767 S**

(45) **Date of Patent:** **** Jul. 3, 2007**

(54) **CONNECTOR**

(75) Inventors: **Ping-Chih Chen**, Tu-Cheng (TW);
Mao Jung Huang, Tu-Cheng (TW);
Te-Hung Yin, Tu-Cheng (TW)

(73) Assignee: **Cheng Uei Precision Industry Co., Ltd.**, Taipei Hsien (TW)

(**) Term: **14 Years**

(21) Appl. No.: **29/231,383**

(22) Filed: **Jun. 4, 2005**

(51) **LOC (8) Cl.** **13-03**

(52) **U.S. Cl.** **D13/147**

(58) **Field of Classification Search** D13/133,
D13/146-147, 154, 184, 199; 439/79, 83,
439/108, 594, 540.1, 597, 606-610, 600,
439/639, 677, 680

See application file for complete search history.

(56) **References Cited**

U.S. PATENT DOCUMENTS

5,254,010 A * 10/1993 Davis 439/108
D381,957 S * 8/1997 Goto D13/147

5,676,569 A * 10/1997 Davis 439/731
D443,251 S * 6/2001 Wang et al. D13/147
7,044,792 B1 * 5/2006 Chen et al. 439/607
D524,746 S * 7/2006 Lai D13/147
D527,707 S * 9/2006 Lai D13/147

* cited by examiner

Primary Examiner—Daniel Bui

(57) **CLAIM**

The ornamental design for a connector, as shown and described.

DESCRIPTION

FIG. 1 is a top, front and right side perspective view of a connector, showing our new design;

FIG. 2 is a front elevational view thereof;

FIG. 3 is a rear elevational view thereof;

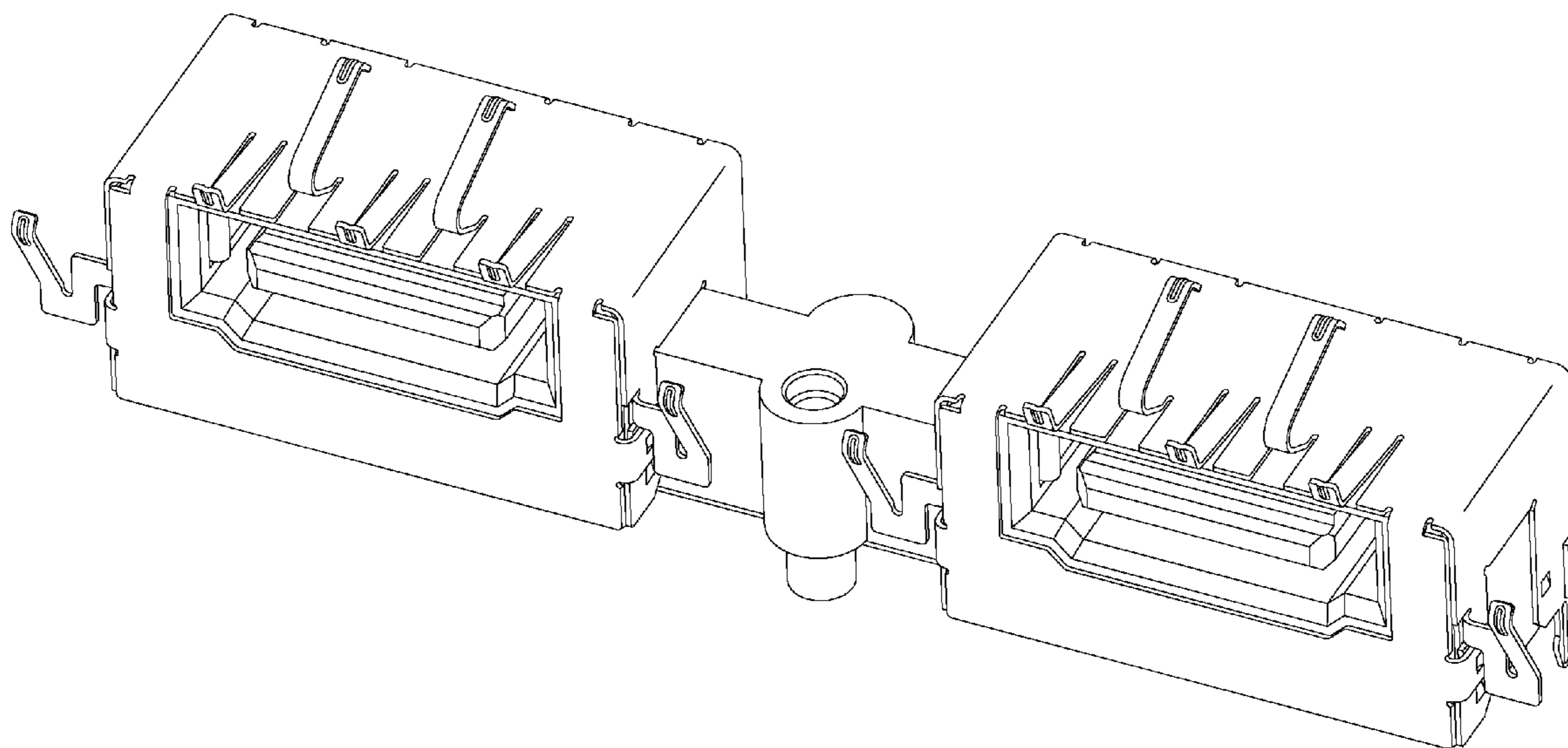
FIG. 4 is a left side elevational view thereof;

FIG. 5 is a right side elevational view thereof;

FIG. 6 is a top plan view thereof; and,

FIG. 7 is a bottom plan view thereof.

1 Claim, 7 Drawing Sheets



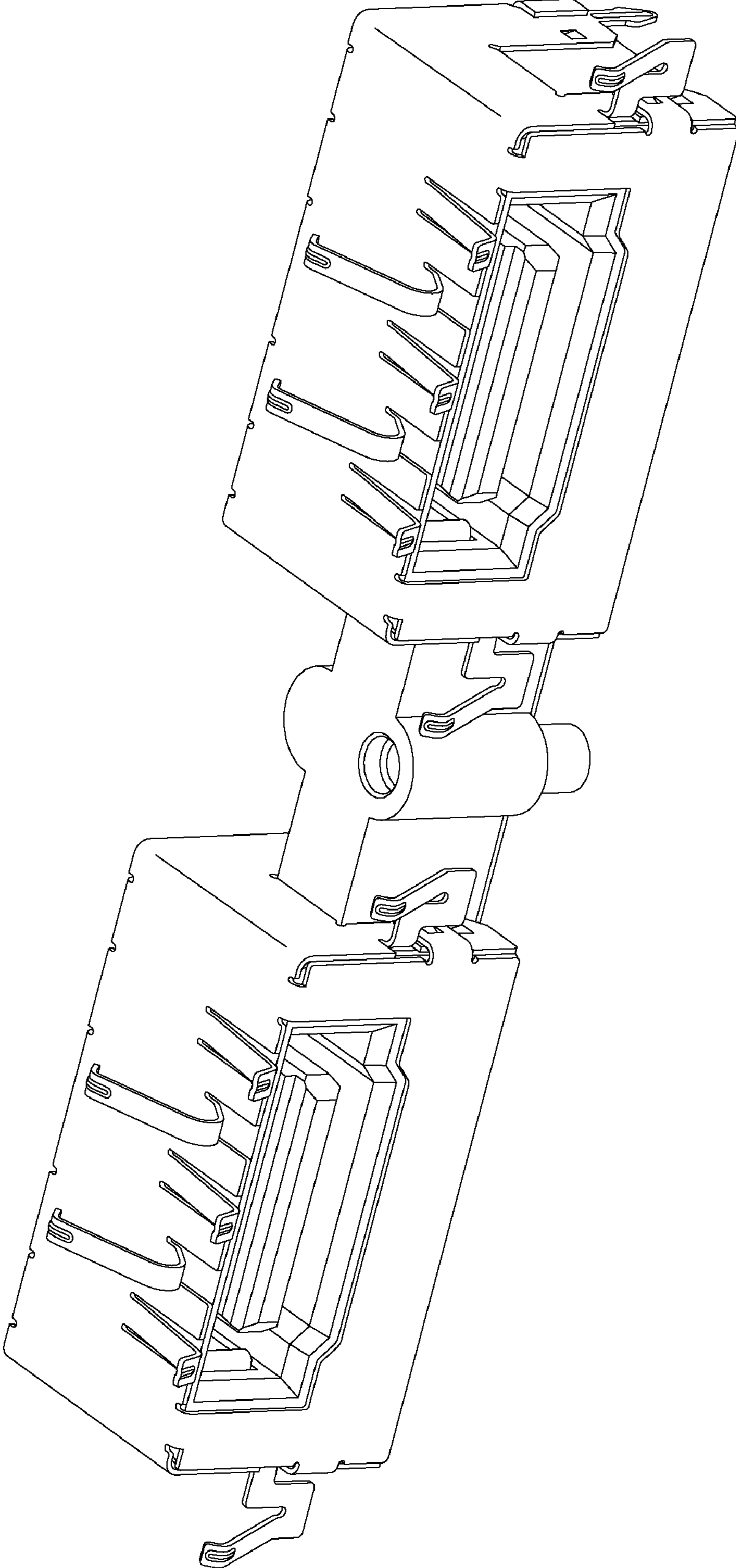


FIG. 1

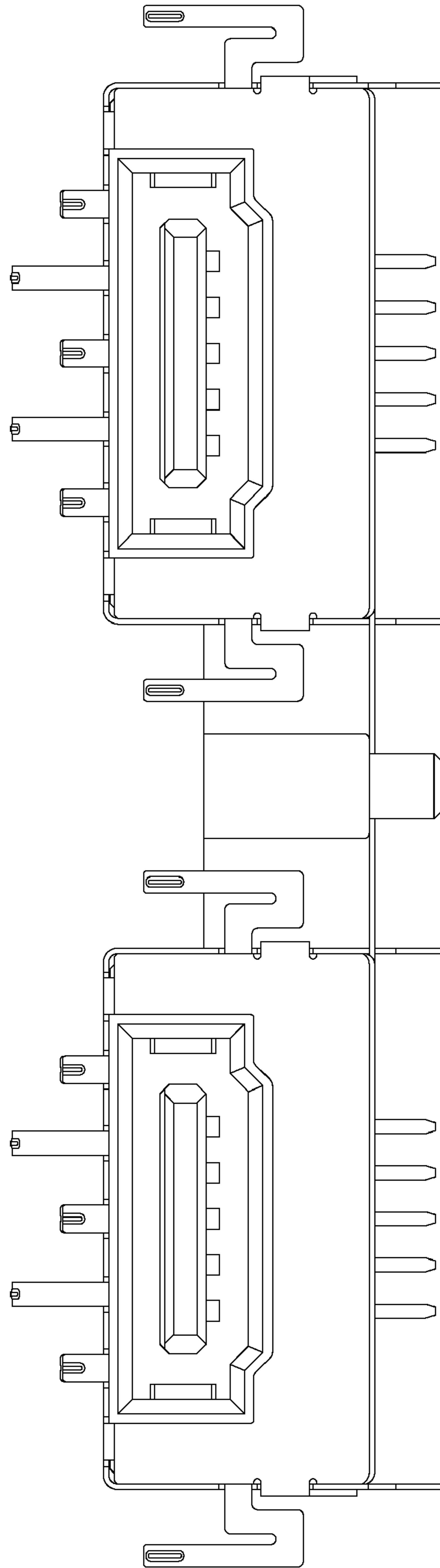


FIG. 2

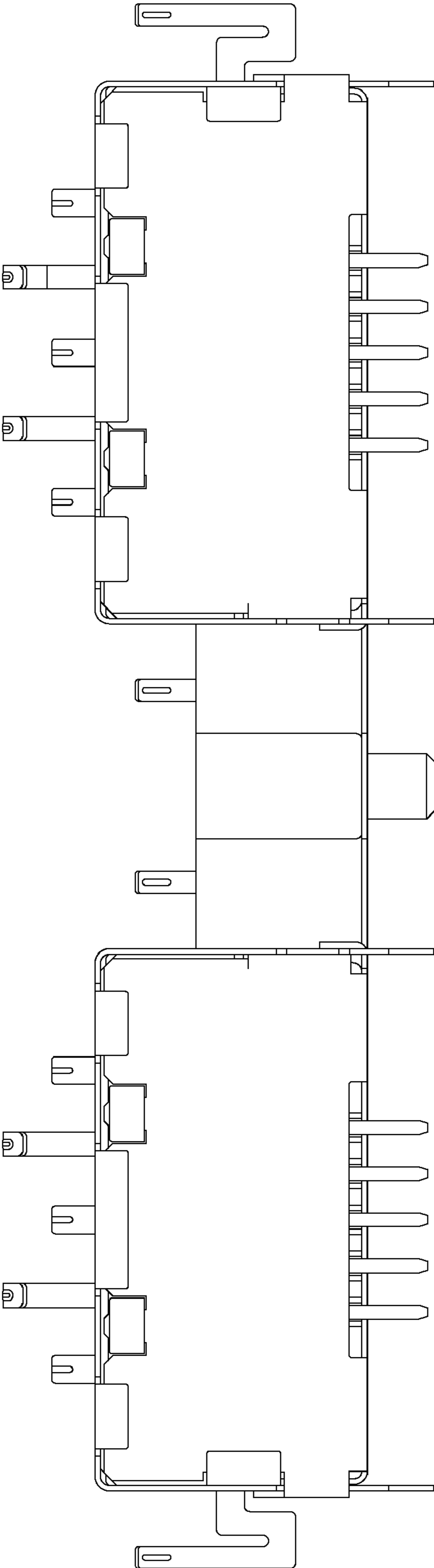


FIG. 3

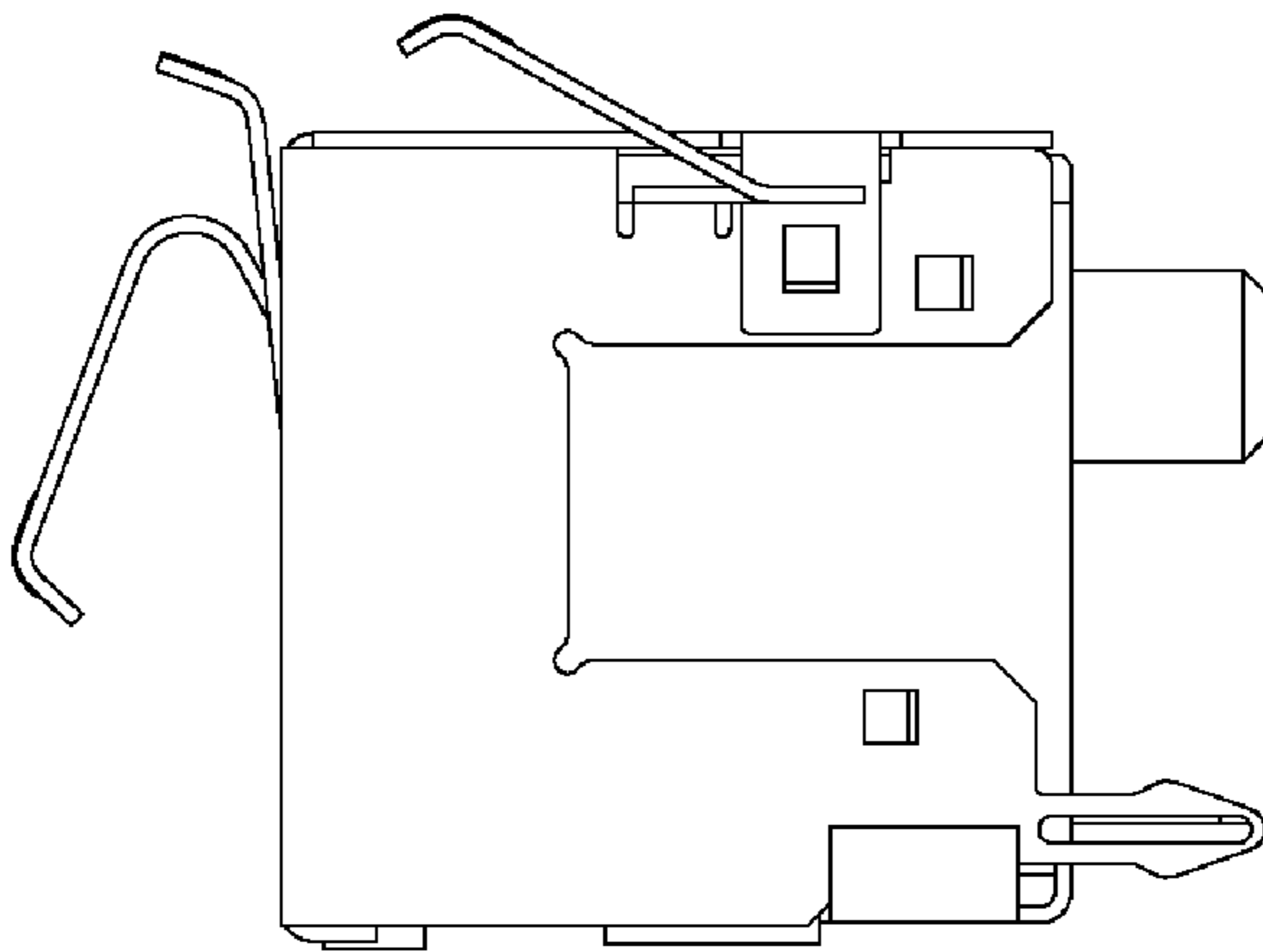


FIG. 4

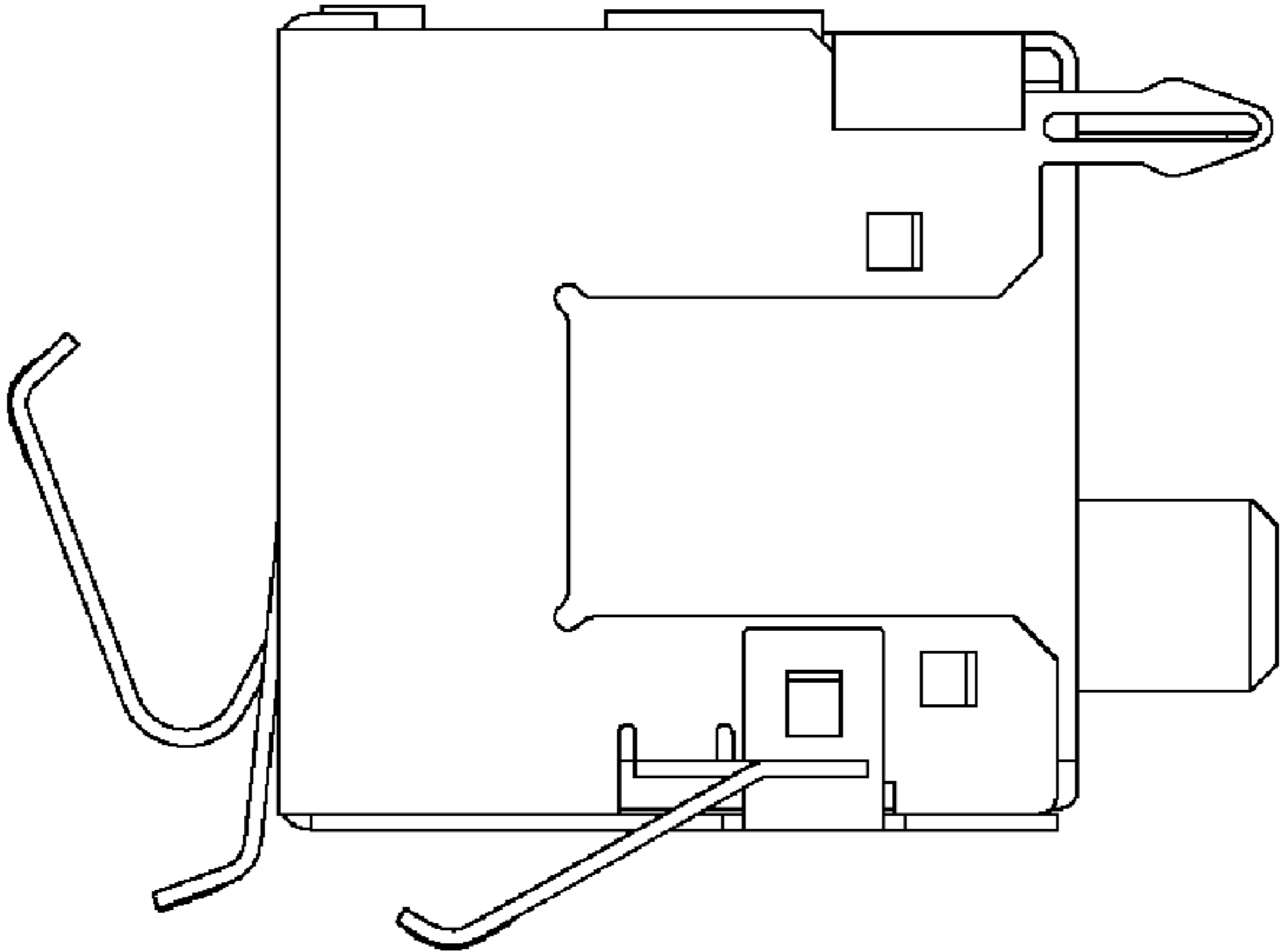


FIG. 5

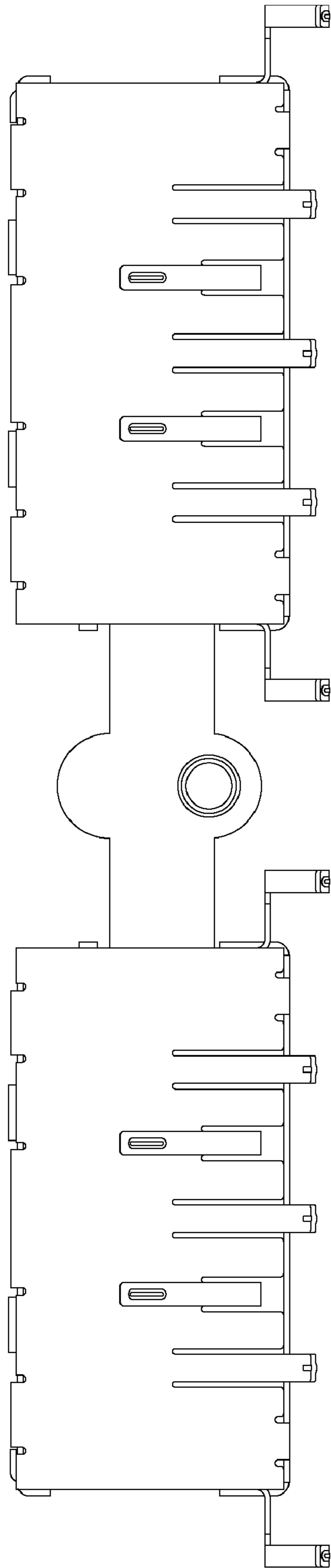


FIG. 6

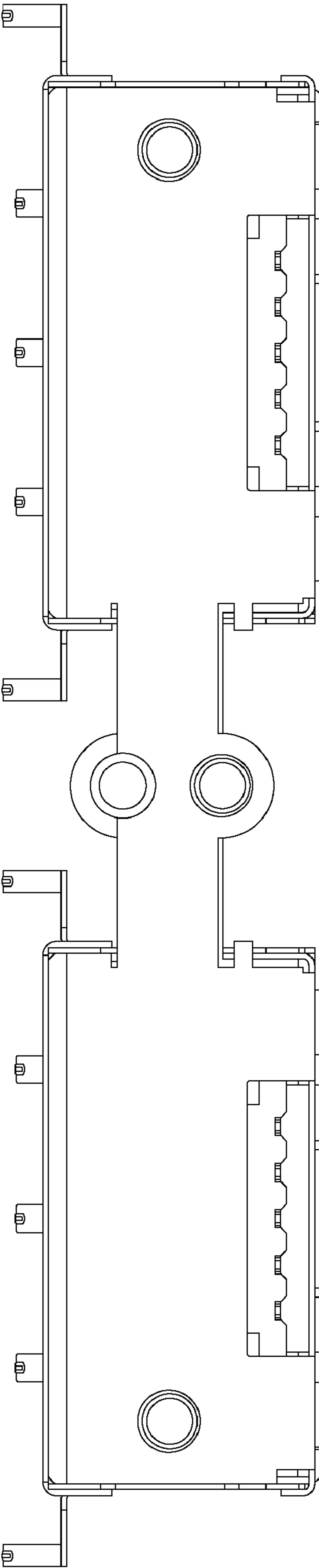


FIG. 7