



US00D545766S

(12) **United States Design Patent** (10) **Patent No.:** **US D545,766 S**
Ma (45) **Date of Patent:** **** Jul. 3, 2007**

(54) **PATCH PANEL**
(75) Inventor: **Yanhua Ma**, Carlingford (AU)
(73) Assignee: **ADC GmbH**, Berlin (DE)
(**) Term: **14 Years**

(21) Appl. No.: **29/219,220**
(22) Filed: **Dec. 13, 2004**

(30) **Foreign Application Priority Data**

Jun. 16, 2004 (AU) 2446/2004

(51) **LOC (8) Cl.** **13-03**
(52) **U.S. Cl.** **D13/147**
(58) **Field of Classification Search** D13/123,
D13/133, 146-147, 154, 184, 199; 385/53,
385/134-136; 439/48, 532, 540.1, 536, 557,
439/676, 716

See application file for complete search history.

(56) **References Cited**

U.S. PATENT DOCUMENTS

D194,602 S * 2/1963 Lamont D13/147
4,995,688 A 2/1991 Anton et al.
5,011,257 A * 4/1991 Wettengel et al. 385/53
5,302,140 A 4/1994 Arnett
D371,540 S * 7/1996 Siemon et al. D13/146
5,659,650 A 8/1997 Arnett
D385,853 S * 11/1997 Dow et al. D13/163
RE37,489 E 1/2002 Anton et al.

D465,455 S * 11/2002 Schray D13/123
6,761,585 B2 * 7/2004 Clark et al. 439/540.1
7,066,771 B2 * 6/2006 Clark et al. 439/676
2002/0031955 A1 * 3/2002 Schmidt et al. 439/676
2004/0038594 A1 * 2/2004 Clark et al. 439/676

FOREIGN PATENT DOCUMENTS

AU 611901 6/1991
AU 699808 12/1998
AU 743265 1/2002
AU 2002-0-45809 7/2002
EP 1280363 1/2003
GB 2344468 6/2000
WO WO 03/044902 A1 5/2003

* cited by examiner

Primary Examiner—Daniel Bui
(74) *Attorney, Agent, or Firm*—Merchant & Gould P.C.

(57) **CLAIM**

The ornamental design for a patch panel, as shown and described.

DESCRIPTION

FIG. 1 is a front perspective view of a patch panel in accordance with my invention thereof.

FIG. 2 is a side view thereof;

FIG. 3 is a front view thereof;

FIG. 4 is a end view thereof, on an enlarged scale; and,

FIG. 5 is a rear perspective view thereof.

1 Claim, 5 Drawing Sheets

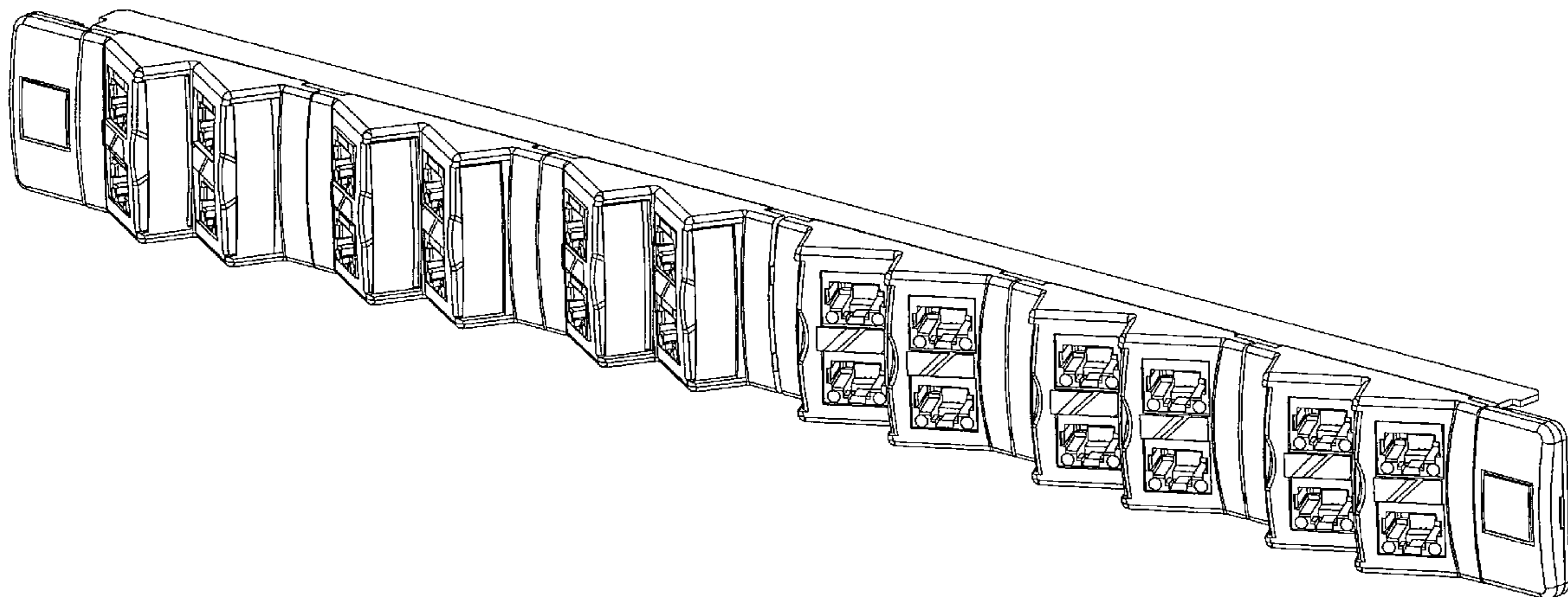
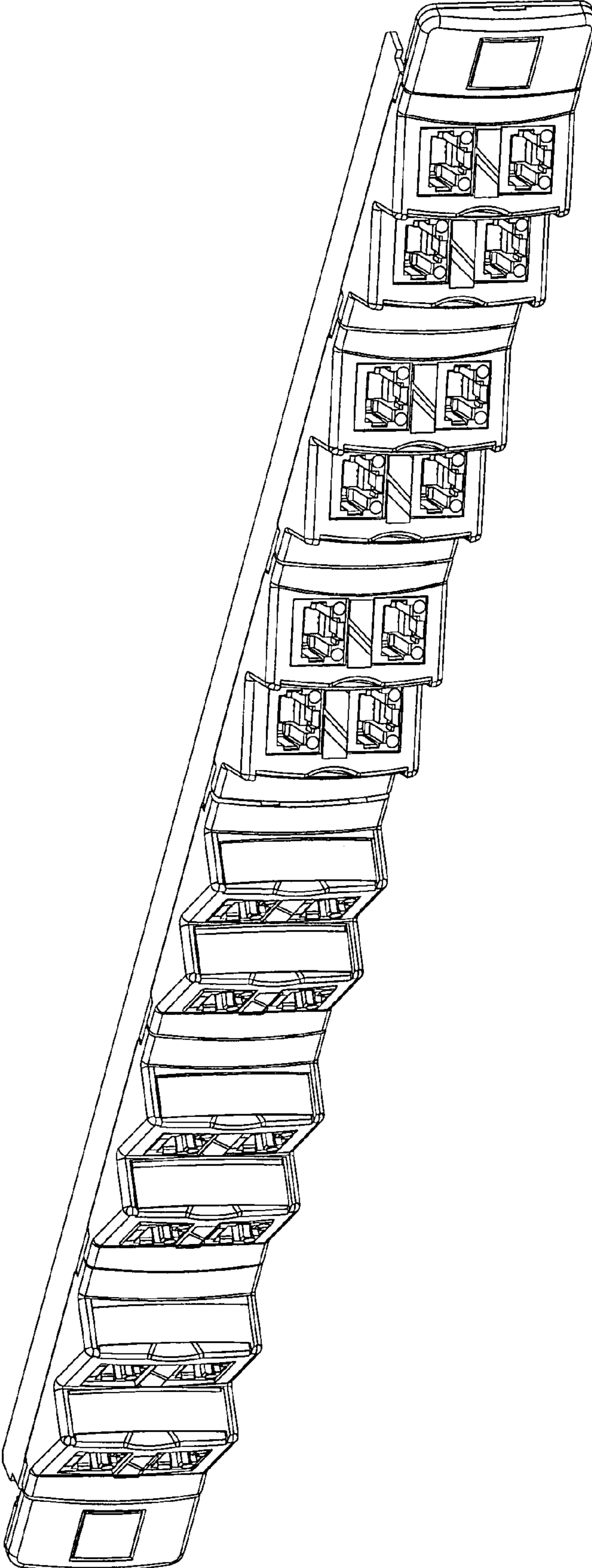


FIG. 1



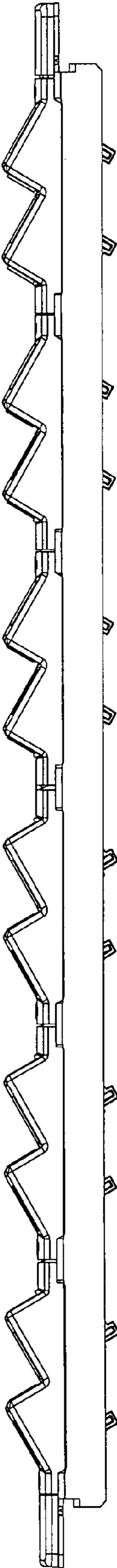


FIG. 2

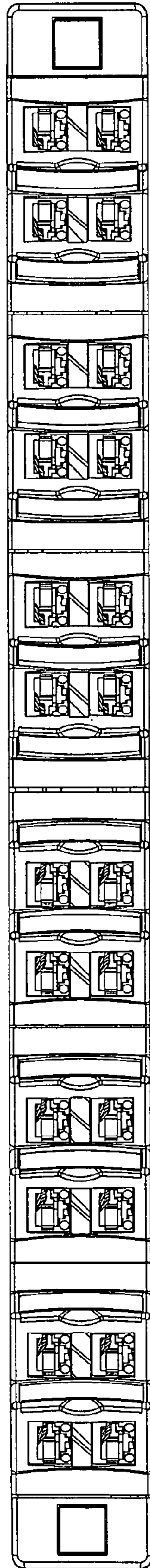


FIG. 3

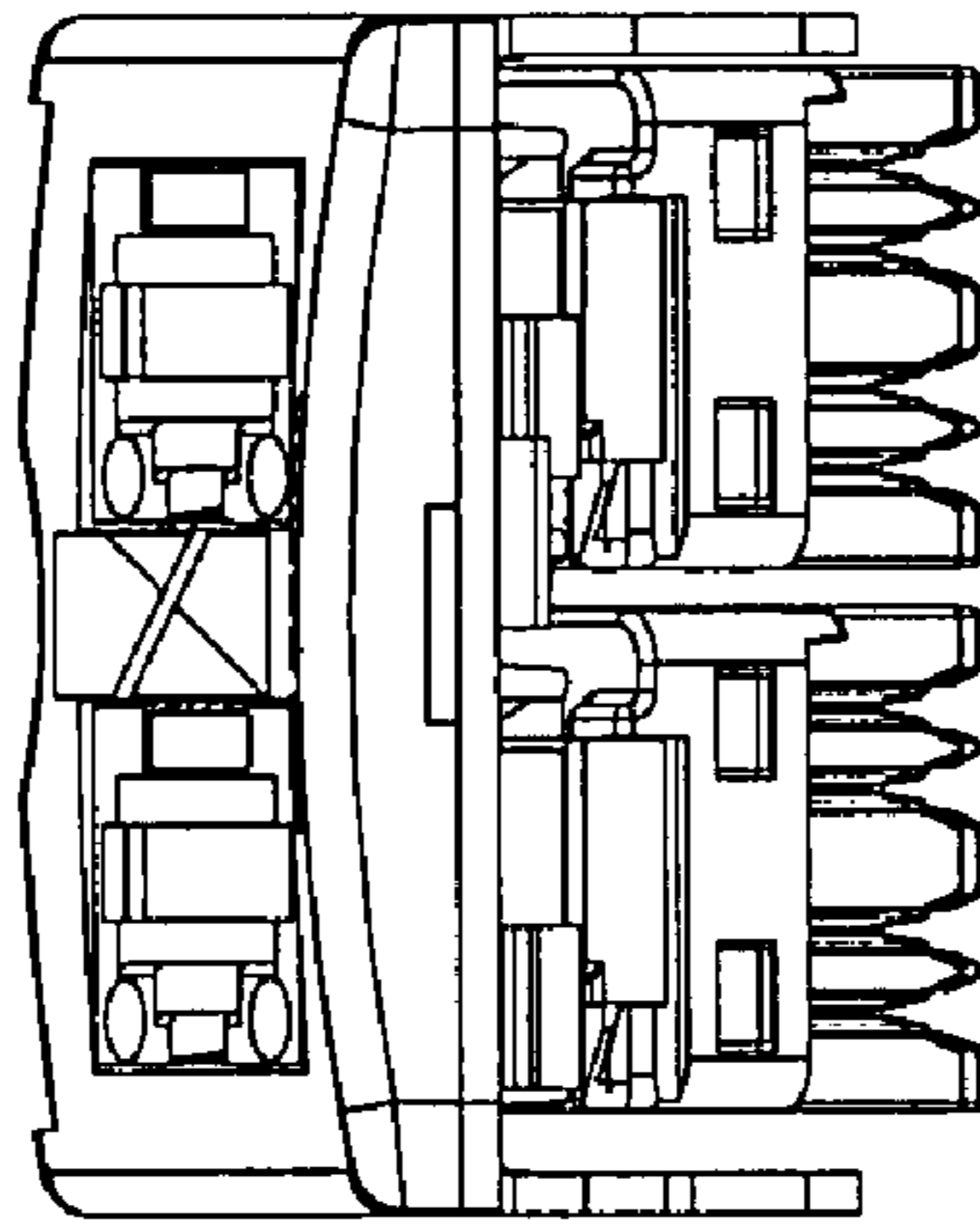


FIG. 4

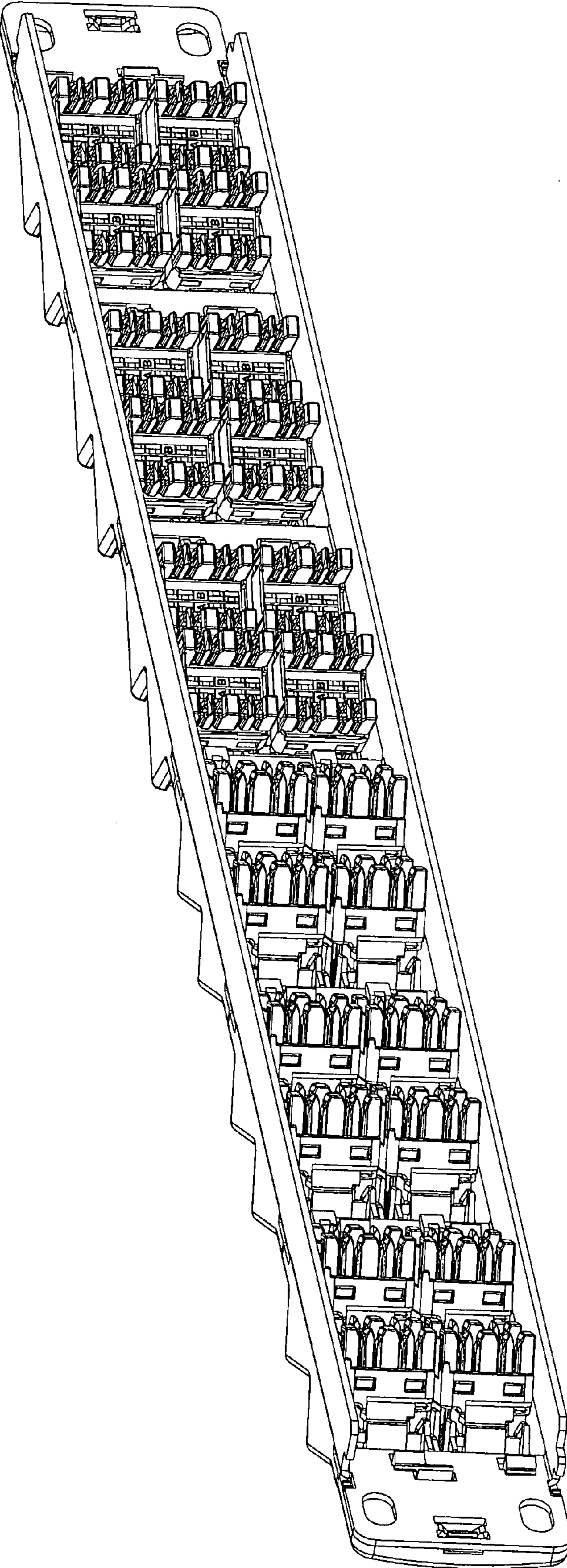


FIG. 5