



US00D545765S

(12) **United States Design Patent**
Cockburn

(10) **Patent No.:** **US D545,765 S**

(45) **Date of Patent:** **** Jul. 3, 2007**

(54) **SEALING GASKET ASSEMBLY FOR CABLES**

(75) Inventor: **Kevin Thomas Cockburn**, Jedburgh (GB)

(73) Assignee: **Emtelle (UK) Limited** (GB)

(**) Term: **14 Years**

(21) Appl. No.: **29/212,119**

(22) Filed: **Aug. 26, 2004**

(51) **LOC (8) Cl.** **13-03**

(52) **U.S. Cl.** **D13/147; D13/151; D13/152**

(58) **Field of Classification Search** D13/133,
D13/146-147, 151-156, 184, 199; D8/354,
D8/356; D14/217; 174/50, 59; 333/100; 439/63,
439/271, 578, 581

See application file for complete search history.

(56) **References Cited**

U.S. PATENT DOCUMENTS

5,756,935 A * 5/1998 Balanovsky et al. 174/549
D401,226 S * 11/1998 Inoko D13/184

D404,712 S * 1/1999 Hsiang D13/147
D409,985 S * 5/1999 Hsiang D13/151
D410,630 S * 6/1999 Kodaira et al. D13/151
5,914,863 A * 6/1999 Shen 361/752
D424,523 S * 5/2000 Hughes D13/147
6,133,939 A * 10/2000 Gresko et al. 725/127
D461,779 S * 8/2002 Hughes D13/152
D492,292 S * 6/2004 Ogren D14/240

* cited by examiner

Primary Examiner—Daniel Bui

(74) *Attorney, Agent, or Firm*—Zilka-Kotab, PC

(57) **CLAIM**

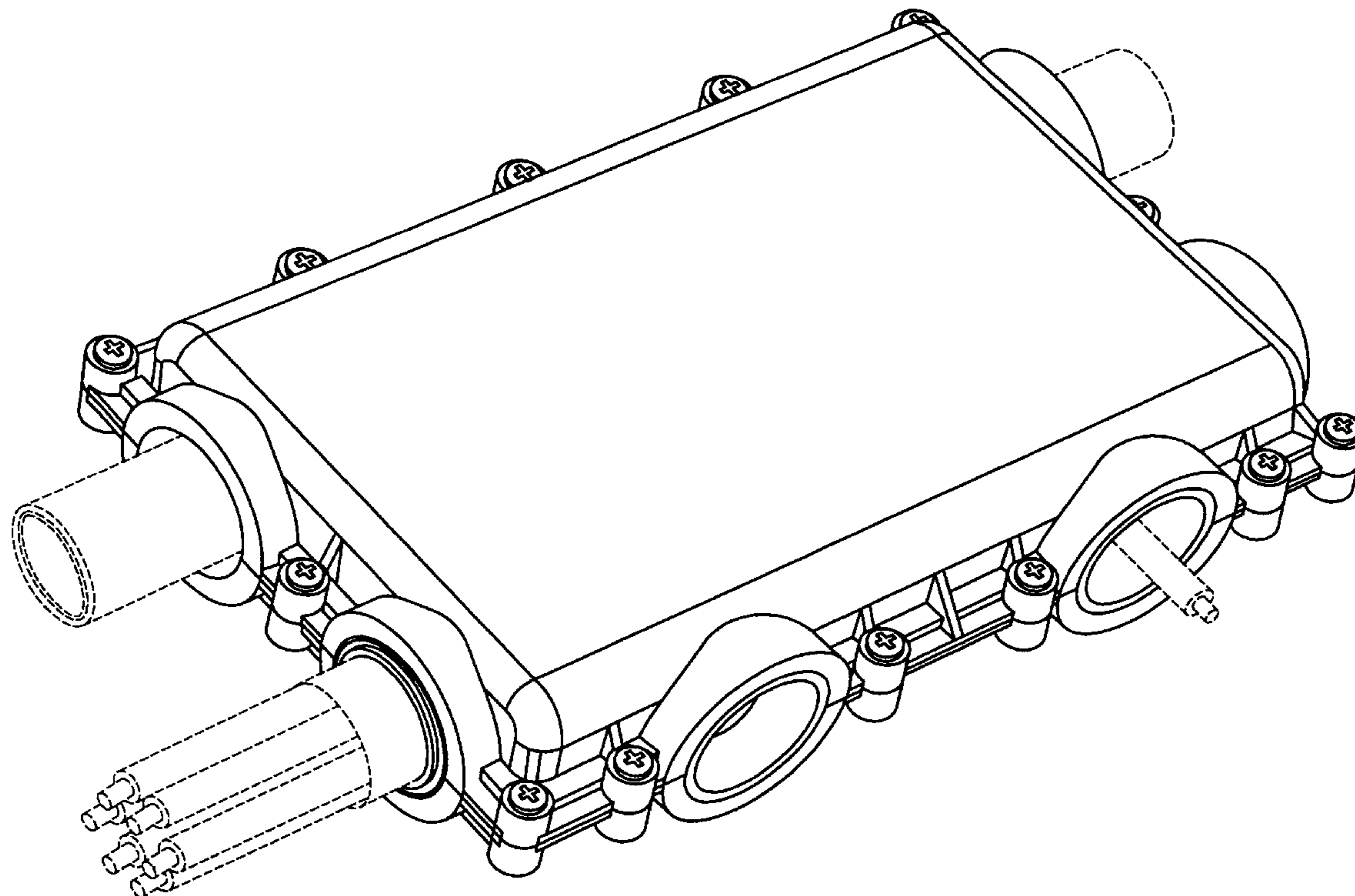
The ornamental design for a sealing gasket assembly for cables, as shown and described.

DESCRIPTION

FIG. 1 is a perspective view of a sealing gasket assembly for cables, in closed condition showing my new design; and, FIG. 2 is a perspective view thereof, in an exploded condition.

The broken line showing of the environment is for illustrative purposes only and forms no part of the claimed design.

1 Claim, 2 Drawing Sheets



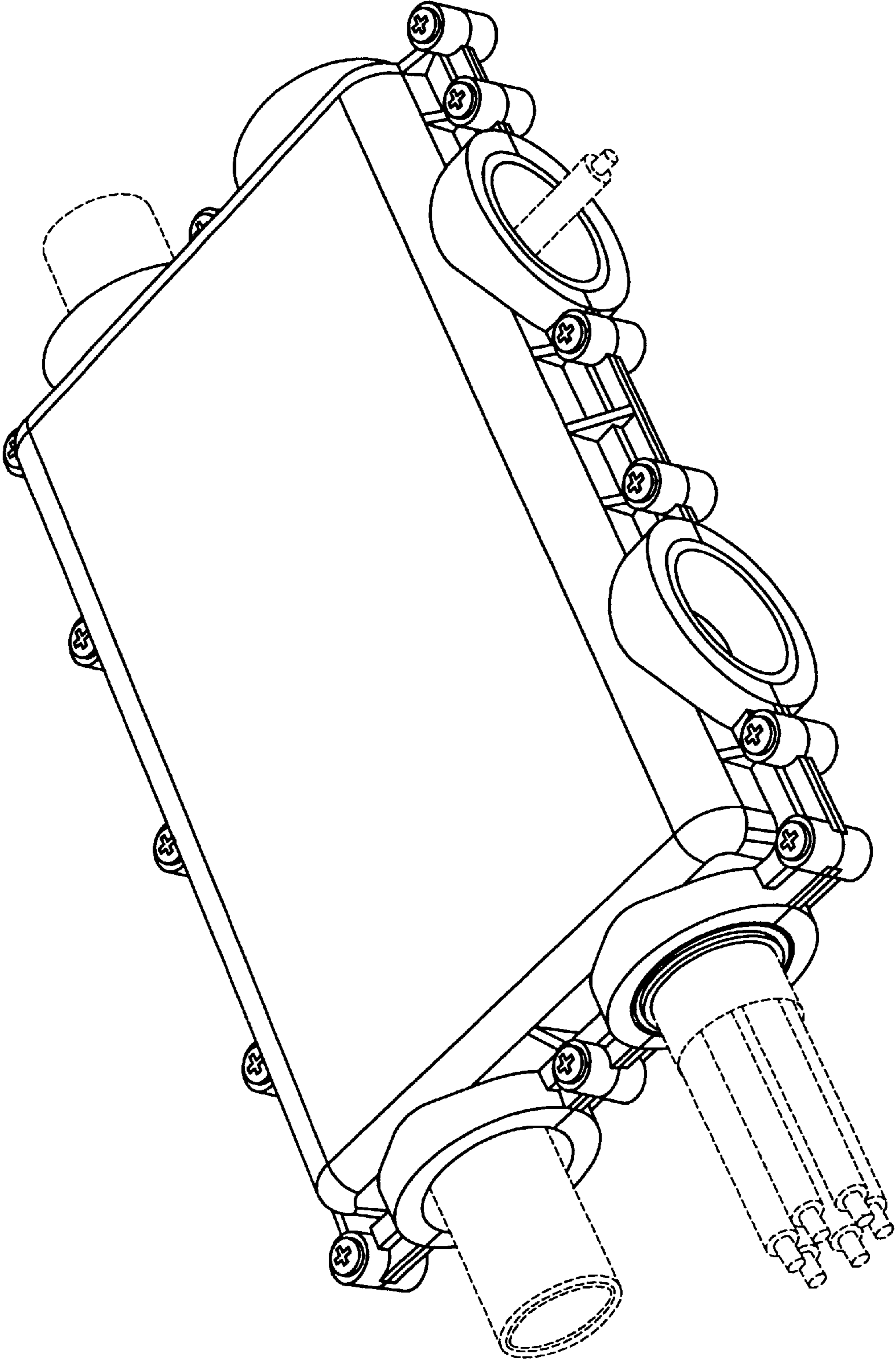


FIG. 1

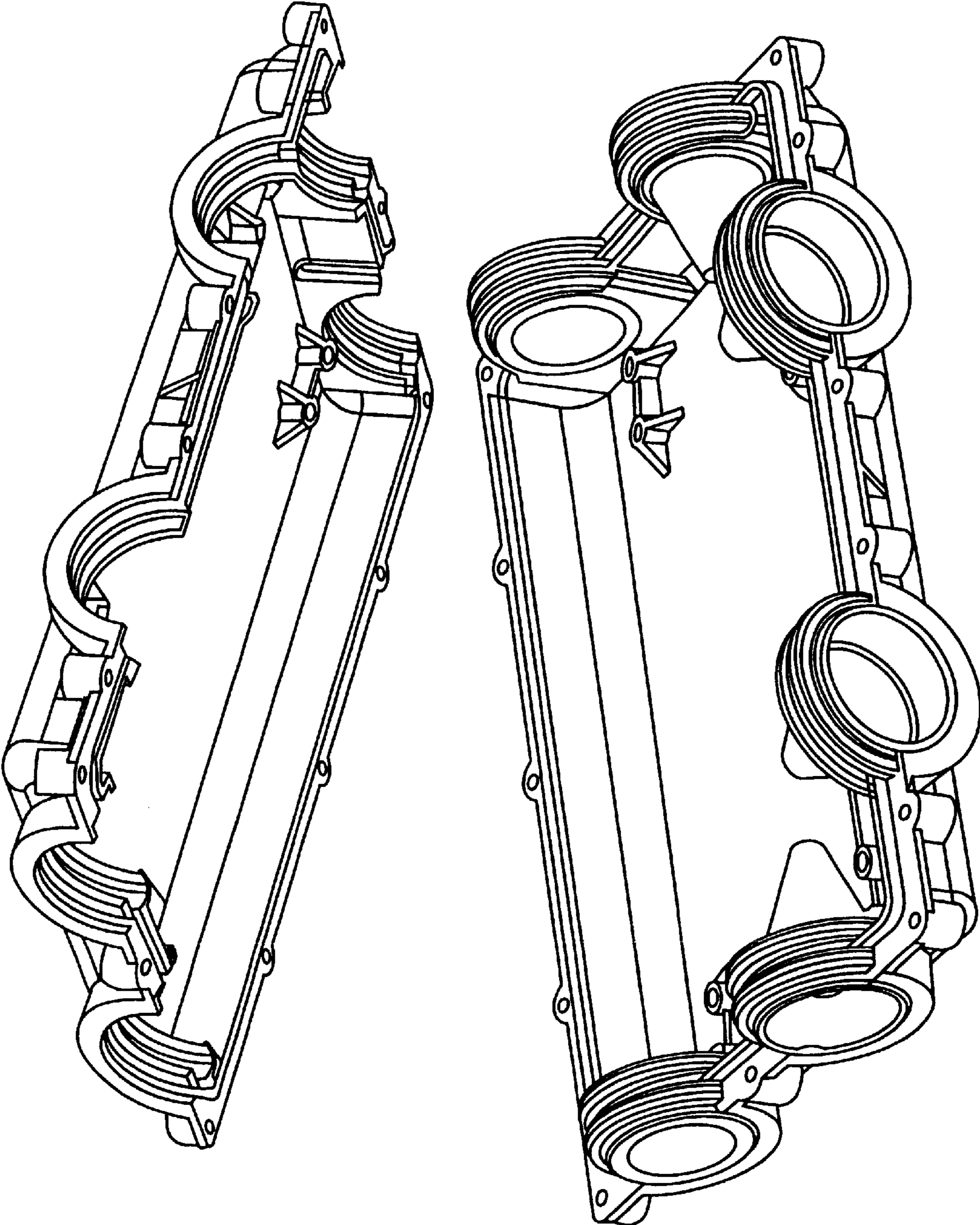


FIG. 2