



US00D545758S

(12) **United States Design Patent** (10) **Patent No.:** **US D545,758 S**  
**Kuan** (45) **Date of Patent:** **\*\* Jul. 3, 2007**

(54) **SOLAR POWERED HOUSE PANEL**

(74) *Attorney, Agent, or Firm*—Dergosits & Noah LLP

(76) **Inventor:** **Edmond Kuan**, 619 San Jose Ave., San Francisco, CA (US) 94110

(57) **CLAIM**

The ornamental design for solar powered house panel, as shown and described.

(\*\*) **Term:** **14 Years**

(21) **Appl. No.:** **29/264,700**

(22) **Filed:** **Aug. 15, 2006**

**DESCRIPTION**

(51) **LOC (8) Cl.** ..... **13-02**

(52) **U.S. Cl.** ..... **D13/102**

(58) **Field of Classification Search** ..... D13/102,  
D13/199; D20/17, 42, 99; D26/72; 136/206,  
136/244; 362/183, 800, 812

See application file for complete search history.

FIG. 1 is a front perspective view of a solar powered house panel showing my new design;

FIG. 2 is a left side view thereof;

FIG. 3 is a right side view thereof;

FIG. 4 is a top plan view thereof;

FIG. 5 is a front view thereof;

FIG. 6 is a bottom plan view thereof; and,

FIG. 7 is a back view thereof.

(56) **References Cited**

**U.S. PATENT DOCUMENTS**

|              |    |   |         |                |       |          |
|--------------|----|---|---------|----------------|-------|----------|
| D244,606     | S  | * | 6/1977  | Riley          | ..... | D13/102  |
| D288,956     | S  | * | 3/1987  | Wadleigh       | ..... | D13/102  |
| D291,926     | S  | * | 9/1987  | Schlepp        | ..... | D26/67   |
| 4,835,664    | A  | * | 5/1989  | Wen            | ..... | 362/183  |
| D320,815     | S  | * | 10/1991 | Frost          | ..... | D20/17   |
| 5,211,470    | A  | * | 5/1993  | Frost et al.   | ..... | 362/183  |
| D465,593     | S  | * | 11/2002 | Chang          | ..... | D26/72   |
| D479,191     | S  | * | 9/2003  | Peress et al.  | ..... | D13/102  |
| 2004/0128923 | A1 | * | 7/2004  | Moulder et al. | ..... | 52/173.1 |

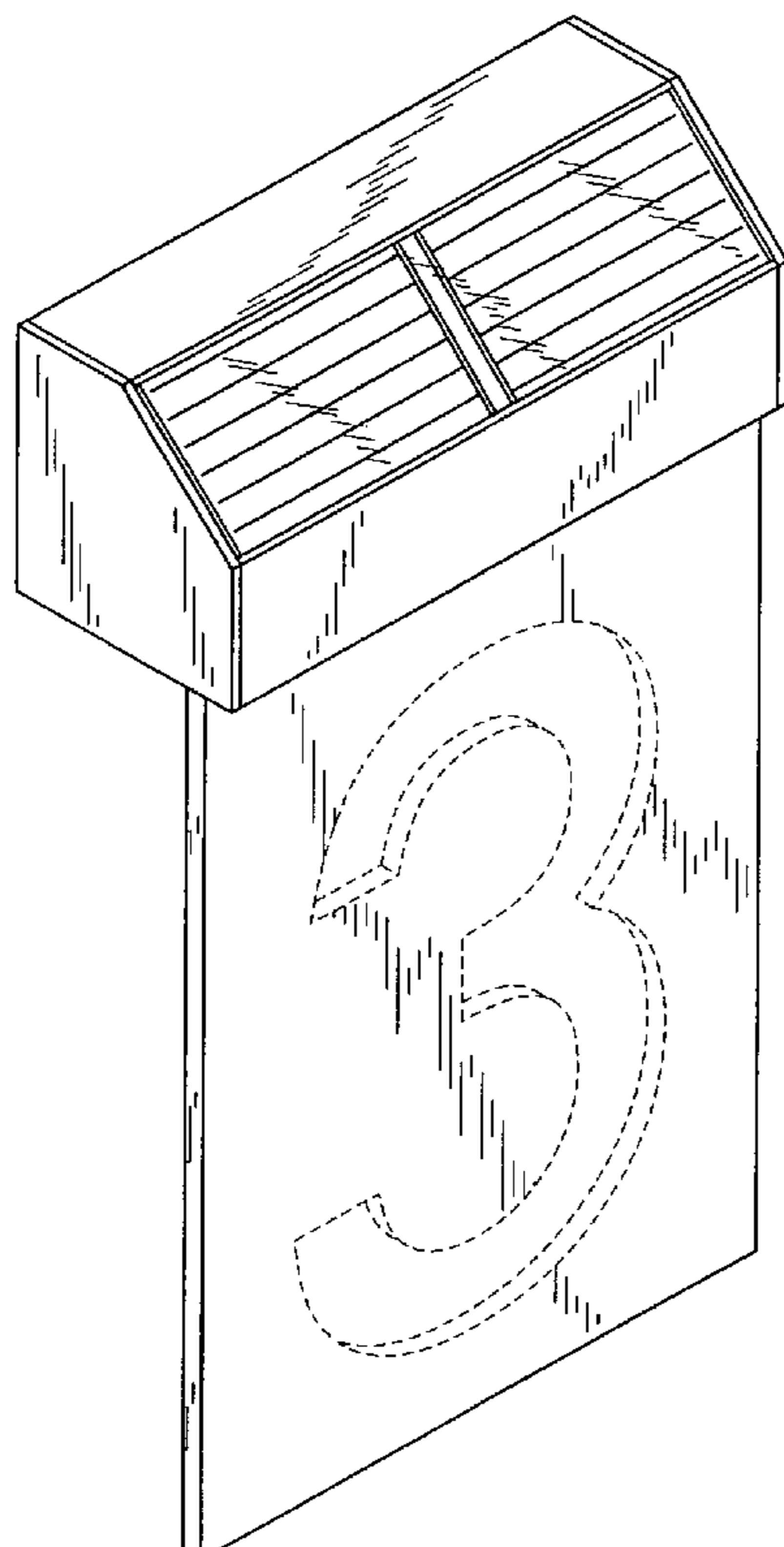
This design is not limited to the exact details shown in the drawings, since equivalents and colorable imitations thereof will be evident to a person of ordinary skill in the art. Thus, within the scope of the appended claim, which is intended to cover only the ornamental and novel elements shown in the drawings, the invention may be practiced otherwise than as specifically shown and described herein.

The broken lines shown are for illustrative purposes and form no part of the claimed design.

\* cited by examiner

*Primary Examiner*—Prabhakar Deshmukh  
*Assistant Examiner*—Derrick Holland

**1 Claim, 4 Drawing Sheets**



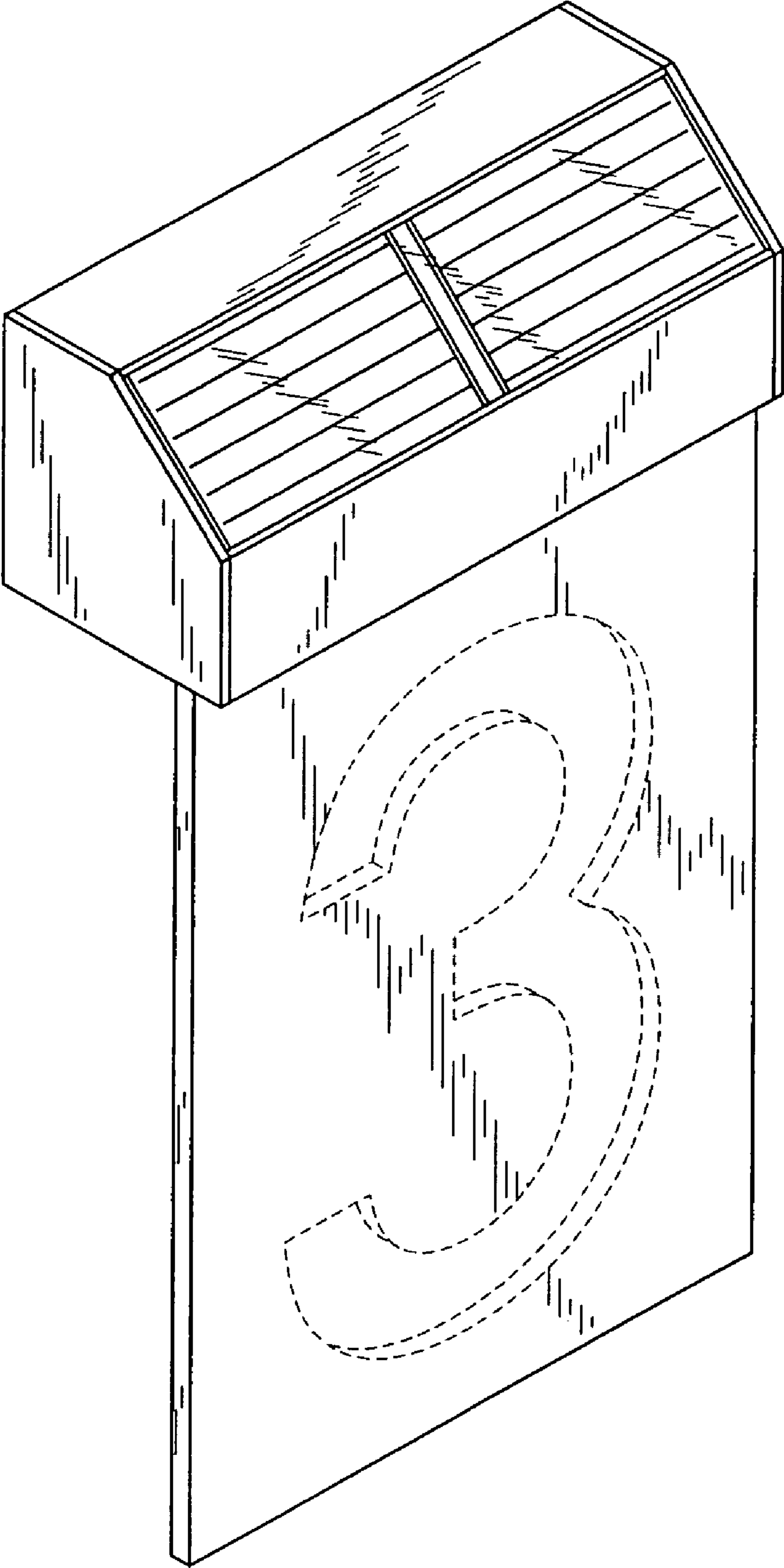
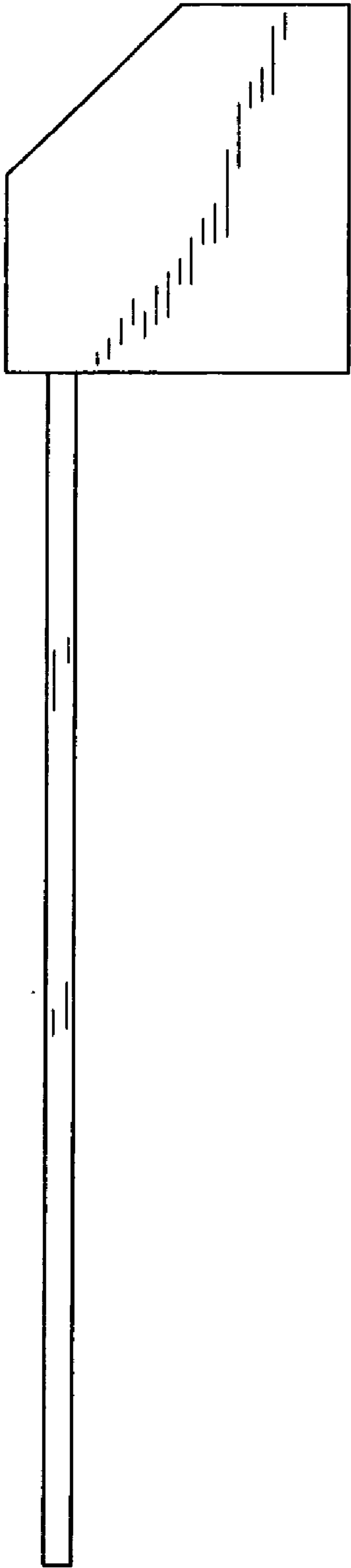
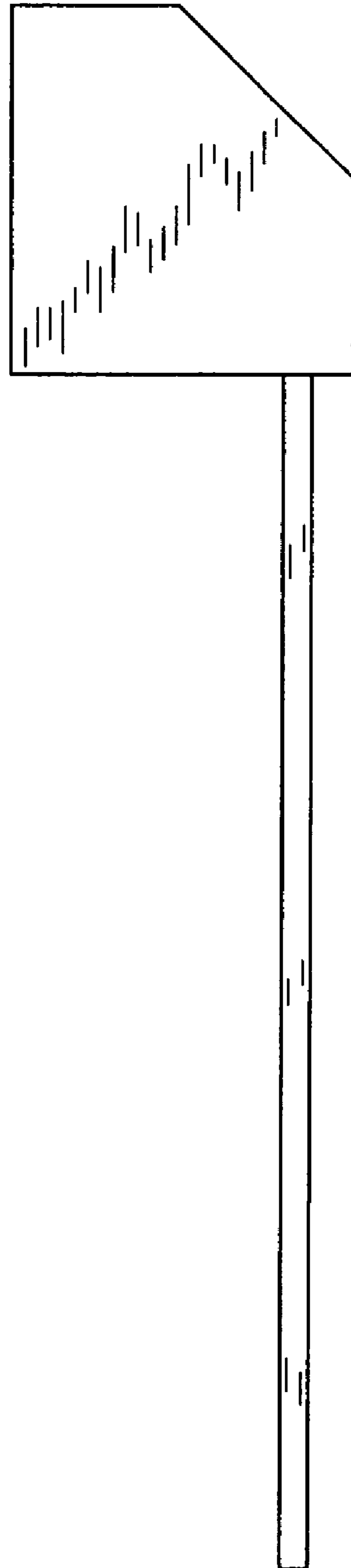


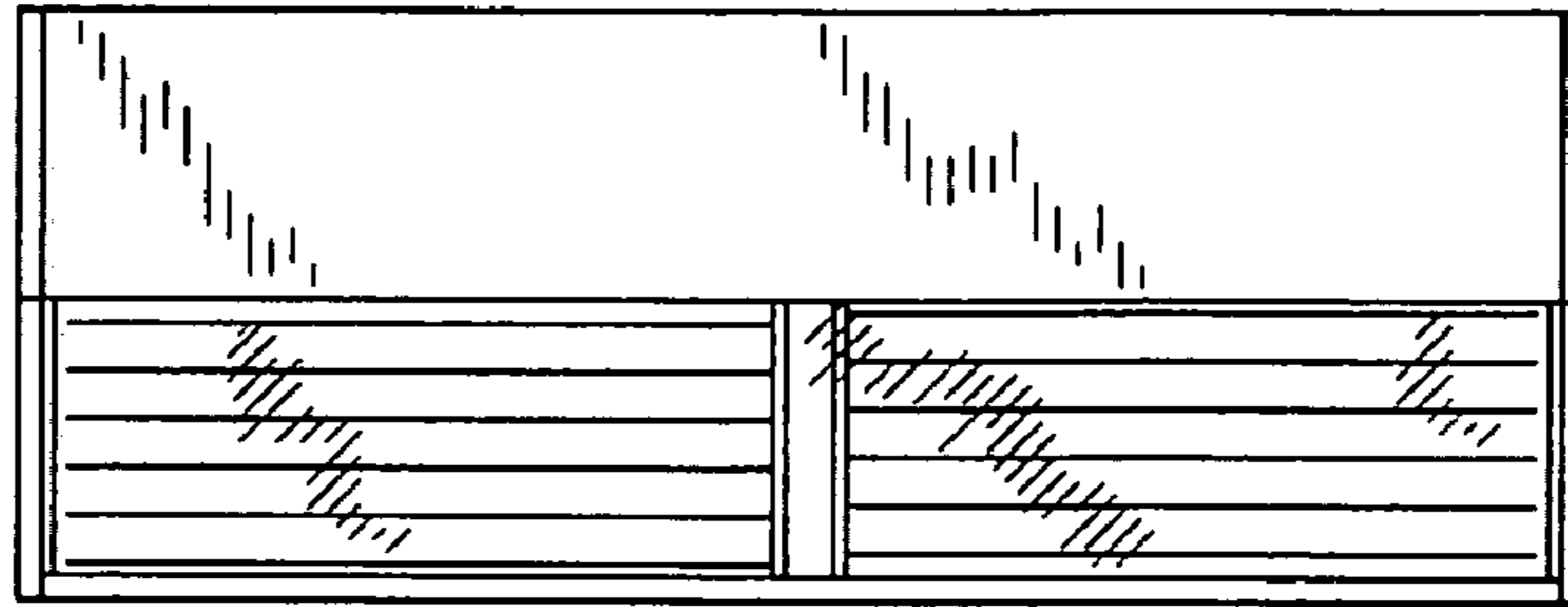
FIG. 1



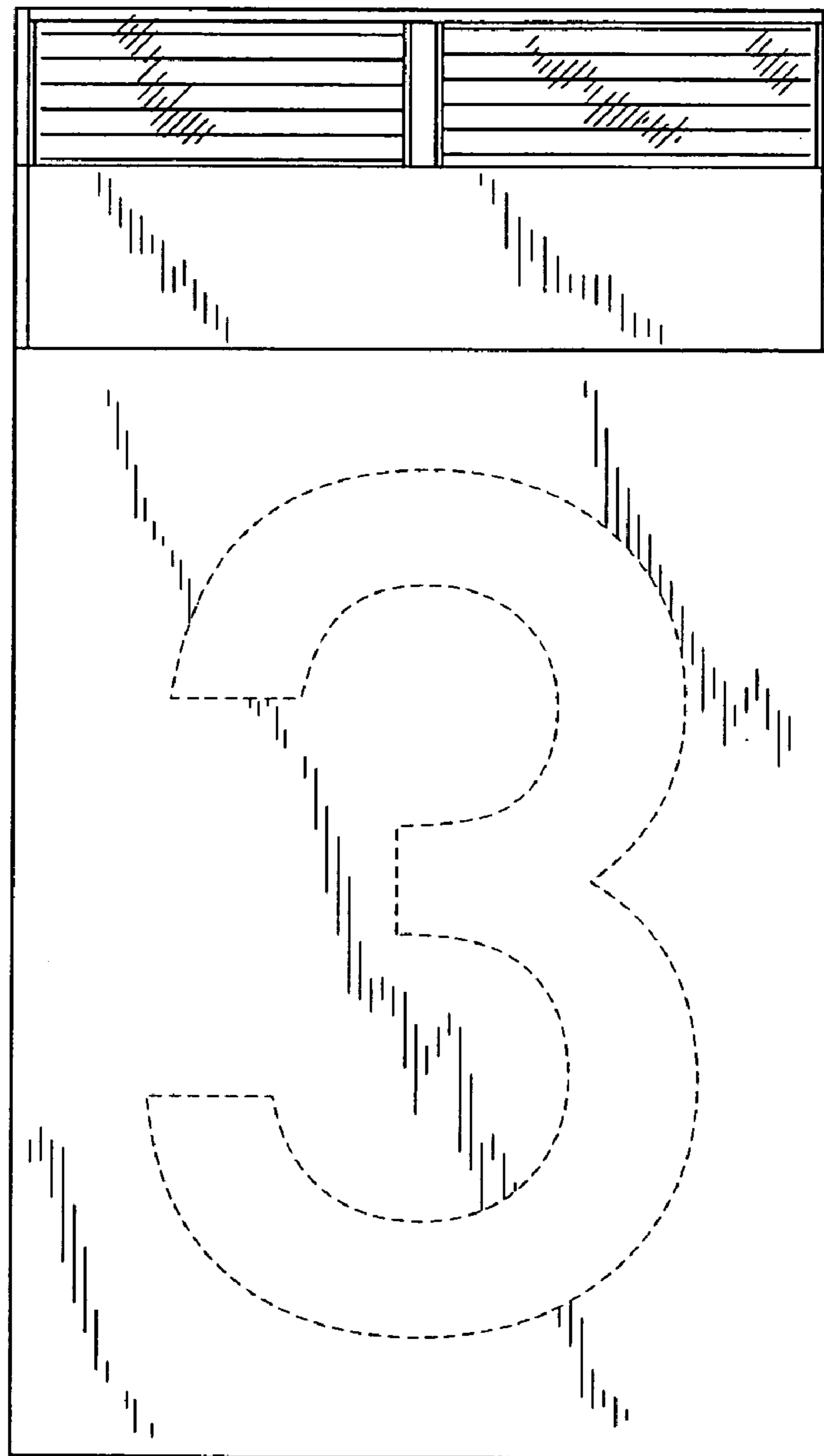
**FIG. 2**



**FIG. 3**



**FIG. 4**



**FIG. 5**

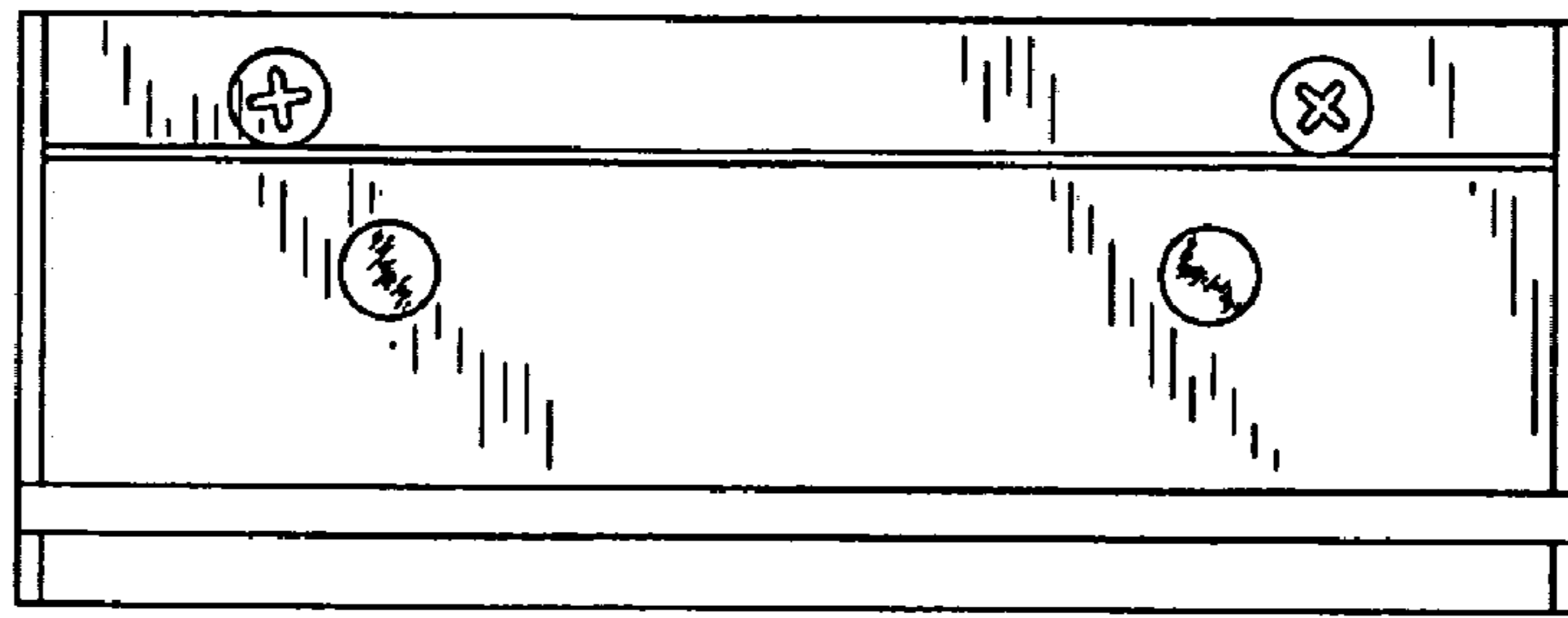


FIG. 6

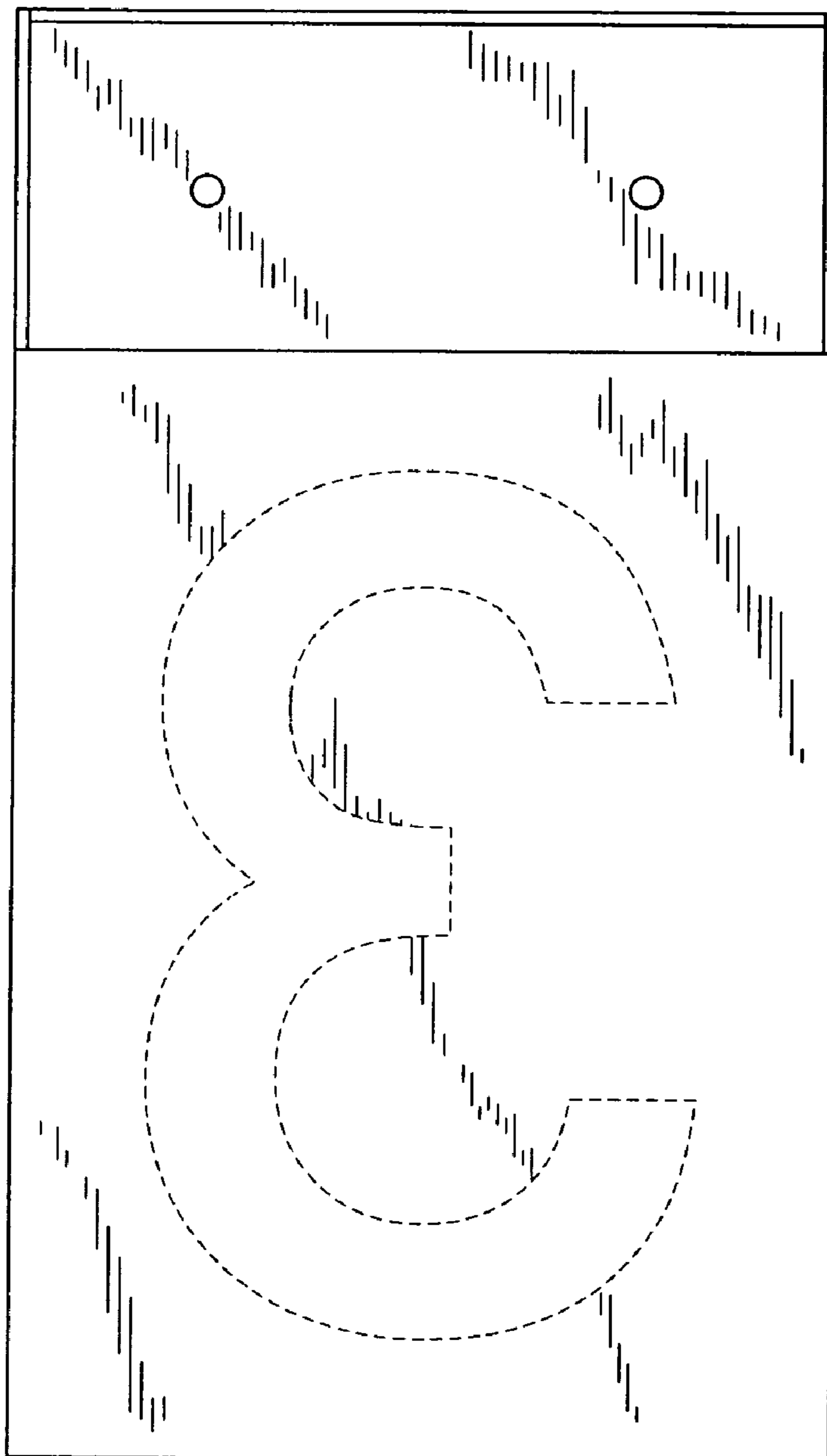


FIG. 7