



US00D545756S

(12) **United States Design Patent**  
**Feider et al.**

(10) **Patent No.:** **US D545,756 S**  
(45) **Date of Patent:** **\*\* Jul. 3, 2007**

(54) **TIRE TREAD**

D504,865 S \* 5/2005 Maziarka et al. .... D12/521

(75) Inventors: **Georges Gaston Feider**, Bettborn (LU); **Jean-Francois Cazin-Bourguignon**, Audun-le-Tiche (FR); **Pascal Patrick Steiner**, Diekirch (LU); **Jobst Meyer-Adlung**, Ingeldorf (LU); **Marek Grzegorz Wojcik**, Bissen (LU); **Phuoc Thuan Le**, Attert (BE)

\* cited by examiner

*Primary Examiner*—Robert M. Spear  
(74) *Attorney, Agent, or Firm*—Richard B. O’Planick

(73) Assignee: **The Goodyear Tire & Rubber Company**, Akron, OH (US)

(57) **CLAIM**

The ornamental design for a tire tread, as shown and described.

(\*\*) Term: **14 Years**

**DESCRIPTION**

(21) Appl. No.: **29/244,620**

FIG. 1 is a perspective view of a tire tread showing our new design, it being understood that the pattern repeats uniformly throughout the circumference of the tread;

(22) Filed: **Dec. 12, 2005**

FIG. 2 is a front elevational view thereof;

(51) **LOC (8) Cl.** ..... **12-15**

FIG. 3 is a right side elevational view thereof;

(52) **U.S. Cl.** ..... **D12/521**

FIG. 4 is a left side elevational view thereof; and,

(58) **Field of Classification Search** ..... D12/505, D12/507, 508, 512, 514, 515, 516, 517, 518, D12/519, 521, 522, 523, 524, 526, 527, 528, D12/529, 530, 531, 532; 152/509.1, 209.8, 152/455

FIG. 5 is an enlarged fragmentary front elevational view thereof.

See application file for complete search history.

In the drawings, the broken lines defining the sidewall, inner bead and the peripheral boundary between the tire tread and the sidewall are for illustrative purposes only and form no part of the claimed design.

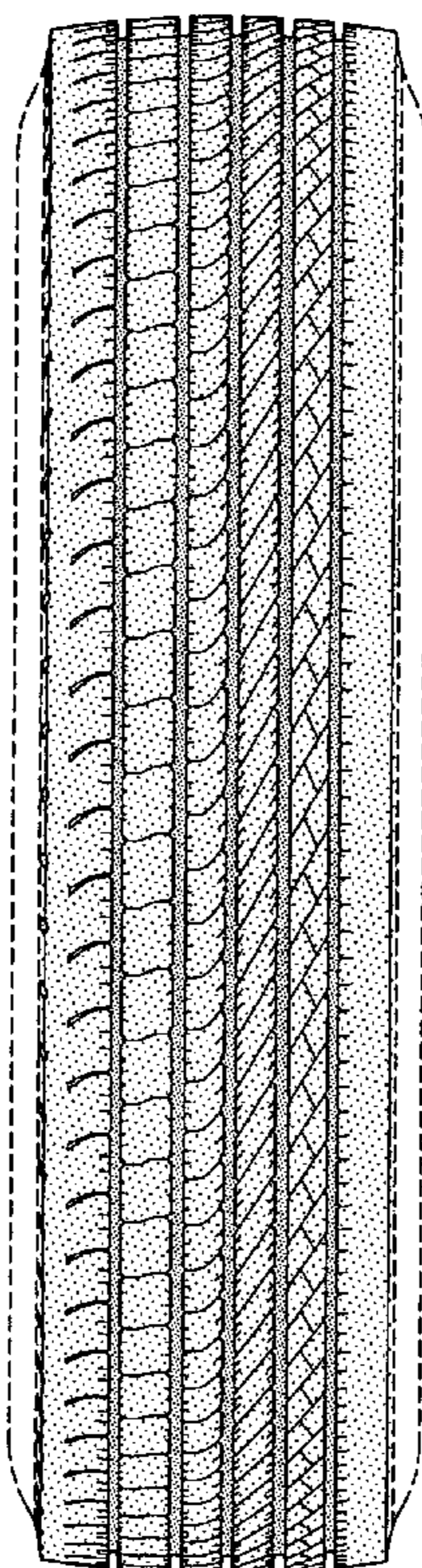
(56) **References Cited**

The dark stippled surface shading represents the recessed portion of the tread grooves having a depth as best shown in FIG. 2.

**U.S. PATENT DOCUMENTS**

D338,435 S \* 8/1993 Yamashita ..... D12/521  
D502,441 S \* 3/2005 Lo ..... D12/521

**1 Claim, 5 Drawing Sheets**



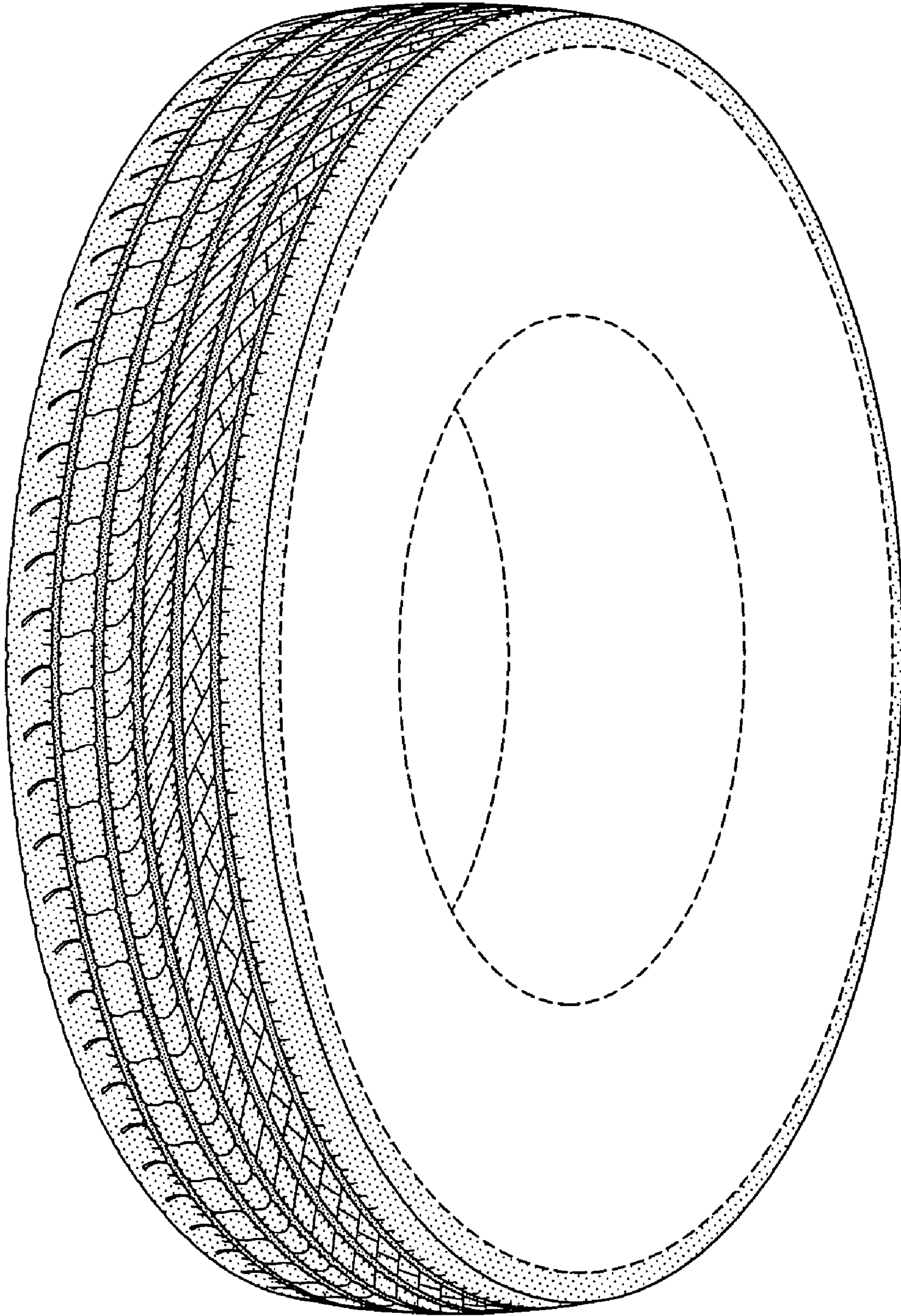


FIG-1

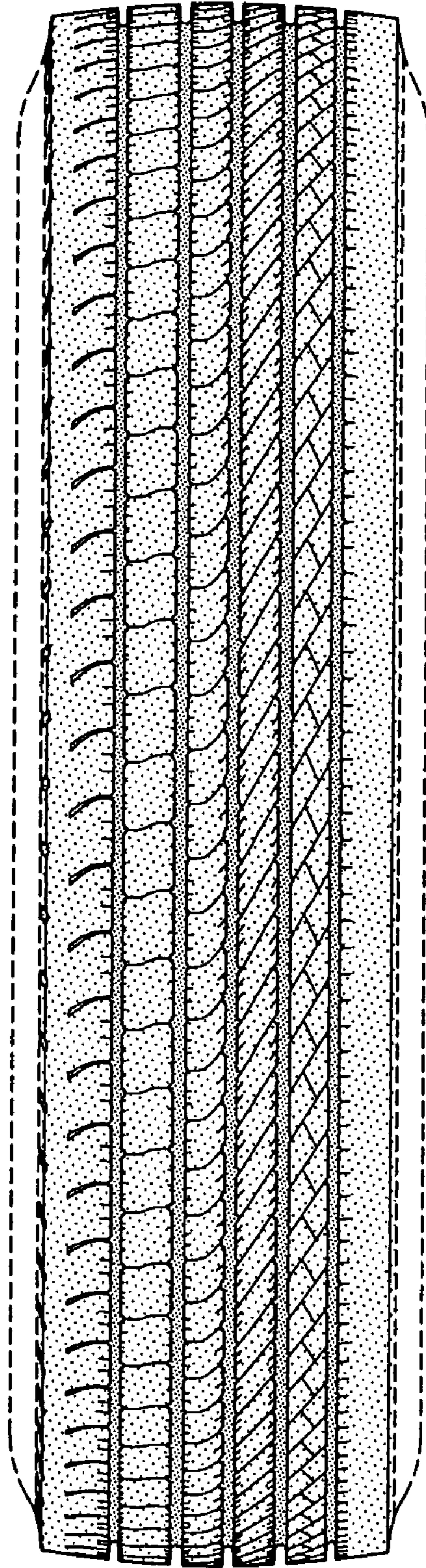


FIG-2

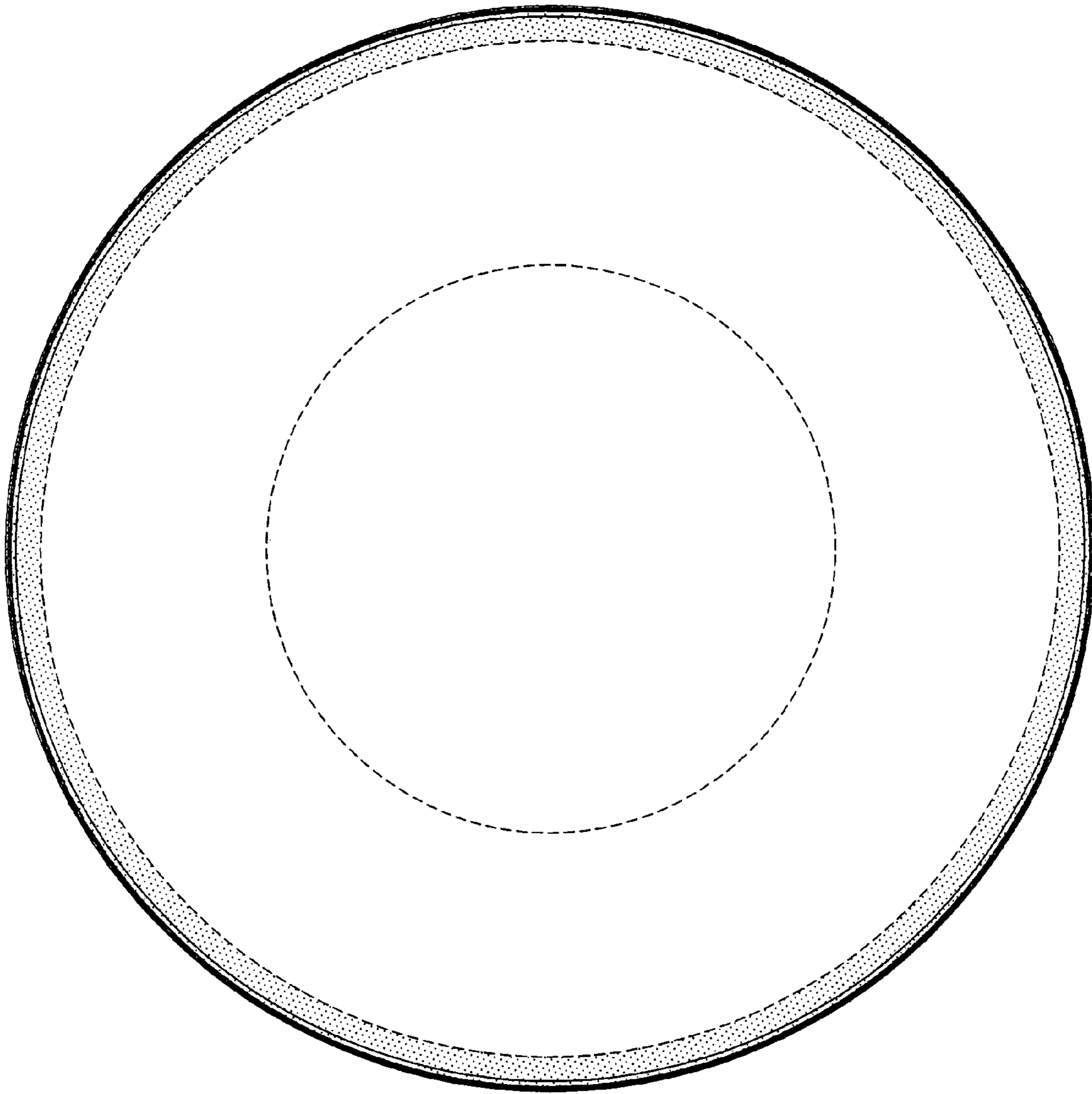


FIG-3

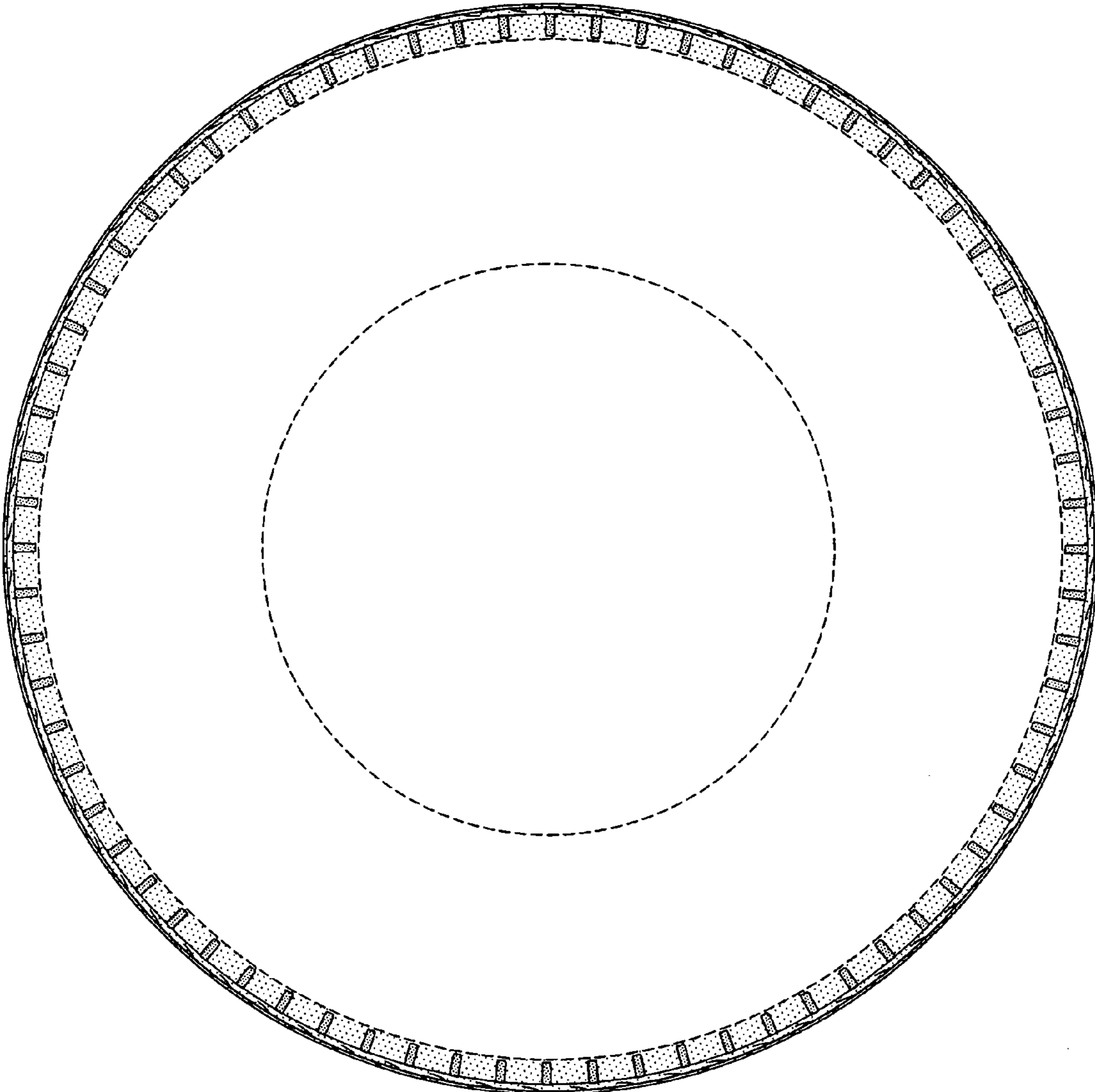


FIG-4

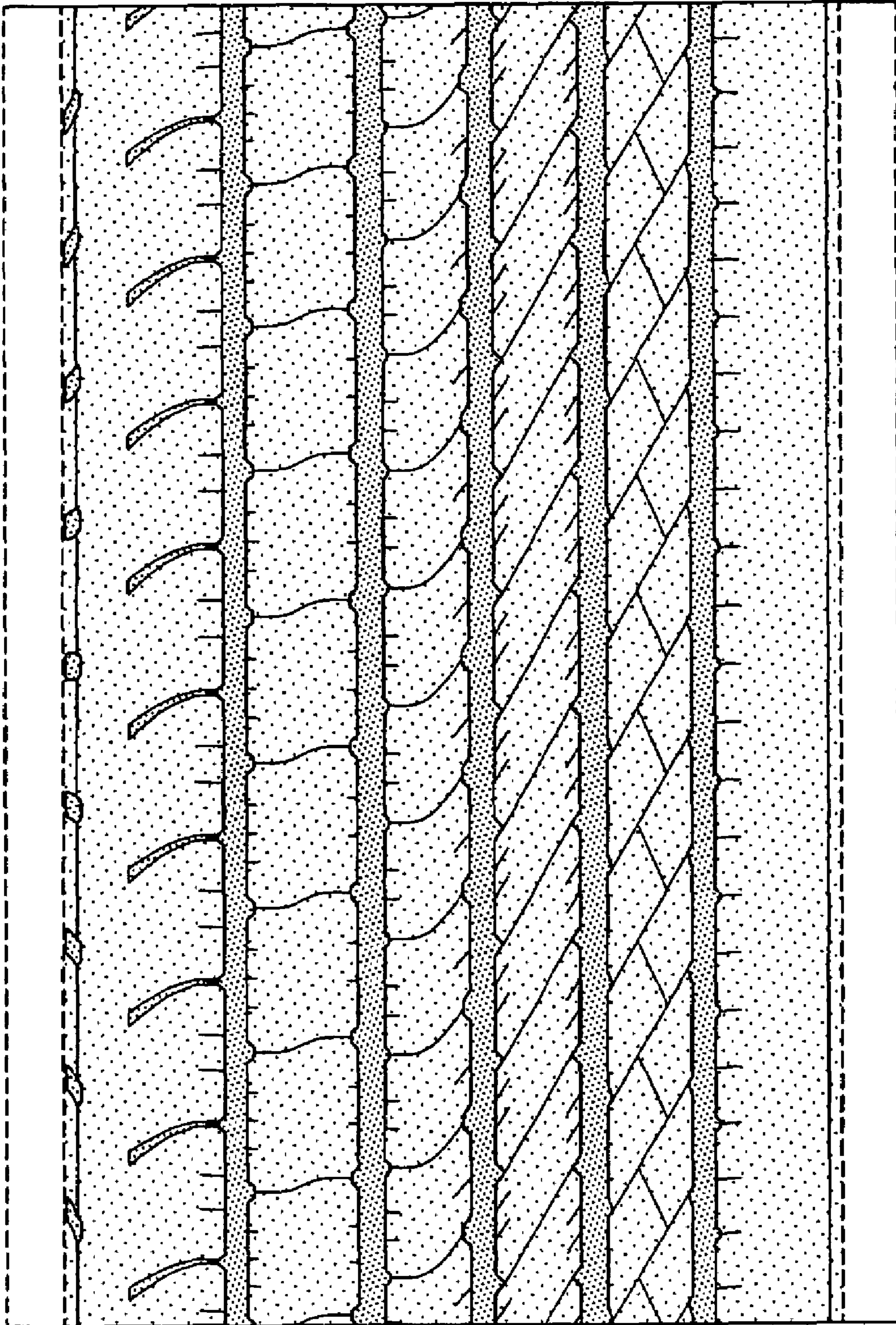


FIG-5