

US00D545755S

(12) **United States Design Patent**
Van de Rostyne et al.

(10) **Patent No.:** **US D545,755 S**
(45) **Date of Patent:** **** Jul. 3, 2007**

(54) **HELICOPTER**

(75) Inventors: **Alexander Jozef Magdalena Van de Rostyne**, Bornem (BE); **Chi Pok Billy Wai**, Quarry Bay (HK)

(73) Assignee: **Silverlit Toys Manufactory, Ltd.**, Hong Kong (HK)

(**) Term: **14 Years**

(21) Appl. No.: **29/275,324**

(22) Filed: **Dec. 20, 2006**

5,240,204 A	8/1993	Kunz	
D357,894 S	5/1995	Arnold et al.	
5,609,312 A	3/1997	Arlton et al.	
D388,048 S	12/1997	Collins et al.	
5,879,131 A	3/1999	Arlton et al.	
D421,279 S *	2/2000	Tsai	D21/442
6,039,541 A	3/2000	Parker et al.	
D425,853 S *	5/2000	Caporaletti	D12/327
D431,609 S *	10/2000	Wei	D21/442
D453,031 S *	1/2002	Tse	D21/442
D467,861 S	12/2002	Lee	
6,659,721 B1	12/2003	Parker et al.	
6,884,034 B1	4/2005	Parker et al.	
6,929,215 B2	8/2005	Arlton et al.	
D524,229 S *	7/2006	Stille et al.	D12/327
2006/0231677 A1	10/2006	Zimet et al.	

Related U.S. Application Data

(63) Continuation-in-part of application No. 11/462,177, filed on Aug. 3, 2006, and a continuation-in-part of application No. 11/465,781, filed on Aug. 18, 2006.

(30) **Foreign Application Priority Data**

Jan. 19, 2006 (BE) 2006/0043

(51) **LOC (8) Cl.** **12-07**

(52) **U.S. Cl.** **D12/327; D21/442**

(58) **Field of Classification Search** D12/326-329, D12/345; D21/441-442, 450, 453; 446/36-45, 446/230, 232; 244/17.11, 17.23, 17.25, 12.4, 244/17.19, 17.27

See application file for complete search history.

(56) **References Cited**

U.S. PATENT DOCUMENTS

1,403,909 A	1/1922	Moir	
1,773,281 A	8/1930	Scott	
D163,938 S	7/1951	Douglas	
D171,569 S	3/1954	Apostolescu	
D178,081 S	6/1956	Papadakos	
D294,605 S *	3/1988	Matsumoto	D21/583

FOREIGN PATENT DOCUMENTS

JP	2005193905 A	7/2005
JP	2004121798 A	12/2006

* cited by examiner

Primary Examiner—Ian Simmons

Assistant Examiner—Maurice Stevens

(74) *Attorney, Agent, or Firm*—Greenberg Traurig, LLP

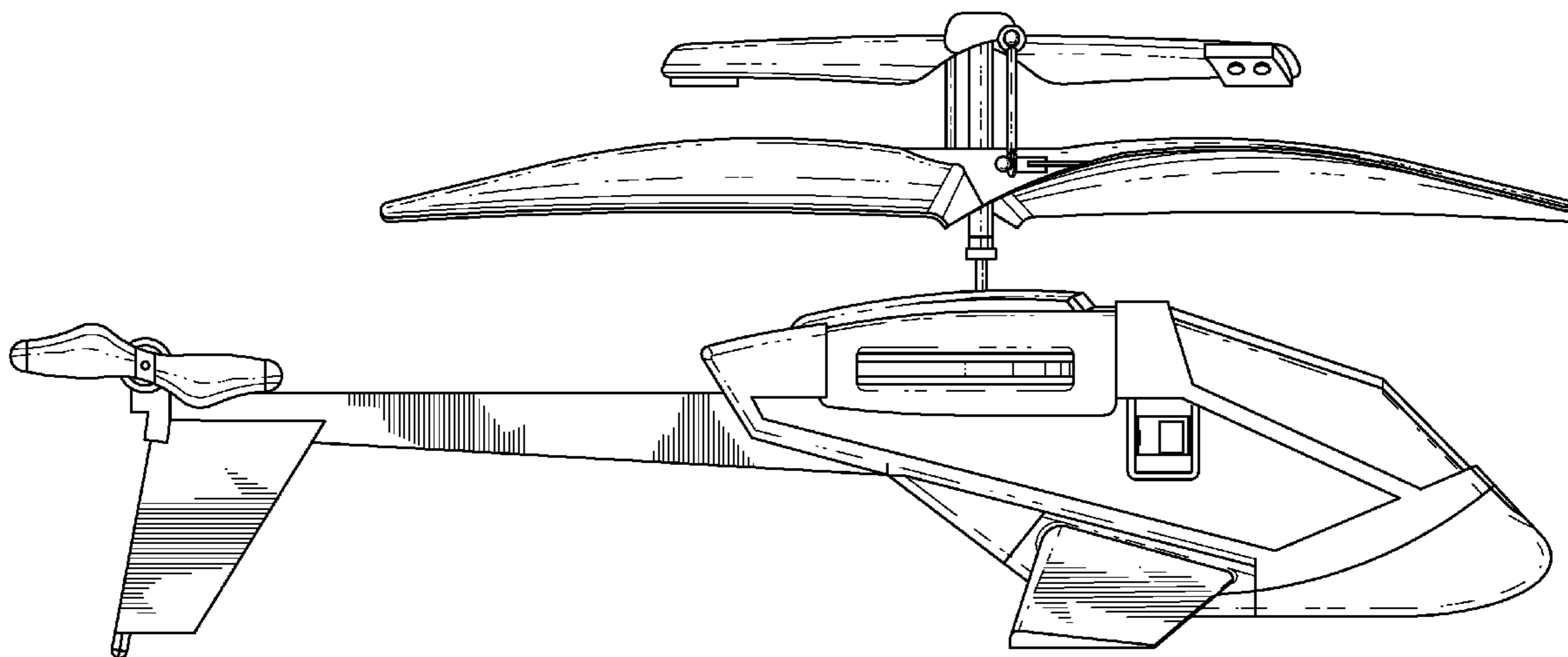
(57) **CLAIM**

The ornamental design for a helicopter, as shown and described.

DESCRIPTION

FIG. 1 is a top view of a helicopter;
FIG. 2 is a bottom view of the helicopter;
FIG. 3 is a front view of the helicopter;
FIG. 4 is a rear view of the helicopter;
FIG. 5 is a side view of the helicopter; and,
FIG. 6 is an opposite side view of the helicopter.

1 Claim, 4 Drawing Sheets



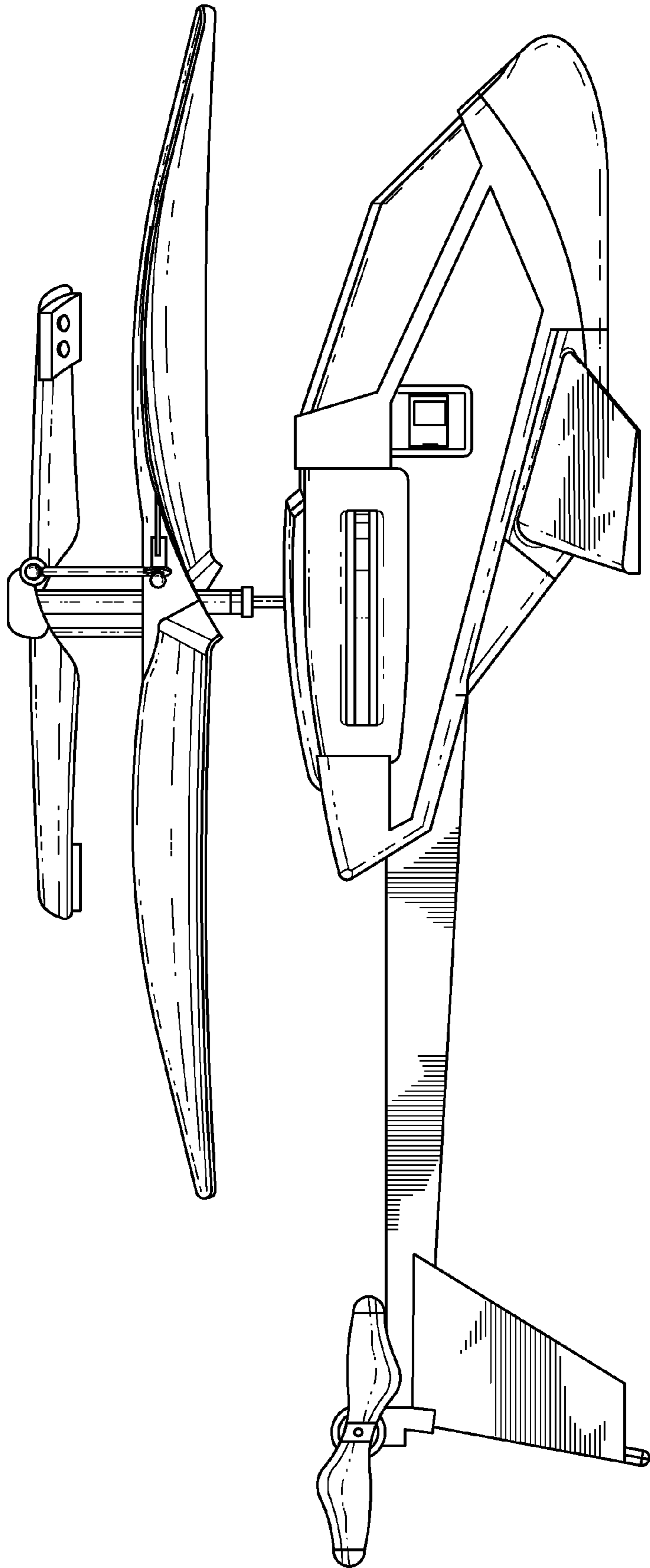


FIG. 1

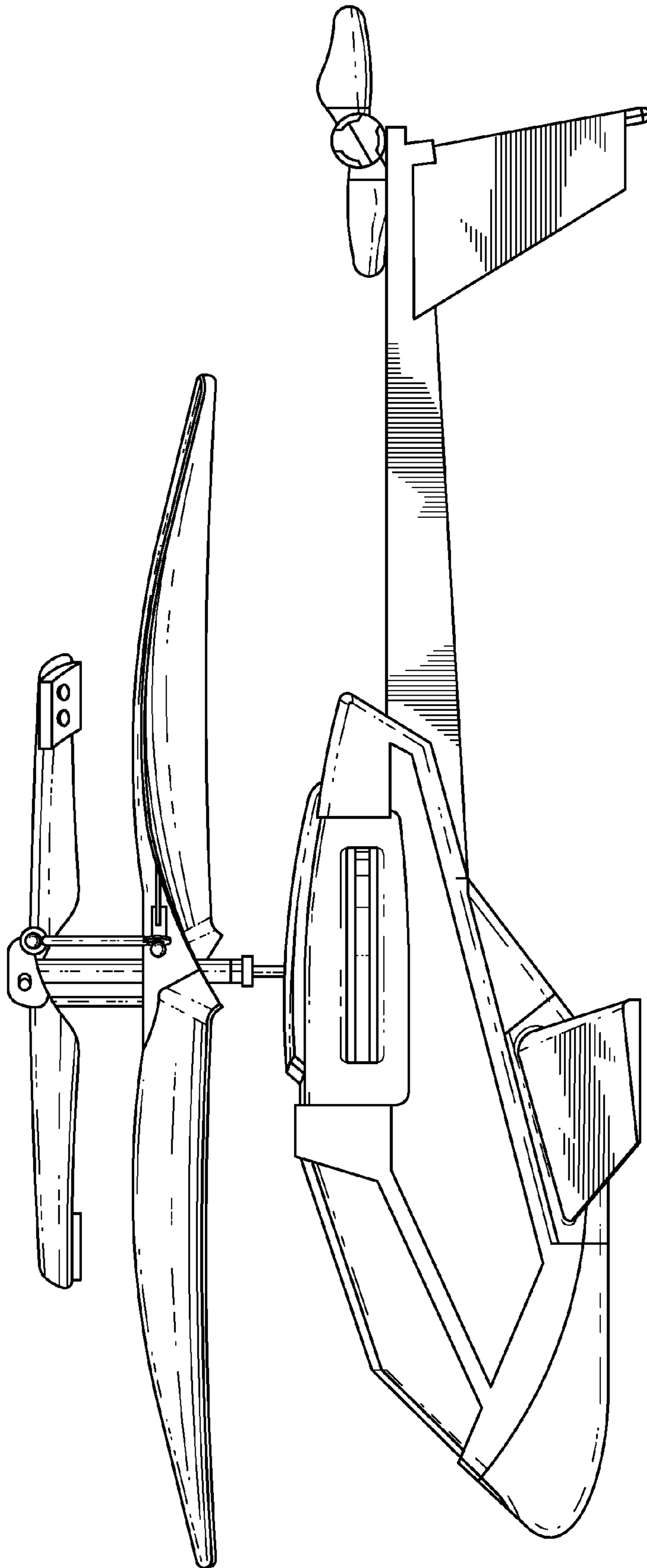
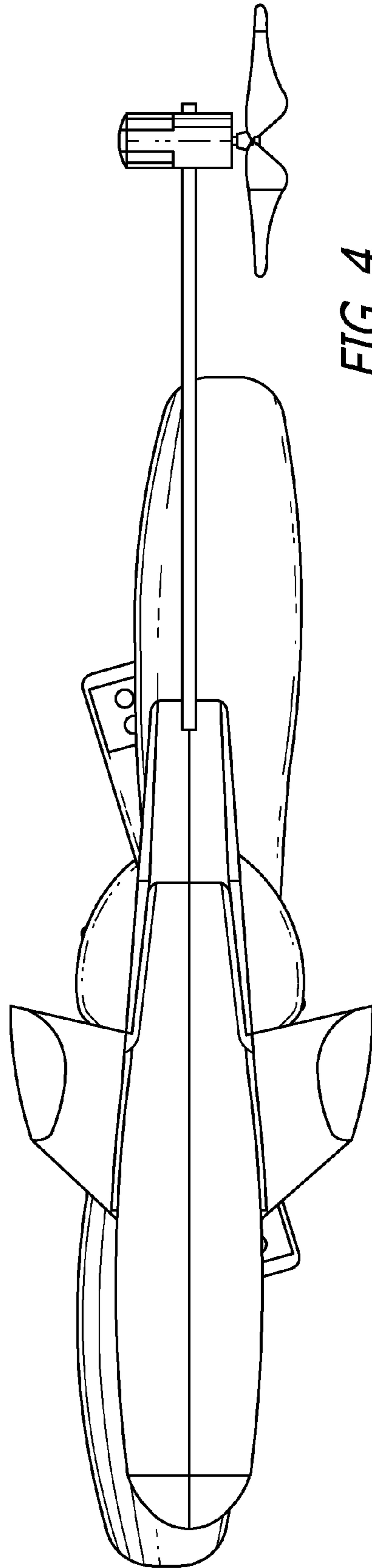
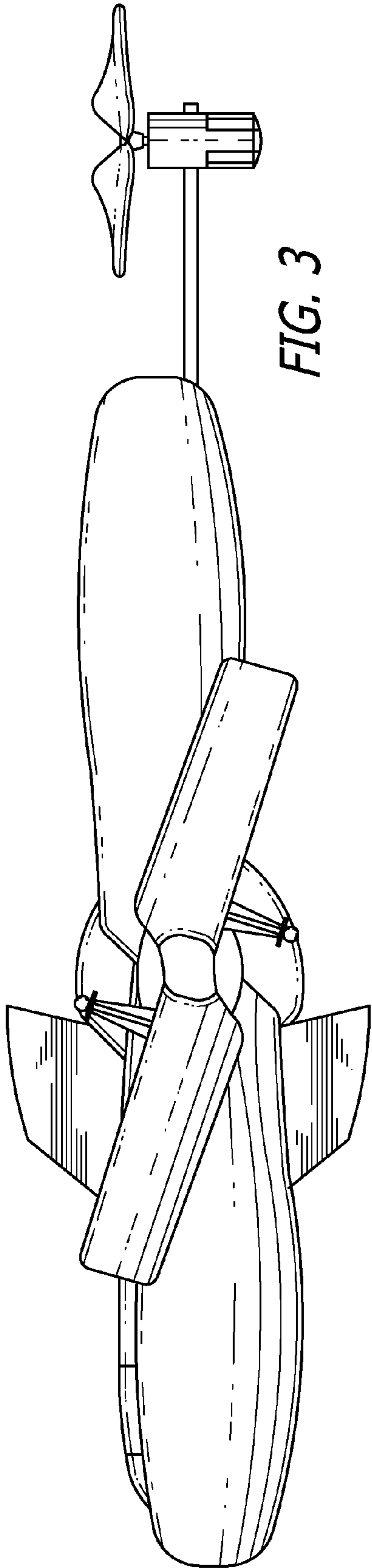


FIG. 2



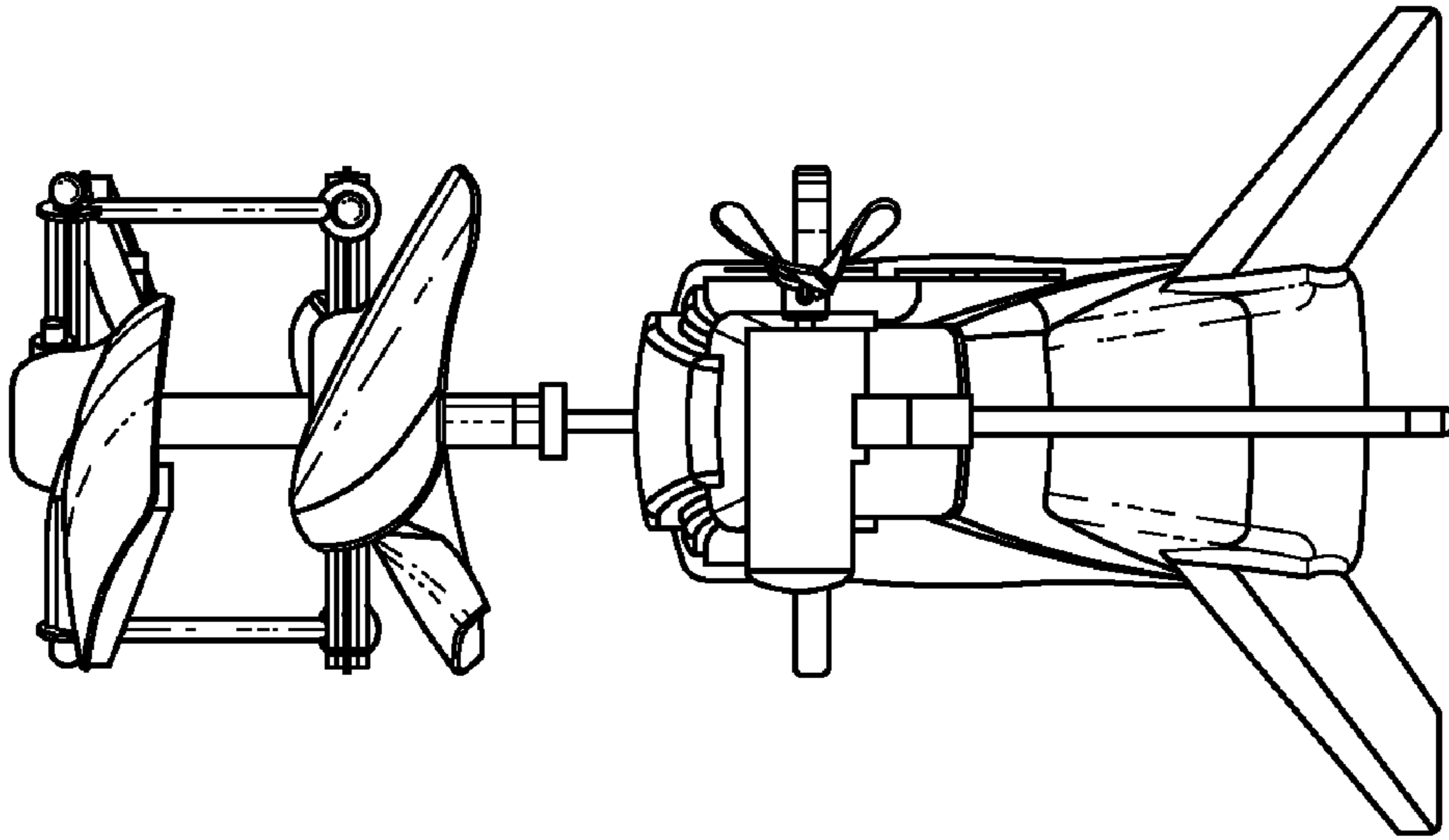


FIG. 6

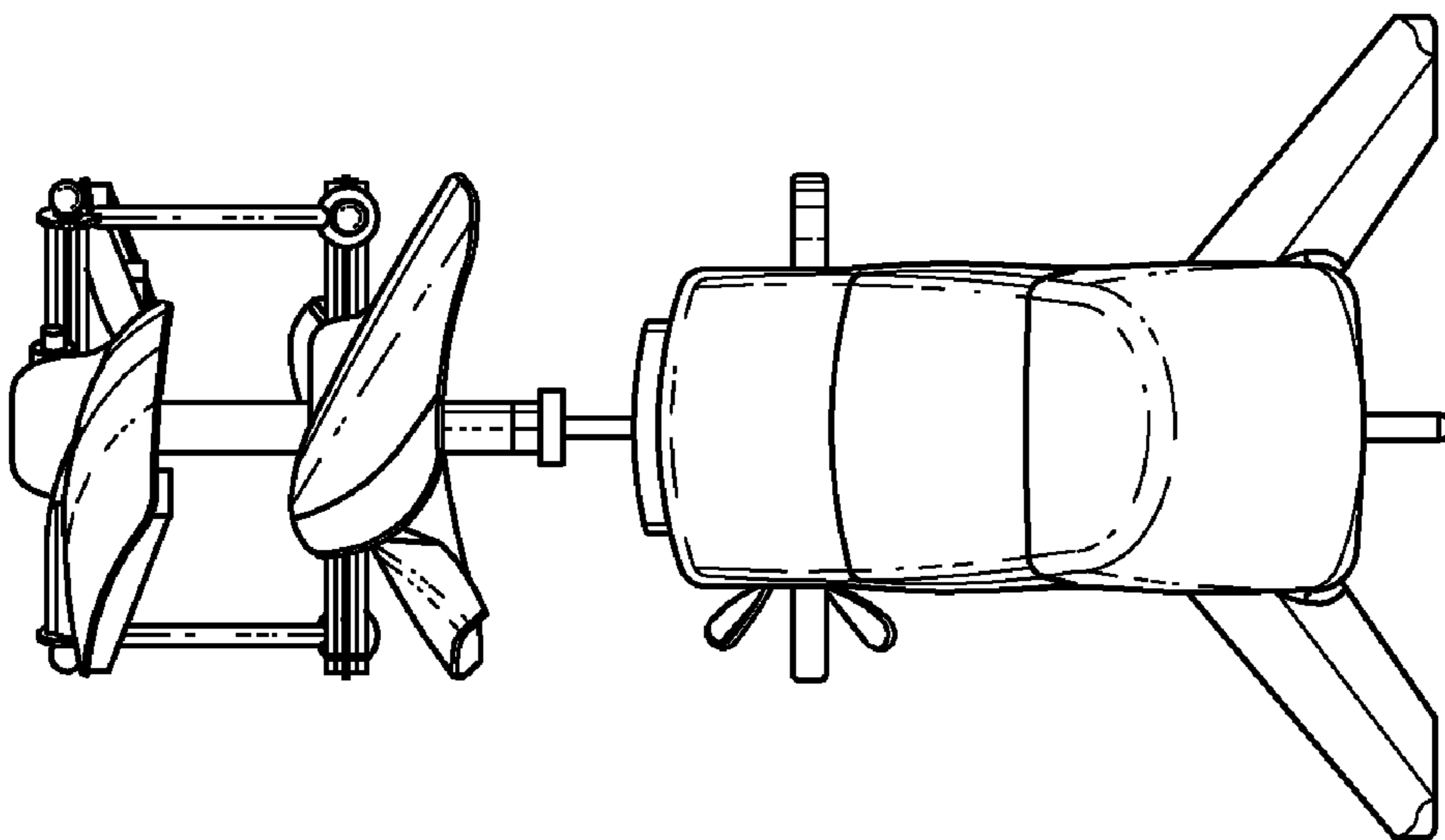


FIG. 5

UNITED STATES PATENT AND TRADEMARK OFFICE
CERTIFICATE OF CORRECTION

PATENT NO. : Des. 545,755 S
APPLICATION NO. : 29/275324
DATED : July 3, 2007
INVENTOR(S) : Alexander Jozef Magdalena Van De Rostyne et al.

Page 1 of 1

It is certified that error appears in the above-identified patent and that said Letters Patent is hereby corrected as shown below:

Title Page "Description", at line 1, please delete "1" and insert --3-- therefor.

Title Page "Description", at line 2, please delete "2" and insert --4-- therefor.

Title Page "Description", at line 3, please delete "3" and insert --5-- therefor.

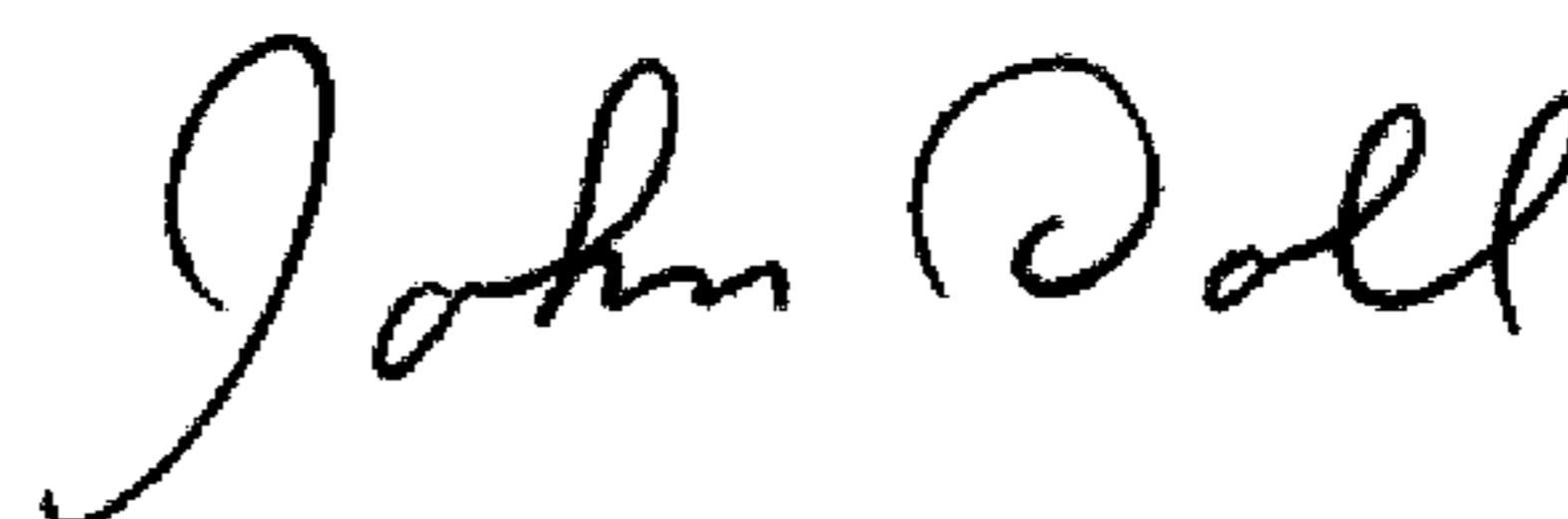
Title Page "Description", at line 4, please delete "4" and insert --6-- therefor.

Title Page "Description", at line 5, please delete "5" and insert --1-- therefor.

Title Page "Description", at line 6, please delete "6" and insert --2-- therefor.

Signed and Sealed this

Thirty-first Day of March, 2009



JOHN DOLL
Acting Director of the United States Patent and Trademark Office