



US00D545753S

(12) **United States Design Patent**
Hu

(10) **Patent No.:** **US D545,753 S**
(45) **Date of Patent:** **** Jul. 3, 2007**

(54) **MOUNTING RACK OF AUXILIARY REAR-VIEW MIRROR**

(76) Inventor: **Tsai-Fu Hu**, 200, Fu Chiang Road, Sec. 2, Yung Kang, Tainan (TW)

(**) Term: **14 Years**

(21) Appl. No.: **29/238,567**

(22) Filed: **Sep. 15, 2005**

(51) **LOC (8) Cl.** **12-06**

(52) **U.S. Cl.** **D12/223**

(58) **Field of Classification Search** D8/349,
D8/354, 382; D12/187-189, 223, 162
See application file for complete search history.

(56) **References Cited**

U.S. PATENT DOCUMENTS

D241,815 S	*	10/1976	Fredriksson	D8/382
D376,756 S	*	12/1996	Adams	D8/382
D454,828 S	*	3/2002	Alder	D12/223
D485,159 S	*	1/2004	Junkers	D8/382
D507,227 S	*	7/2005	James	D12/223

* cited by examiner

Primary Examiner—Gary D. Watson
Assistant Examiner—Sheryl Friedman

(74) *Attorney, Agent, or Firm*—Pro-Techtor Int'l Services

(57) **CLAIM**

The ornamental design for a mounting rack of auxiliary rear-view mirror, as shown and described.

DESCRIPTION

FIG. 1 is a perspective view of a mounting rack of auxiliary rear-view mirror showing my new design;

FIG. 2 is a front view of the design;

FIG. 3 is a rear view of the design;

FIG. 4 is a left side view of the design;

FIG. 5 is a right side view of the design;

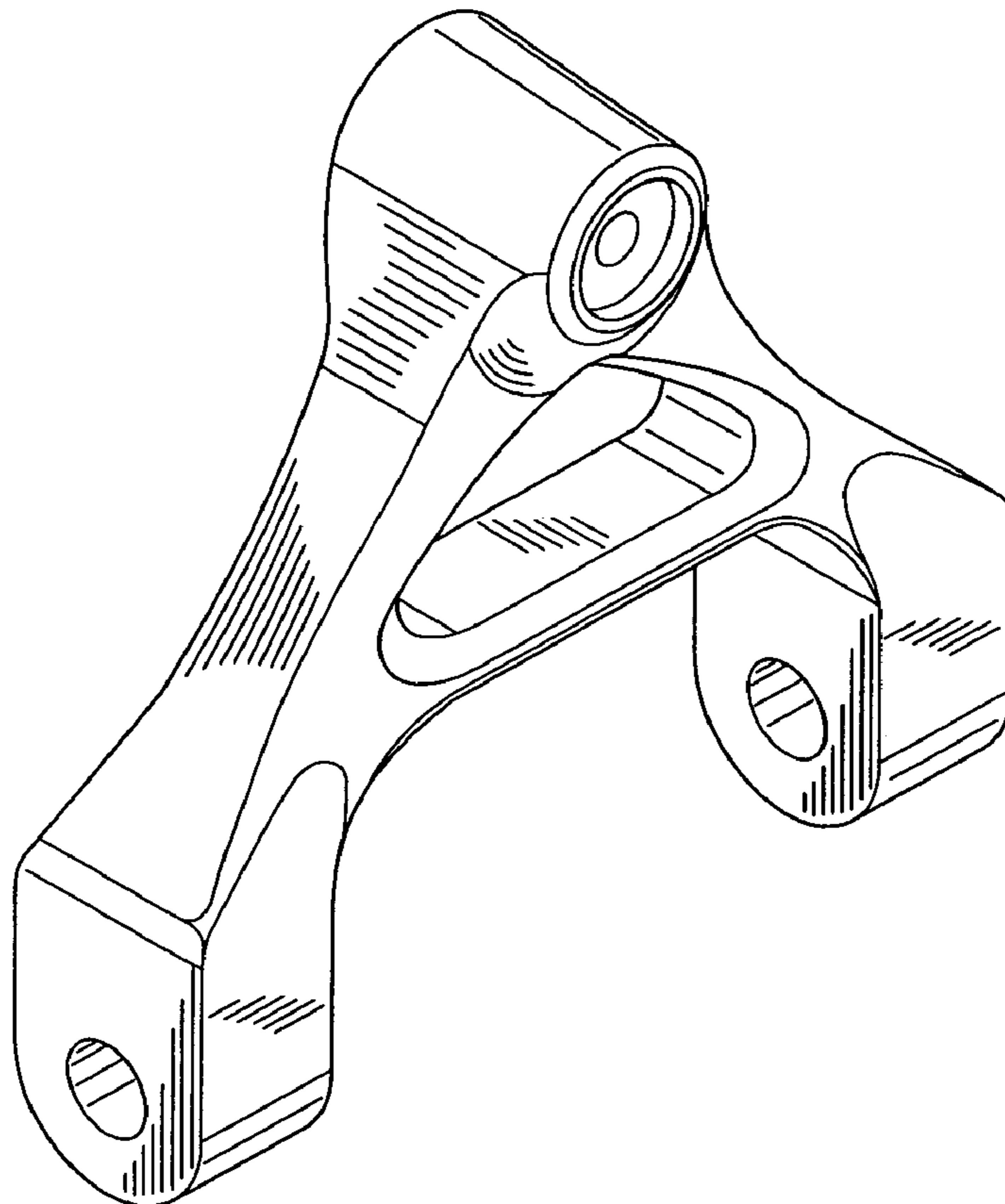
FIG. 6 is a top view of the design; and

FIG. 7 is a bottom view of the design; and,

FIG. 8 is a perspective view showing mounting rack of auxiliary rear-view mirror.

The broken line showing of the rear-view mirror assembly is included for the purpose of illustrating environmental structure and forms no part of the claimed design.

1 Claim, 4 Drawing Sheets



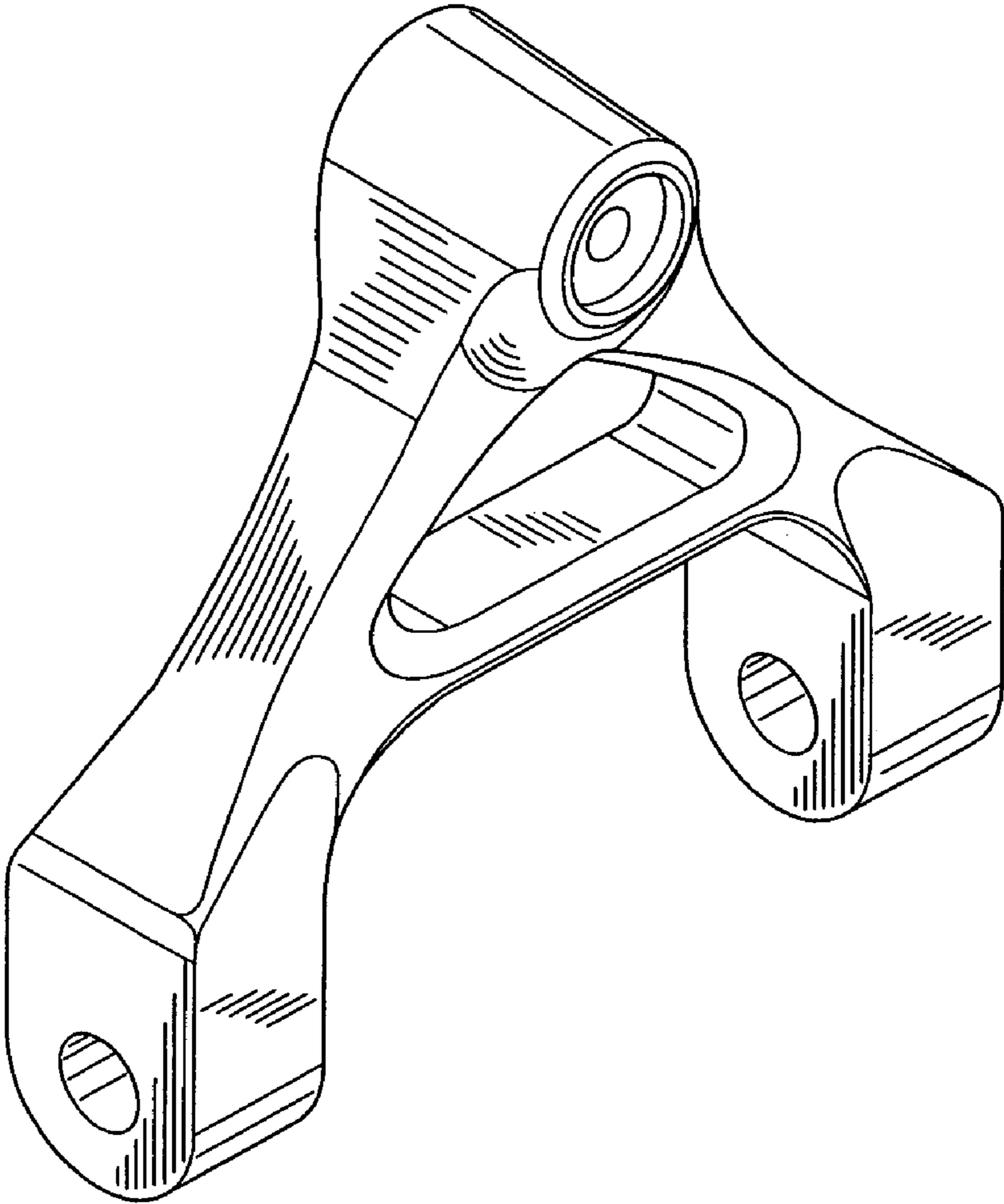


FIG. 1

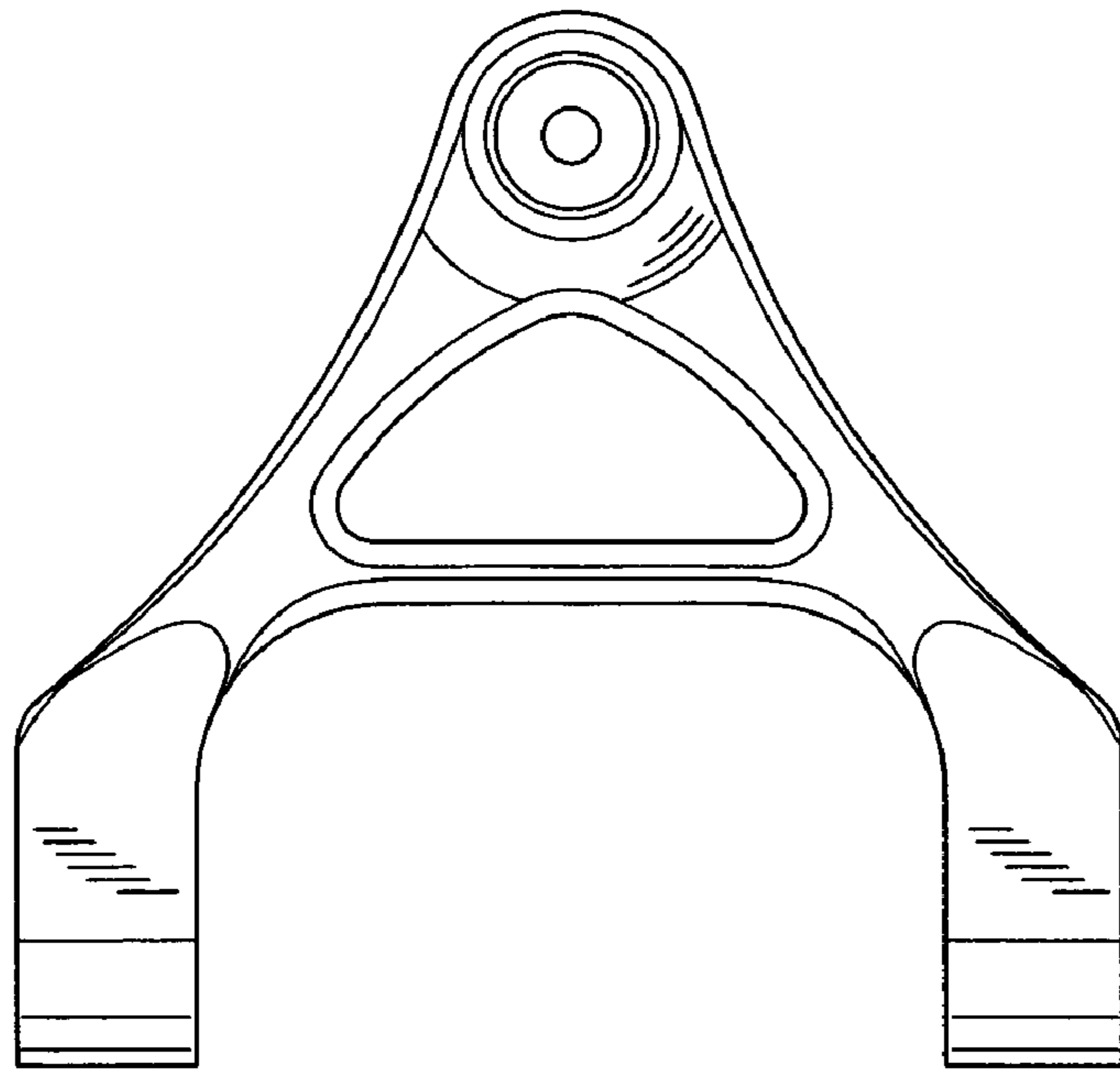


FIG. 2

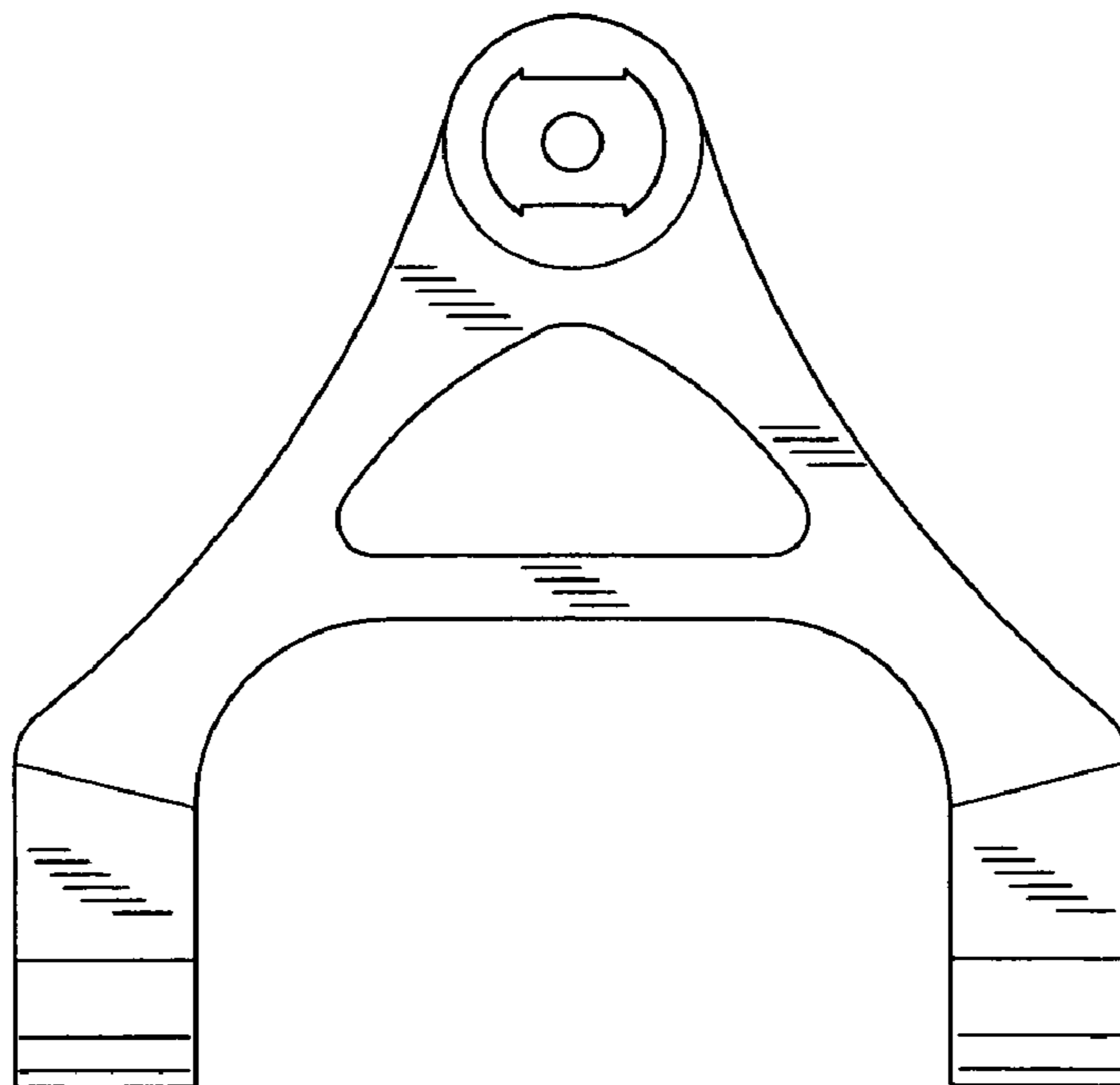


FIG. 3

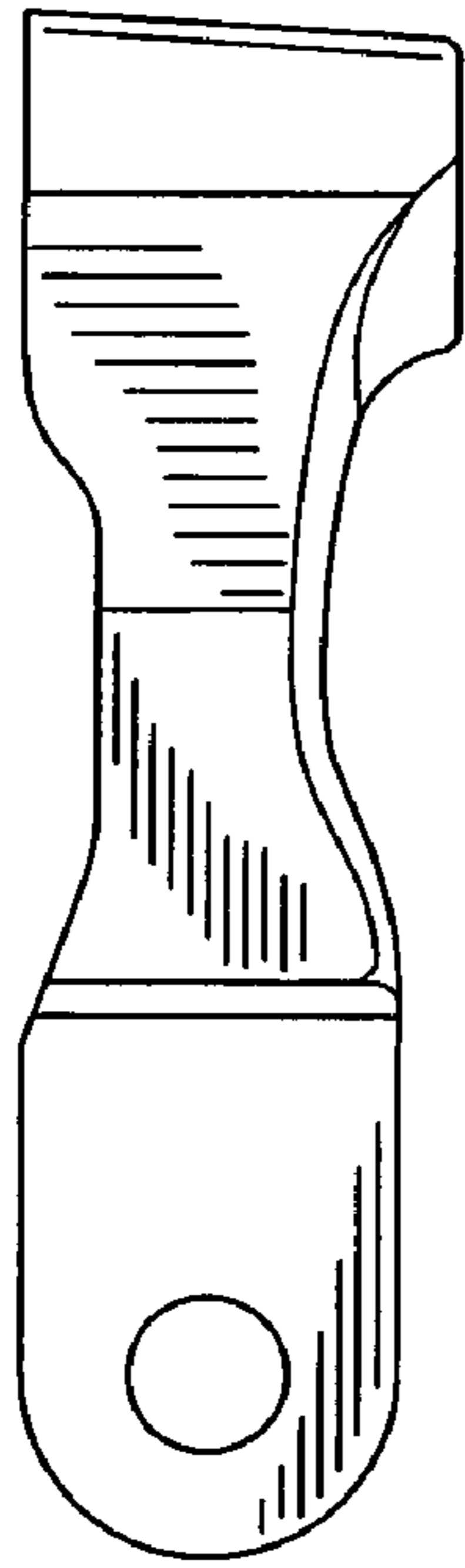


FIG. 4

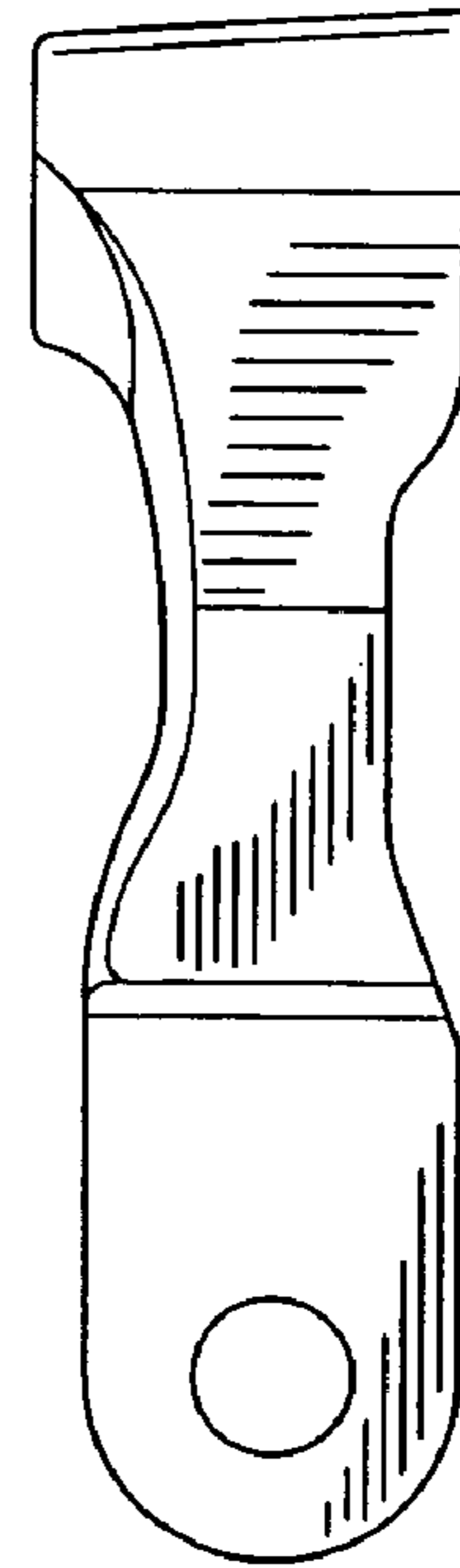


FIG. 5

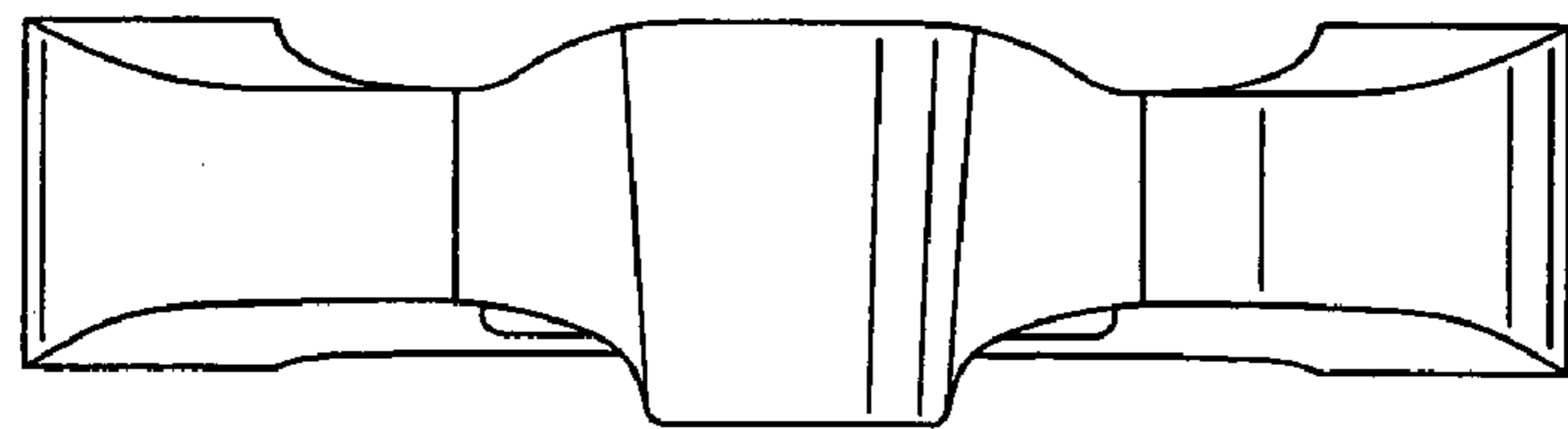


FIG. 6

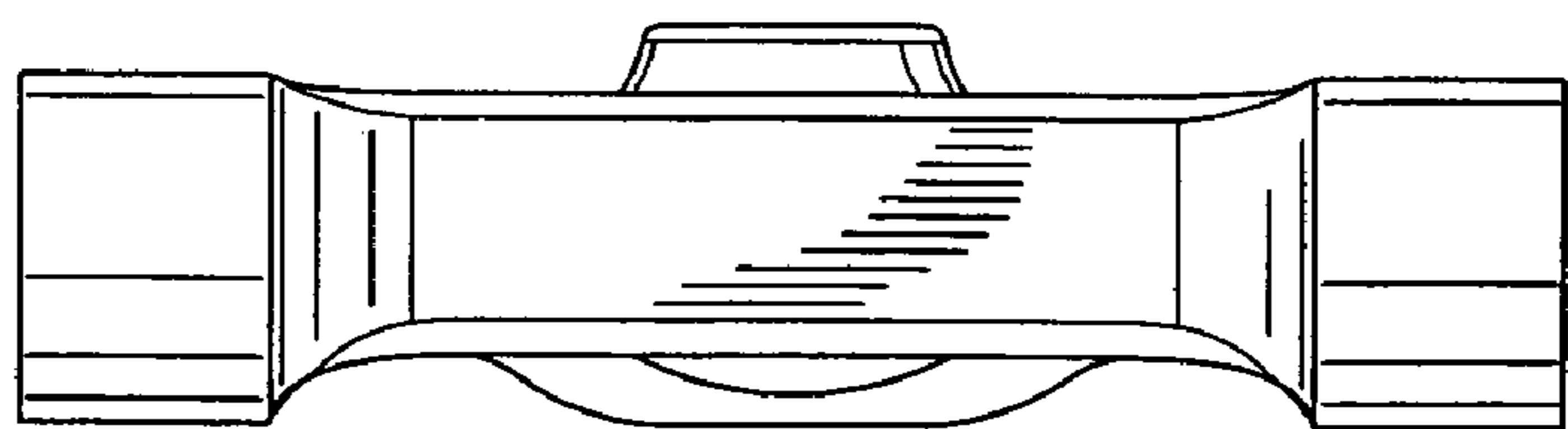


FIG. 7

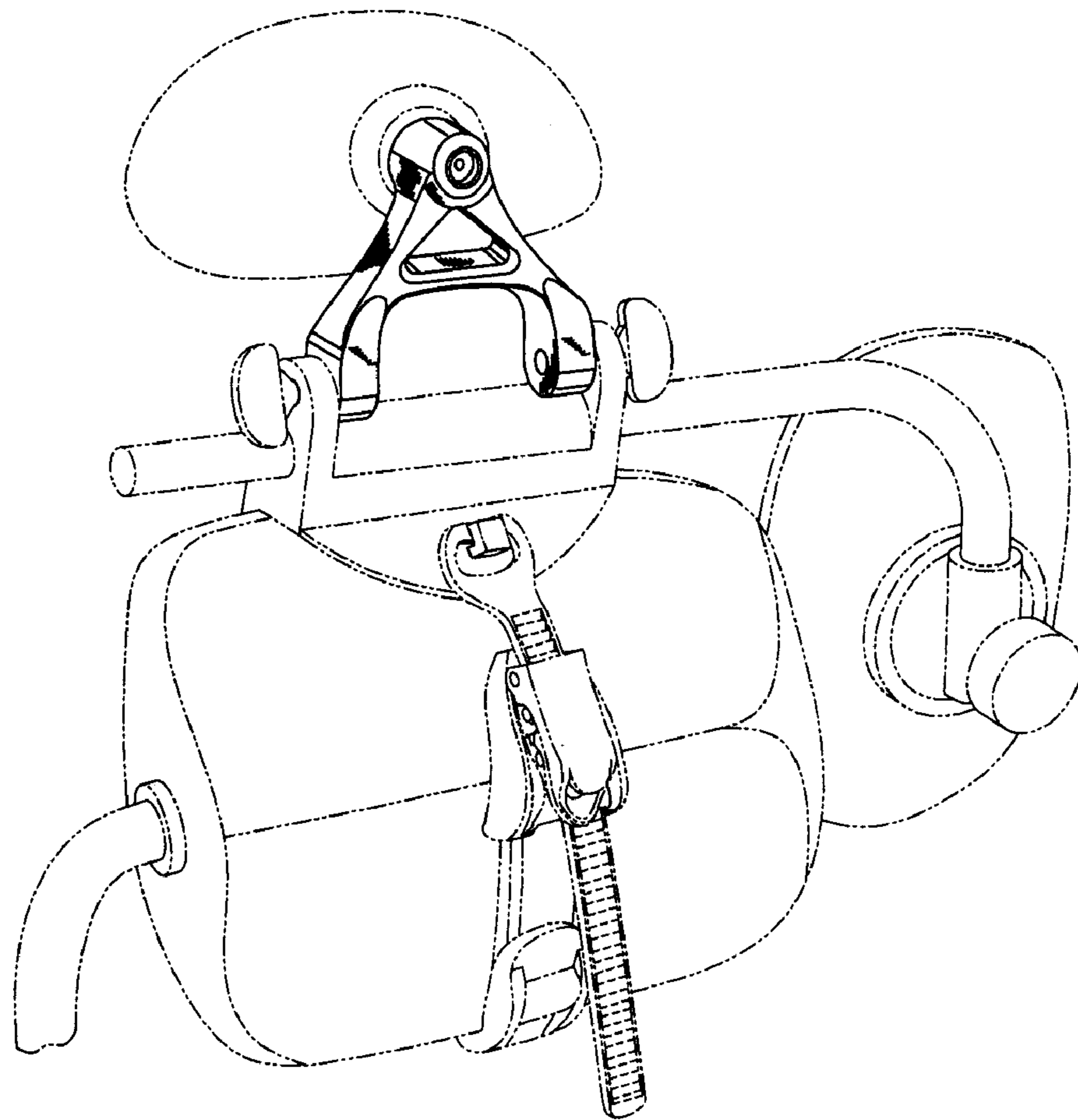


FIG. 8