



US00D545750S

(12) **United States Design Patent**
Young

(10) **Patent No.:** **US D545,750 S**

(45) **Date of Patent:** **** Jul. 3, 2007**

(54) **AUTOMOTIVE WHEEL**

(75) Inventor: **Philip B. Young**, Industry, CA (US)

(73) Assignee: **Master Pacific**, Shanghai (CN)

(**) Term: **14 Years**

(21) Appl. No.: **29/271,044**

(22) Filed: **Jan. 10, 2007**

(51) **LOC (8) Cl.** **12-16**

(52) **U.S. Cl.** **D12/211**

(58) **Field of Classification Search** D12/204-213;
301/37.101, 64.101, 65

See application file for complete search history.

(56) **References Cited**

U.S. PATENT DOCUMENTS

D258,503 S	*	3/1981	Semple	D12/211
D368,464 S	*	4/1996	Morley et al.	D12/209
D497,866 S	*	11/2004	Walbey, Jr.	D12/209
D504,380 S	*	4/2005	Kushartanto	D12/209
D508,452 S	*	8/2005	Tirado	D12/209

D510,309 S	*	10/2005	Cheng	D12/211
D517,972 S	*	3/2006	Tirado	D12/211
D521,920 S	*	5/2006	Phillips	D12/209
D526,267 S	*	8/2006	Looho	D12/211
D535,238 S	*	1/2007	Kim	D12/209
D535,241 S	*	1/2007	Kim	D12/211
D535,606 S	*	1/2007	Hernandez	D12/211

* cited by examiner

Primary Examiner—Stacia Cadmus

(57) **CLAIM**

The ornamental design for an automotive wheel, as shown and described.

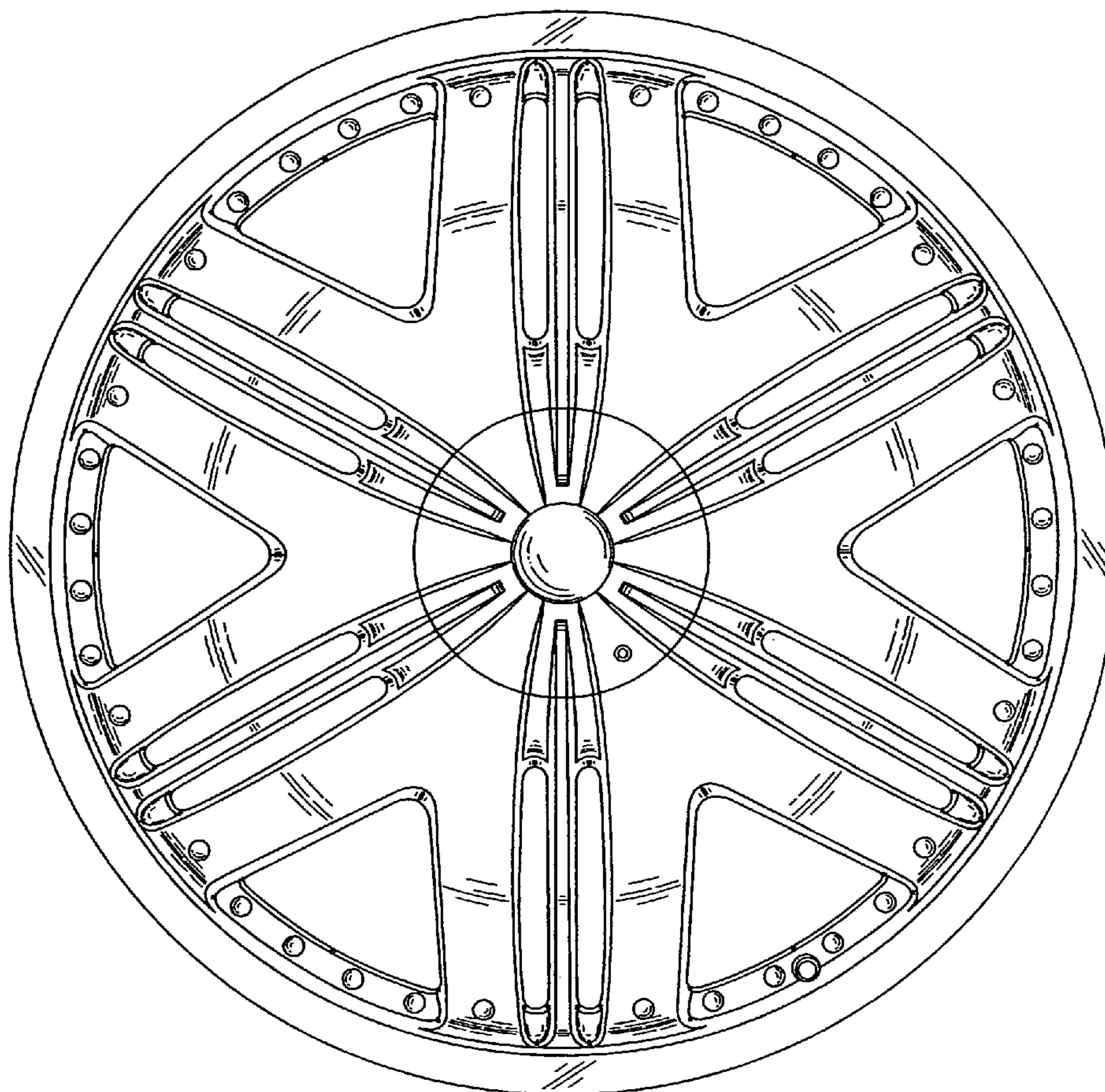
DESCRIPTION

FIG. 1 is a perspective view of an automotive wheel showing my new design; and,

FIG. 2 is a front elevational view of an automotive wheel showing the design herein described.

The broken lines showing the environment are for illustrative purposes only, and form no part of the claimed design.

1 Claim, 2 Drawing Sheets



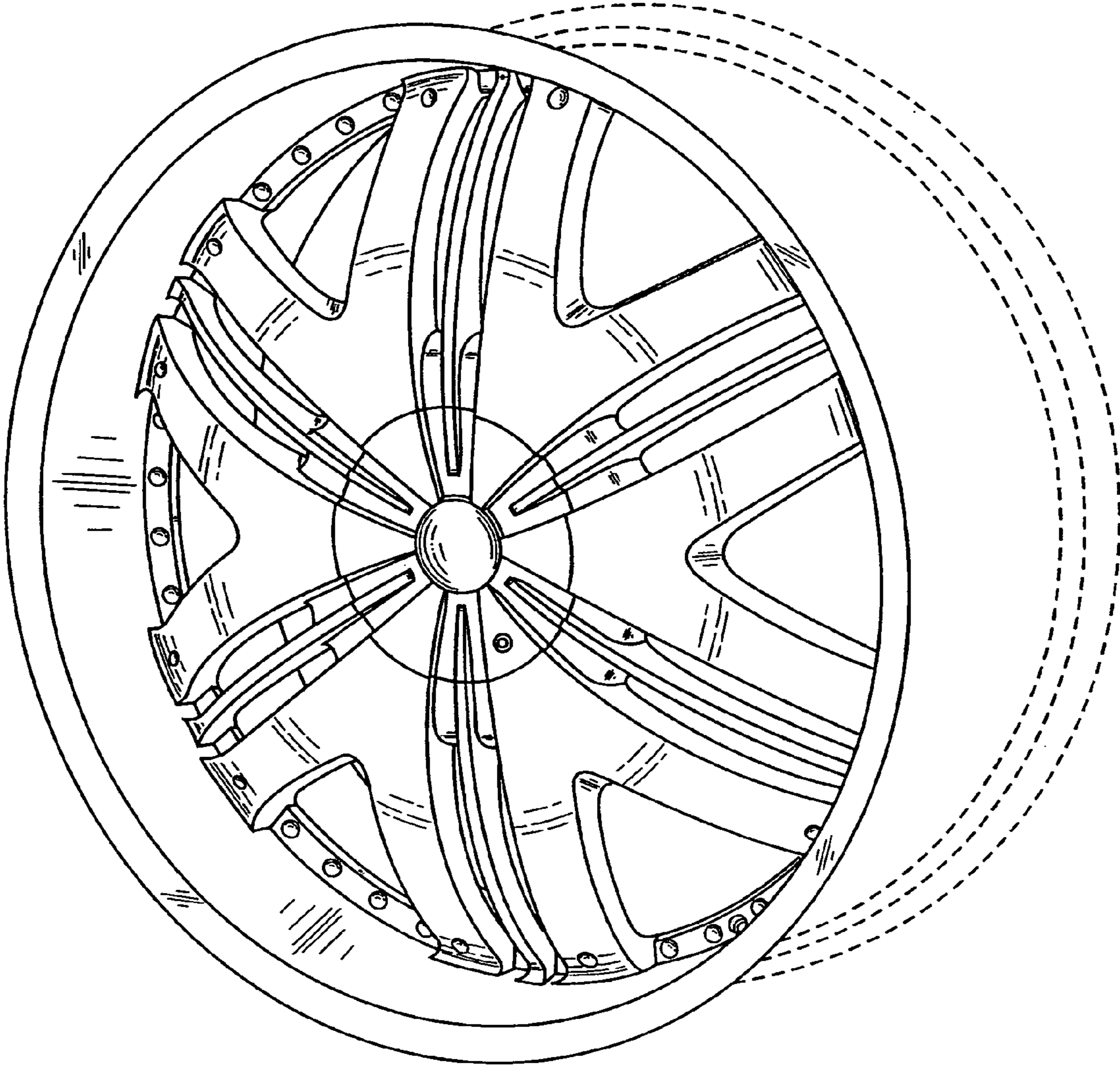


Fig. 1

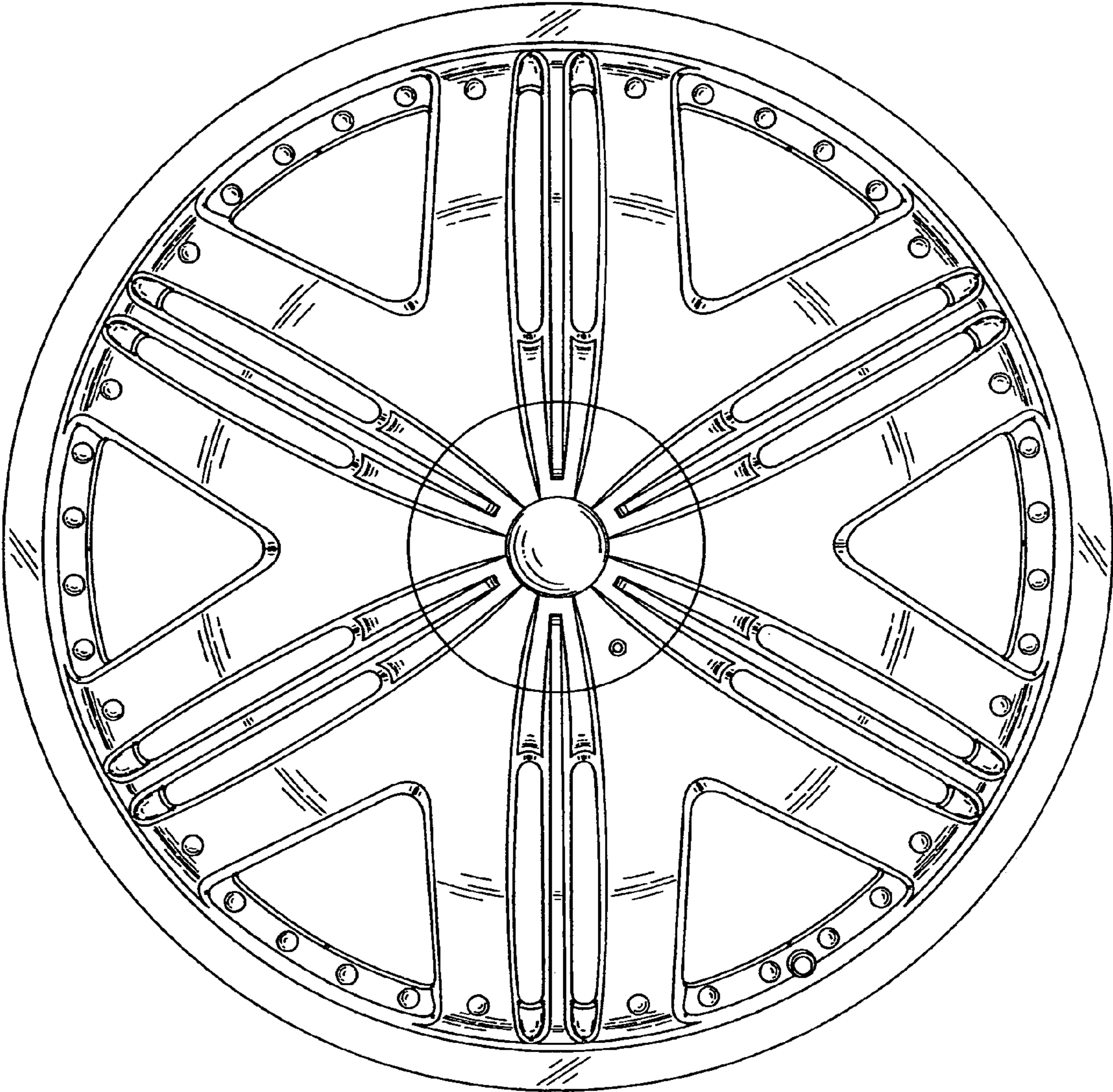


Fig. 2