



(12) **United States Design Patent**
Okada et al.

(10) **Patent No.:** **US D545,748 S**
(45) **Date of Patent:** **** Jul. 3, 2007**

(54) **BICYCLE HUB LEVER**

(75) Inventors: **Shigekatsu Okada**, Osaka (JP);
Anthony Piazza, Palo Alto, CA (US)

(73) Assignee: **Shimano Inc.**, Osaka (JP)

(**) Term: **14 Years**

(21) Appl. No.: **29/216,677**

(22) Filed: **Nov. 8, 2004**

(30) **Foreign Application Priority Data**

May 28, 2004 (JP) 2004-015853

(51) **LOC (8) Cl.** **12-16**

(52) **U.S. Cl.** **D12/207**

(58) **Field of Classification Search** D12/207-213;
301/37.101, 64.101, 65, 110.5, 55
See application file for complete search history.

(56) **References Cited**

U.S. PATENT DOCUMENTS

6,382,734	B1 *	5/2002	Passarotto	301/55
6,783,192	B2 *	8/2004	Meggiolan	301/110.5
2002/0109398	A1 *	8/2002	Meggiolan	301/110.5
2005/0067883	A1 *	3/2005	Meggiolan	301/110.5
2006/0006732	A1 *	1/2006	Fukui	301/110.5

* cited by examiner

Primary Examiner—Robert M. Spear
Assistant Examiner—George D. Kirschbaum, Jr.

(74) *Attorney, Agent, or Firm*—Global IP Counselors

(57) **CLAIM**

The ornamental design for a bicycle hub lever, as shown and described.

DESCRIPTION

FIG. 1 is a front side perspective view of a bicycle hub in accordance with our new design;

FIG. 2 is a front side elevational view of the bicycle hub in accordance with our new design;

FIG. 3 is a rear side elevational view of the bicycle hub in accordance with our new design;

FIG. 4 is a right side end elevational view of the bicycle hub in accordance with our new design;

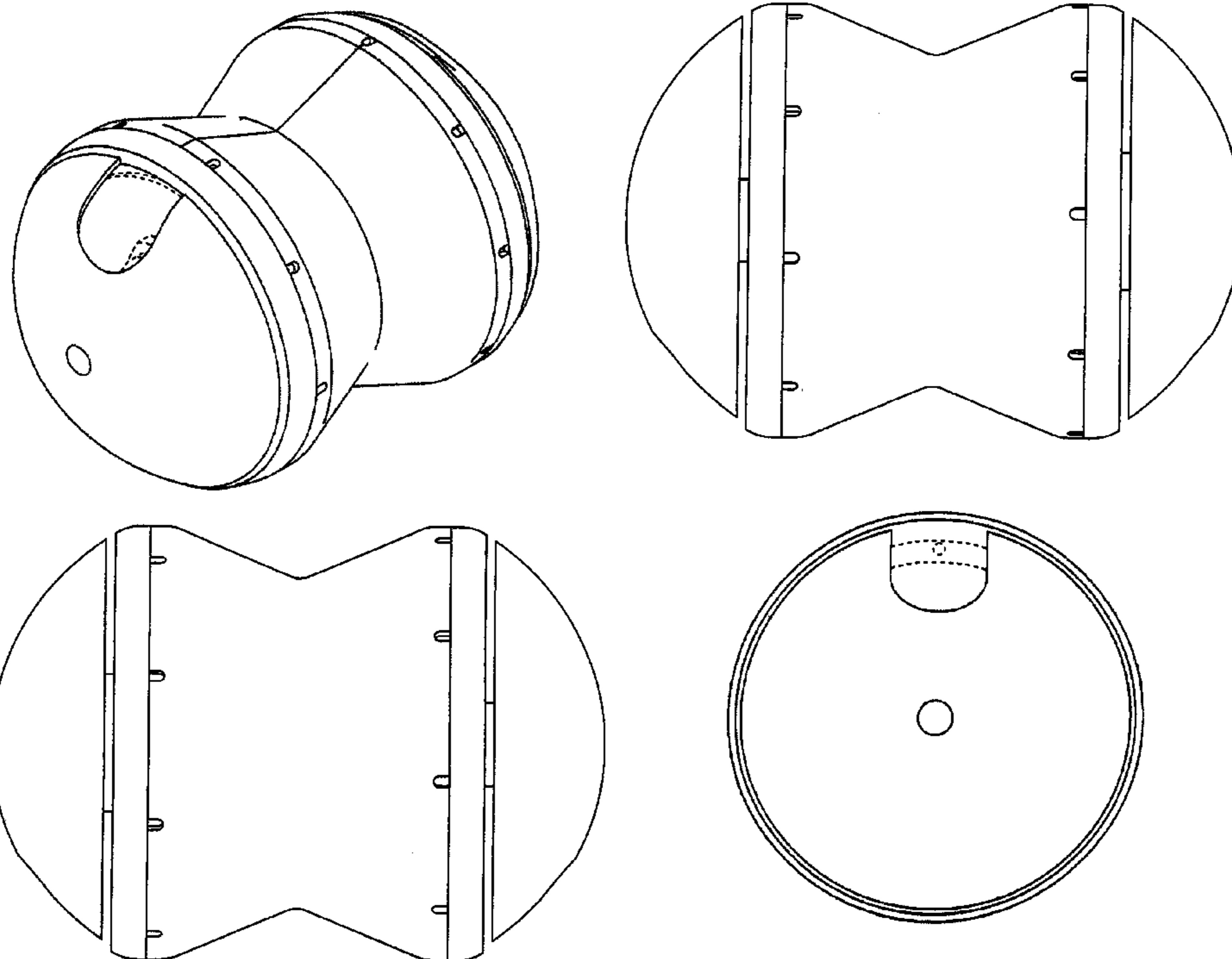
FIG. 5 is a left side end elevational view of the bicycle hub in accordance with our new design;

FIG. 6 is a top plan view of the bicycle hub in accordance with our new design; and,

FIG. 7 is a bottom plan view of the bicycle hub in accordance with our new design.

The broken line showing of internal structures, normally hidden in use, is included for the purpose of illustrating design structure, and forms no part of the claimed design.

1 Claim, 4 Drawing Sheets



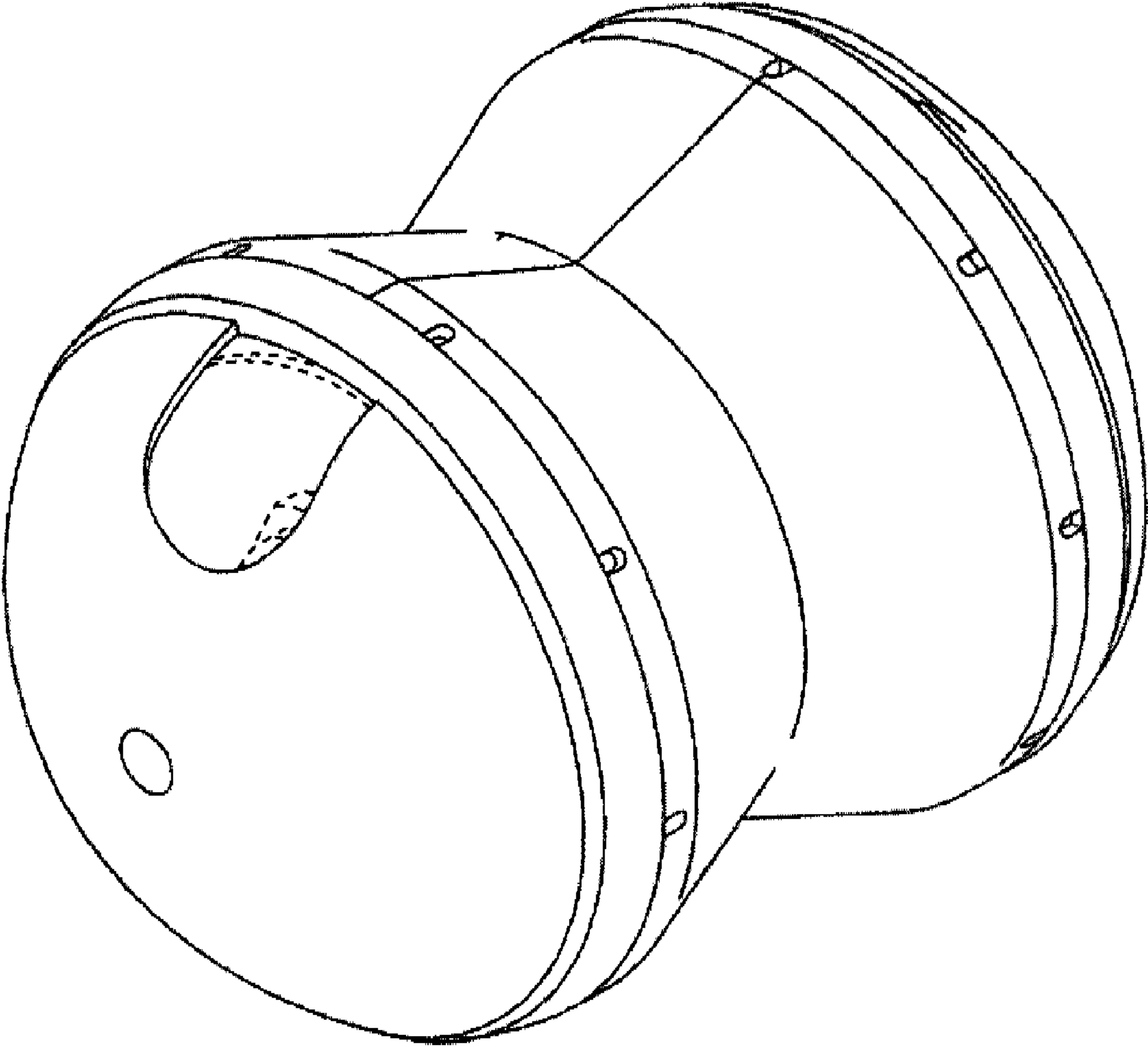


Fig. 1

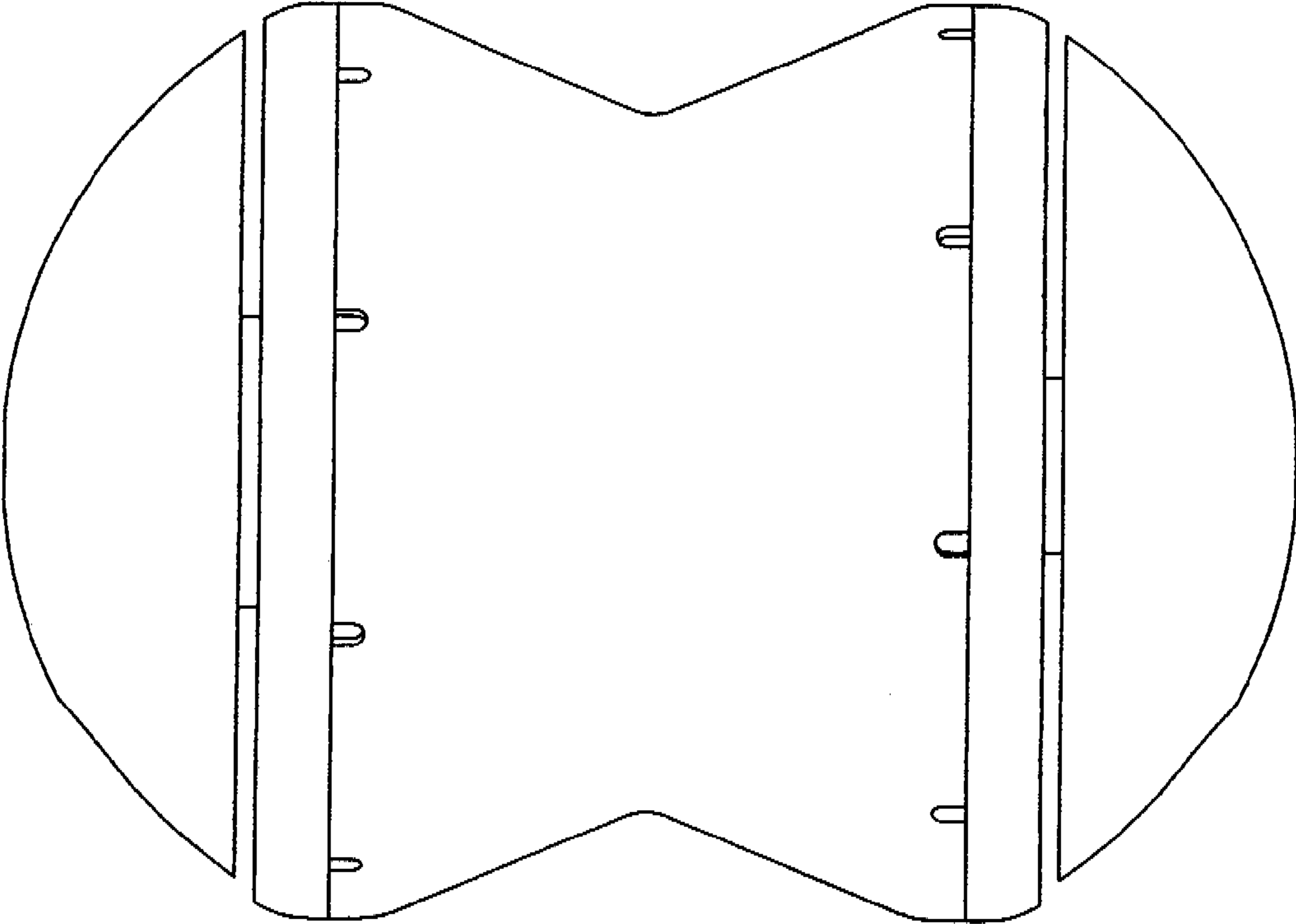


Fig. 2

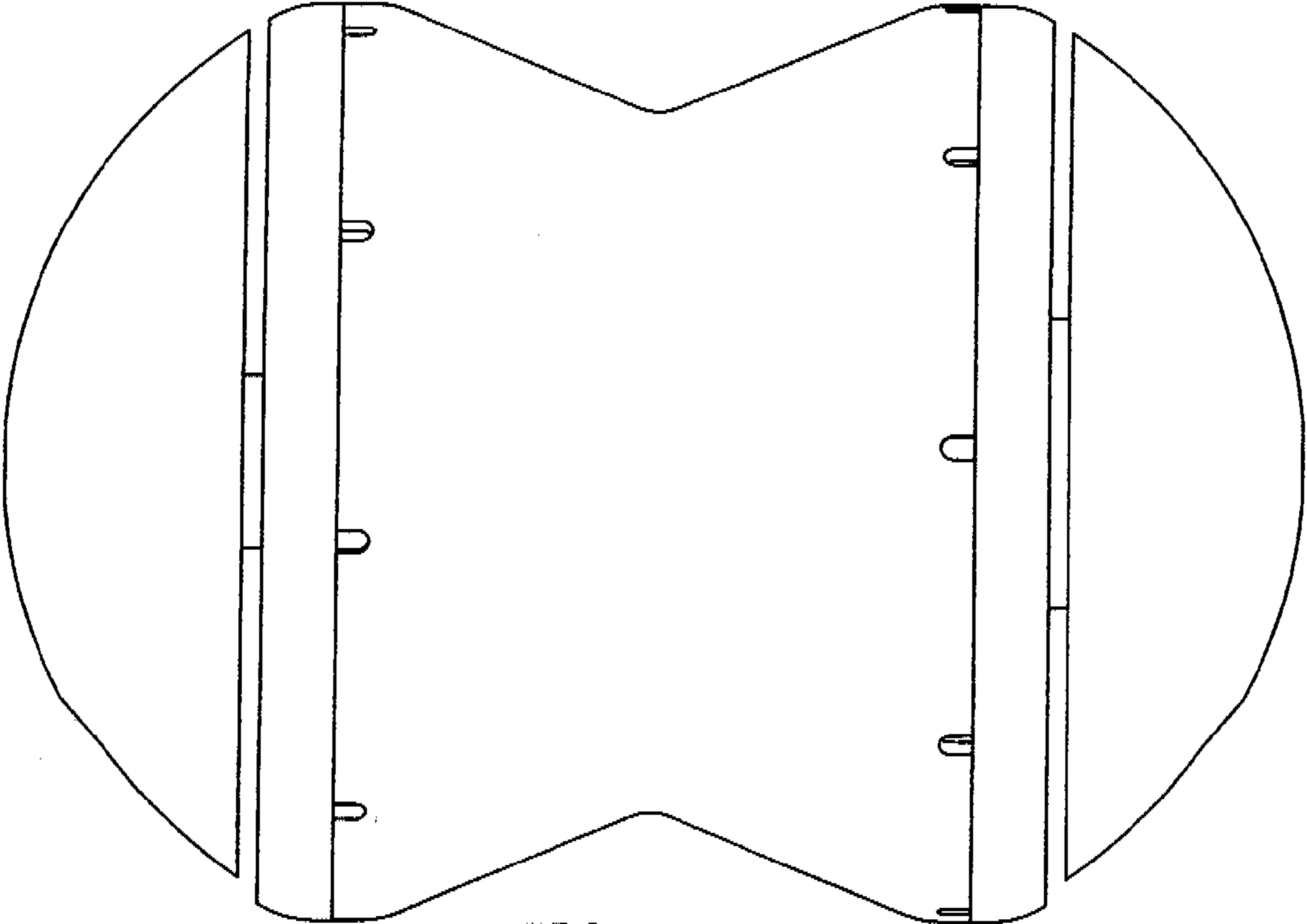


Fig. 3

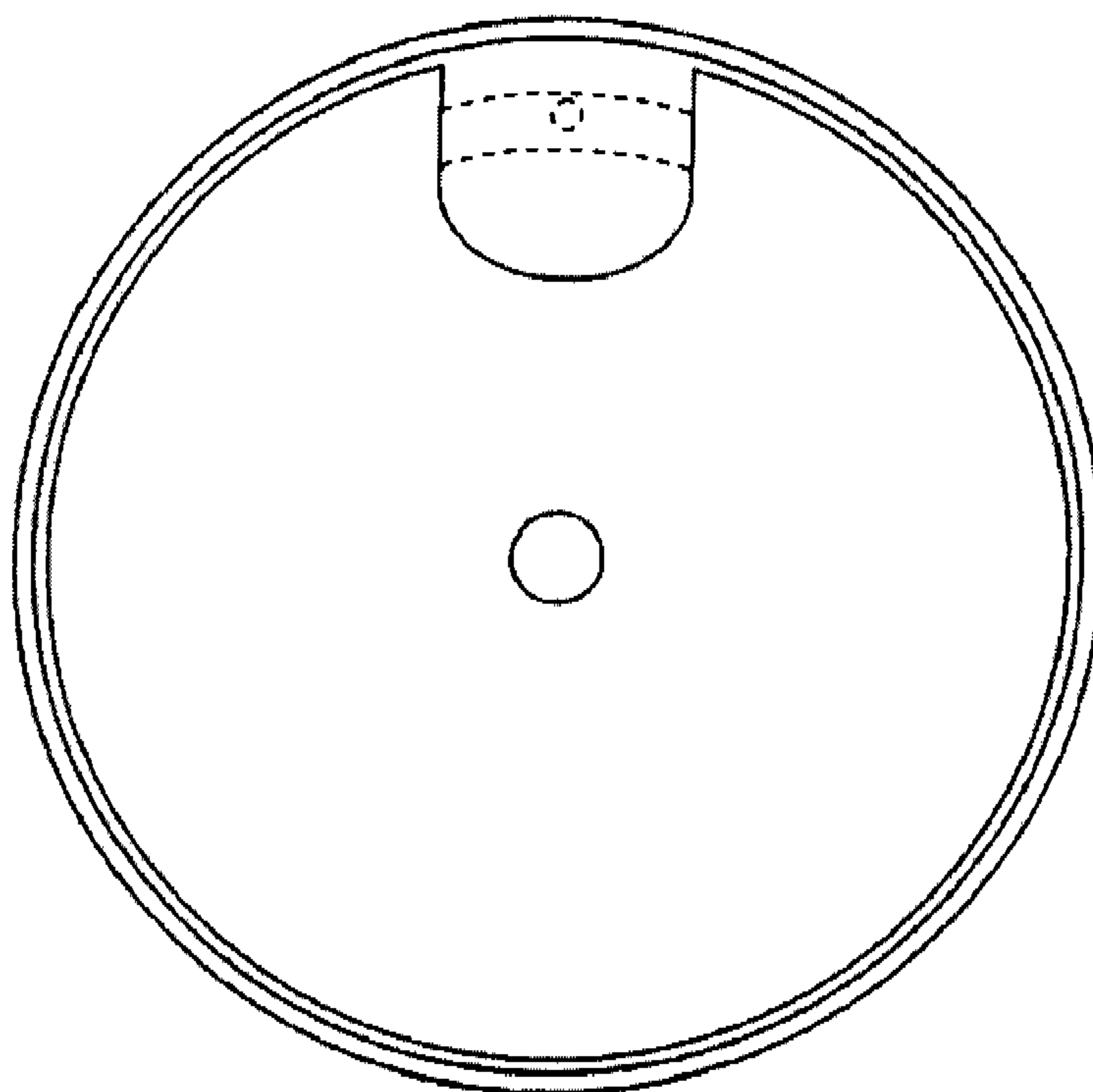


Fig. 4

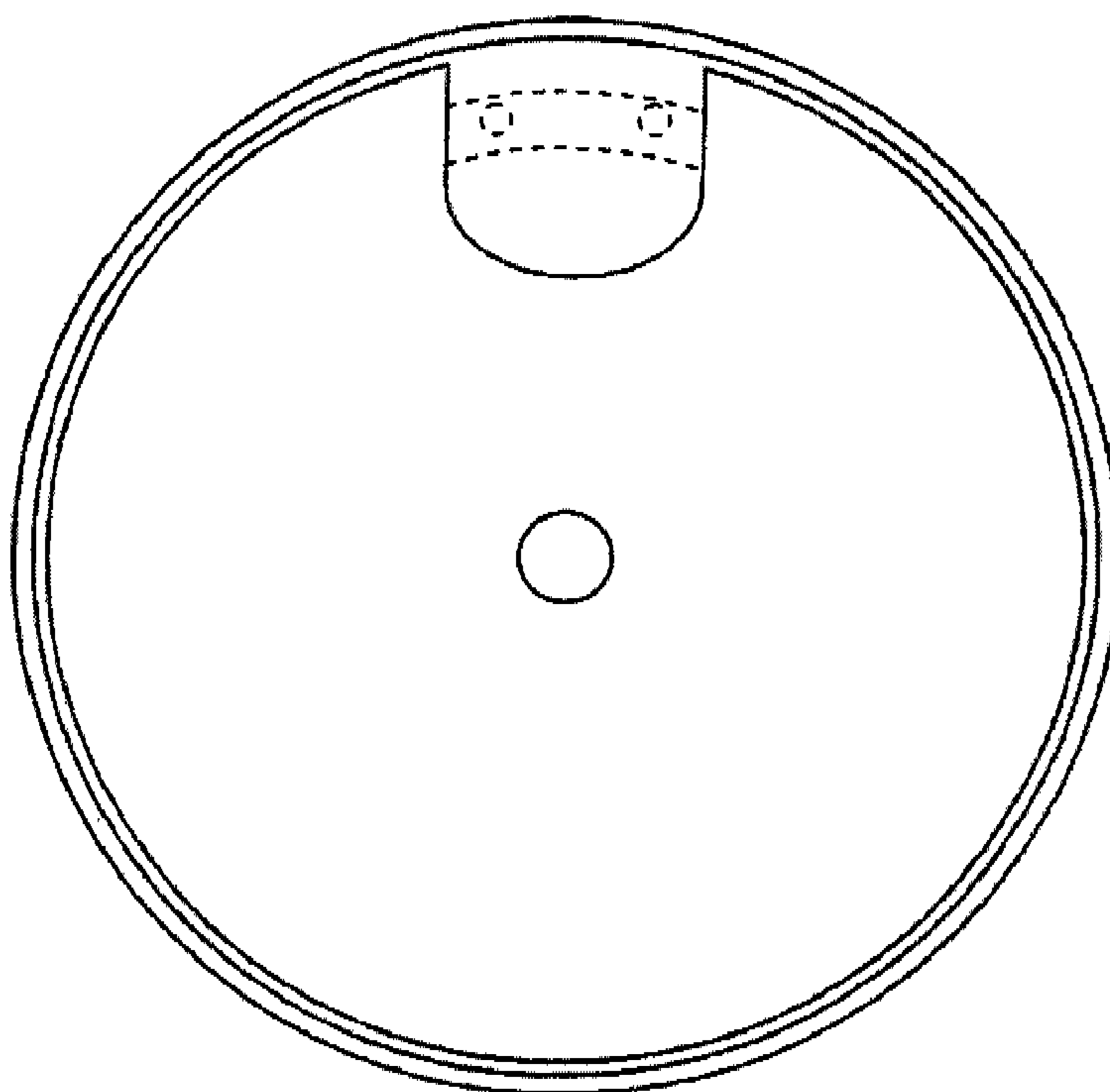


Fig. 5

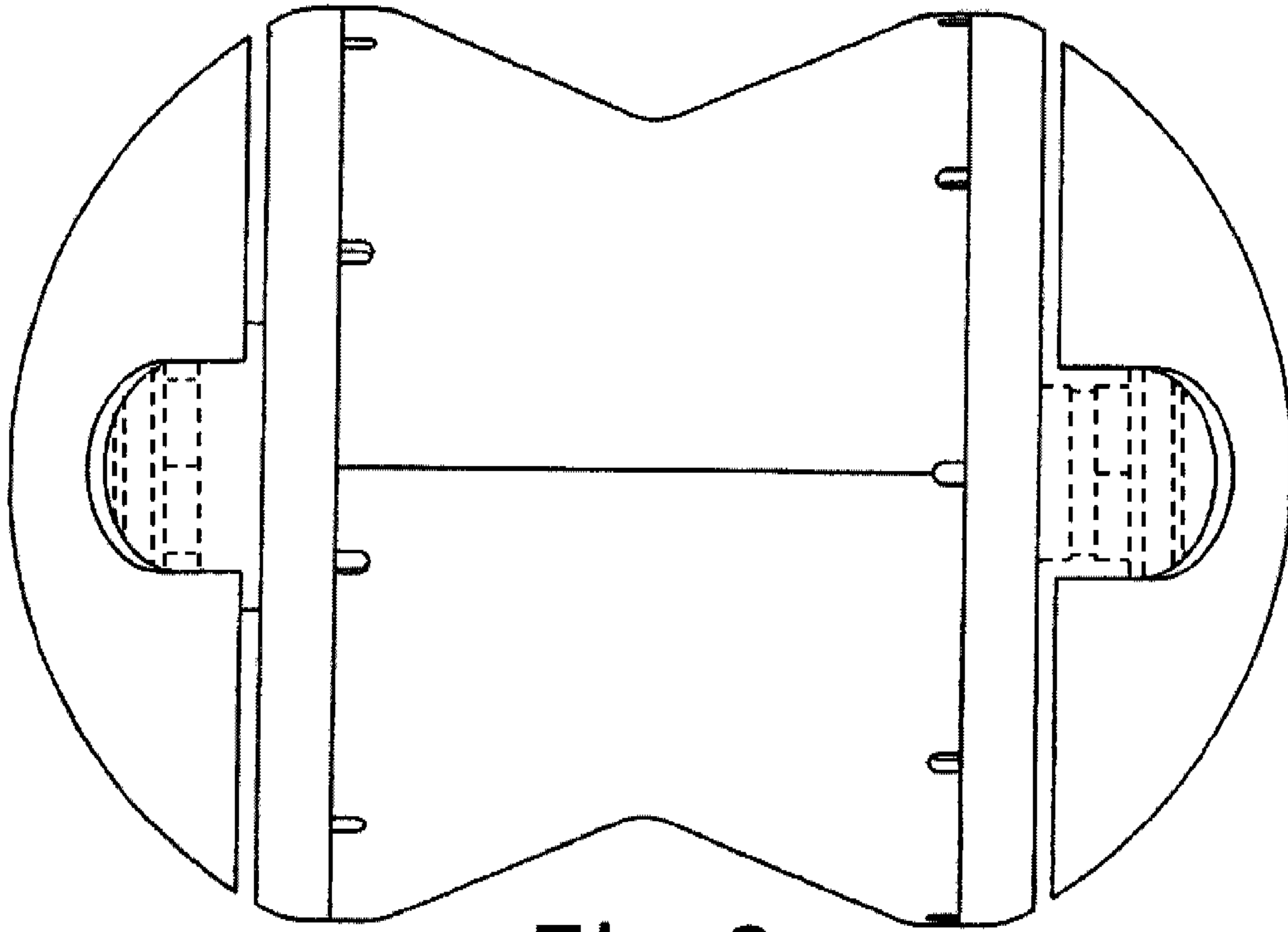


Fig. 6

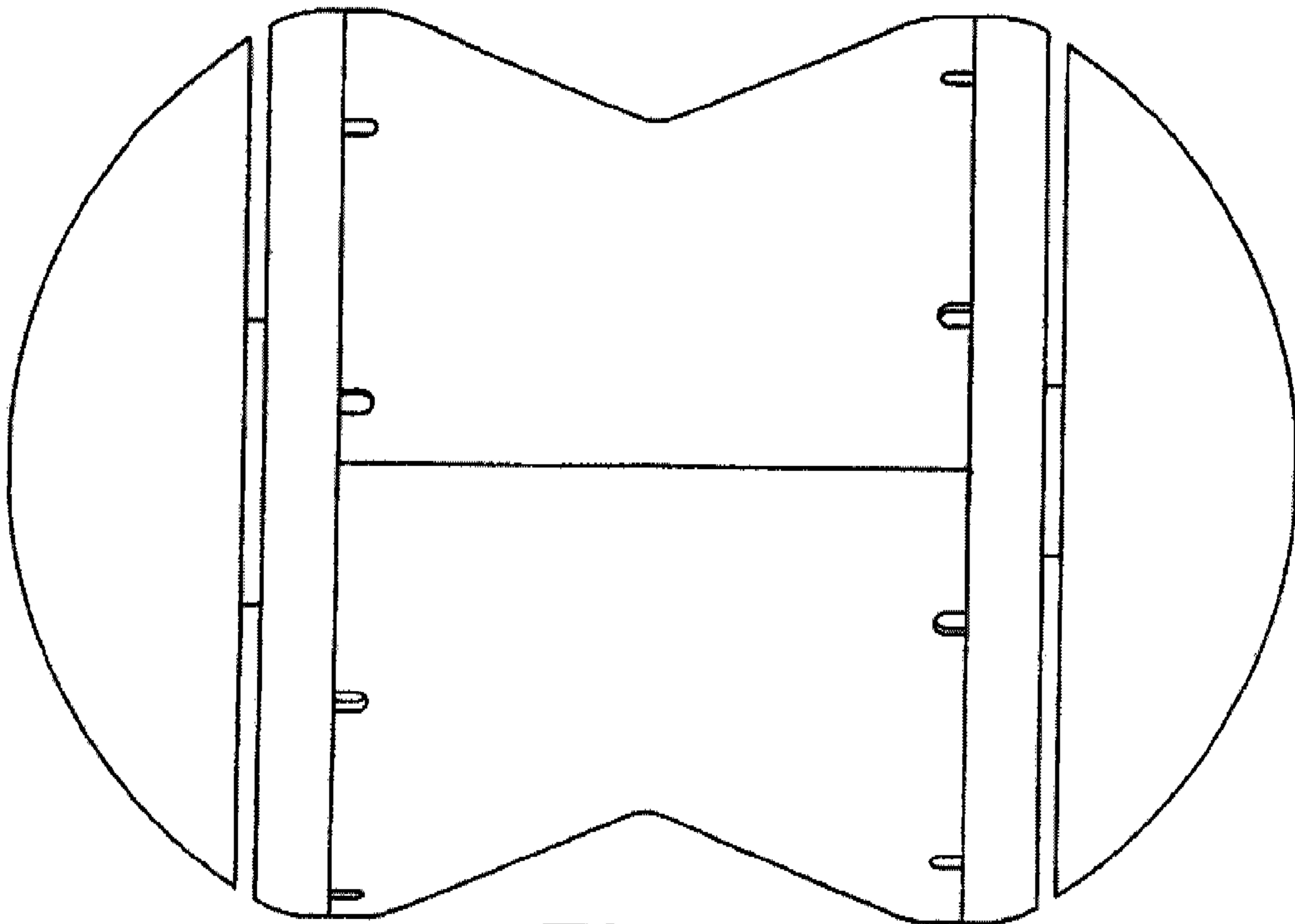


Fig. 7