

US00D545742S

(12) **United States Design Patent**  
**Kinoshita**

(10) **Patent No.:** **US D545,742 S**

(45) **Date of Patent:** **\*\* Jul. 3, 2007**

(54) **MUFFLER FOR FOUR-WHEELED MOTORCYCLE**

2004/0089500 A1\* 5/2004 Lewis ..... 181/249

(75) Inventor: **Shogo Kinoshita**, Toshima-ku (JP)

(73) Assignee: **Yamaha Hatsudoki Kabushiki Kaisha**, Shizuoka (JP)

(\*\*) Term: **14 Years**

(21) Appl. No.: **29/231,144**

(22) Filed: **Jun. 1, 2005**

(51) **LOC (8) Cl.** ..... **12-16**

(52) **U.S. Cl.** ..... **D12/194**

(58) **Field of Classification Search** ..... D12/110,  
D12/194, 107, 87; 180/219, 225, 89.2, 296,  
180/309, 229, 312; 181/227, 228, 241, 264,  
181/239, 282, 247-249; 60/302, 303, 305,  
60/323, 312-314, 322; 29/890.08; 138/37-39;  
D15/5

See application file for complete search history.

(56) **References Cited**

**U.S. PATENT DOCUMENTS**

2,834,426	A *	5/1958	Mason	.....	181/269
3,958,660	A *	5/1976	Boor	.....	181/269
5,200,582	A *	4/1993	Kraai et al.	.....	181/256
D392,928	S *	3/1998	Erion et al.	.....	D12/194
6,138,791	A *	10/2000	Zanzie	.....	181/252
D460,726	S *	7/2002	Campbell et al.	.....	D12/194
6,840,348	B2 *	1/2005	Takewaka et al.	.....	181/252
D501,431	S *	2/2005	Hirano	.....	D12/110
6,941,751	B2 *	9/2005	Yamamoto et al.	.....	60/322

**OTHER PUBLICATIONS**

Tucker Rocky 2002 ATV catalog, mufflers shown on p. 239.\*

\* cited by examiner

*Primary Examiner*—Alan P. Douglas

*Assistant Examiner*—Linda Brooks

(74) *Attorney, Agent, or Firm*—Keating & Bennett, LLP

(57) **CLAIM**

The ornamental design for a muffler for four-wheeled motorcycle, as shown and described.

**DESCRIPTION**

FIG. 1 is a front perspective view of a four-wheeled motorcycle, which is the environment of my new design for a muffler for four-wheeled motorcycle;

FIG. 2 is a rear perspective view of the muffler for four-wheeled motorcycle;

FIG. 3 is a right side view thereof;

FIG. 4 is a left side view thereof;

FIG. 5 is a front view thereof;

FIG. 6 is a rear view thereof;

FIG. 7 is a top plan view thereof; and,

FIG. 8 is a bottom plan view thereof.

The broken lines shown in FIGS. 1-8 are for illustrative purposes only and form no part of the claimed design.

**1 Claim, 5 Drawing Sheets**

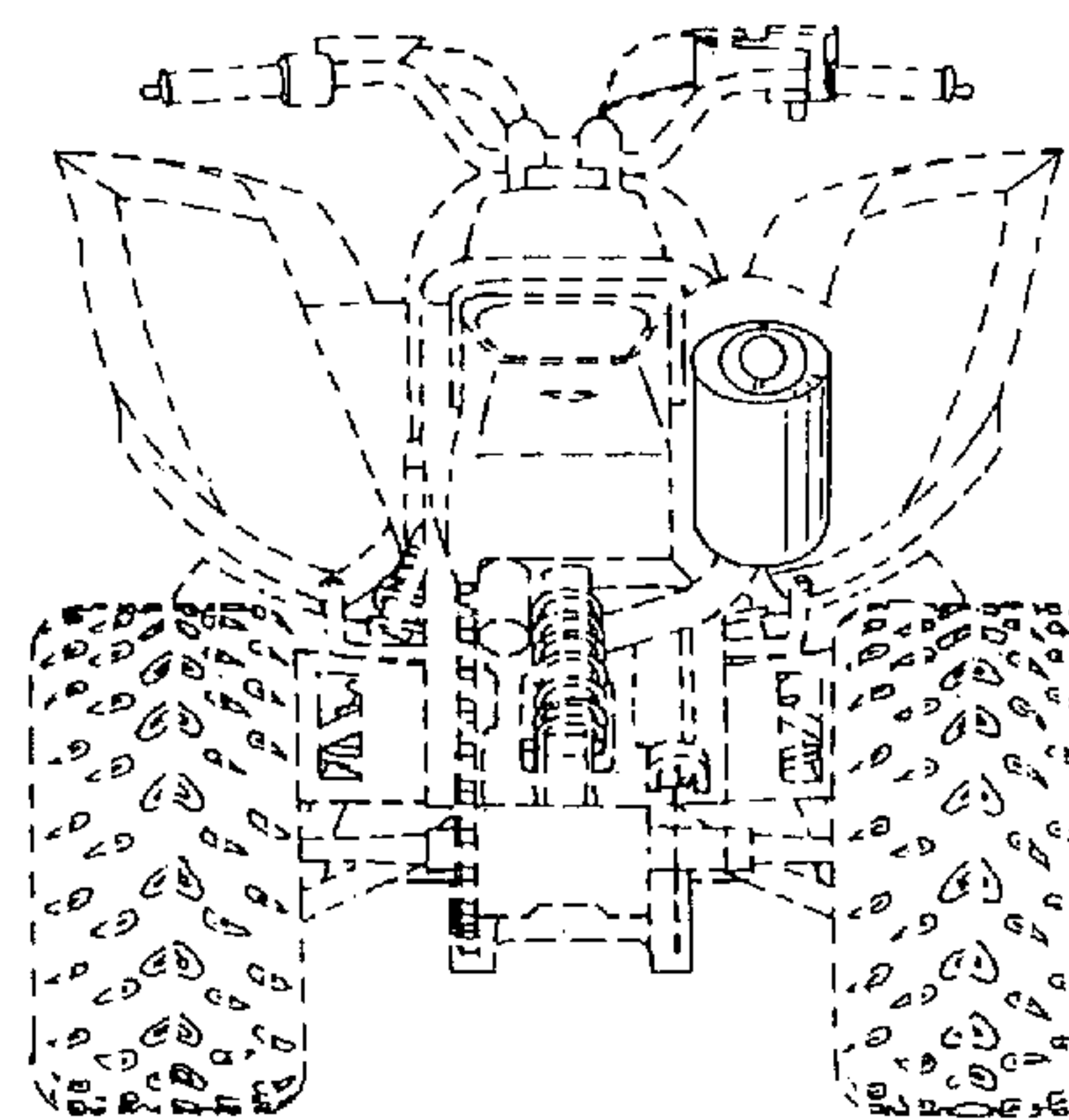
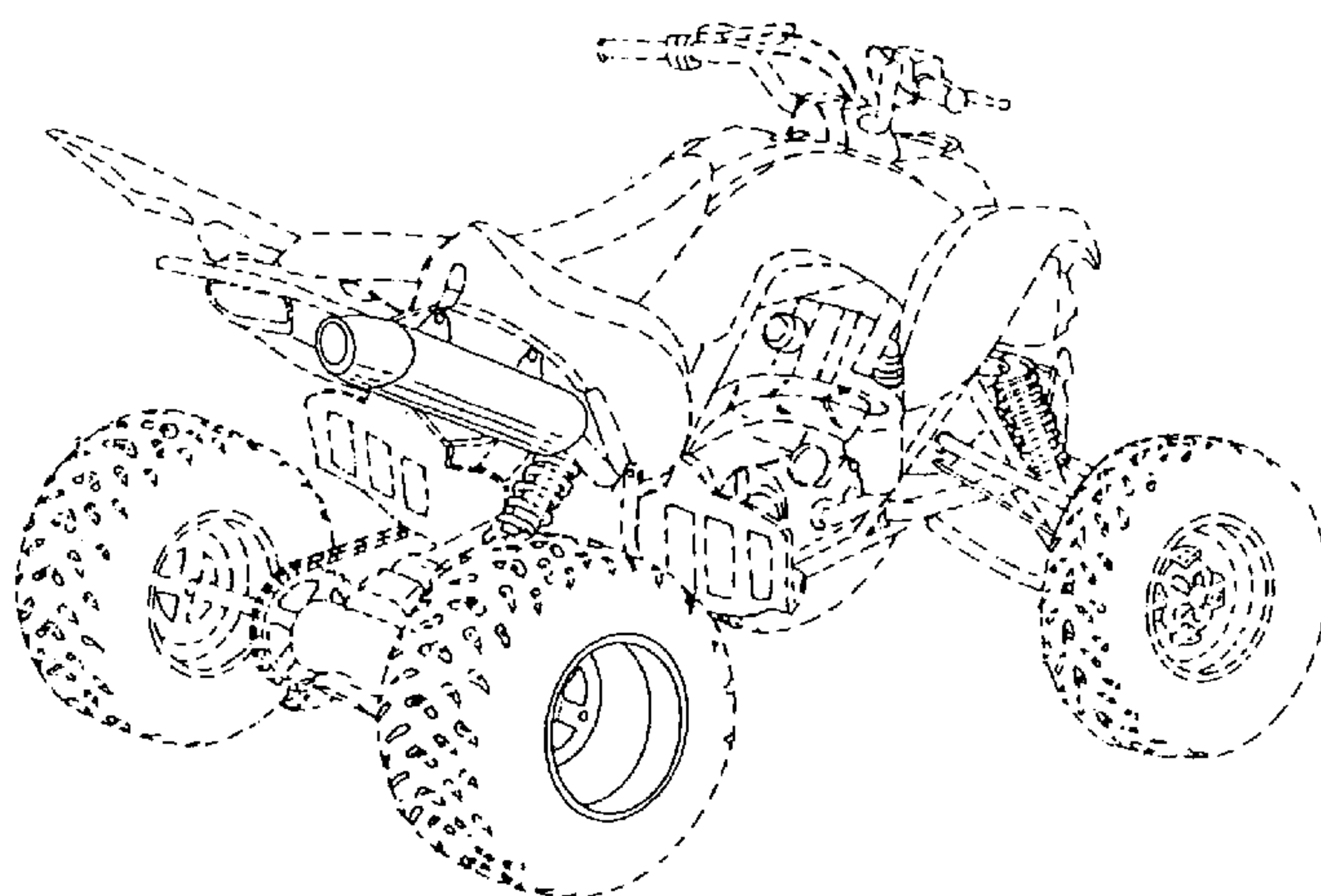


FIG. 1

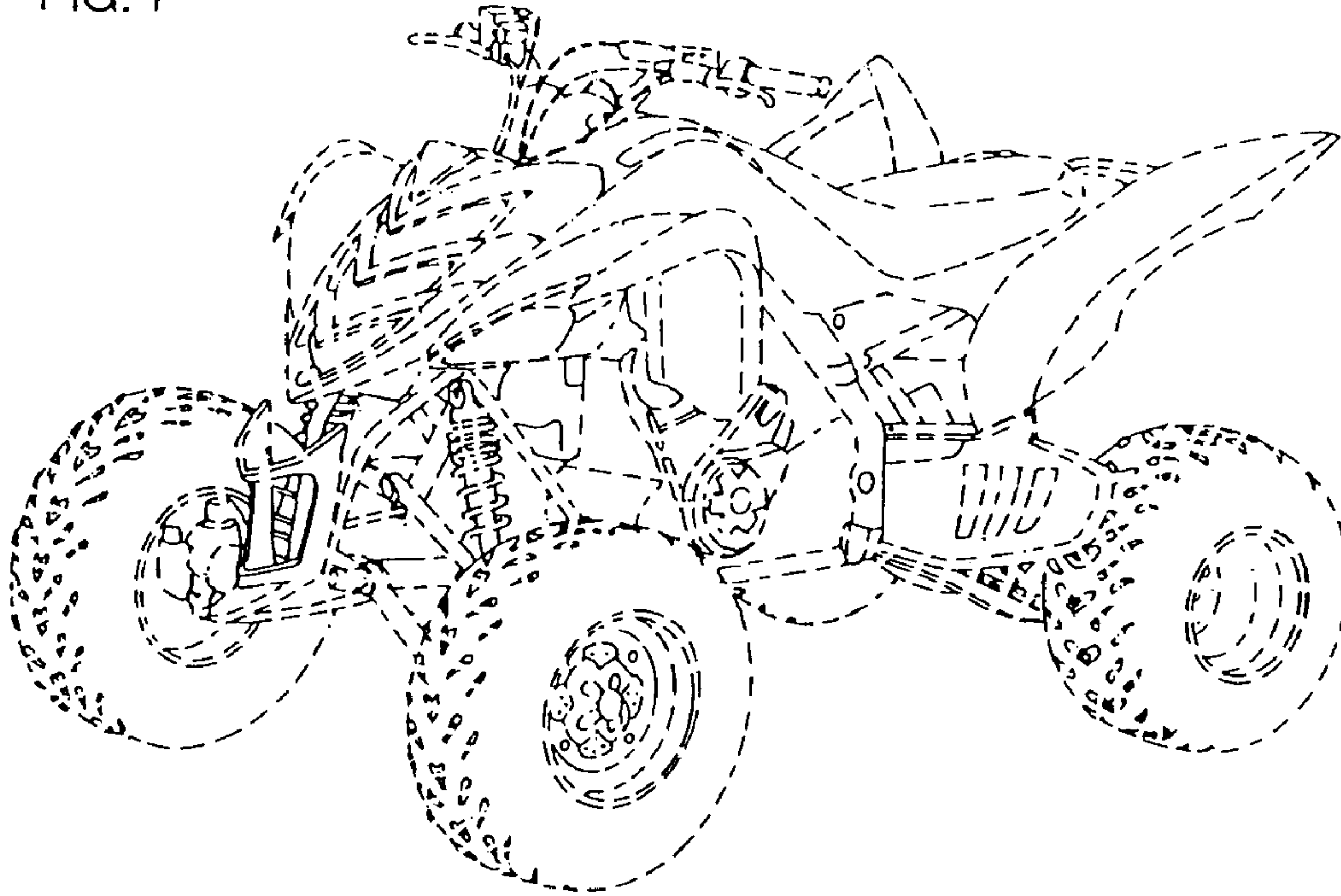


FIG. 2

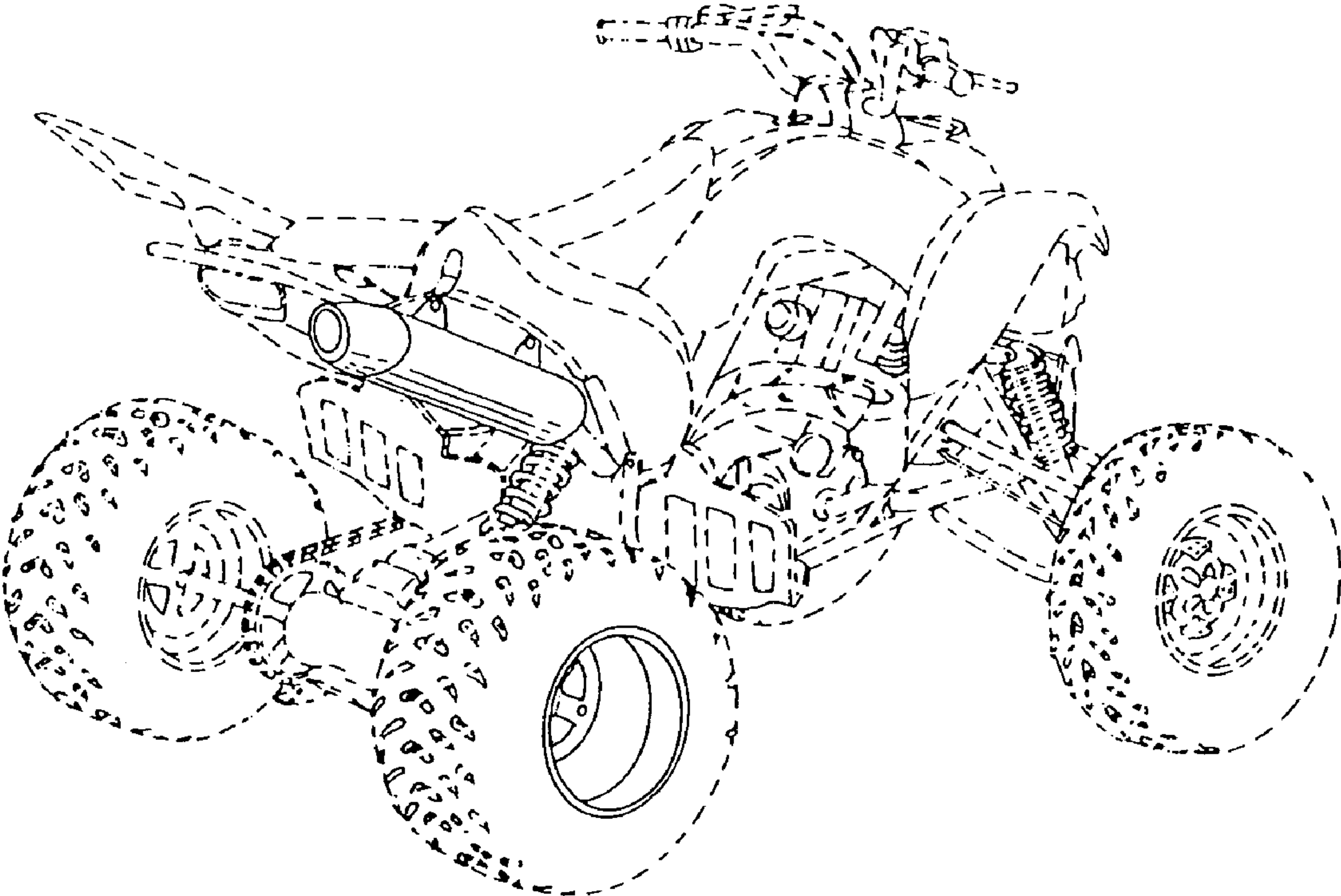




FIG. 3

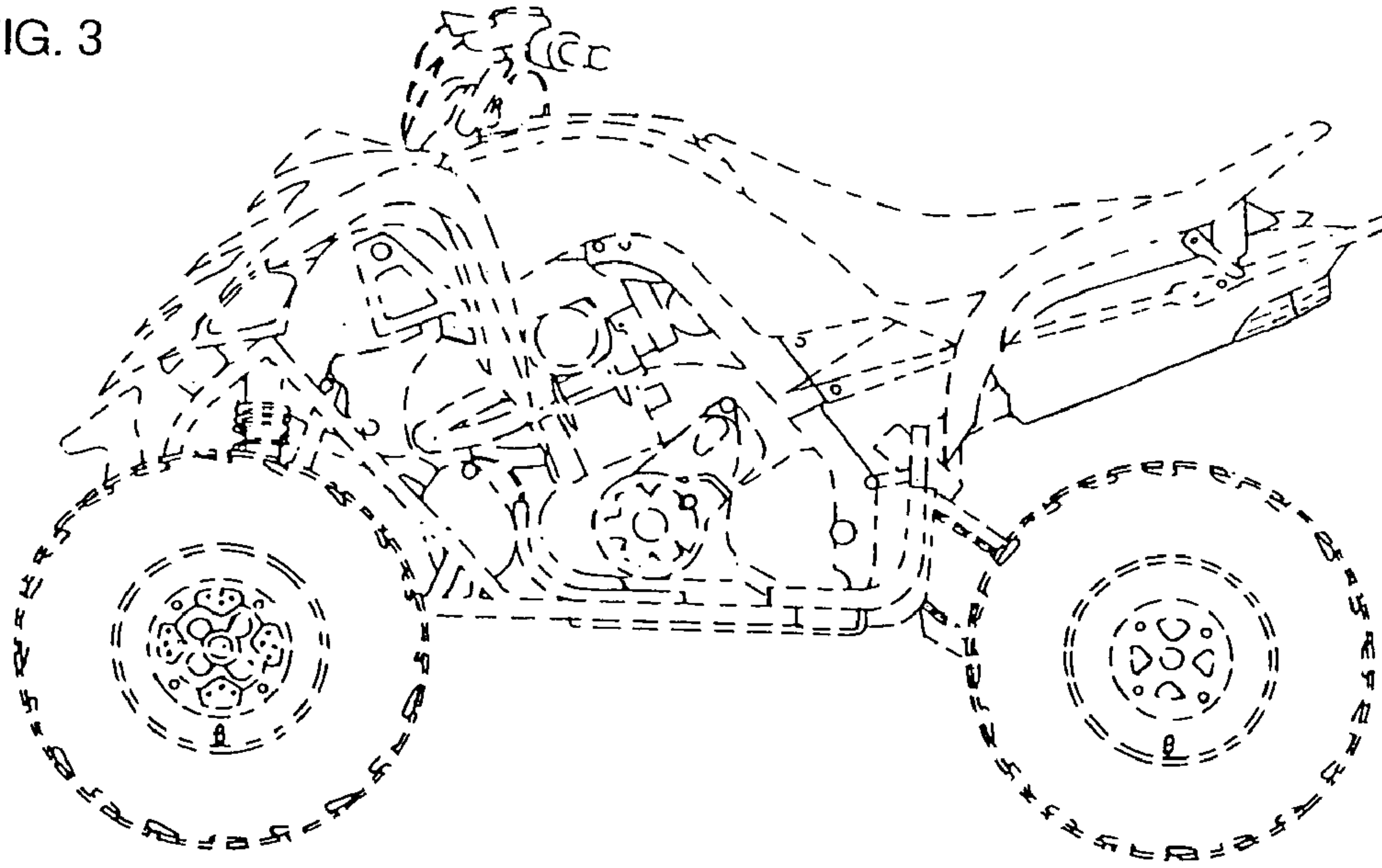


FIG. 4

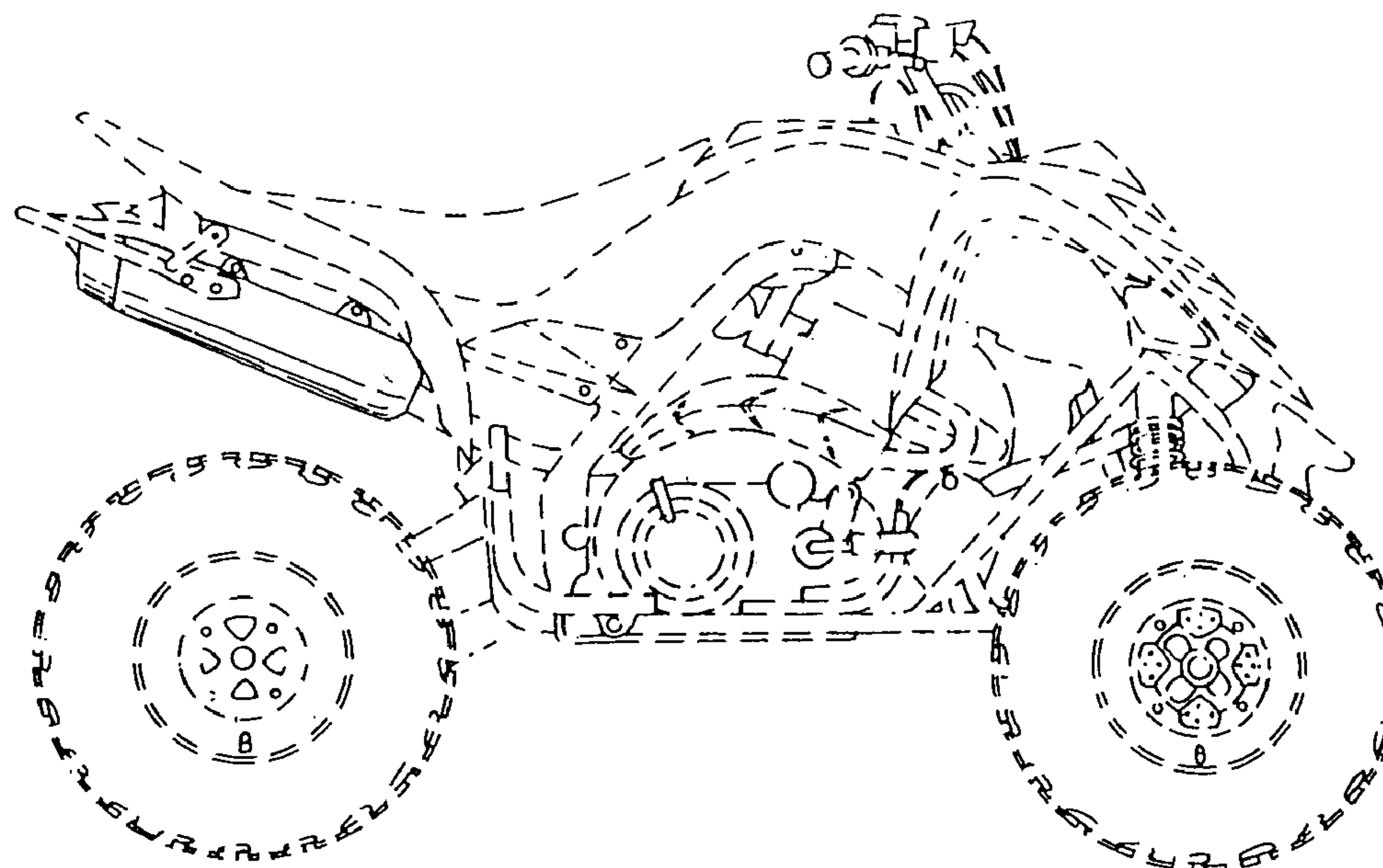


FIG. 5

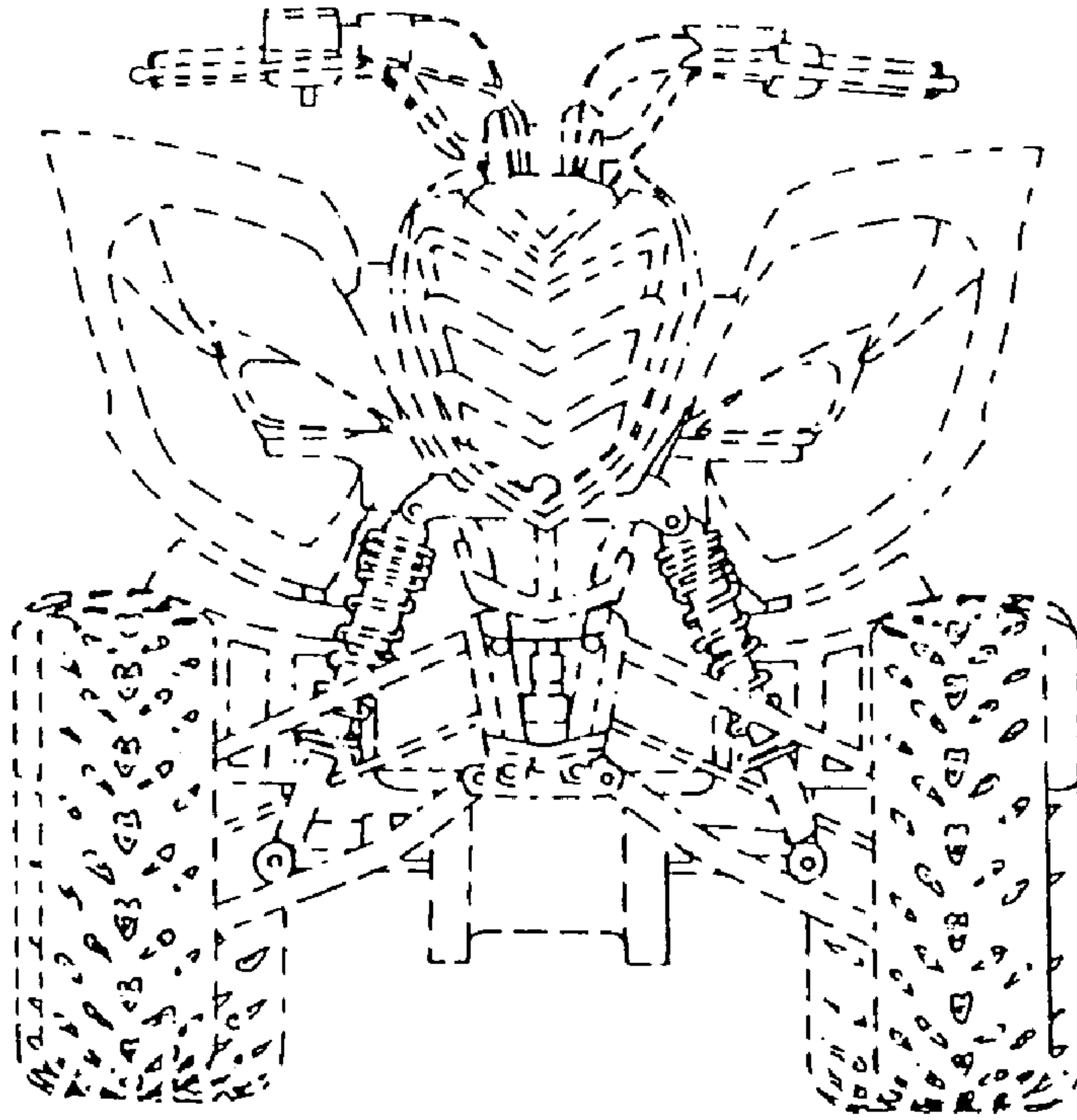


FIG. 6

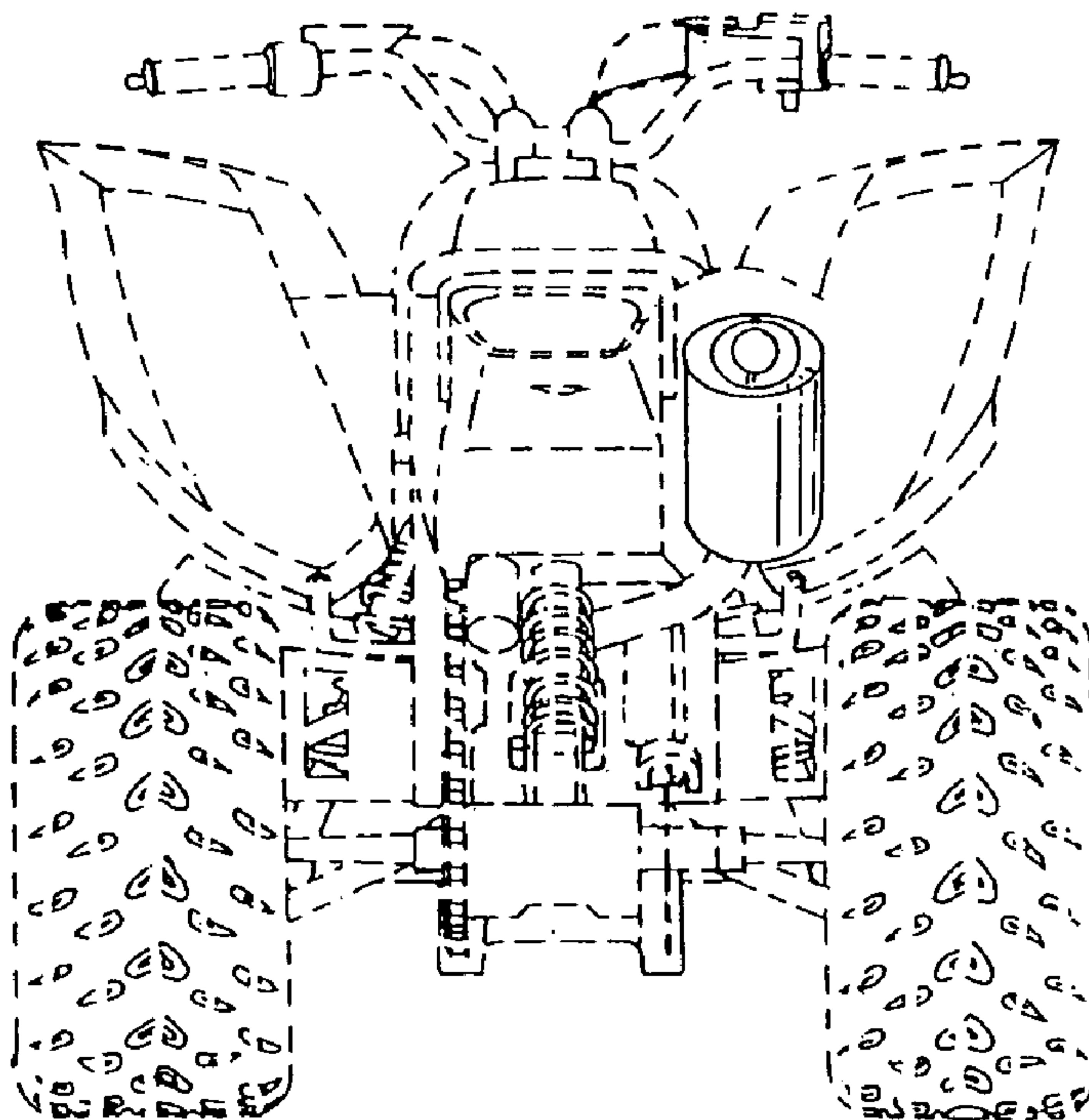


FIG. 7

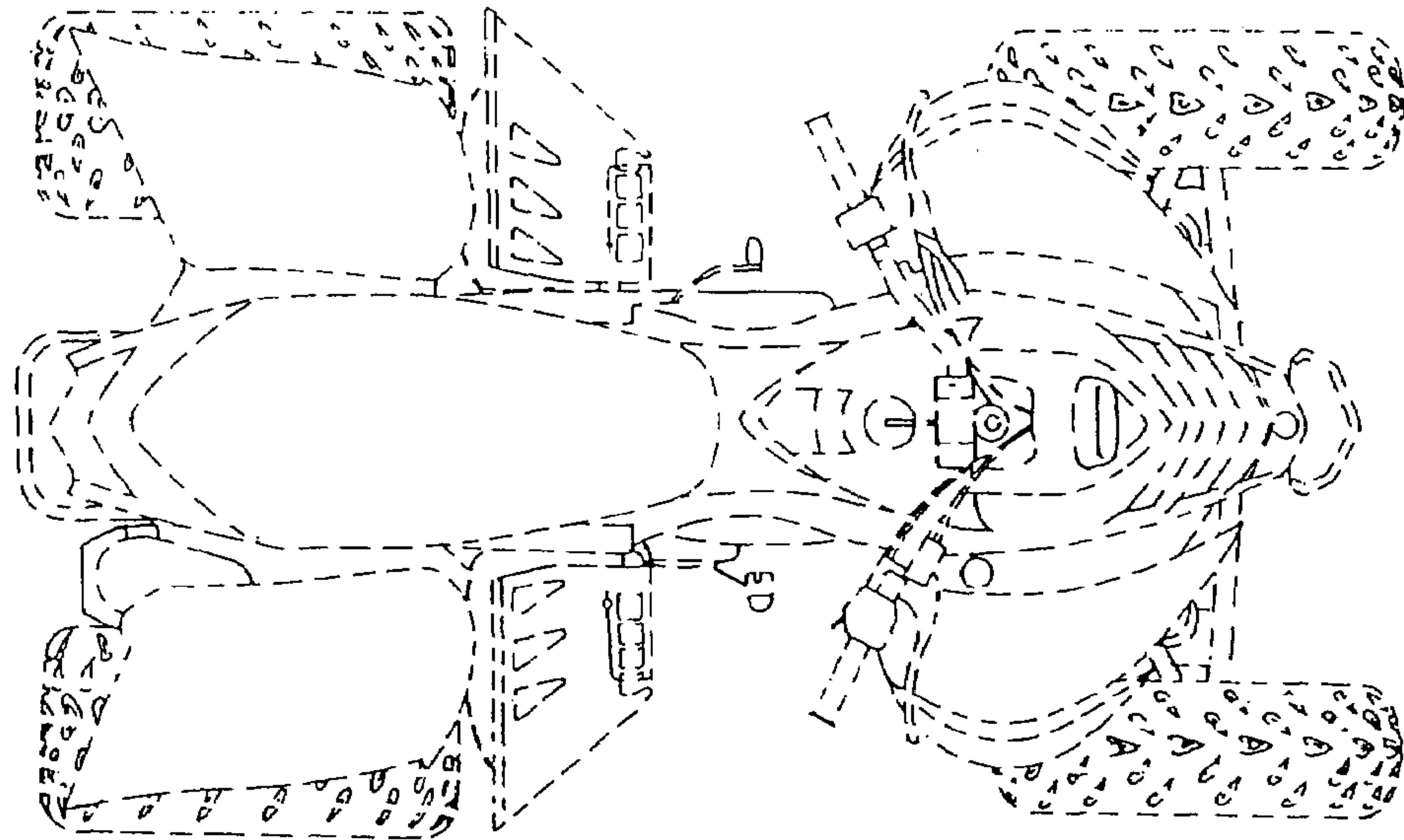


FIG. 8

