

US00D545741S

(12) **United States Design Patent**
Branham

(10) **Patent No.:** **US D545,741 S**

(45) **Date of Patent:** **** Jul. 3, 2007**

(54) **VEHICLE MIRROR ASSEMBLY**

(75) Inventor: **Michael Dean Branham**, Blythewood, SC (US)

(73) Assignee: **Lang Mekra North America, LLC**, Ridgeway, SC (US)

(**) Term: **14 Years**

(21) Appl. No.: **29/271,932**

(22) Filed: **Jan. 30, 2007**

(51) **LOC (8) Cl.** **12-16**

(52) **U.S. Cl.** **D12/187**

(58) **Field of Classification Search** D12/187-189;
359/838-851, 855-868, 871-881; 248/475.1,
248/476, 480-481, 485-487; 296/101.1
See application file for complete search history.

(56) **References Cited**

U.S. PATENT DOCUMENTS

D251,662 S *	4/1979	Hutchinson et al.	D12/187
D346,783 S *	5/1994	Brainard	D12/187
D365,073 S *	12/1995	Nagano	D12/187
D387,317 S *	12/1997	Lang	D12/187
D426,182 S *	6/2000	Brown	D12/189
D449,261 S *	10/2001	Englander	D12/187
6,398,376 B2 *	6/2002	Englander	359/864
6,709,037 B2 *	3/2004	Frazier et al.	296/1.01
D504,092 S *	4/2005	Lang et al.	D12/187
D505,897 S *	6/2005	Wade	D12/188
D530,248 S *	10/2006	Branham	D12/187

* cited by examiner

Primary Examiner—Stacia Cadmus

(74) *Attorney, Agent, or Firm*—McNair Law Firm, P.A.

(57) **CLAIM**

The ornamental design for a vehicle mirror assembly, as shown and described.

DESCRIPTION

FIG. 1 is a front perspective view of the vehicle mirror assembly design;

FIG. 2 is a front elevation view of the vehicle mirror assembly design;

FIG. 3 is a side elevation view of the vehicle mirror assembly design, with the opposite side being symmetrical thereto;

FIG. 4 is a rear elevation view of the vehicle mirror assembly design;

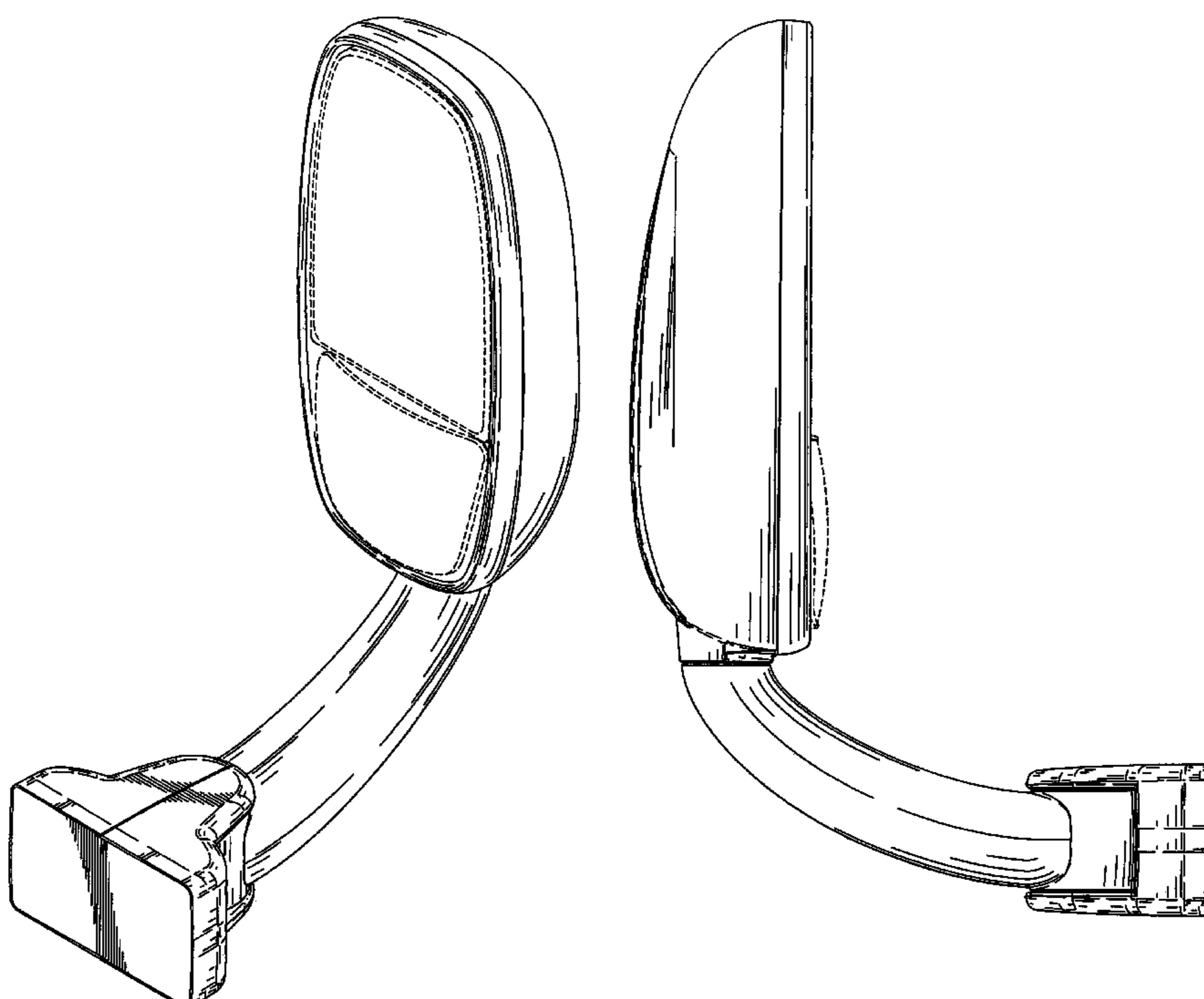
FIG. 5 is a top plan view of the vehicle mirror assembly design;

FIG. 6 is bottom plan view of the vehicle mirror assembly design; and,

FIG. 7 is a rear perspective view of the vehicle mirror assembly design.

The broken line disclosures shown in the Figures of the vehicle mirror assembly design are for illustrative purposes only and forms no part of the claimed design.

1 Claim, 6 Drawing Sheets



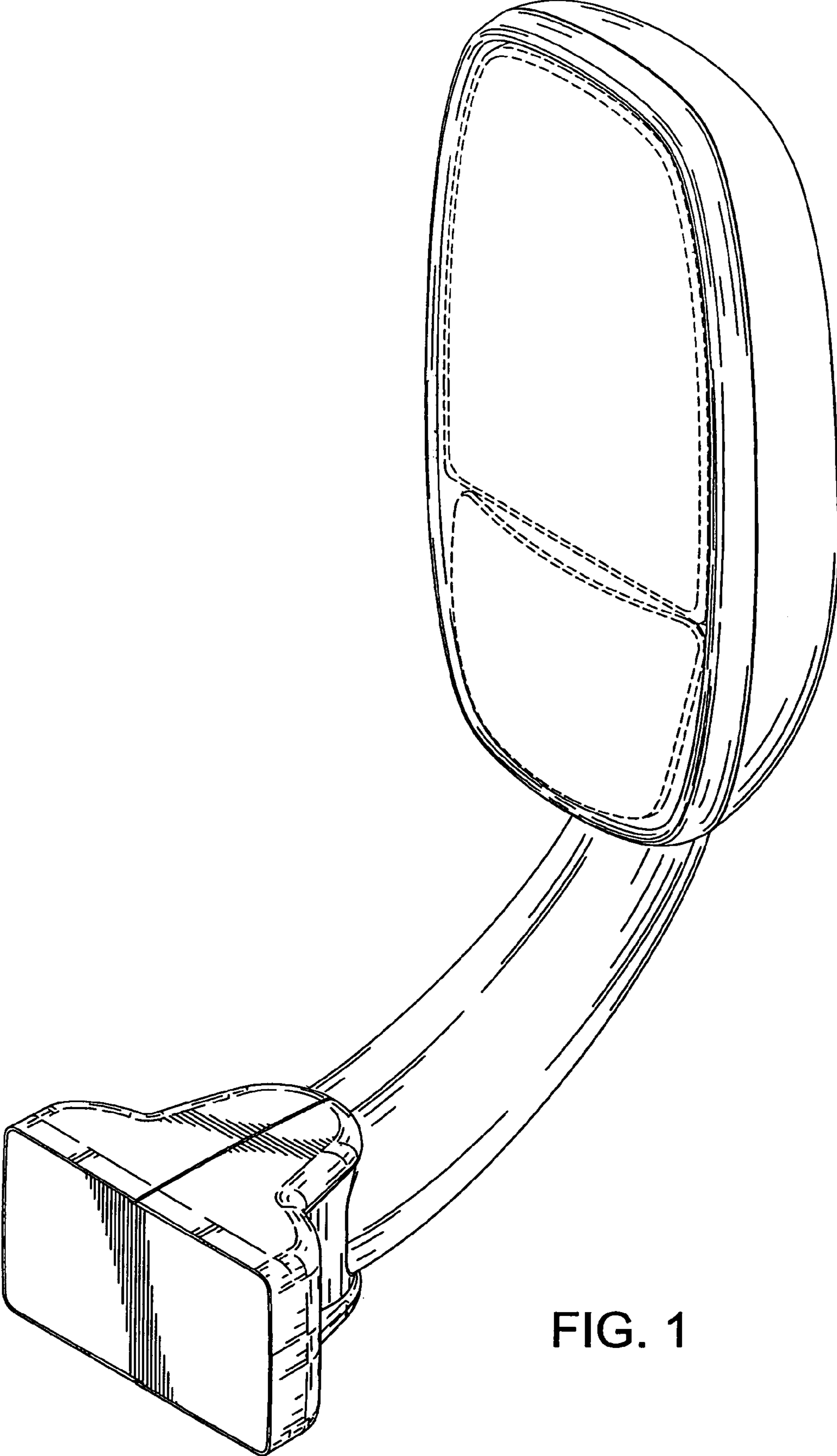


FIG. 1

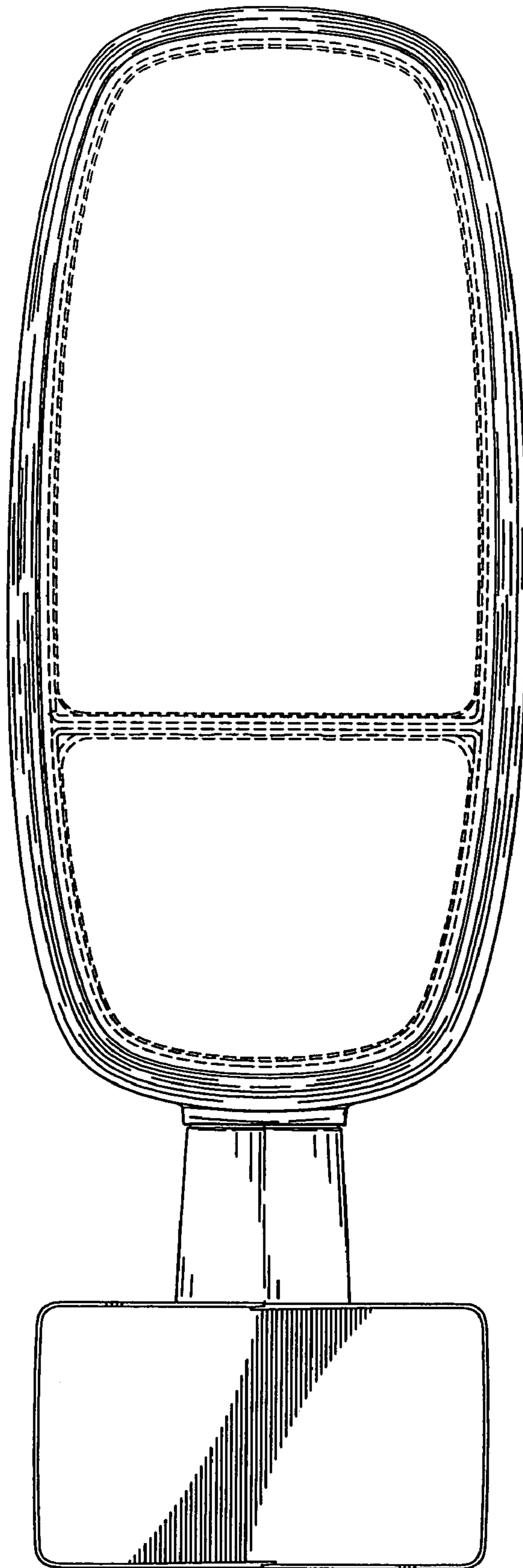


FIG. 2

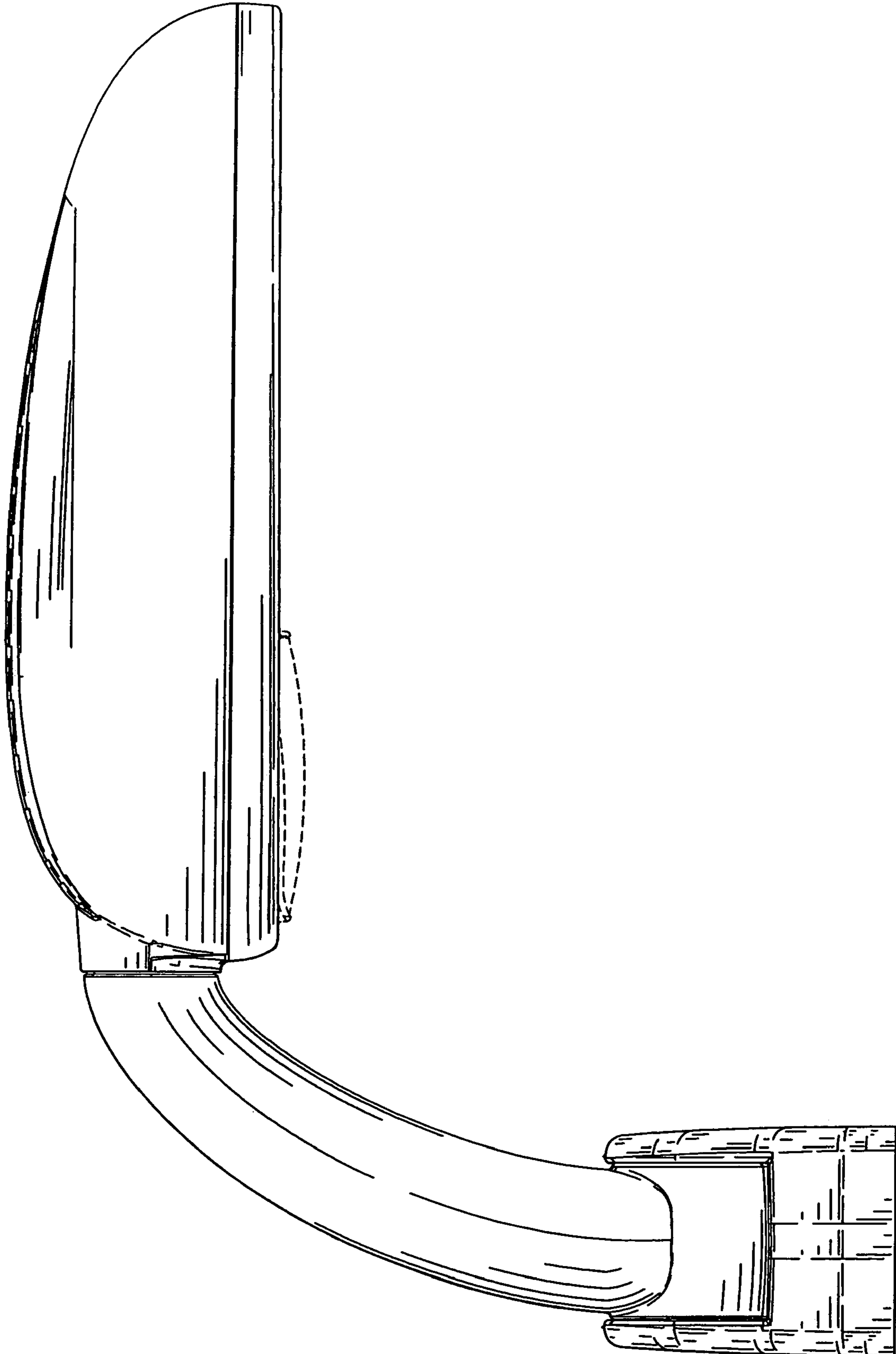


FIG. 3

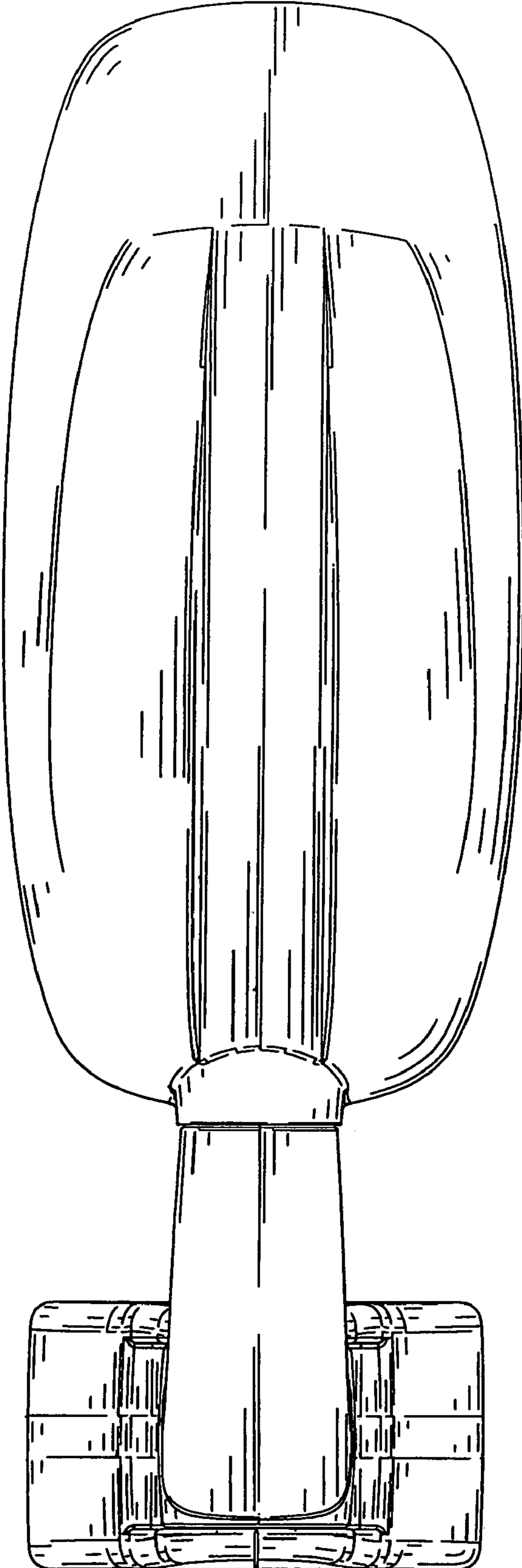


FIG. 4

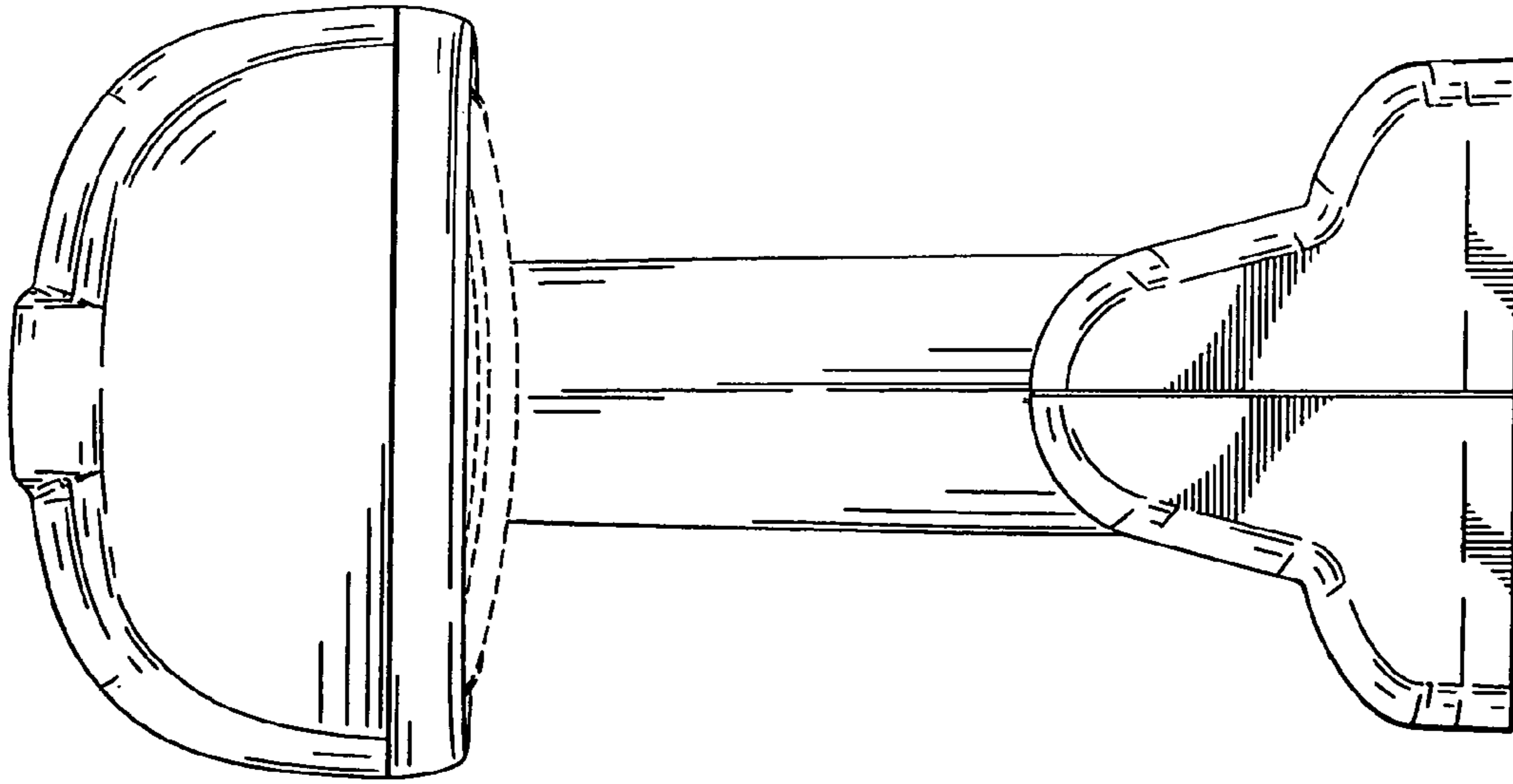


FIG. 5

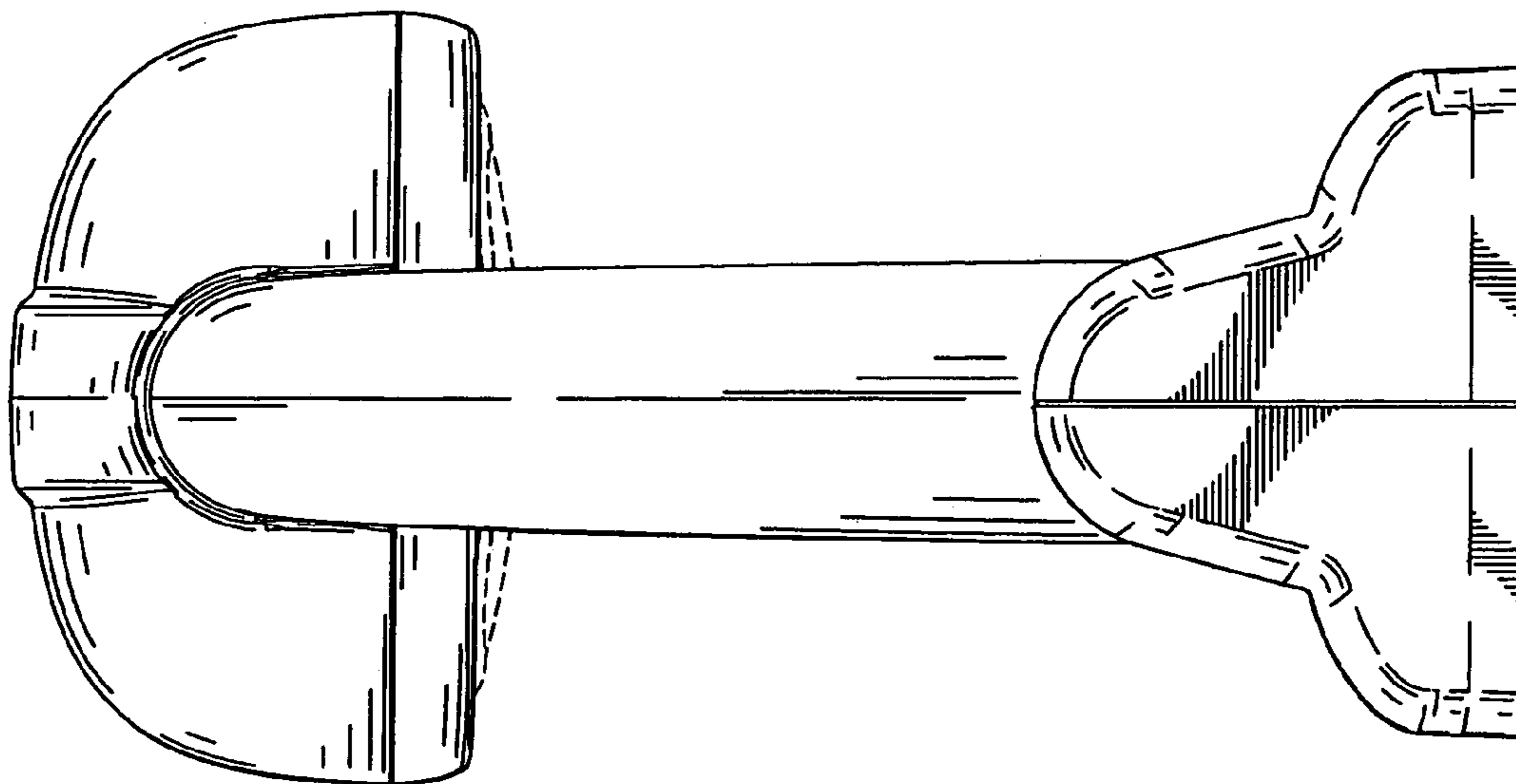


FIG. 6

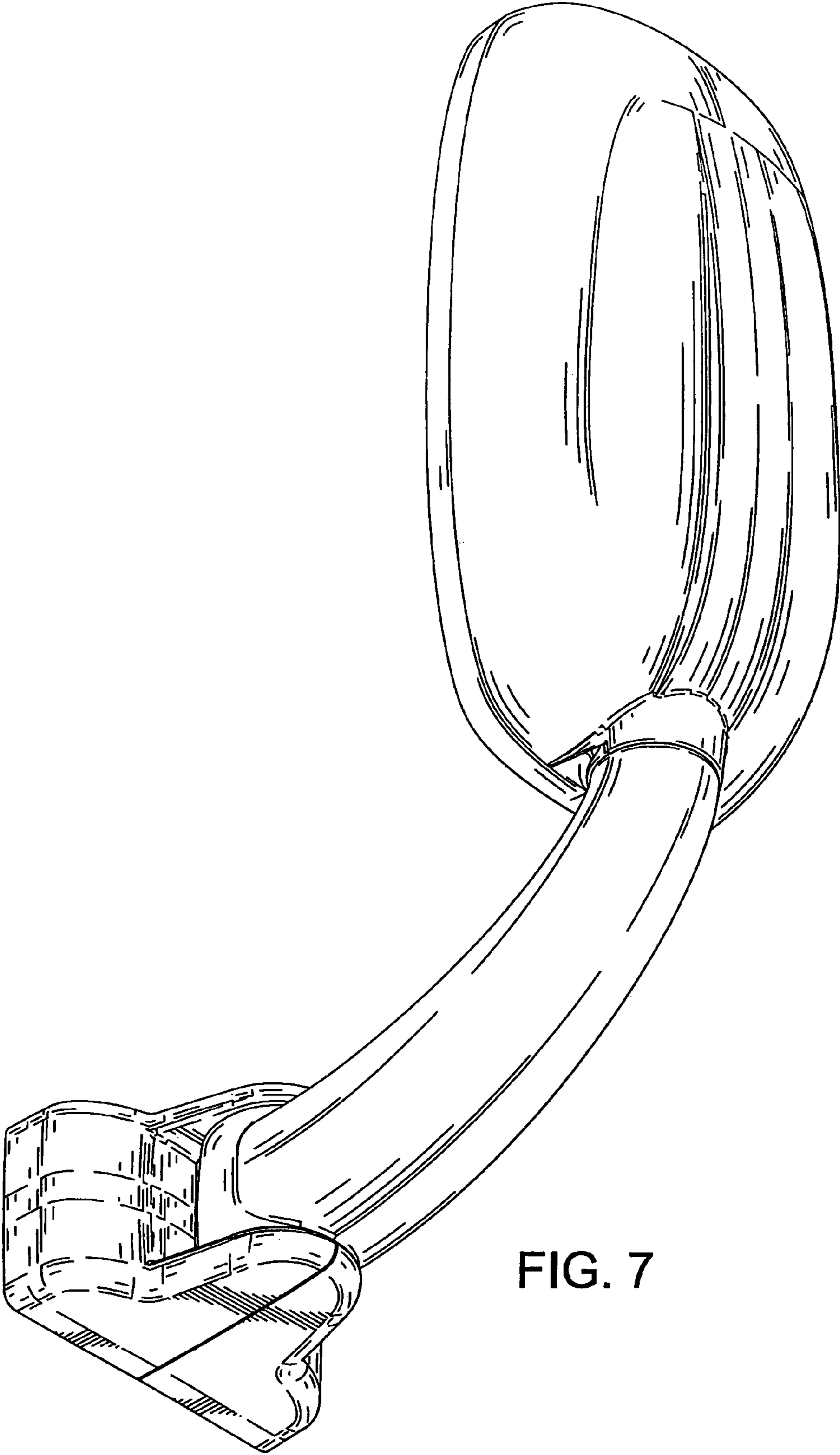


FIG. 7