



US00D545735S

(12) **United States Design Patent**  
**Angelo et al.**

(10) **Patent No.:** **US D545,735 S**

(45) **Date of Patent:** **\*\* Jul. 3, 2007**

(54) **TRUCK BODY**

(75) Inventors: **Gerald Jay Angelo**, Bellevue, WA (US); **Wayne K Simons**, Kent, WA (US); **Daniel R Kieffer**, Kirkland, WA (US); **Wallace A Peltola**, Sammamish, WA (US); **Daniel Farmer**, Coupeville, WA (US); **F Erik Tuft**, Farmington Hills, MI (US); **Steven H Hovind**, Bellevue, WA (US); **Richard D Wailes, Jr.**, Woodinville, WA (US); **Erik D Hjorten**, Everett, WA (US)

(73) Assignee: **Paccar Inc**, Bellevue, WA (US)

(\*\*) Term: **14 Years**

(21) Appl. No.: **29/265,489**

(22) Filed: **Aug. 31, 2006**

(51) **LOC (8) Cl.** ..... **12-16**

(52) **U.S. Cl.** ..... **D12/173**

(58) **Field of Classification Search** ..... D12/173,  
D12/96, 90-92; 180/69.2, 69.21, 69.22,  
180/69.25

See application file for complete search history.

(56) **References Cited**

**U.S. PATENT DOCUMENTS**

D291,872 S	9/1987	Simons et al.
D291,982 S	9/1987	Simons et al.
D307,254 S	4/1990	Koske et al.
D307,731 S	5/1990	Kerney et al.
D308,032 S	5/1990	Kerney et al.
D311,711 S	10/1990	Marlowe et al.
D312,609 S	12/1990	Preslik et al.
D312,805 S	12/1990	Marlowe et al.
D312,810 S	12/1990	Preslik et al.
D313,784 S	1/1991	Marlow et al.
D313,954 S	1/1991	Fingerle

D313,966 S	1/1991	Marlowe et al.
D316,241 S	4/1991	Ray
D319,036 S	8/1991	Fingerle
D320,582 S	10/1991	Fingerle
D320,583 S	10/1991	Simons et al.
D327,276 S	6/1992	Sorensen
D329,214 S	9/1992	Marlowe et al.

(Continued)

**OTHER PUBLICATIONS**

Kenworth Truck Company W900 brochure, Kirkland, Wash, 2005.

(Continued)

*Primary Examiner*—Melody N. Brown

(74) *Attorney, Agent, or Firm*—Christensen O'Connor Johnson Kindness PLLC

(57) **CLAIM**

The ornamental design for a truck body, as shown and described.

**DESCRIPTION**

FIG. 1 is a front perspective view of a truck body showing our new design;

FIG. 2 is a right side elevational view of the truck body of FIG. 1;

FIG. 3 is a front elevational view of the truck body of FIG. 1;

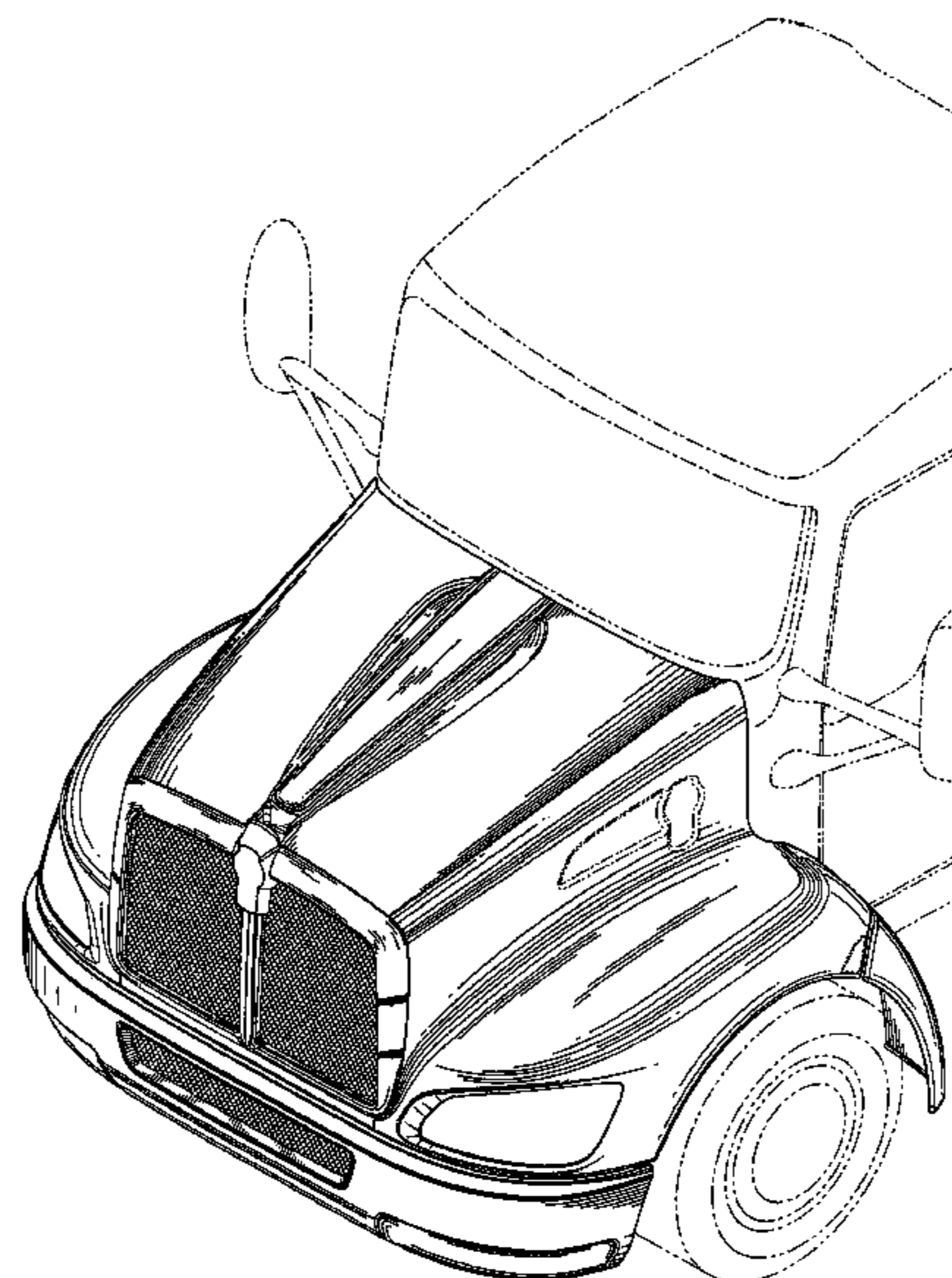
FIG. 4 is a left side elevational view of the truck body of FIG. 1;

FIG. 5 is a top plan view of the truck body of FIG. 1; and,

FIG. 6 is a rear elevational view of the truck body of FIG. 1.

The broken lines in the drawings form no part of the claimed design.

**1 Claim, 6 Drawing Sheets**



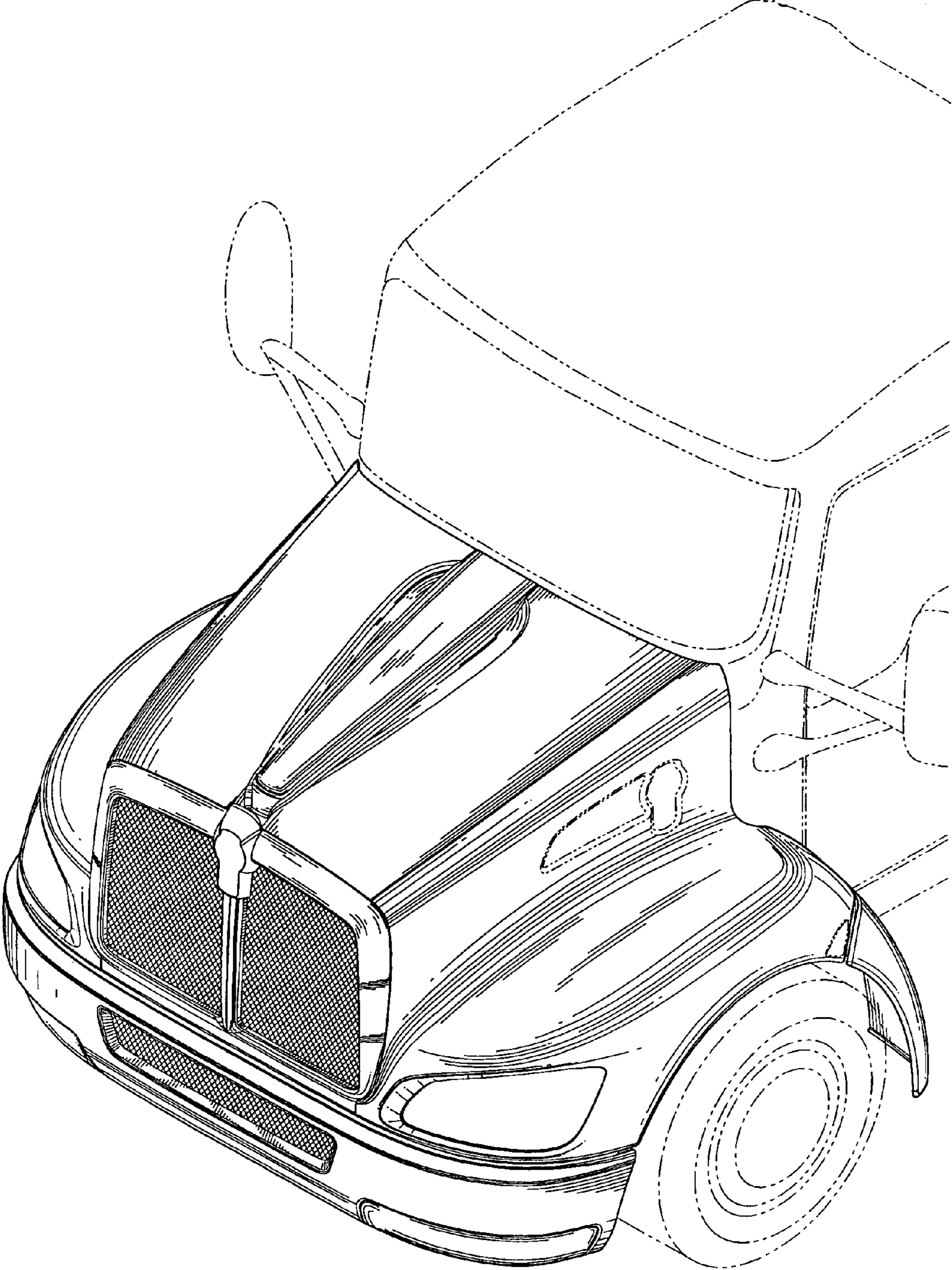
U.S. PATENT DOCUMENTS

D343,605 S	1/1994	Meryman	D478,027 S	8/2003	Chiang
D343,916 S	2/1994	King et al.	D478,028 S	8/2003	Chiang
D361,968 S	9/1995	Oyama	D478,300 S	8/2003	Chiang
D363,561 S	10/1995	Lagaay et al.	D482,302 S	11/2003	Dozier et al.
D364,371 S	11/1995	Ray et al.	D482,993 S	12/2003	Conway et al.
D366,638 S	1/1996	Tucker et al.	D483,707 S	12/2003	Satou
D366,640 S	1/1996	Tucker et al.	D484,077 S	12/2003	Conway et al.
D381,946 S	8/1997	Delashaw et al.	D484,261 S	12/2003	Liao
D381,949 S	8/1997	Barrett, Jr. et al.	D485,381 S	1/2004	Lung
D382,841 S	8/1997	Norwood et al.	D486,102 S	2/2004	Perfetti et al.
D382,844 S	8/1997	Norwood et al.	D488,112 S	4/2004	Satou
D384,019 S	9/1997	Meryman et al.	D488,749 S	4/2004	Ikuma et al.
D389,108 S	1/1998	Norwood et al.	D490,560 S	5/2004	Zyskowski
D391,212 S	2/1998	Meryman et al.	D490,749 S	6/2004	Satou et al.
D395,848 S	7/1998	Meryman et al.	D491,848 S	6/2004	Metros et al.
D395,860 S	7/1998	Meryman et al.	D492,627 S	7/2004	Metros et al.
D400,835 S	11/1998	Le Quement et al.	D492,628 S	7/2004	Bond et al.
D401,198 S	11/1998	Mueller et al.	D492,921 S	7/2004	Perfetti et al.
D403,636 S	1/1999	Meryman et al.	D493,552 S	7/2004	Metros et al.
D405,037 S	2/1999	Meryman et al.	D493,902 S	8/2004	Hoelzel et al.
D411,140 S	6/1999	Meryman et al.	D494,293 S	8/2004	Pfeiffer
D411,494 S	6/1999	Meryman et al.	D494,898 S	8/2004	Metros et al.
D412,689 S	8/1999	Onopa	D494,900 S	8/2004	Satou
D412,874 S	8/1999	Meryman et al.	D495,071 S	8/2004	Pfeiffer
D414,571 S	9/1999	Schneider et al.	D496,620 S	9/2004	Perfetti et al.
D421,817 S	3/2000	Tucker et al.	D497,577 S	10/2004	Metros et al.
D422,251 S	4/2000	Bader et al.	D497,581 S	10/2004	Conway et al.
D423,429 S	4/2000	Hickman et al.	D498,010 S	11/2004	Pfeiffer et al.
D423,990 S	5/2000	Meryman et al.	D498,314 S	11/2004	Pfeiffer et al.
D424,489 S	5/2000	Damon et al.	D498,716 S	11/2004	Maeda et al.
D424,993 S	5/2000	Farzam	D499,496 S	12/2004	Papke et al.
D425,450 S	5/2000	Barracough et al.	D499,679 S	12/2004	Perfetti et al.
D425,835 S	5/2000	Cook et al.	D499,822 S	12/2004	Pfeiffer
D426,905 S	6/2000	Cook et al.	D500,565 S	1/2005	Hoelzel et al.
D429,669 S	8/2000	Cook et al.	D502,897 S	3/2005	Delashaw et al.
D431,806 S	10/2000	Damon et al.	D502,901 S	3/2005	Delashaw et al.
D432,492 S	10/2000	Waskow et al.	D502,904 S	3/2005	Delashaw et al.
D433,967 S	11/2000	Delashaw et al.	D504,186 S	4/2005	Pfeiffer
D433,980 S	11/2000	Conway et al.	D504,642 S	5/2005	Perfetti et al.
D433,981 S	11/2000	Davis et al.	D504,850 S	5/2005	Gunter et al.
D434,347 S	11/2000	Damon et al.	D506,842 S	6/2005	Nagura et al.
D434,348 S	11/2000	Delashaw et al.	D507,362 S	7/2005	Minami
D434,358 S	11/2000	Conway et al.	D512,666 S	12/2005	Chiang
D435,816 S	1/2001	Delashaw et al.	D514,483 S	2/2006	Chiang
D436,563 S	1/2001	Delashaw et al.	D515,474 S	2/2006	Wu
D436,894 S	1/2001	Barracough et al.	D518,761 S	4/2006	Chiang
D437,258 S	2/2001	Meryman et al.	D519,067 S	4/2006	Steere et al.
D437,570 S	2/2001	Meryman et al.	D519,068 S	4/2006	Clark et al.
D442,132 S	5/2001	Weidhase	D519,069 S	4/2006	Clark et al.
D443,853 S	6/2001	Barracough et al.	D522,426 S	6/2006	Beigel et al.
D446,175 S	8/2001	Hoyle, Jr.	D522,945 S	6/2006	Beigel et al.
D450,277 S	11/2001	Onopa	D532,350 S	* 11/2006	Angelo et al. .... D12/173
D452,464 S	12/2001	Beigel			
D455,381 S	4/2002	Maher et al.			
D458,397 S	6/2002	Horowitz			
D460,023 S	7/2002	Beigel			
D465,749 S	11/2002	Beigel			
D466,450 S	12/2002	Maher et al.			
D466,847 S	12/2002	Waskow et al.			
D470,956 S	2/2003	Horowitz			
D471,494 S	3/2003	Chan			
D475,657 S	6/2003	Wong et al.			
D475,663 S	6/2003	Chiang			
D475,664 S	6/2003	Chiang			
D476,929 S	7/2003	Dozier et al.			
D477,427 S	7/2003	Mazziotti			

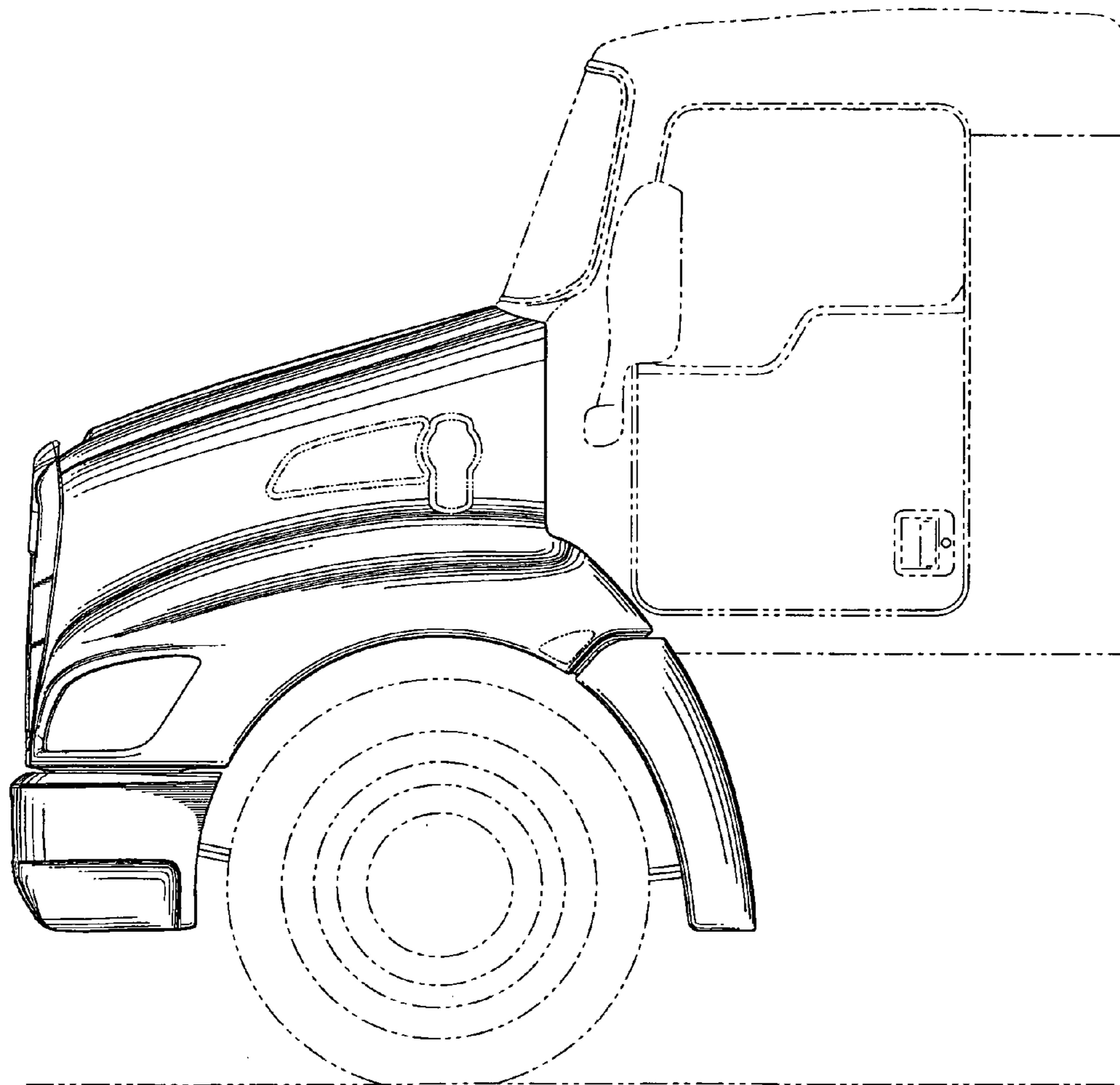
OTHER PUBLICATIONS

Kenworth Truck Company W900 brochure, Kirkland, Wash, 2002.  
 Kenworth Truck Company W900 brochure, Kirkland, Wash, 1996.  
 Kenworth Truck Company T2000 brochure, Kirkland, Wash, 2005.  
 Kenworth Truck Company T2000 brochure, Kirkland, Wash, 2002.  
 Kenworth Truck Company T800 brochure, Kirkland, Wash, 2005.  
 Kenworth Truck Company T800 brochure, Kirkland, Wash, 2003.  
 Kenworth Truck Company T800 brochure, Kirkland, Wash, 2002.  
 Kenworth Truck Company T600 brochure, Kirkland, Wash, 2005.  
 Kenworth Truck Company T600 brochure, Kirkland, Wash, 2002.  
 Kenworth Truck Company T600 brochure, Kirkland, Wash, 1996.  
 Kenworth Truck Company T300 brochure, Kirkland, Wash, 2005.  
 Kenworth Truck Company T300 brochure, Kirkland, Wash, 2001.

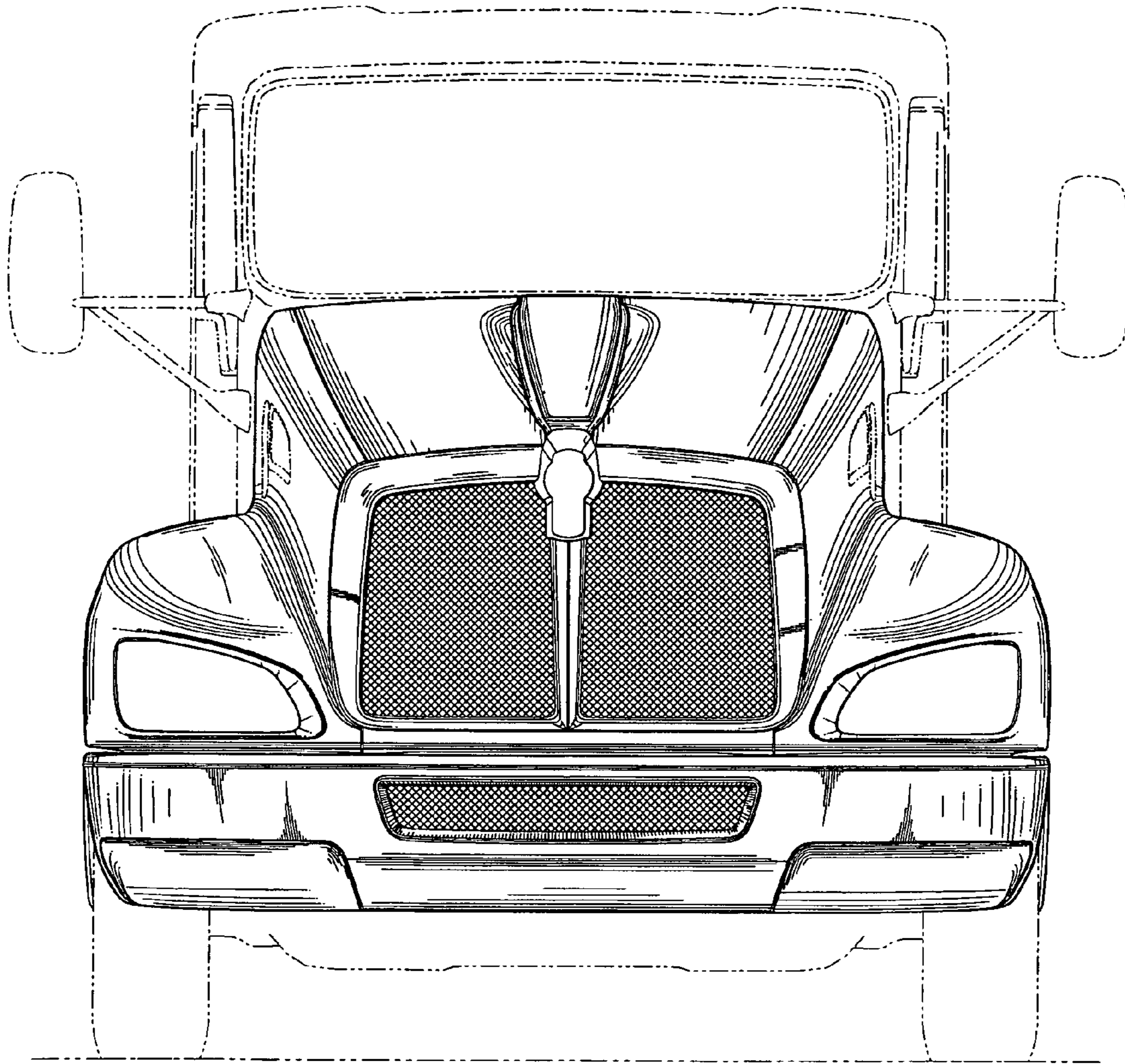
\* cited by examiner



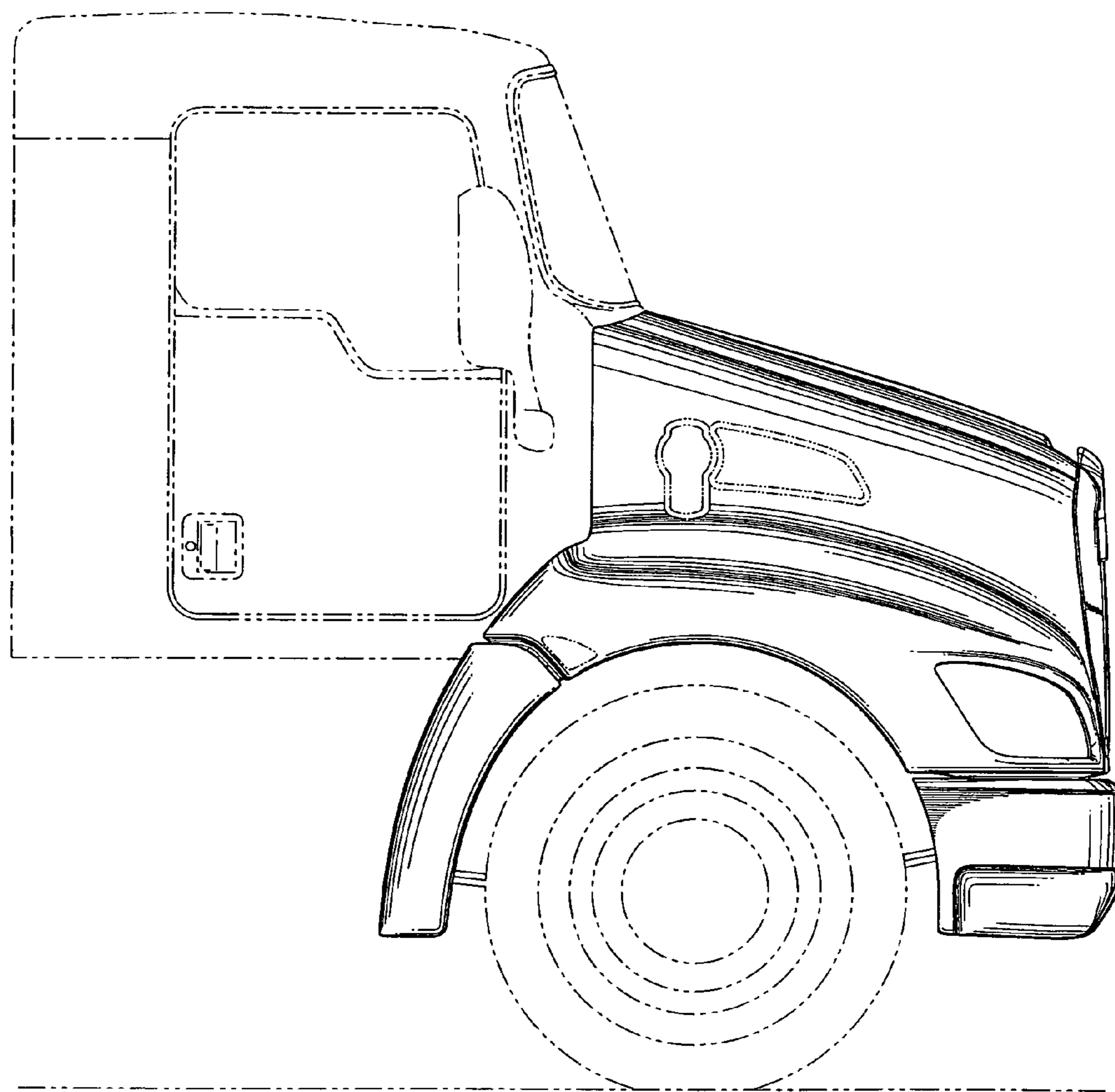
*Fig. 1.*



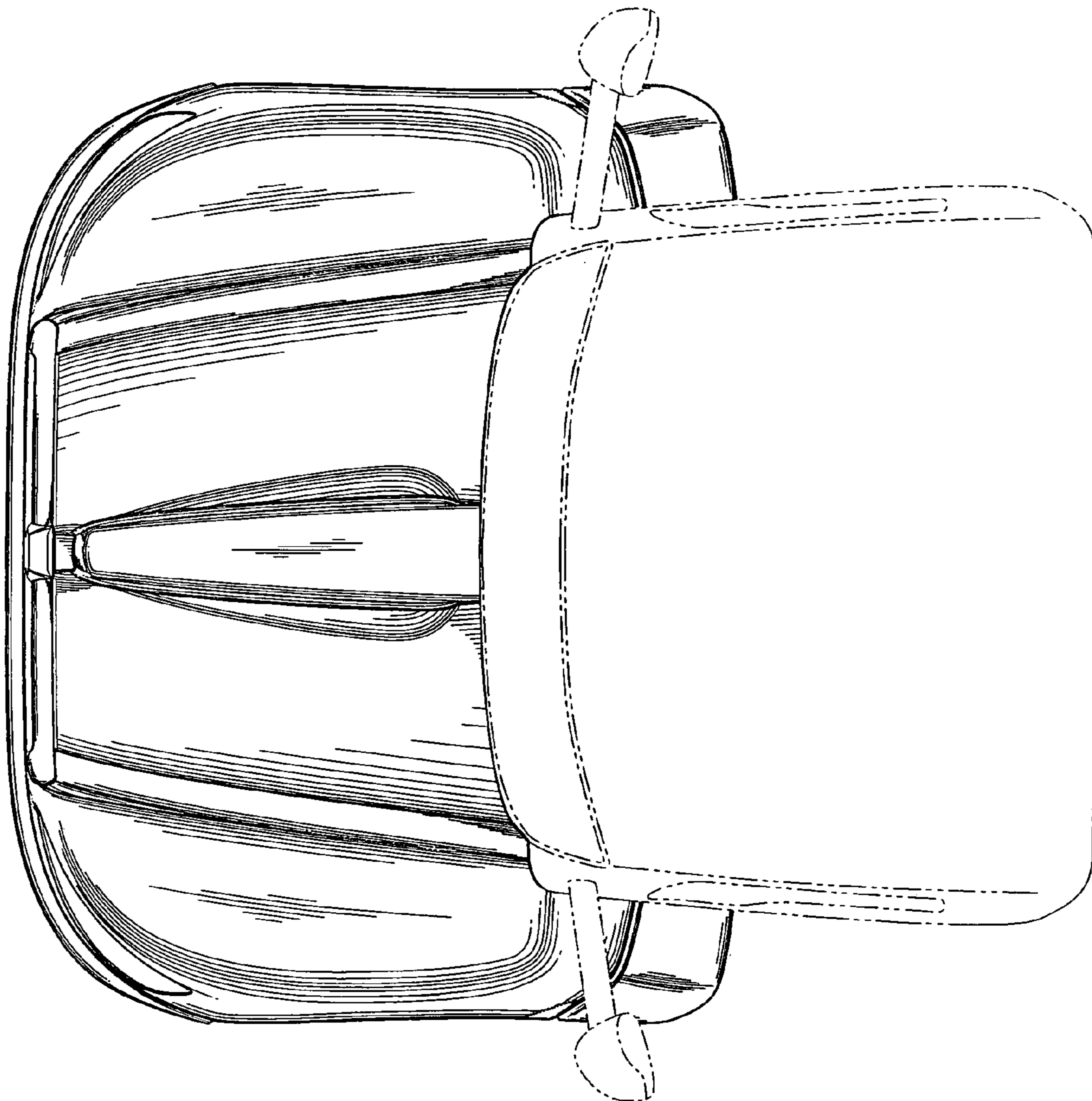
*Fig. 2.*



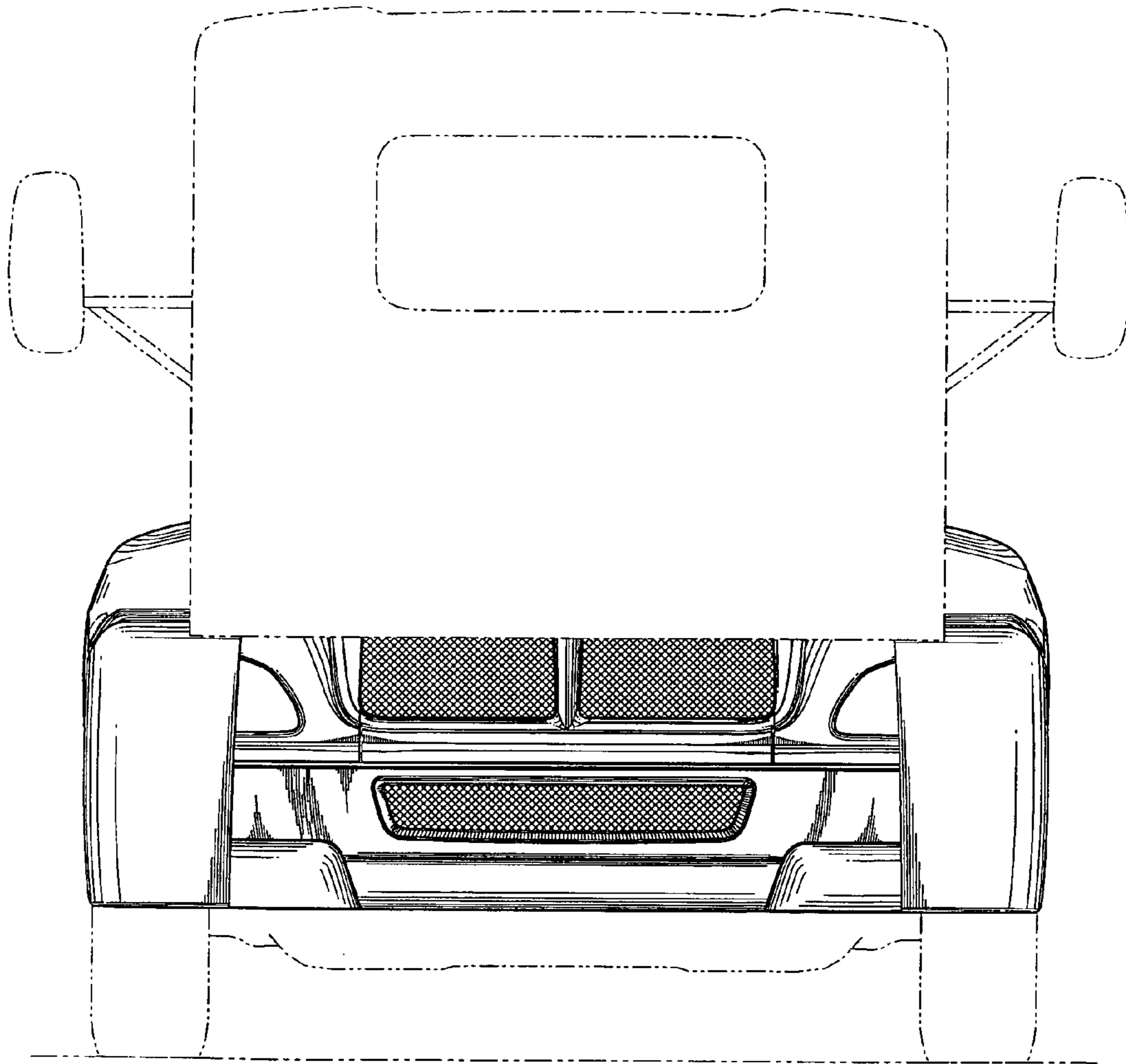
*Fig.3.*



*Fig. 4.*



*Fig. 5.*



*Fig. 6.*



UNITED STATES PATENT AND TRADEMARK OFFICE  
**CERTIFICATE OF CORRECTION**

PATENT NO. : Des. 545,735 S  
APPLICATION NO. : 29/265489  
DATED : July 3, 2007  
INVENTOR(S) : G. J. Angelo et al.

Page 1 of 1

It is certified that error appears in the above-identified patent and that said Letters Patent is hereby corrected as shown below:

<u>COLUMN</u>	<u>LINE</u>	<u>ERROR</u>
On the Title page Item (73) Pg. 1, col. 1	Assignee	<b>“Paccar Inc,”</b> should read <b>--PACCAR Inc,--</b>

Signed and Sealed this

Eighth Day of July, 2008



JON W. DUDAS

*Director of the United States Patent and Trademark Office*