



US00D545734S

(12) **United States Design Patent**
Kono

(10) **Patent No.:** **US D545,734 S**

(45) **Date of Patent:** **** Jul. 3, 2007**

(54) **REAR BUMPER OF AUTOMOBILES**

D533,816 S * 12/2006 Golden et al. D12/169
D533,818 S * 12/2006 Kitazumi et al. D12/169

(75) Inventor: **Taku Kono**, Wako (JP)

* cited by examiner

(73) Assignee: **Honda Motor Co., Ltd.**, Tokyo (JP)

Primary Examiner—Melody N. Brown

(**) Term: **14 Years**

(74) *Attorney, Agent, or Firm*—Birch, Stewart, Kolasch & Birch, LLP

(21) Appl. No.: **29/262,170**

(57) **CLAIM**

(22) Filed: **Jun. 28, 2006**

The ornamental design for a rear bumper of automobiles, as shown and described.

(30) **Foreign Application Priority Data**

Dec. 28, 1908 (JP) 2005-038851

DESCRIPTION

(51) **LOC (8) Cl.** **12-16**

FIG. 1 is a front view of a rear bumper of automobiles showing my new design;

(52) **U.S. Cl.** **D12/169**

FIG. 2 is a plan view thereof;

(58) **Field of Classification Search** D12/90-92,
D12/86, 169, 196, 163; 296/180.1, 180.2;
293/102, 113, 115, 117, 120

FIG. 3 is a bottom view thereof;

See application file for complete search history.

FIG. 4 is a right side view thereof, and,

FIG. 5 is a front perspective view thereof.

(56) **References Cited**

The broken lines shown in FIGS. 1-5 are for the purpose of showing environmental structure only and form no part of the claimed design.

U.S. PATENT DOCUMENTS

D516,969 S * 3/2006 Honda et al. D12/169

D532,346 S * 11/2006 Tachibana D12/169

1 Claim, 3 Drawing Sheets

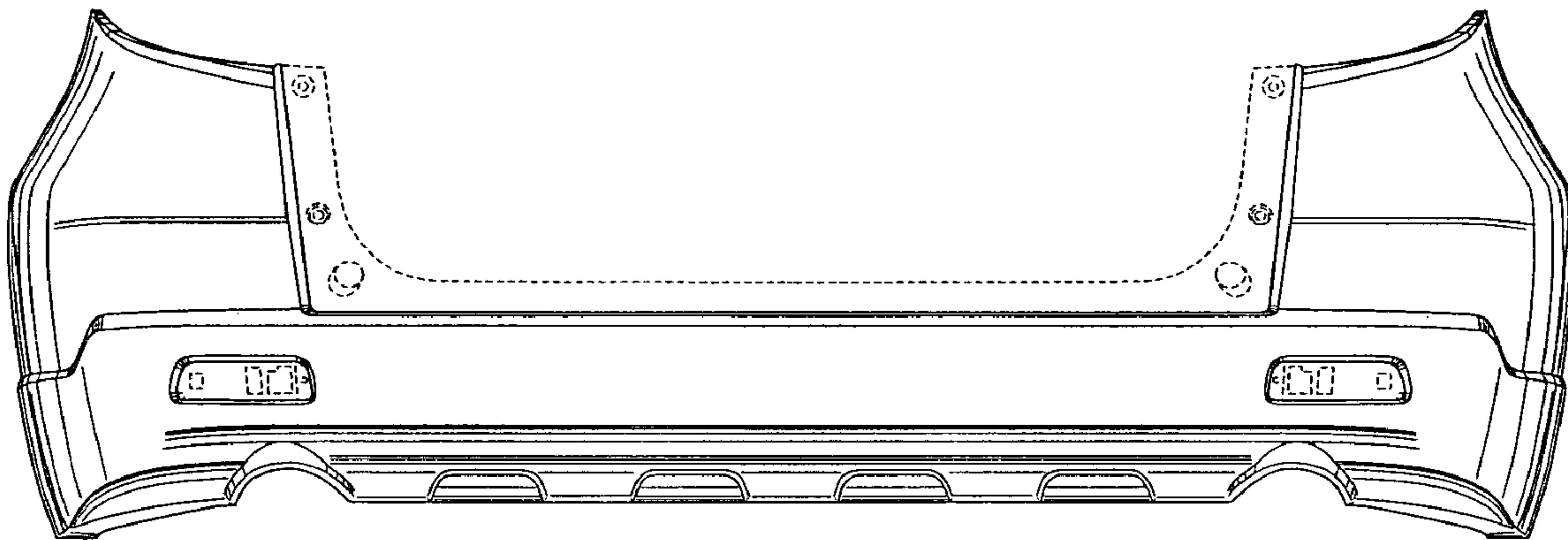


FIG.1

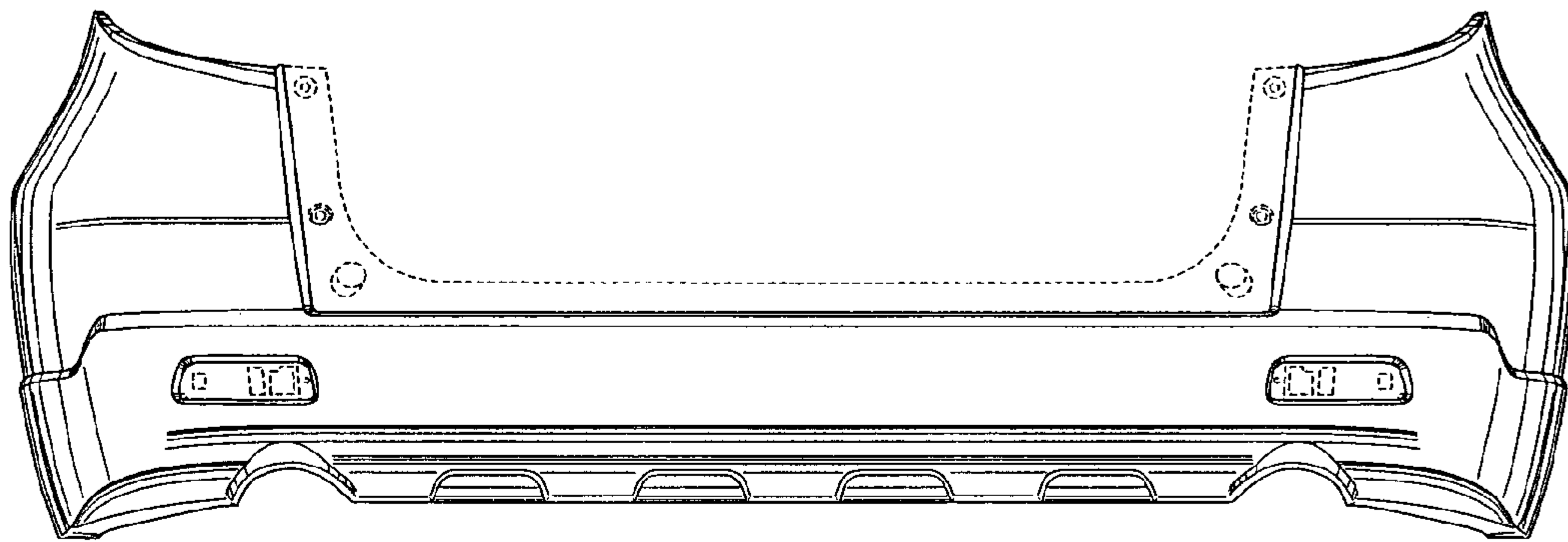


FIG.2

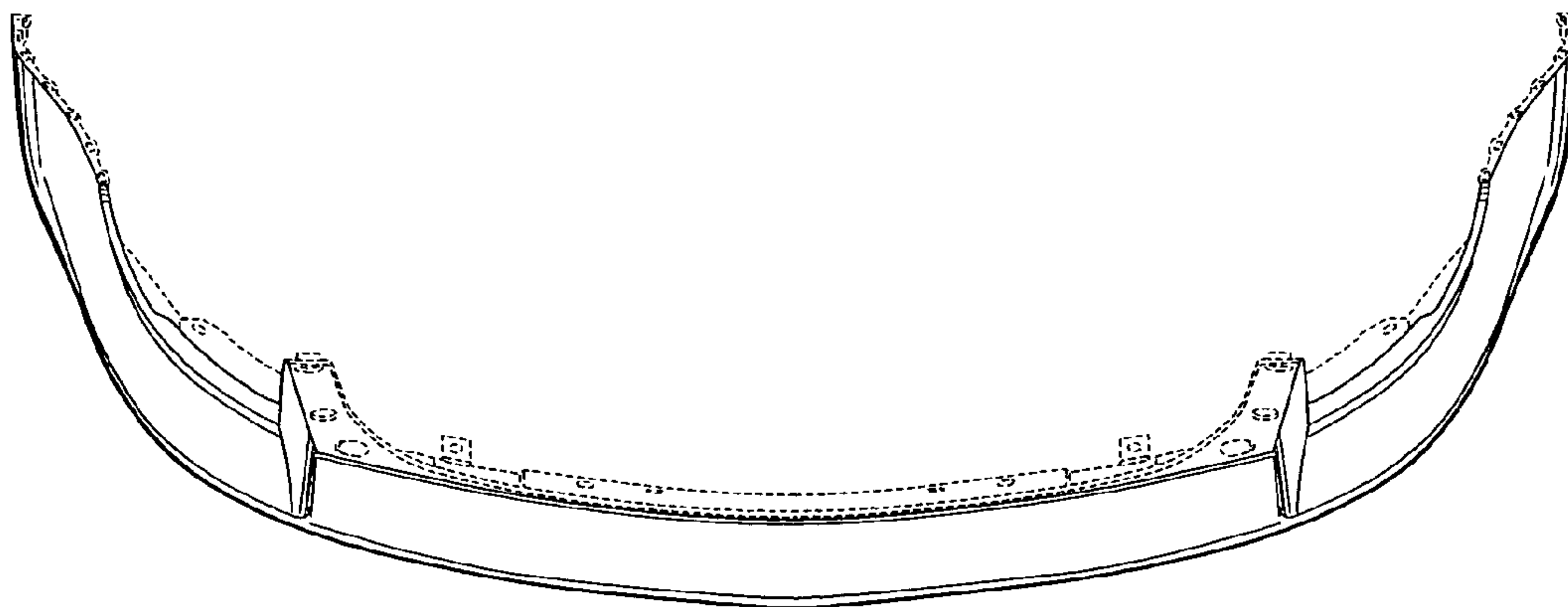


FIG.3

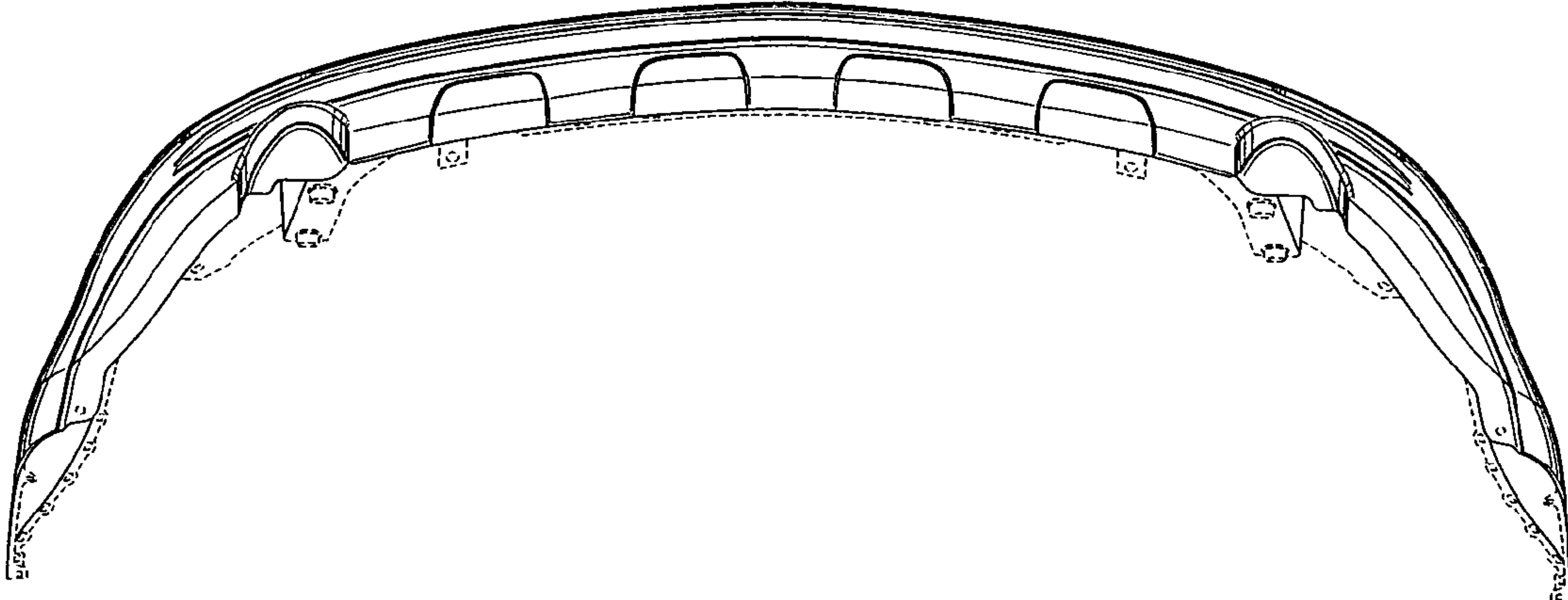


FIG.4

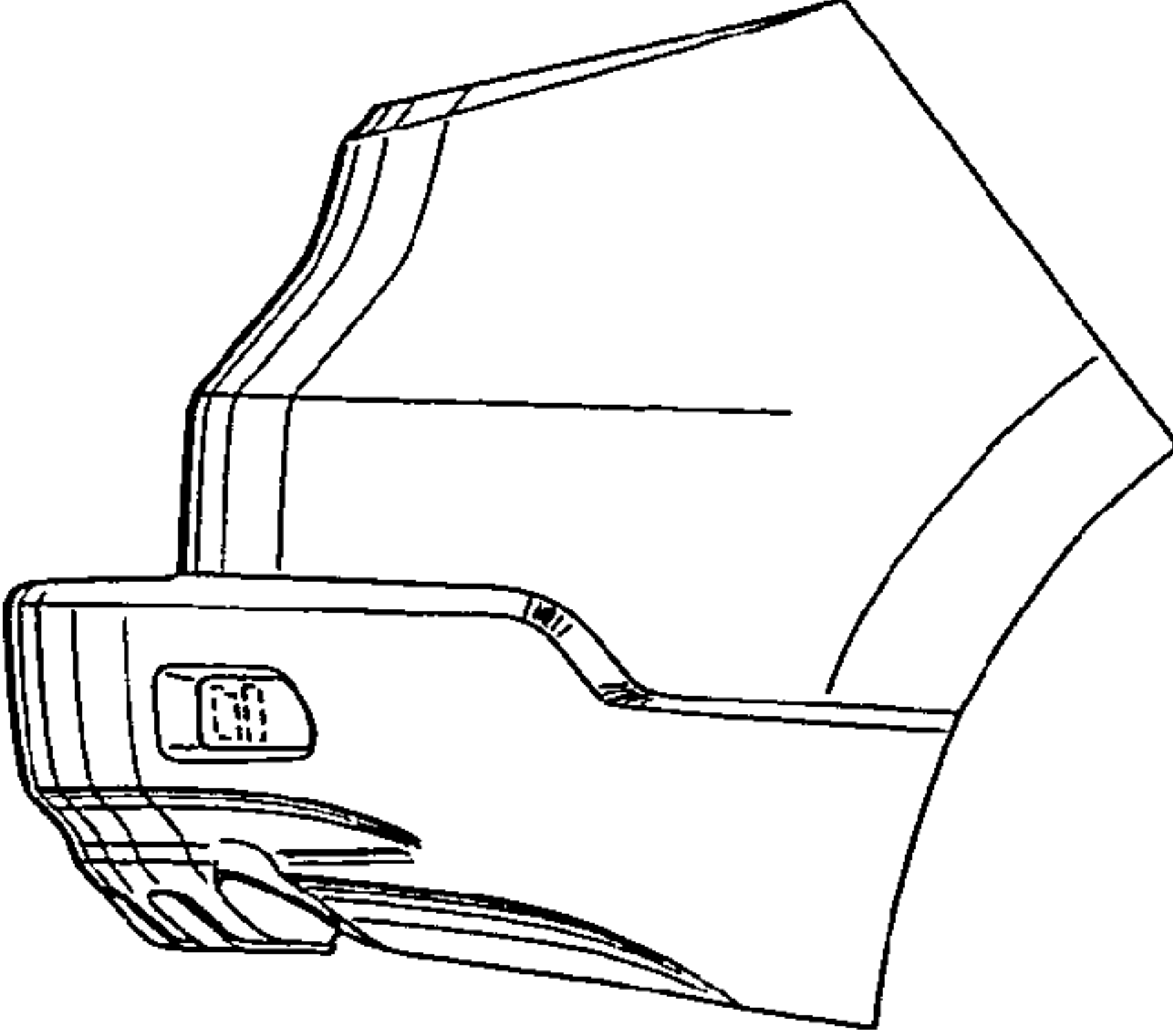
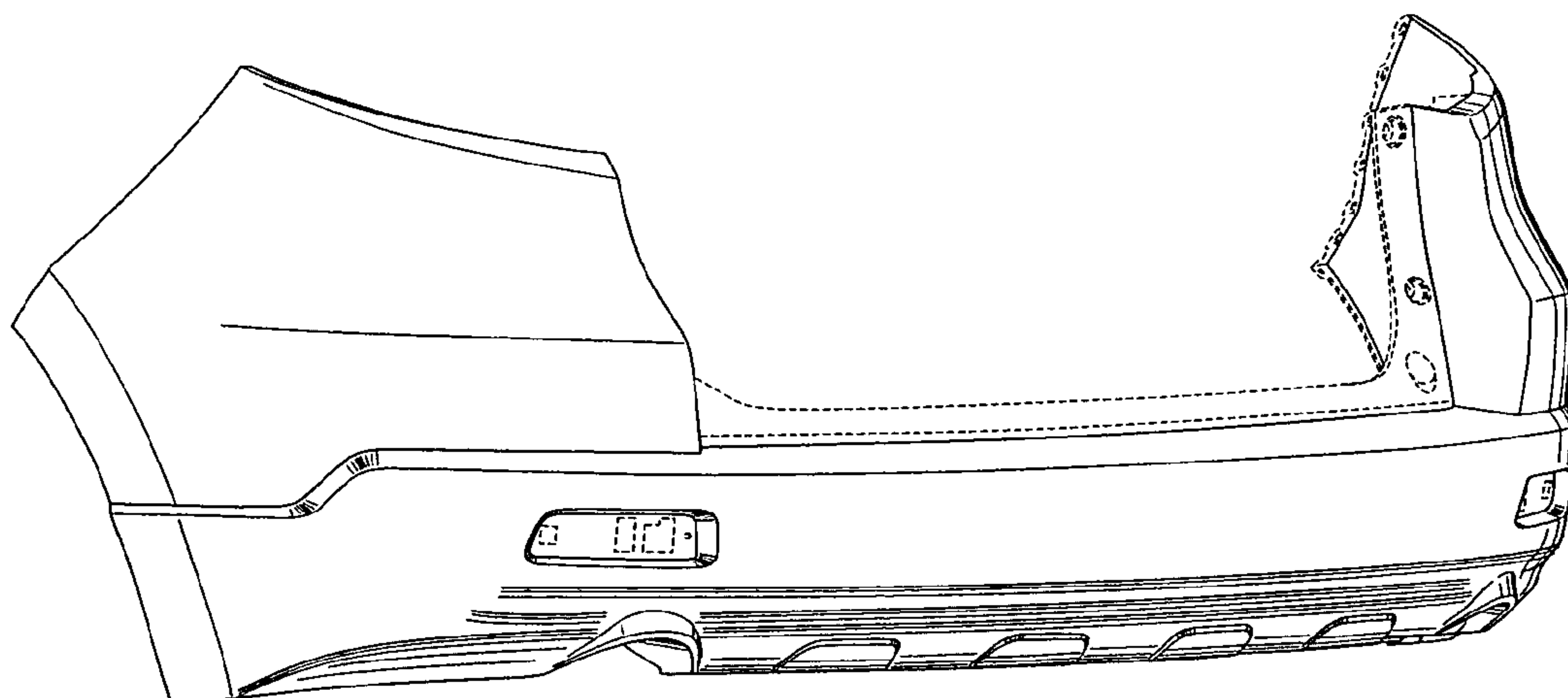


FIG.5



UNITED STATES PATENT AND TRADEMARK OFFICE
CERTIFICATE OF CORRECTION

PATENT NO. : Des. 545,734 S
APPLICATION NO. : 29/262170
DATED : July 3, 2007
INVENTOR(S) : Taku Kono

Page 1 of 1

It is certified that error appears in the above-identified patent and that said Letters Patent is hereby corrected as shown below:

On the title page (30), delete "1908" and insert therefor --2005--.

Signed and Sealed this

First Day of January, 2008

A handwritten signature in black ink that reads "Jon W. Dudas". The signature is written in a cursive style with a large, stylized initial "J".

JON W. DUDAS
Director of the United States Patent and Trademark Office