

US00D545721S

(12) **United States Design Patent**
Hacker et al.

(10) **Patent No.:** **US D545,721 S**
(45) **Date of Patent:** **** Jul. 3, 2007**

(54) **ROBOT**

(75) Inventors: **Kurt A. Hacker**, King George, VA (US); **Andrew Czop**, Alexandria, VA (US); **Todd Zimmerman**, Alexandria, VA (US); **Mike James**, Sterling, VA (US); **James Murphy**, Fort Wahington, MD (US)

(73) Assignee: **The United States of Ameica as represented by the Secretary of the Navy**, Washington, DC (US)

(**) Term: **14 Years**

(21) Appl. No.: **29/261,417**

(22) Filed: **Jun. 14, 2006**

(51) **LOC (8) Cl.** **12-14**

(52) **U.S. Cl.** **D12/1**

(58) **Field of Classification Search** D12/1-5,
D12/16.1; D21/533, 539; 246/166; 250/253;
324/245, 326; D15/199; 414/744.5, 744;
901/8, 44, 49; 239/587.2

See application file for complete search history.

(56) **References Cited**

U.S. PATENT DOCUMENTS

D292,223 S * 10/1987 Trumbull D21/578
D410,477 S * 6/1999 Nihei et al. D15/199
5,949,209 A * 9/1999 Okamoto et al. 318/563

6,113,343 A * 9/2000 Goldenberg et al. 414/729
D437,255 S * 2/2001 Bickler et al. D12/1
D487,715 S * 3/2004 Lindemann et al. D12/1
D488,093 S * 4/2004 Lindemann et al. D12/1

* cited by examiner

Primary Examiner—Louis S. Zarfaz

Assistant Examiner—Anna Dworzecka

(74) *Attorney, Agent, or Firm*—Fredric J. Zimmerman

(57) **CLAIM**

The ornamental design for a robot, as shown.

DESCRIPTION

The invention described herein may be manufactured and used by or for the government of the United States of America for governmental purposes without the payment of any royalties thereon or therefore.

FIG. 1 is a perspective view of a robot showing our new design;

FIG. 2 is a front (elevational) view thereof;

FIG. 3 is a rear (elevational) view thereof;

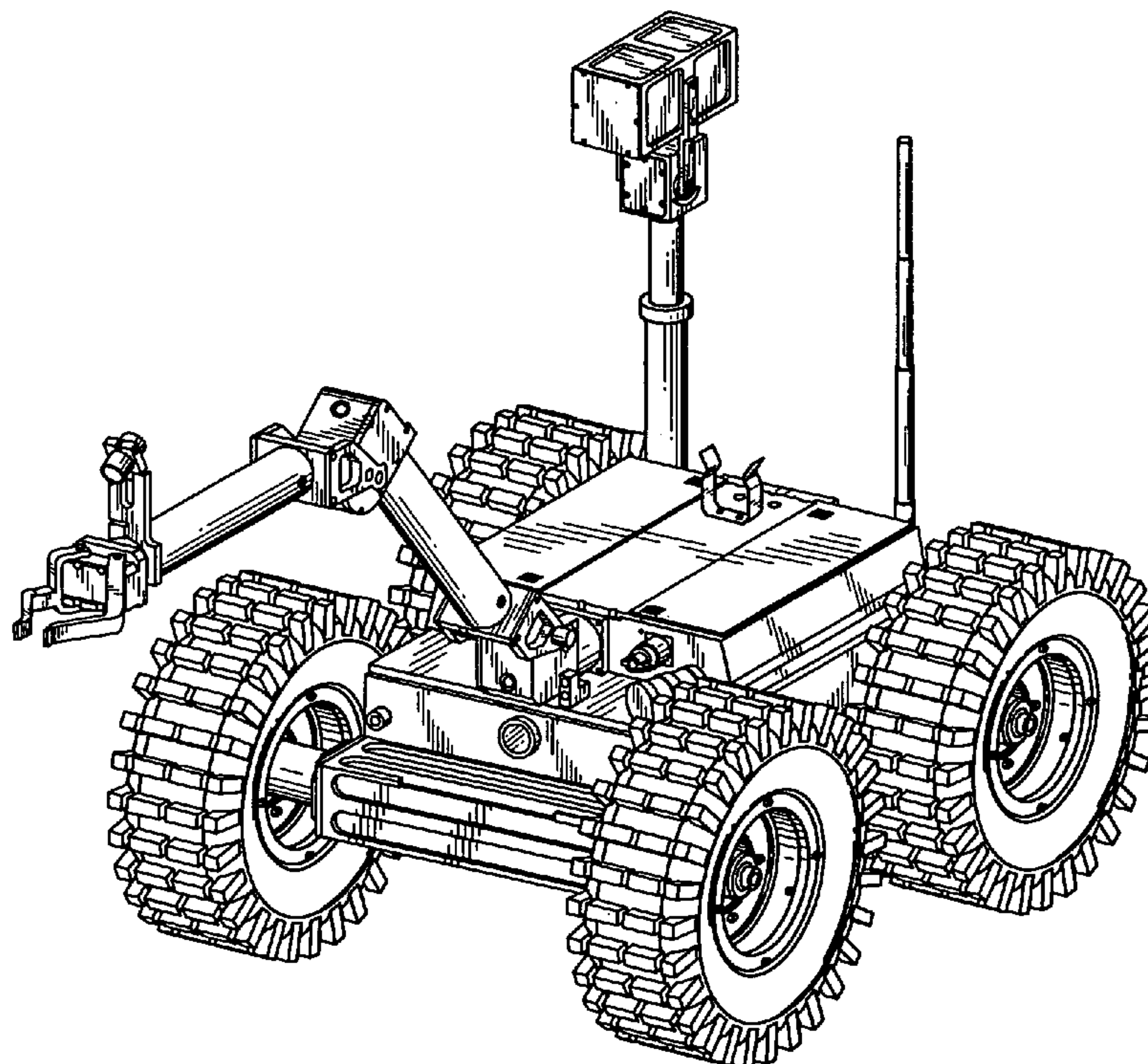
FIG. 4 is a left side view thereof;

FIG. 5 is a right side view thereof;

FIG. 6 is a bottom plan view thereof; and,

FIG. 7 is a top plan view thereof.

1 Claim, 7 Drawing Sheets



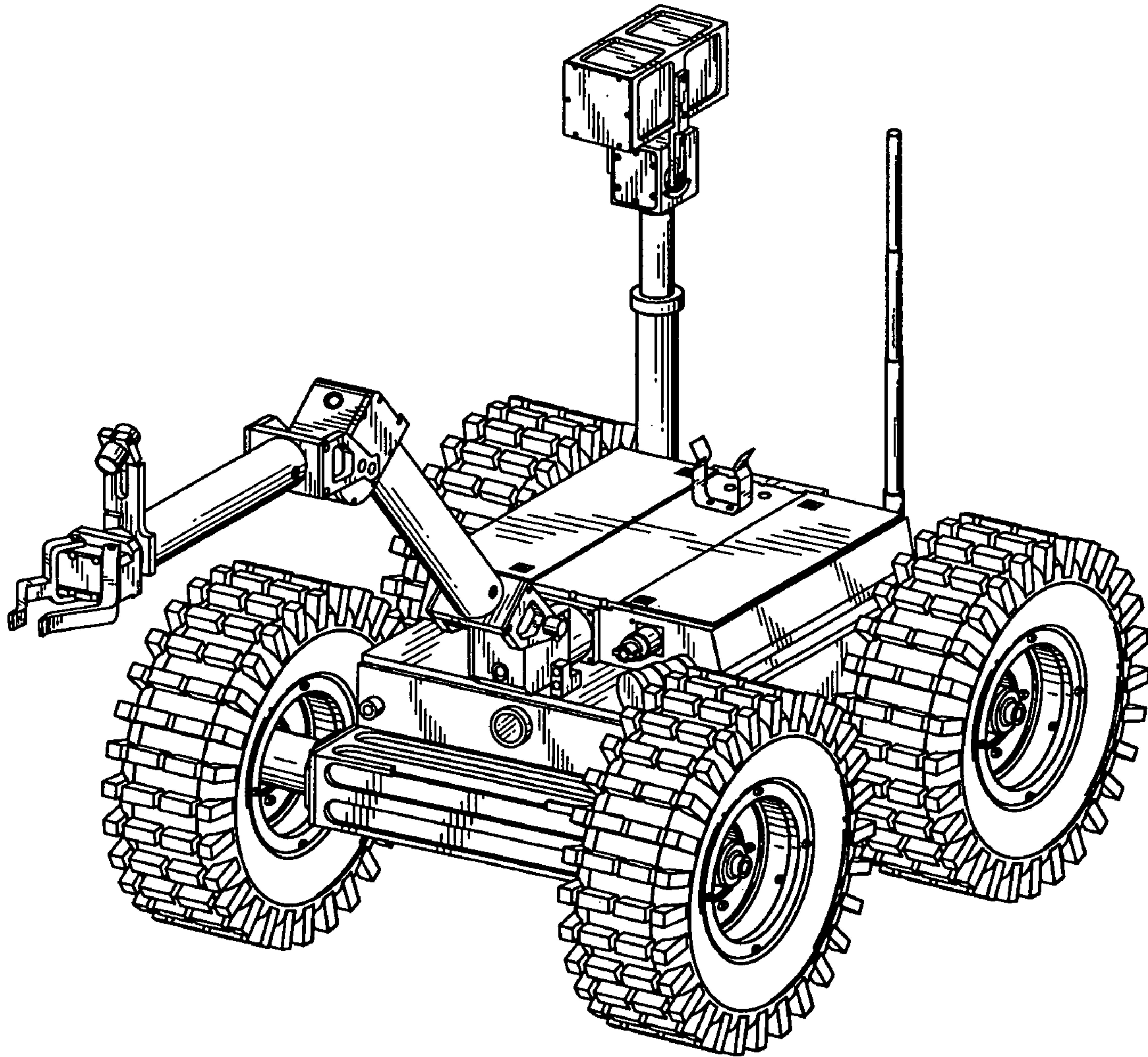


Fig. 1

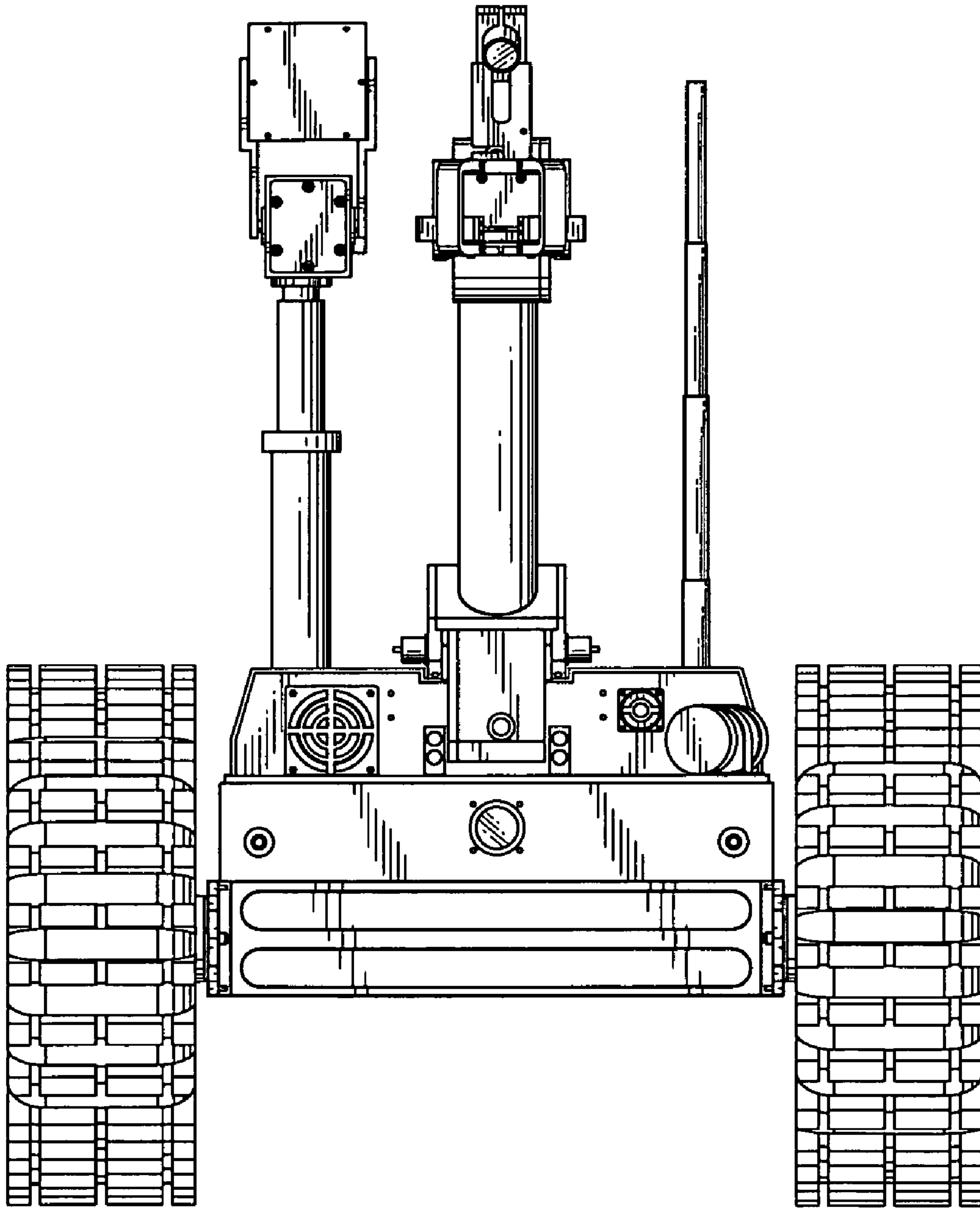


Fig. 2

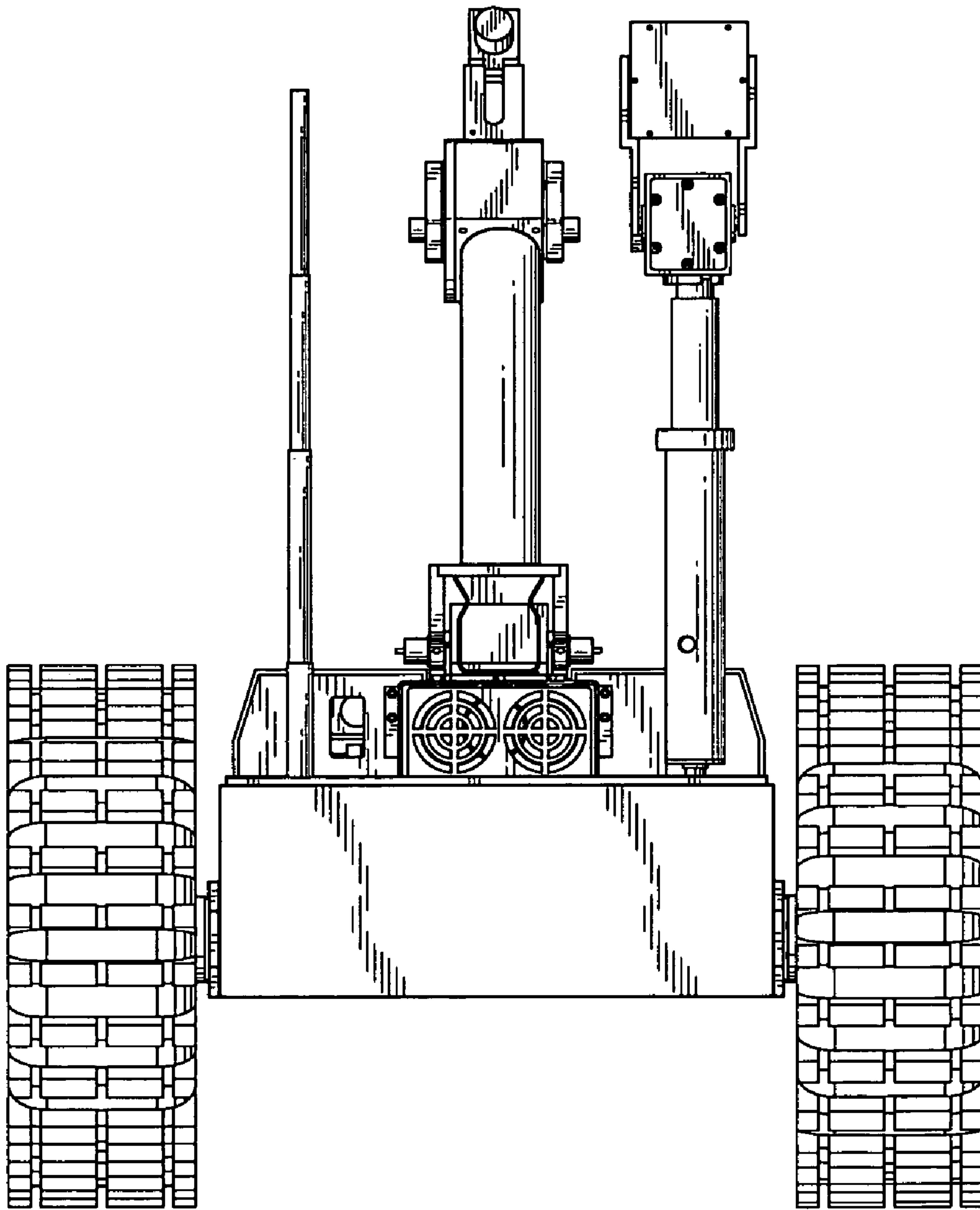


Fig. 3

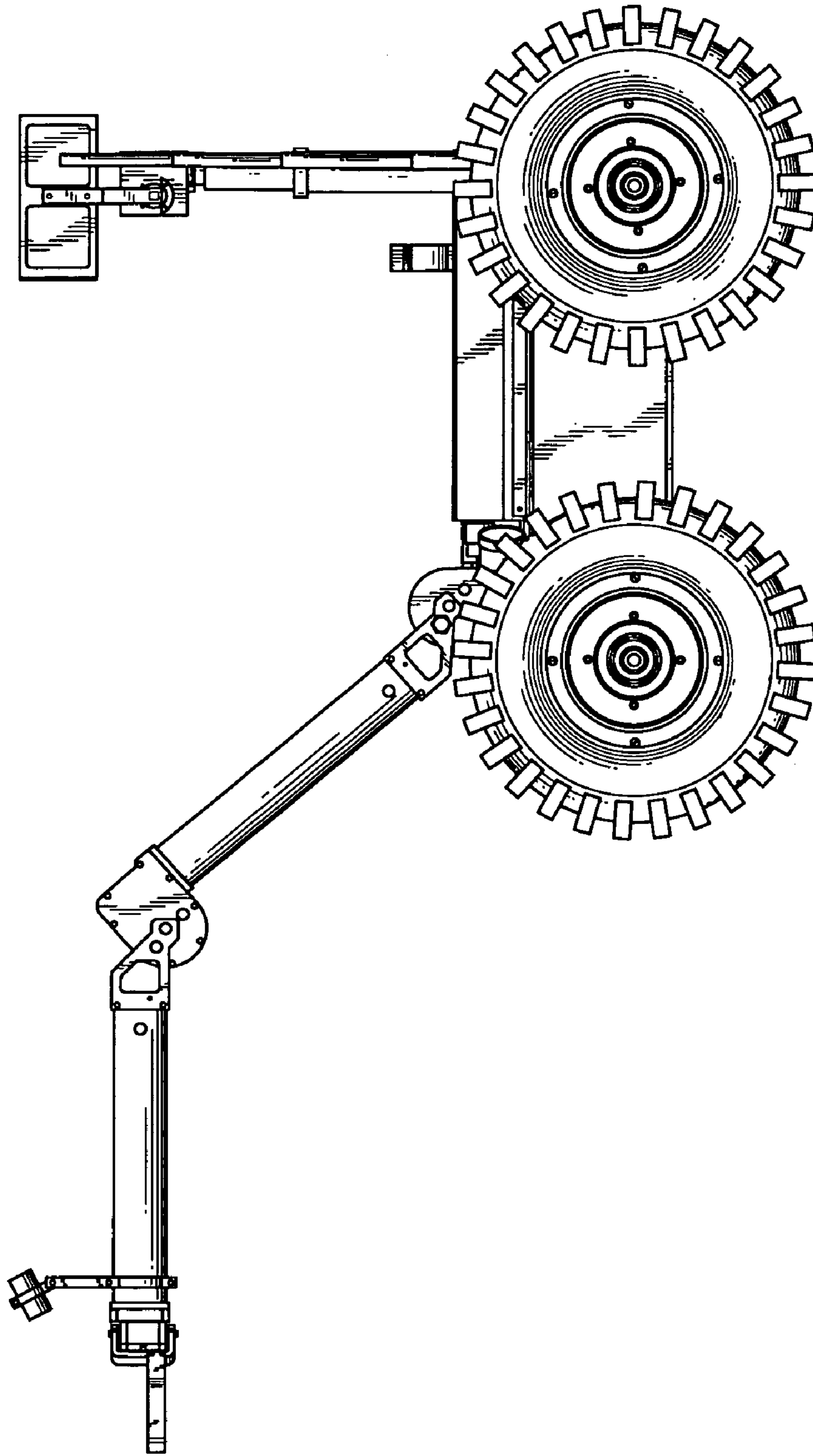


Fig. 4

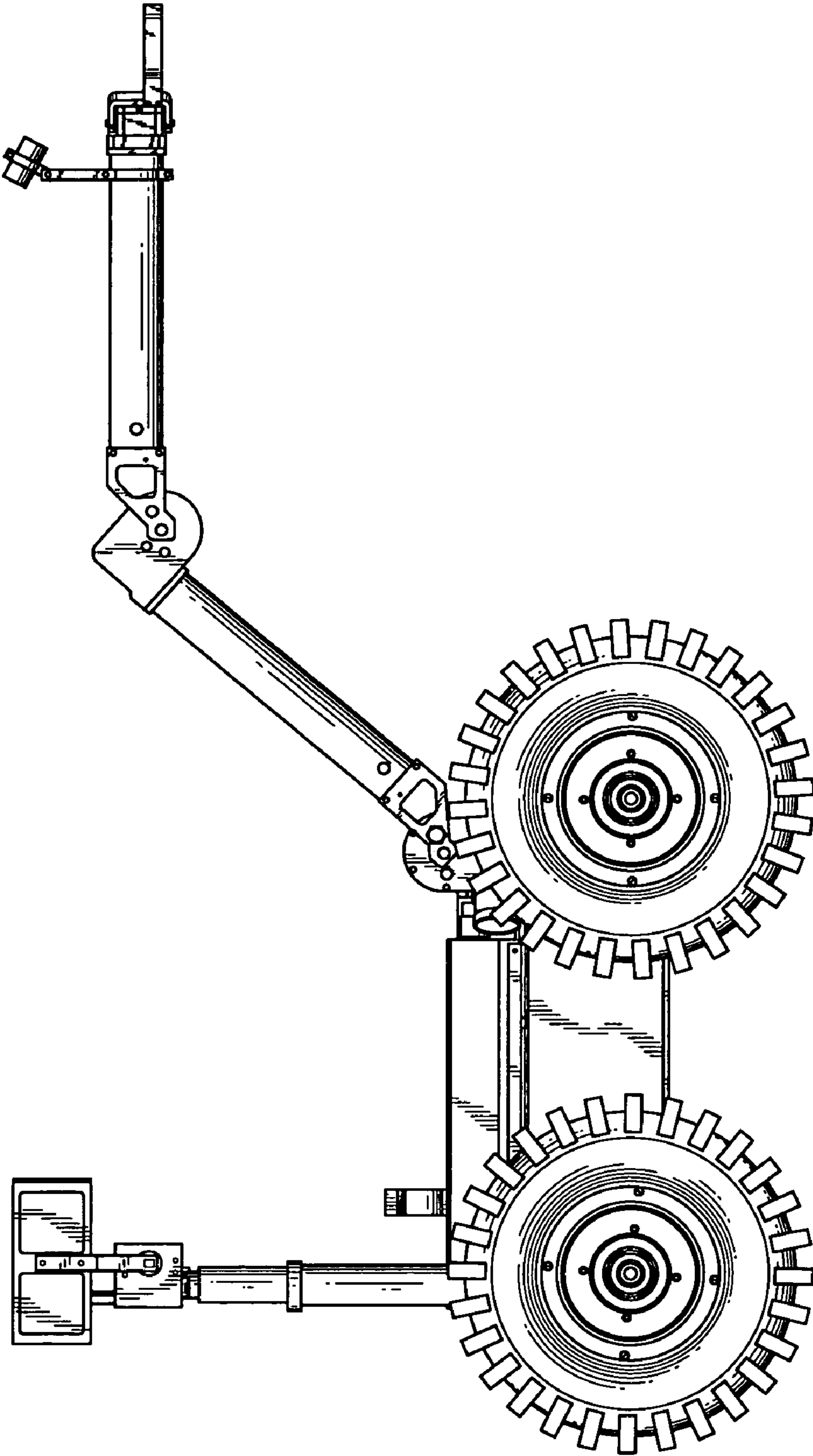


Fig. 5

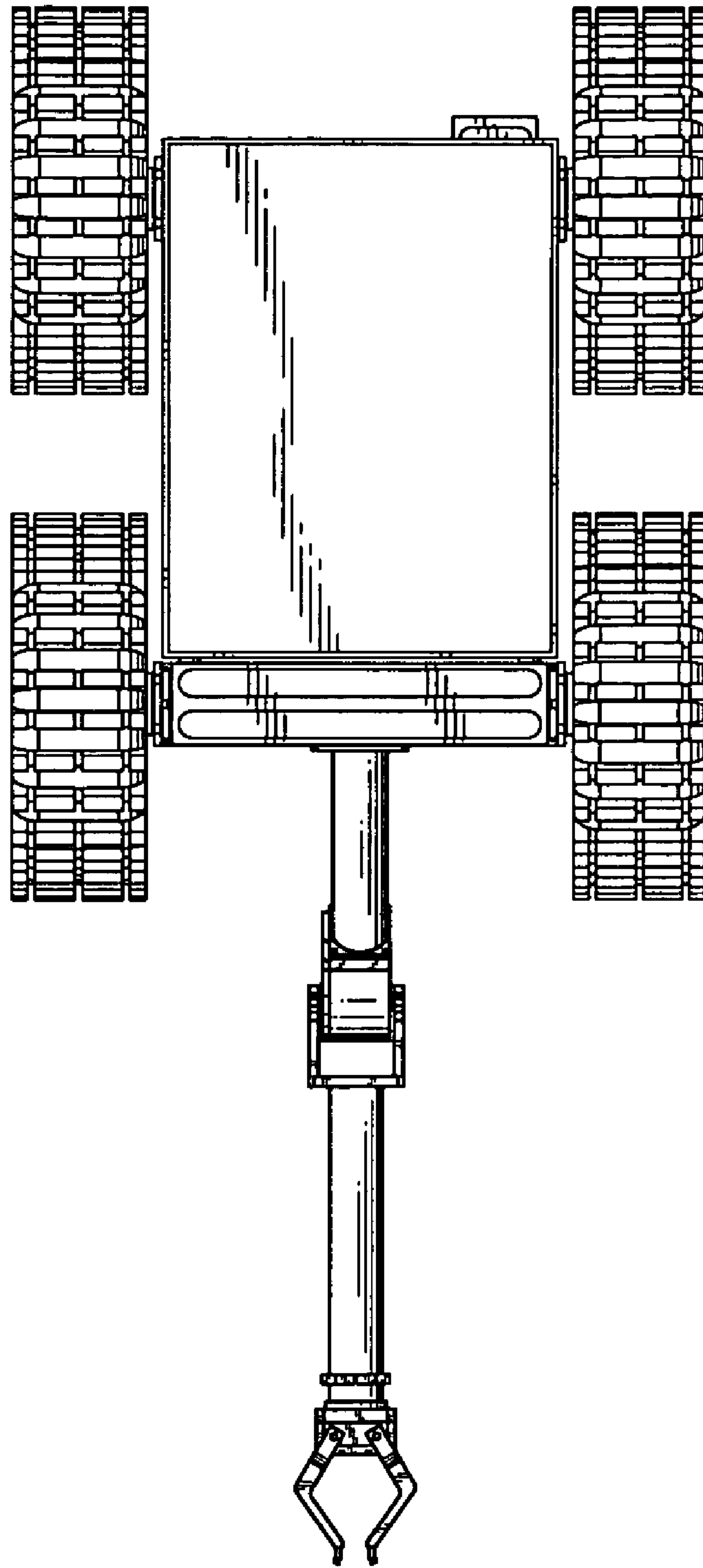


Fig. 6

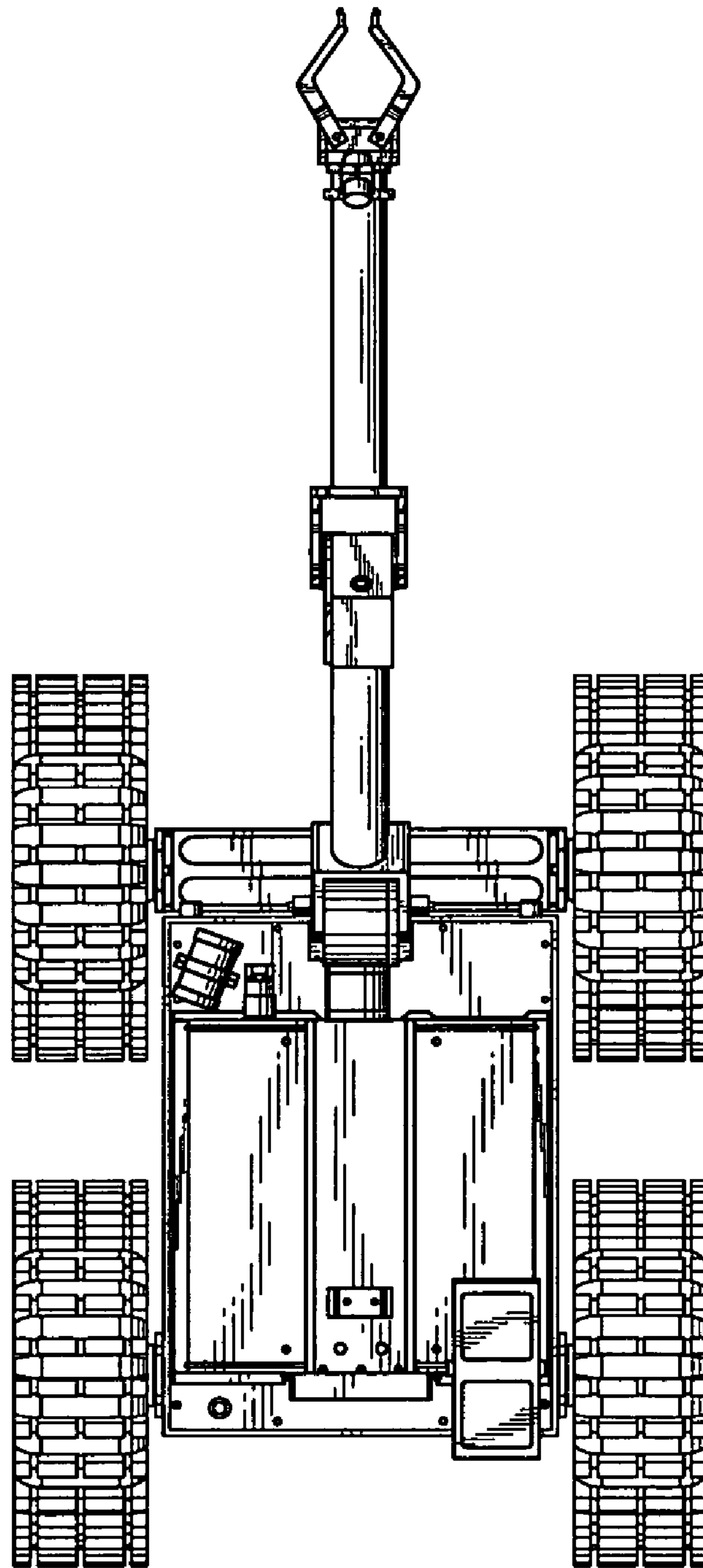


Fig. 7