

US00D545712S

(12) **United States Design Patent**
Nataf

(10) **Patent No.:** **US D545,712 S**

(45) **Date of Patent:** **** Jul. 3, 2007**

(54) **WATCH DIAL**

D525,552 S * 7/2006 Calvani D10/126

(75) Inventor: **Thierry Nataf**, Paris (FR)

(73) Assignee: **Zenith International, SA** (CH)

(**) Term: **14 Years**

(21) Appl. No.: **29/266,622**

(22) Filed: **Sep. 25, 2006**

(30) **Foreign Application Priority Data**

Mar. 29, 2006 (WO) DM/067 672

(51) **LOC (8) Cl.** **10-07**

(52) **U.S. Cl.** **D10/125**

(58) **Field of Classification Search** D10/123–126,
D10/129, 30–39; 368/223, 228, 229, 231,
368/232, 233, 234, 235, 285, 276, 281–283,
368/318

See application file for complete search history.

(56) **References Cited**

U.S. PATENT DOCUMENTS

- D404,321 S * 1/1999 Dumas D10/39
- D466,033 S * 11/2002 Dubarry D10/32
- D473,803 S * 4/2003 d'Origny D10/39
- D487,230 S * 3/2004 Dubarry D10/39
- D489,272 S * 5/2004 Messmer D10/38
- D505,628 S * 5/2005 Scheufele D10/39
- D518,402 S * 4/2006 Nataf D10/125
- D519,389 S * 4/2006 Takahashi D10/32

OTHER PUBLICATIONS

Watches International VI The Original Annual of the World's Finest Wristwatches, copyright 2005, Tourbillon International, LLC., p. 183, Concord "Delirium" watch.*

Watches International VI The Original Annual of the World's Finest Wristwatches, copyright 2005, Tourbillon International, LLC., 234, Ebel "Beluga Tonneau" watch with radiating ribs on the dial.*

* cited by examiner

Primary Examiner—Lucy Lieberman

(74) *Attorney, Agent, or Firm*—Lott & Friedland, PA

(57) **CLAIM**

The ornamental design for a watch dial, substantially as shown and described.

DESCRIPTION

FIG. 1 is a perspective view of the watch dial of the present invention;

FIG. 2 is a front view of the watch dial shown in FIG. 1;

FIG. 3 is a rear view of the watch dial shown in FIG. 1;

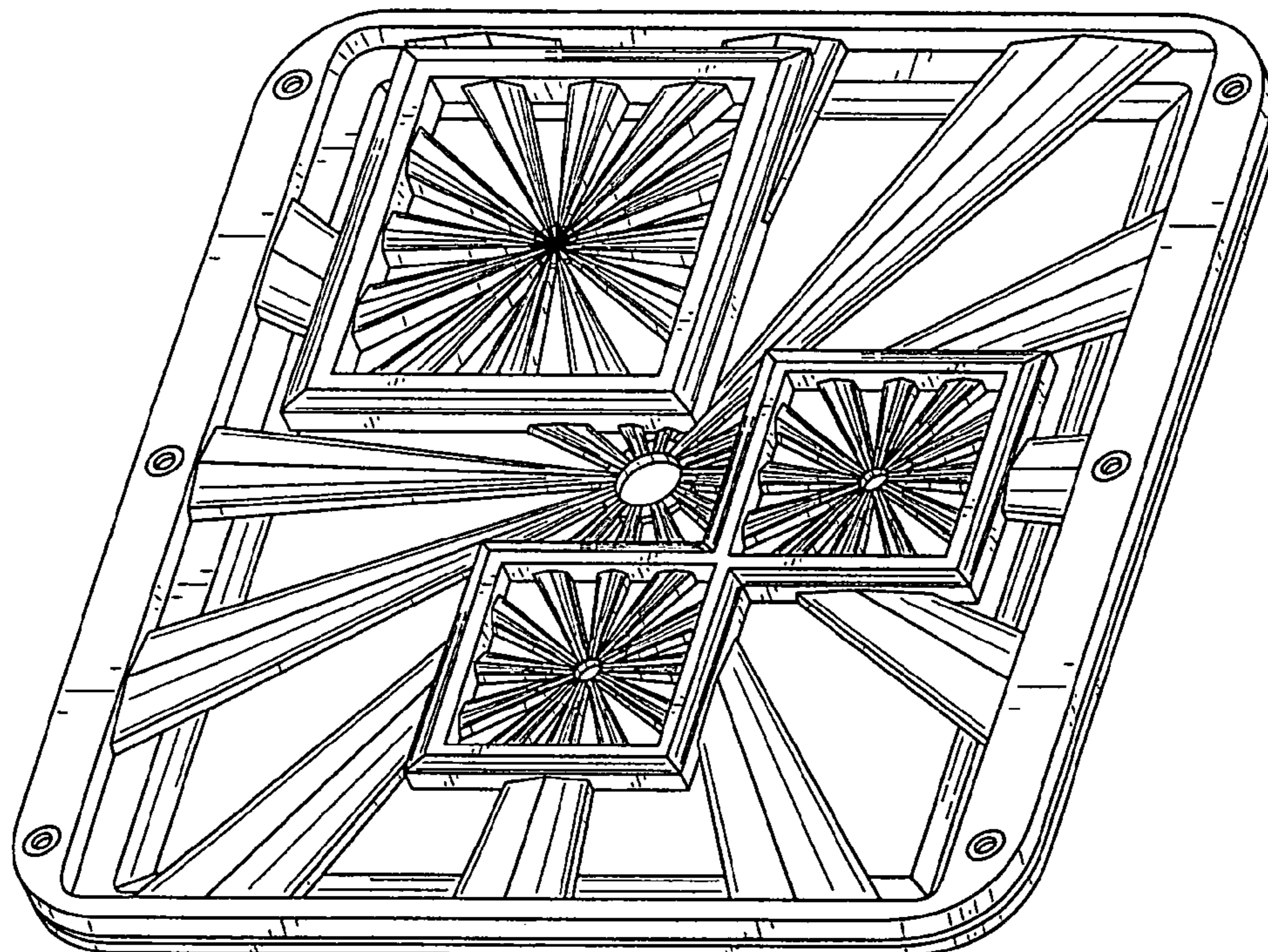
FIG. 4 is a left side elevational view of the watch dial shown in FIG. 1;

FIG. 5 is a right side elevational view of the watch dial shown in FIG. 1;

FIG. 6 is a top view of the watch dial shown in FIG. 1; and,

FIG. 7 is a bottom view of the watch dial shown in FIG. 1.

1 Claim, 5 Drawing Sheets



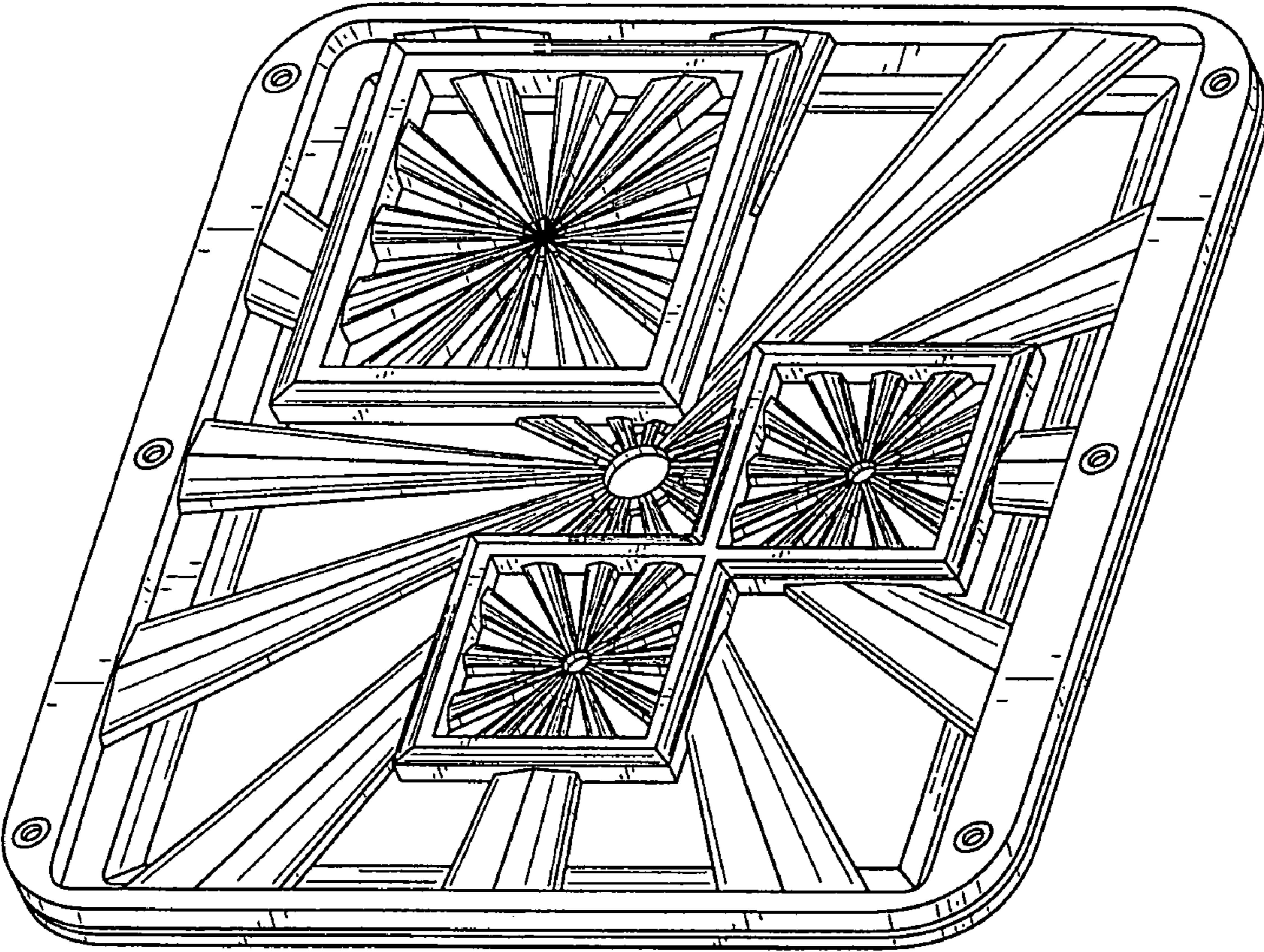


FIG. 1

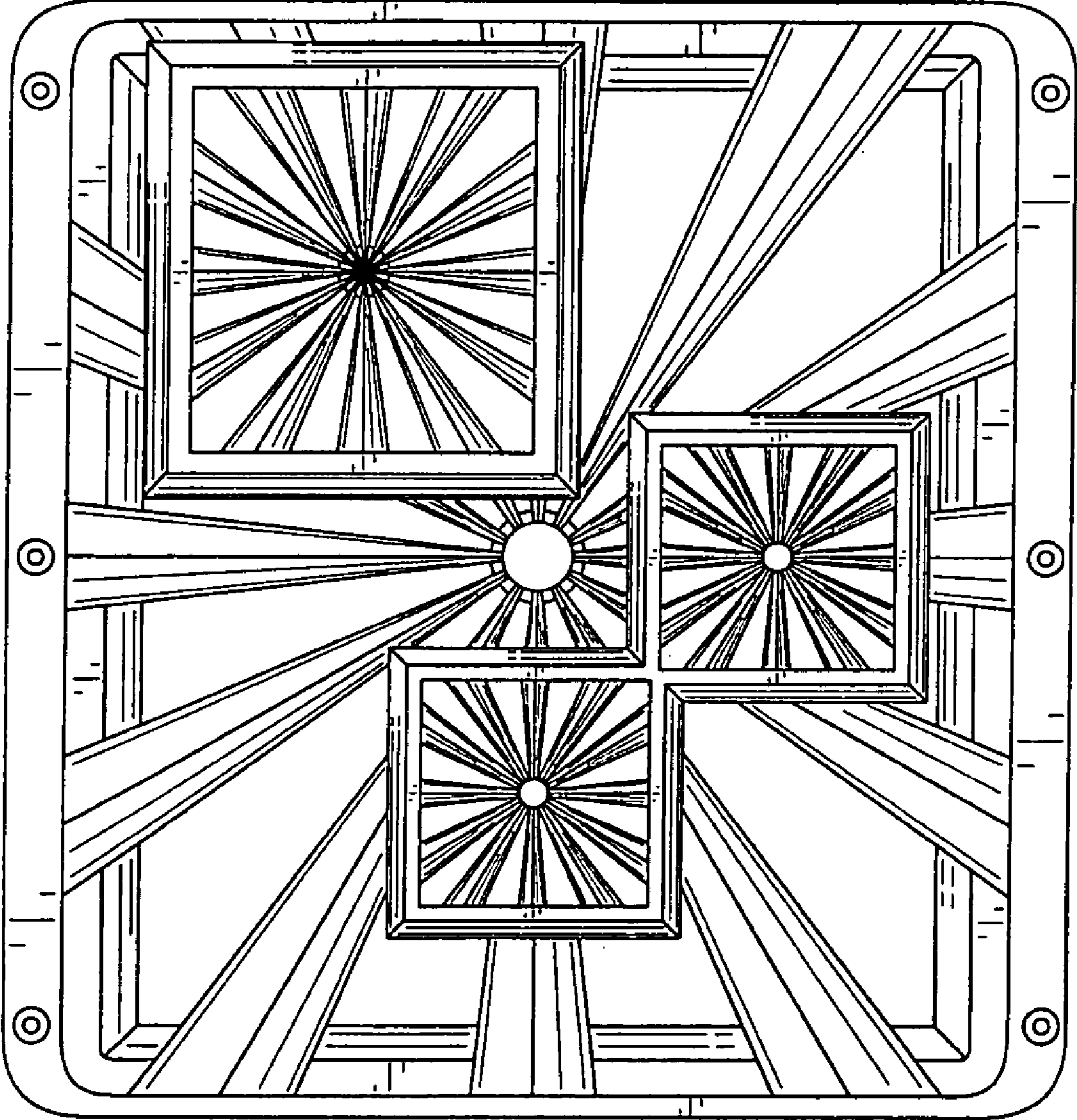


FIG. 2

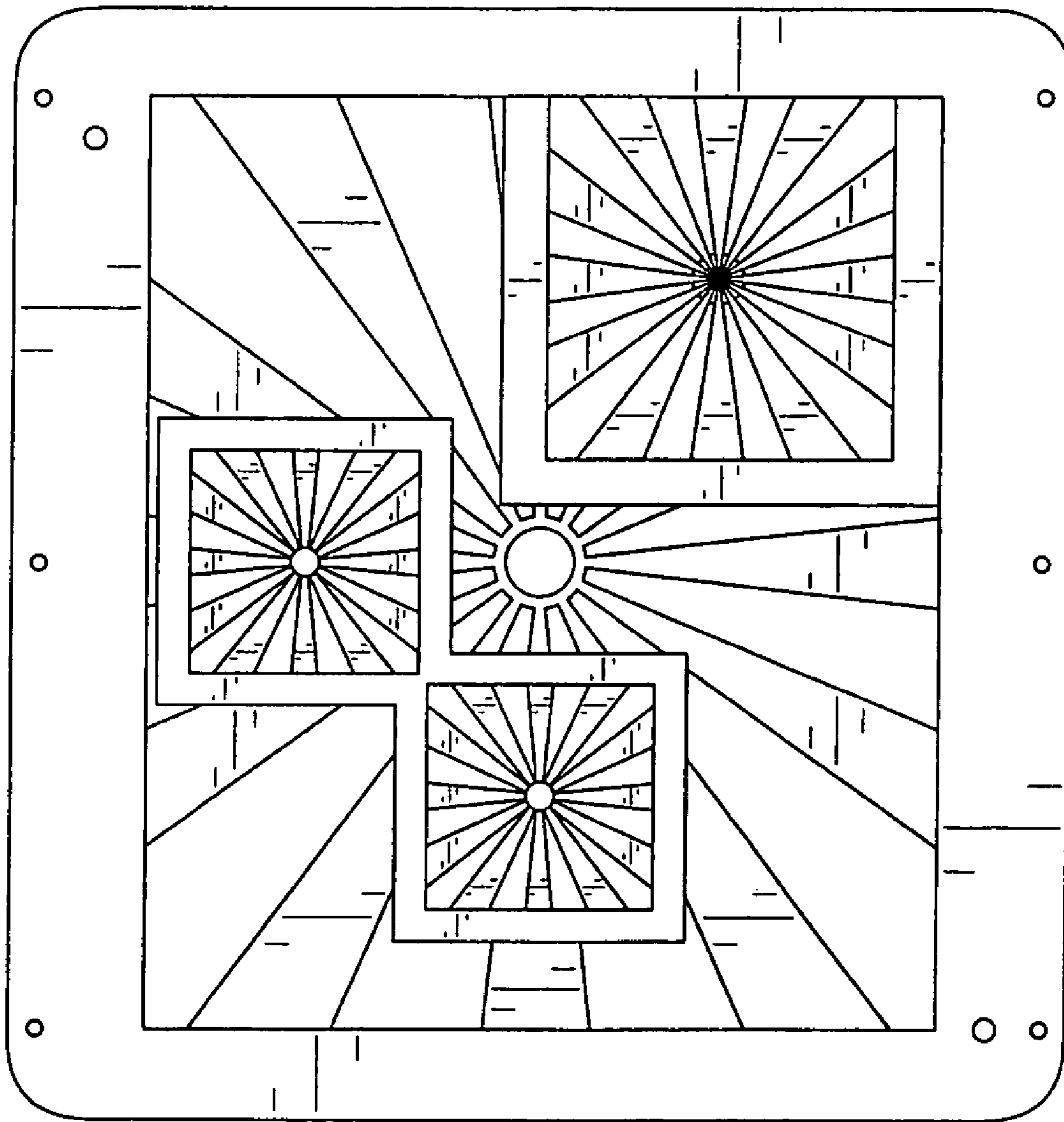


FIG. 3

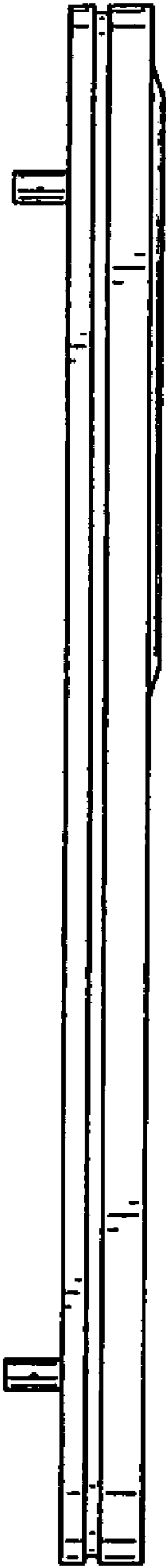


FIG. 4



FIG. 5

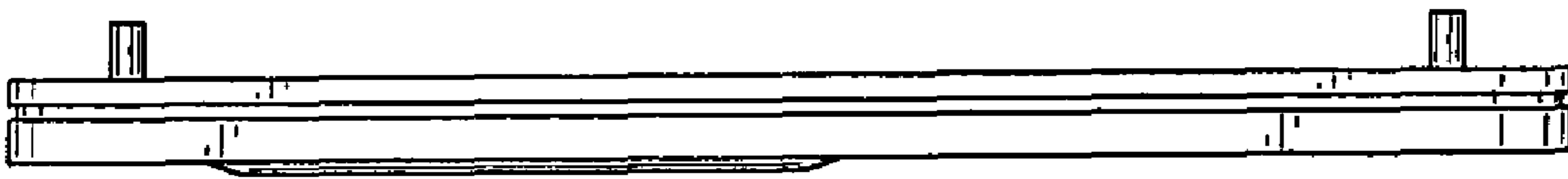


FIG. 6

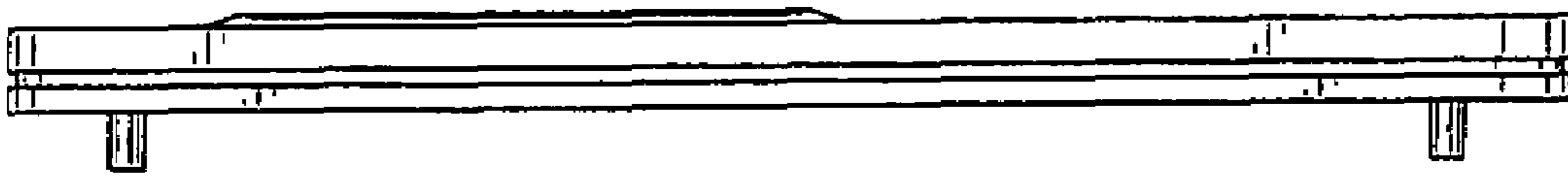


FIG. 7