



US00D545710S

(12) **United States Design Patent**
Concari et al.

(10) **Patent No.:** **US D545,710 S**
(45) **Date of Patent:** **** Jul. 3, 2007**

(54) **MOTION DETECTOR**

(75) Inventors: **Gabriel Concari**, Eldersburg, MD (US); **Kelton W. Lovell**, Baltimore, MD (US); **Tanika L. Malloy**, Nottingham, MD (US); **Lawrence E. Milburn**, Bel Air, MD (US)

(73) Assignee: **Black & Decker Inc.**, Newark, DE (US)

(**) Term: **14 Years**

(21) Appl. No.: **29/264,090**

(22) Filed: **Aug. 3, 2006**

(51) **LOC (8) Cl.** **10-05**

(52) **U.S. Cl.** **D10/104**

(58) **Field of Classification Search** D10/104-121;
D26/38; 340/521, 540, 555, 556, 557, 565,
340/600, 628, 629, 630

See application file for complete search history.

(56) **References Cited**

U.S. PATENT DOCUMENTS

D307,560 S *	5/1990	Andrews et al.	D10/106
D346,982 S *	5/1994	Greene et al.	D10/106
D348,410 S	7/1994	Adams et al.	
D369,308 S *	4/1996	Pun	D10/106
D371,752 S *	7/1996	Stemporzewski, Jr.	D10/104
D408,783 S	4/1999	Lucaci et al.	
D409,936 S	5/1999	Baldwin et al.	
D424,464 S	5/2000	Stephens	

D441,713 S	5/2001	Gartell	
D442,939 S	5/2001	Goldenburg	
D446,185 S	8/2001	Saastamoinen et al.	
D457,456 S	5/2002	Holland	
D486,785 S	2/2004	Shindo	
D494,881 S	8/2004	Niemi et al.	
D516,445 S	3/2006	DiPasquale	
D519,394 S	4/2006	DiPasquale	
7,061,386 B2 *	6/2006	Seresini	340/600
D527,296 S	8/2006	Concari et al.	
D535,204 S *	1/2007	Bender et al.	D10/104
2005/0030180 A1 *	2/2005	Pantus et al.	340/556

* cited by examiner

Primary Examiner—Robert M. Spear
Assistant Examiner—George D. Kirschbaum, Jr.
(74) *Attorney, Agent, or Firm*—Joseph F. Key

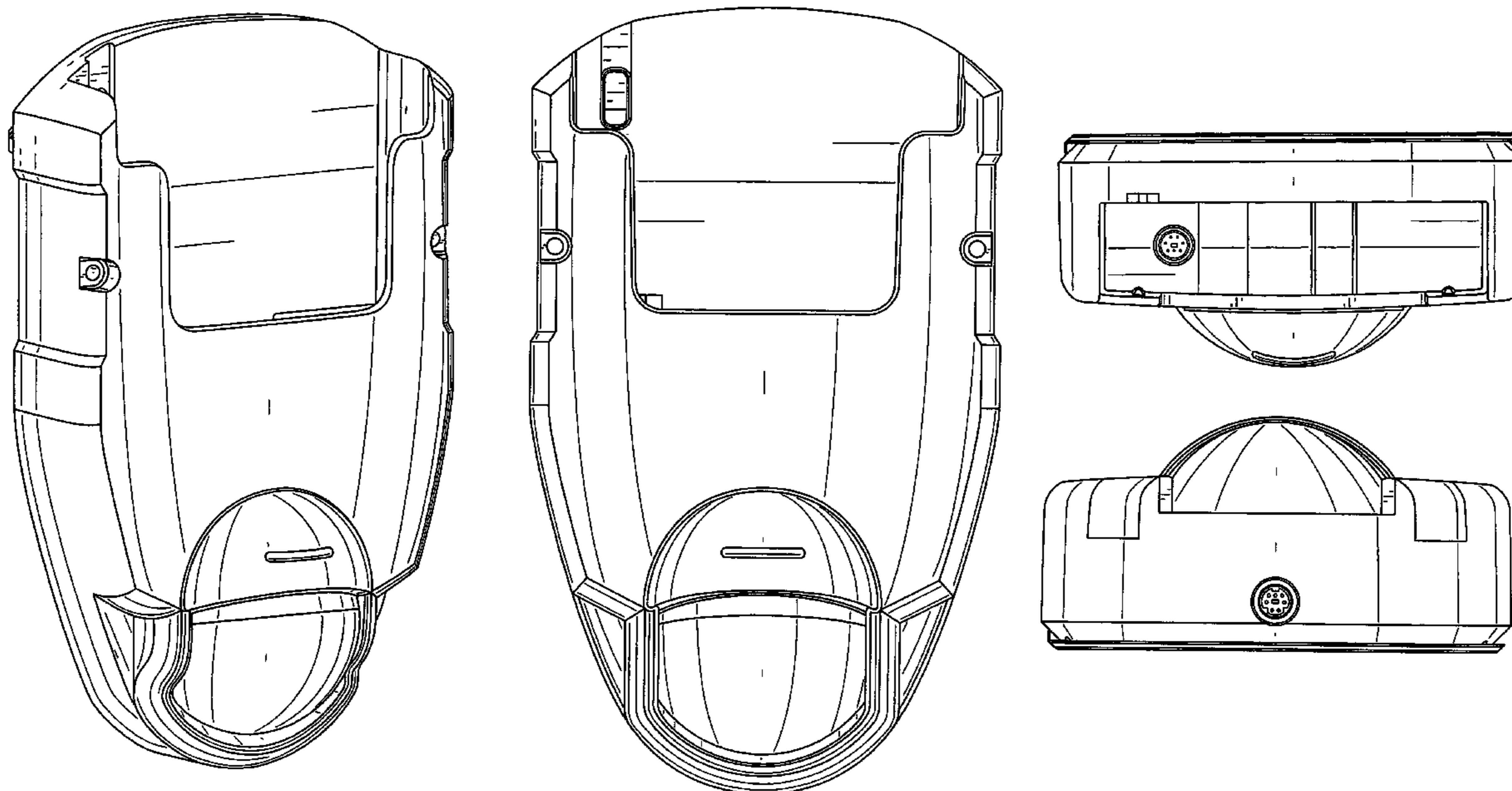
(57) **CLAIM**

The ornamental design for a motion detector, as shown and described.

DESCRIPTION

FIG. 1 is a left/front perspective view of the motion detector.
FIG. 2 is a front view thereof.
FIG. 3 is a rear view thereof.
FIG. 4 is a left side view thereof.
FIG. 5 is a right side view thereof.
FIG. 6 is top view thereof; and,
FIG. 7 is a bottom view thereof.

1 Claim, 7 Drawing Sheets



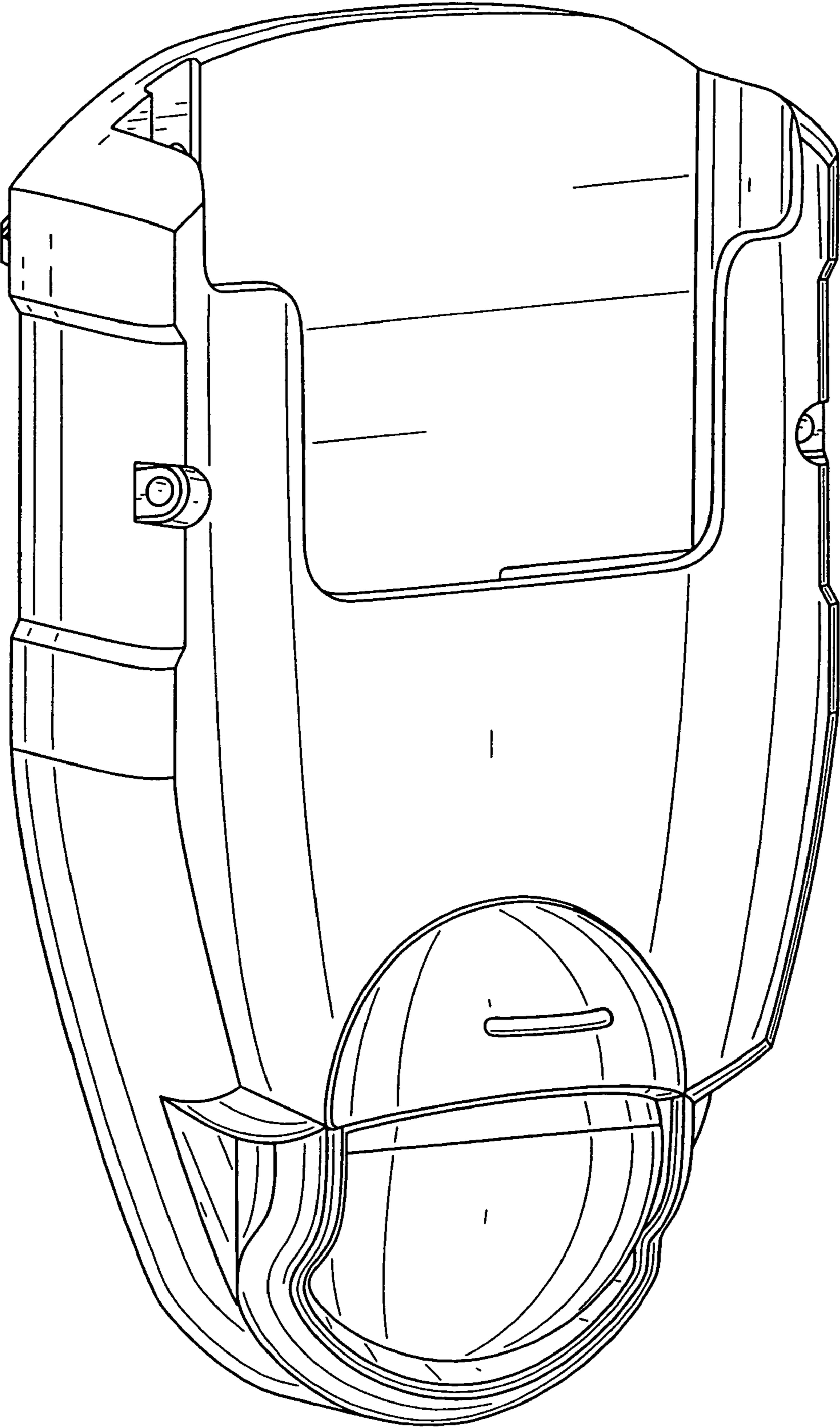


FIG. 1

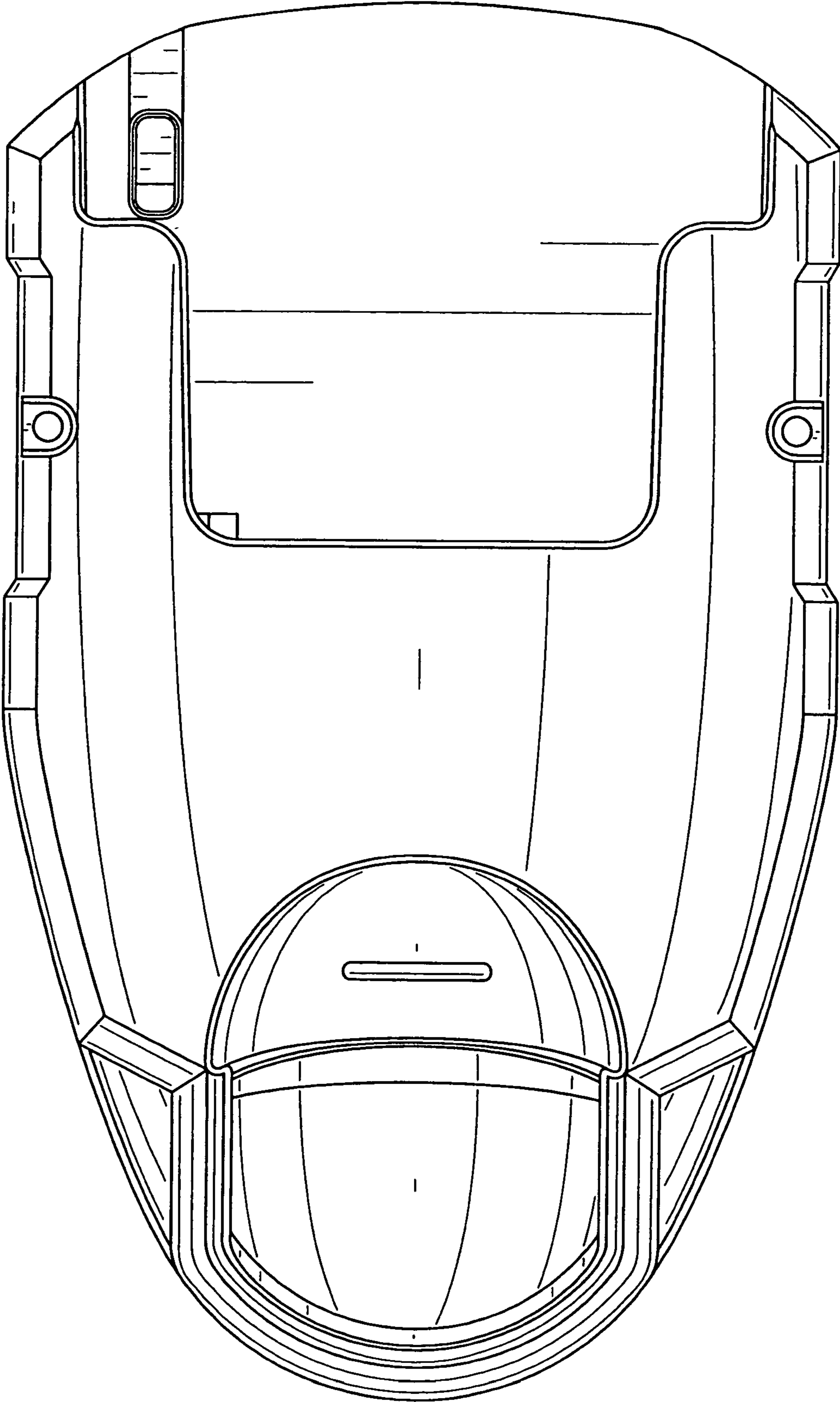


FIG. 2

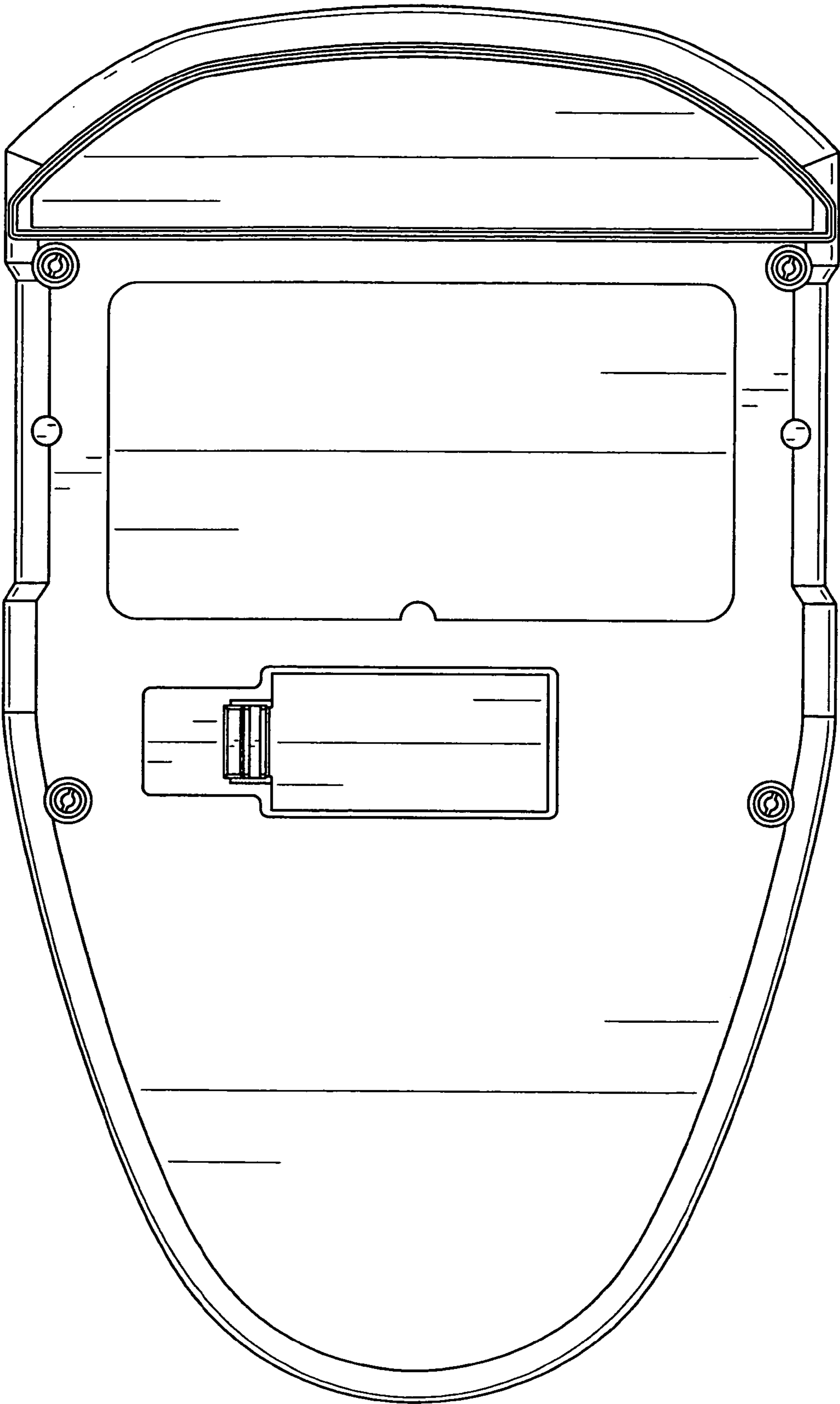


FIG. 3

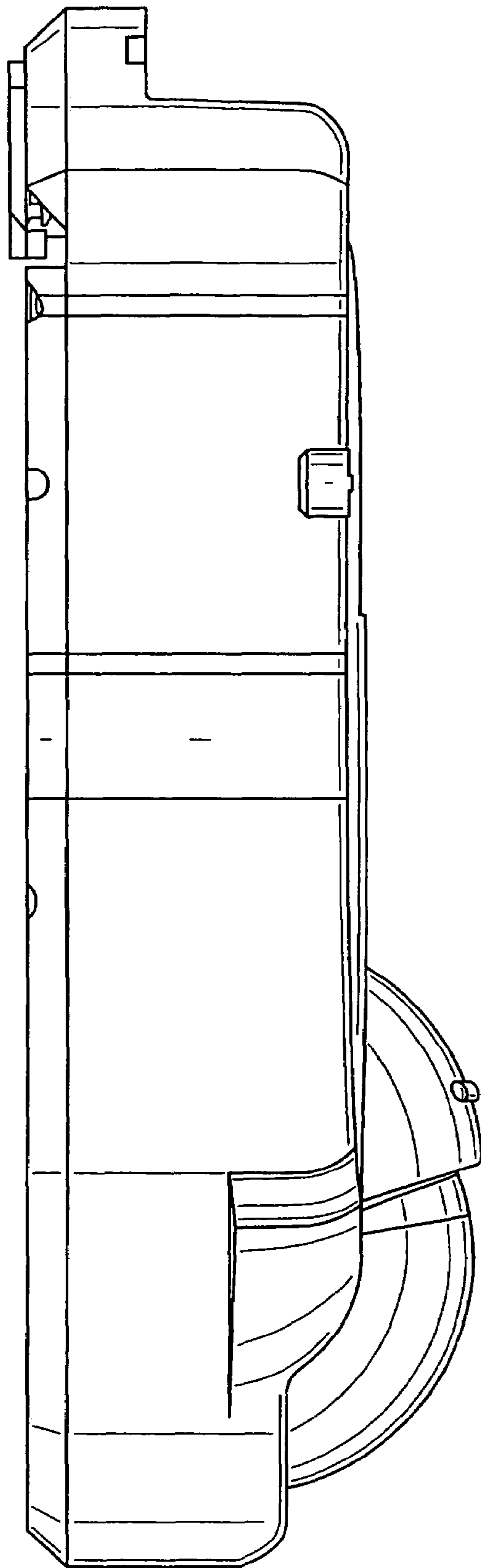


FIG. 4

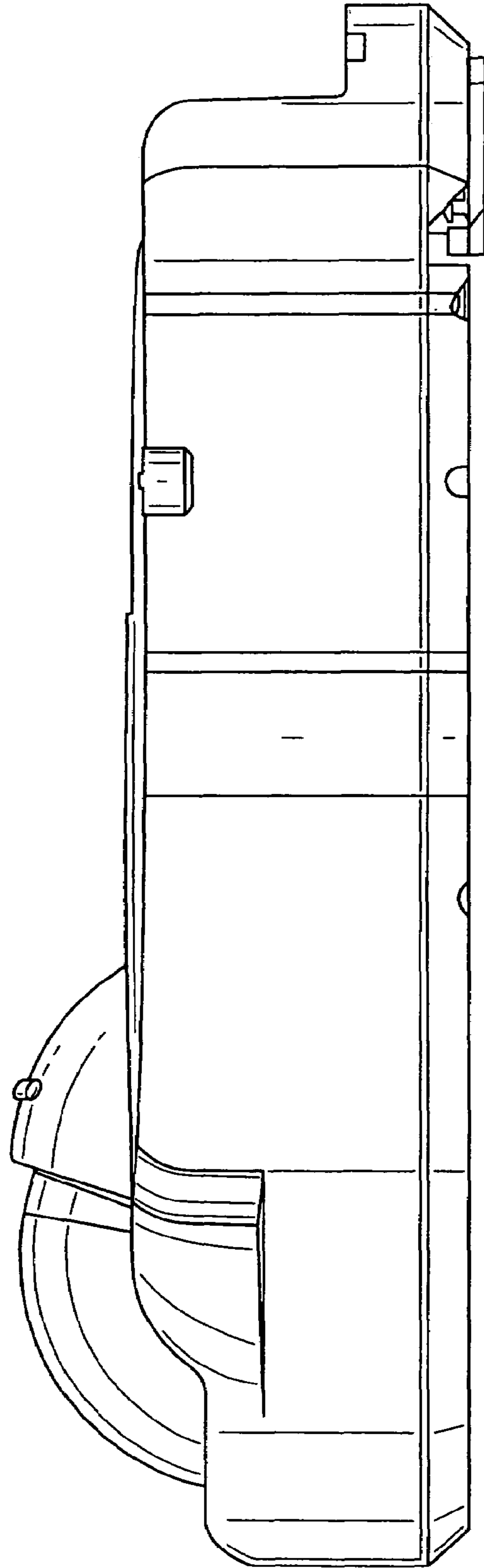


FIG. 5

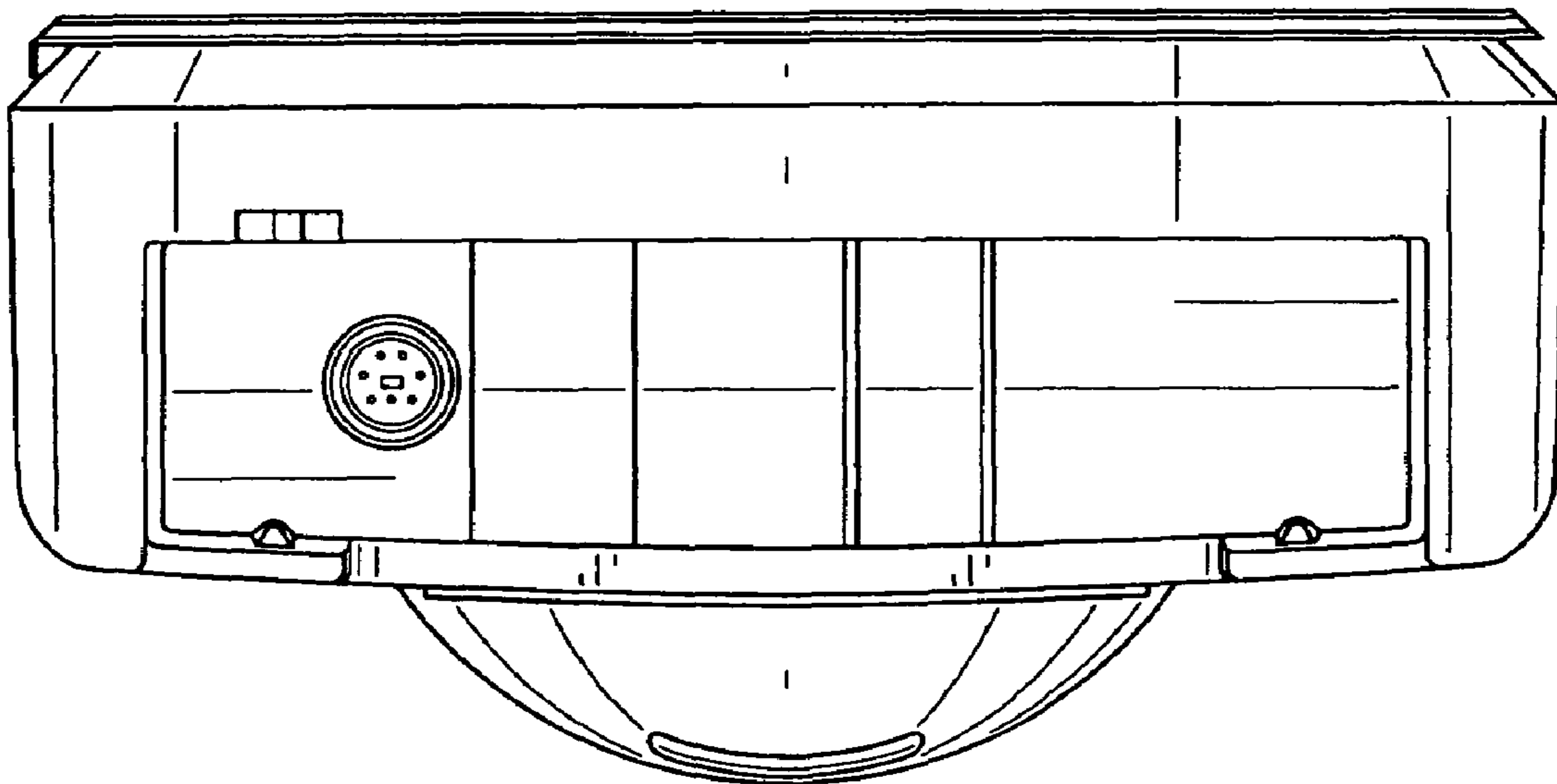


FIG. 6

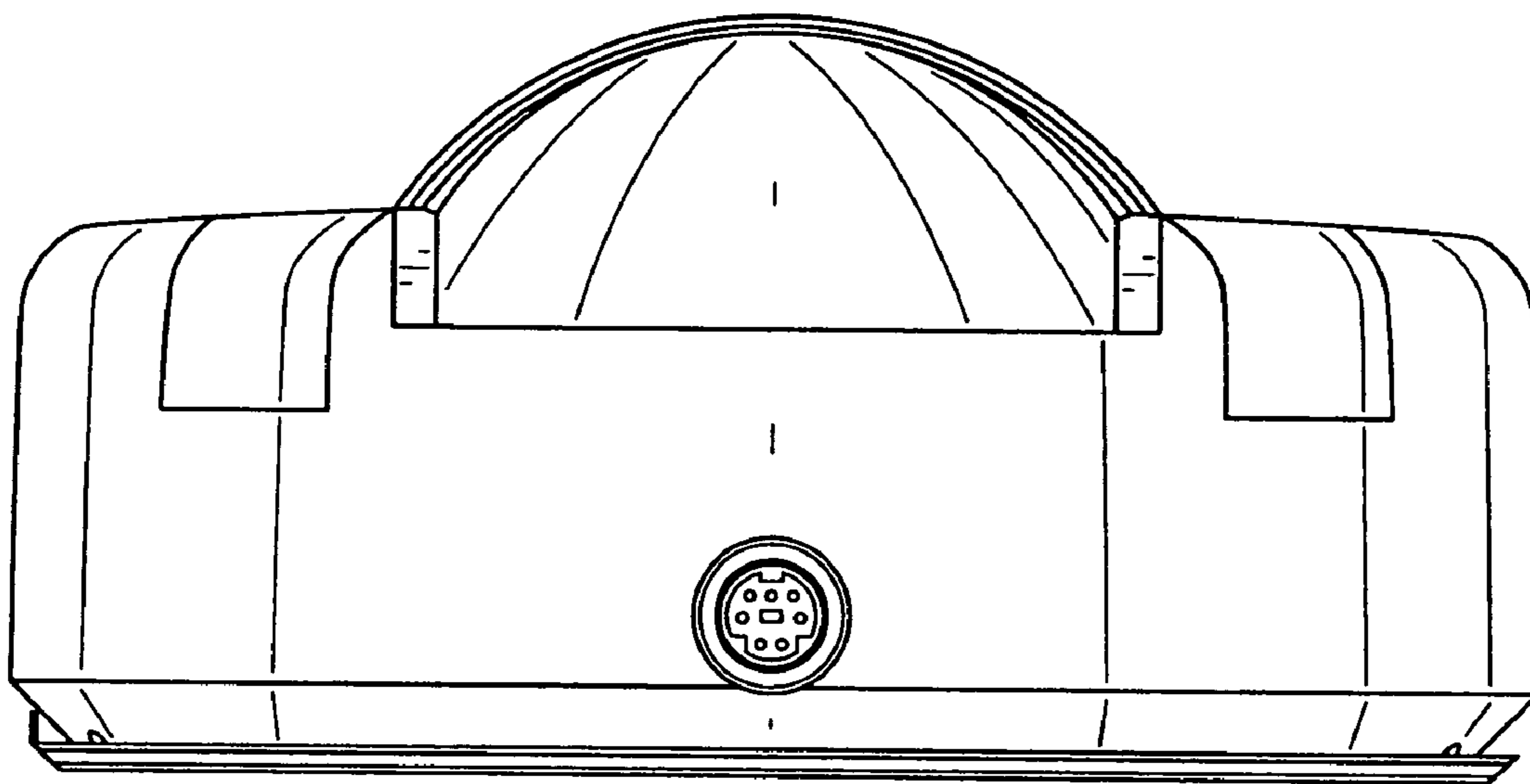


FIG. 7