



US00D545707S

(12) **United States Design Patent**
Barmettler et al.

(10) **Patent No.:** **US D545,707 S**

(45) **Date of Patent:** **** Jul. 3, 2007**

(54) **PRESSURE GAGE WITH RADIAL CONNECTOR**

(75) Inventors: **Peter Barmettler**, Hunenberg (CH);
Andreas Arnold, Hitzkirch (CH); **Kurt Grunder**, Burg (CH)

(73) Assignee: **WIKA Alexander Wiegand GmbH & Co. KG**, Main (DE)

(**) Term: **14 Years**

(21) Appl. No.: **29/233,500**

(22) Filed: **Jul. 1, 2005**

(51) **LOC (8) Cl.** **10-04**

(52) **U.S. Cl.** **D10/85**

(58) **Field of Classification Search** D10/85;
73/715-722, 431, 732-733; 200/83, 83 B,
200/83 C, 83 L; 324/110-116, 119
See application file for complete search history.

(56) **References Cited**

U.S. PATENT DOCUMENTS

4,100,812 A * 7/1978 Gray et al. 73/732

D253,811 S * 1/1980 Bljumshtein et al. D10/85
D353,113 S * 12/1994 Cook-Martin D10/85
6,314,816 B1 * 11/2001 Wiegand 73/732
2002/0134165 A1 * 9/2002 Chou 73/733

* cited by examiner

Primary Examiner—Antoine D. Davis

(74) *Attorney, Agent, or Firm*—W. Norman Roth

(57) **CLAIM**

The ornamental design for a pressure gage with radial connector, as shown.

DESCRIPTION

FIG. 1 is a perspective view showing the front of our new design;

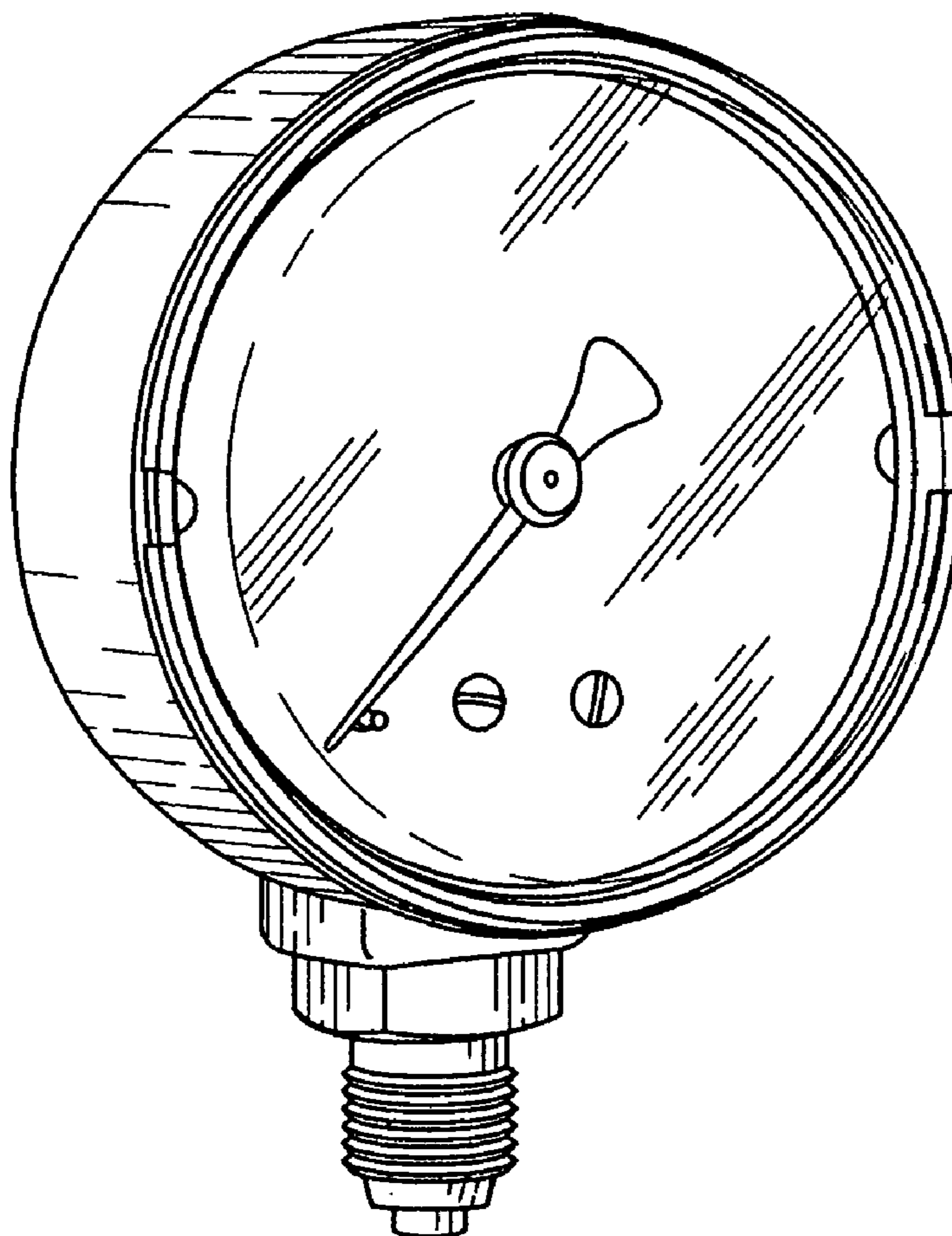
FIG. 2 is a perspective view showing the rear of our new design;

FIG. 3 is a right side elevation view of our new design, the left side being a mirror image thereof;

FIG. 4 is a top plan view of our new design; and,

FIG. 5 is a bottom plan view thereof.

1 Claim, 2 Drawing Sheets



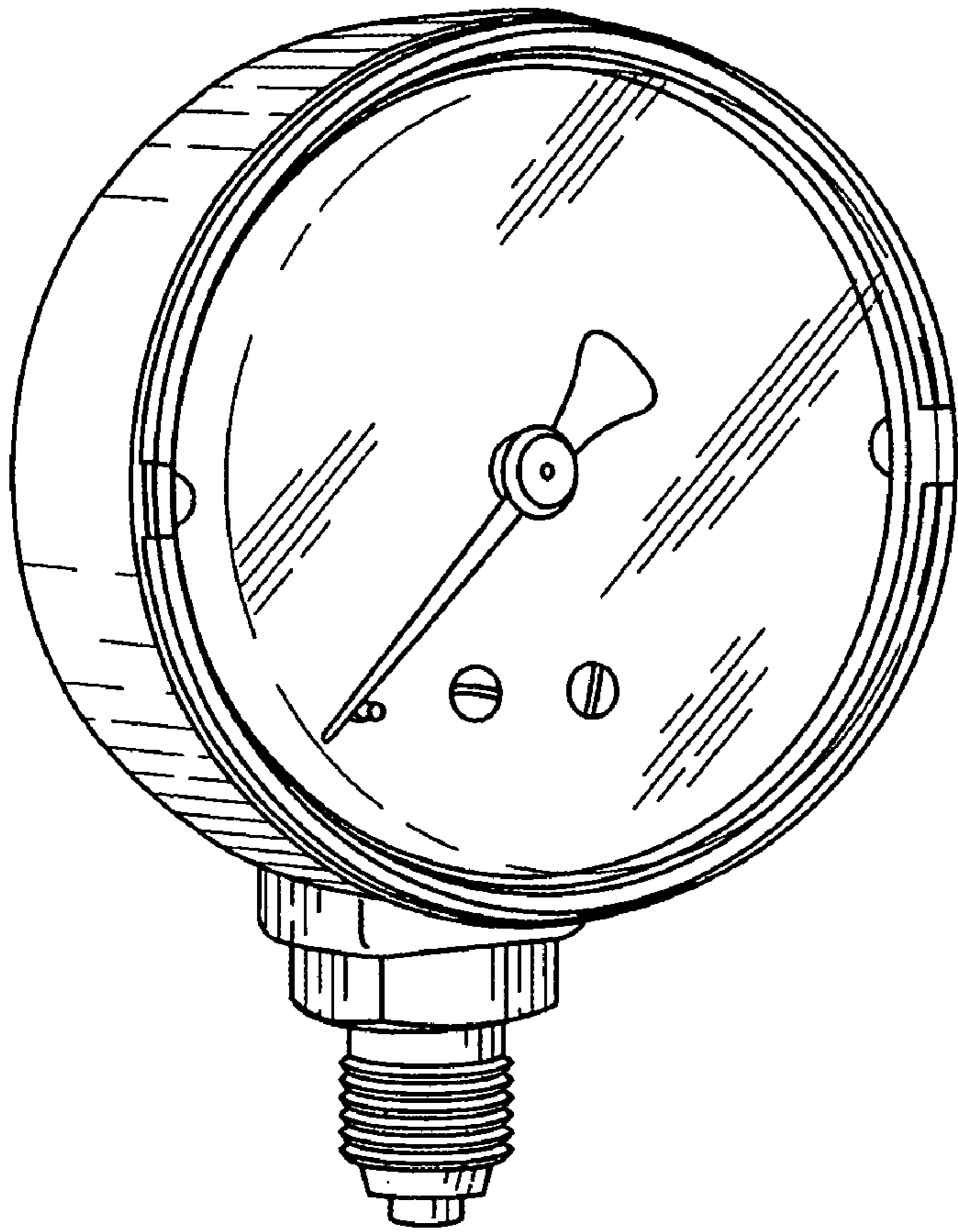


FIG. 1

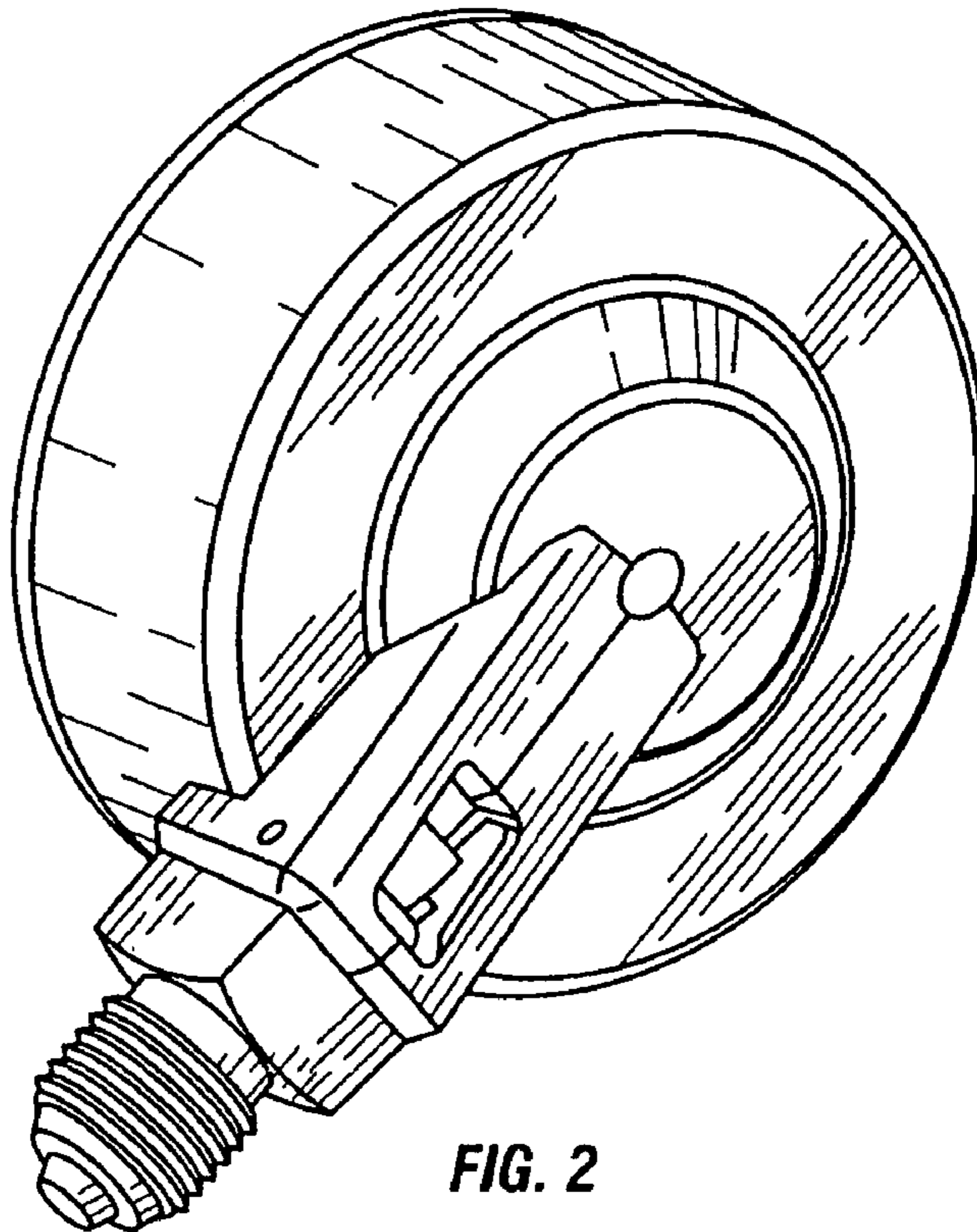


FIG. 2

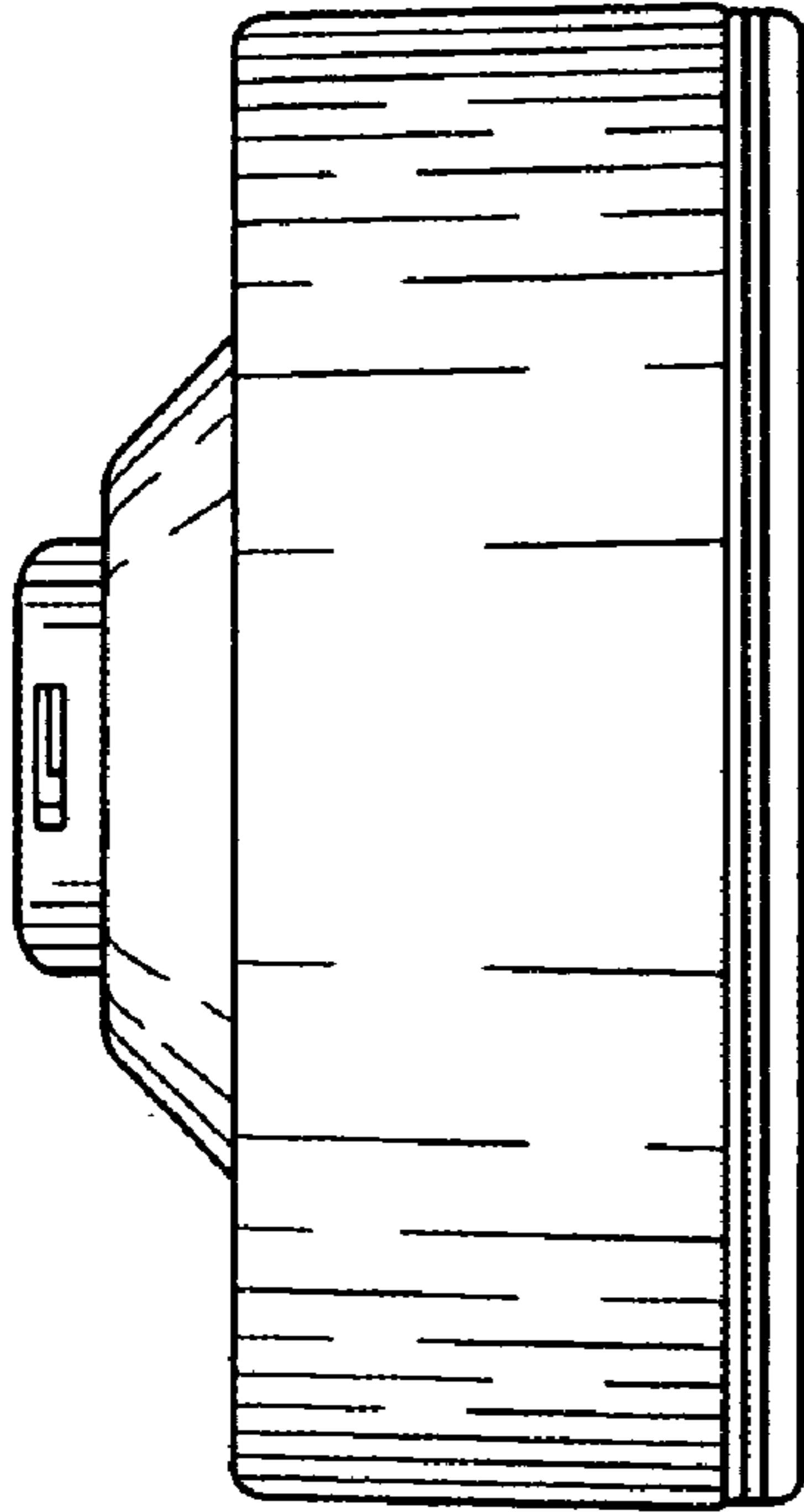


FIG. 4

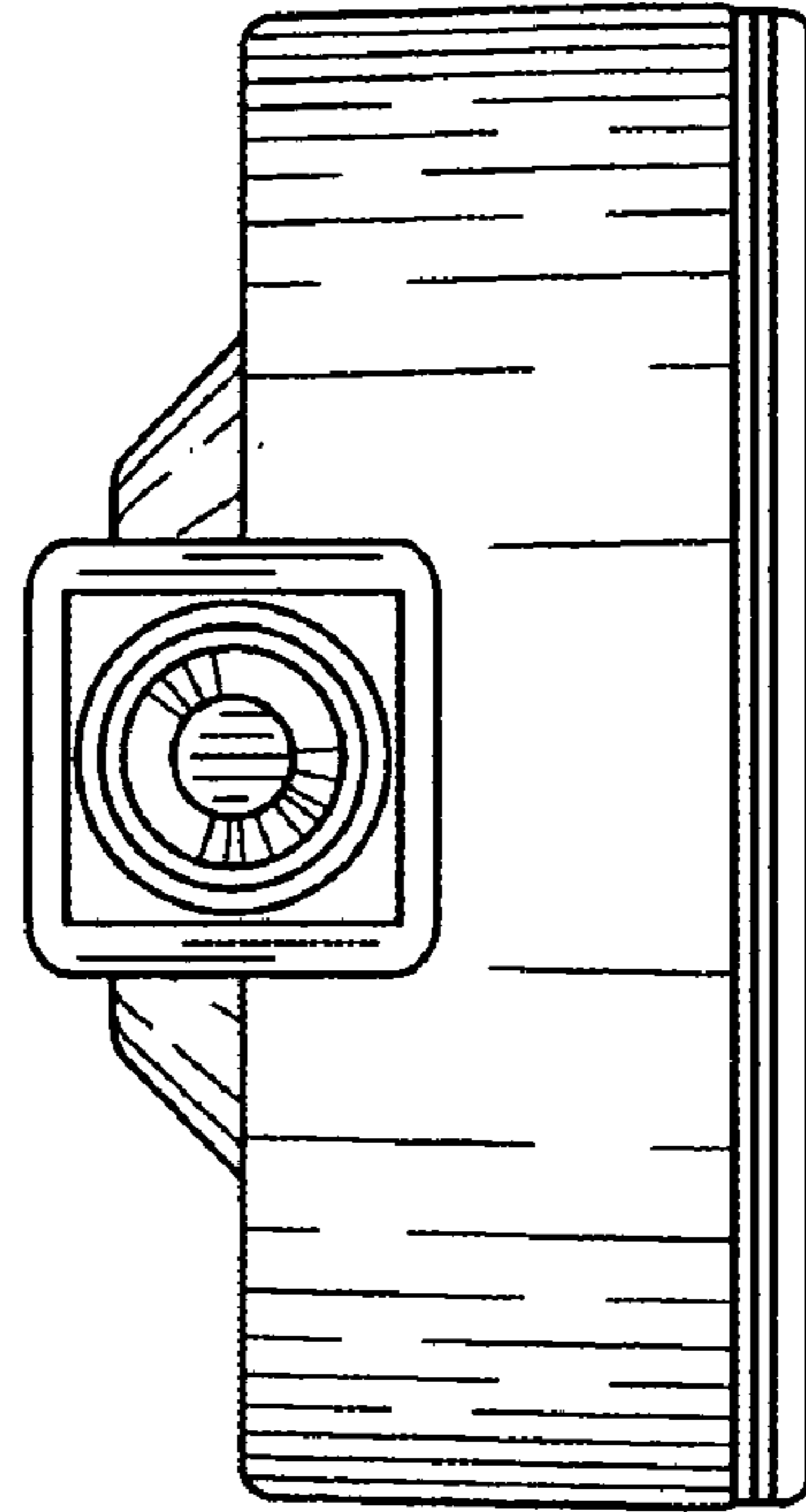


FIG. 5

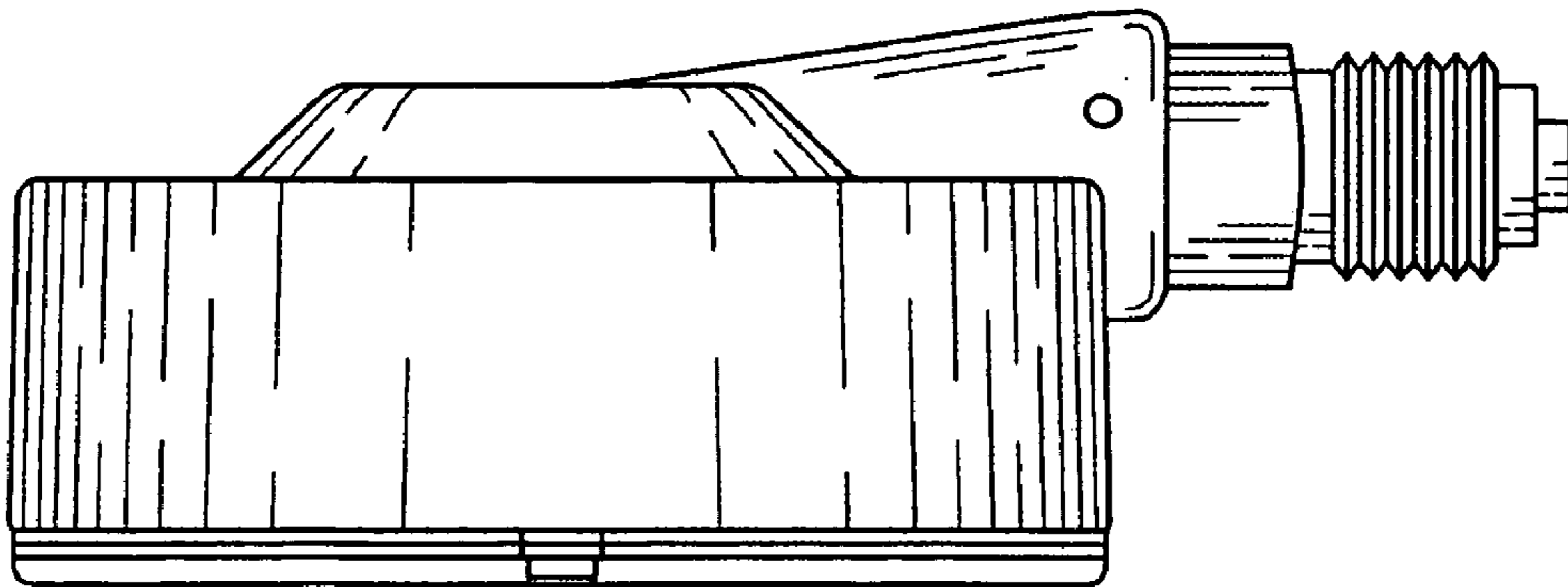


FIG. 3