



US00D545704S

(12) **United States Design Patent**  
**Kuramoto**

(10) **Patent No.:** **US D545,704 S**

(45) **Date of Patent:** **\*\* Jul. 3, 2007**

(54) **VOLT-OHM-AMMETER**

D514,005 S \* 1/2006 Gregorec et al. .... D10/79  
D517,434 S \* 3/2006 Chang ..... D10/79

(75) Inventor: **Masamichi Kuramoto**, Meguro-ku (JP)

\* cited by examiner

(73) Assignee: **Kyoritsu Electrical Instruments Works, Ltd.**, Tokyo (JP)

*Primary Examiner*—Antoine D. Davis  
(74) *Attorney, Agent, or Firm*—Oblon, Spivak, McClelland, Maier & Neustadt, P.C.

(\*\*) Term: **14 Years**

(21) Appl. No.: **29/237,927**

(57) **CLAIM**

(22) Filed: **Sep. 9, 2005**

The ornamental design for a volt-ohm-ammeter, as shown and described.

(51) **LOC (8) Cl.** ..... **10-04**

(52) **U.S. Cl.** ..... **D10/79**

(58) **Field of Classification Search** ..... D10/79;  
324/72.5, 110, 114, 115, 149, 151 A, 151 R,  
324/156, 158 F, 158 P, 126–130  
See application file for complete search history.

**DESCRIPTION**

FIG. 1 is a top plan view of a volt-ohm-ammeter, showing my new design.

FIG. 2 is a front elevational view thereof;

FIG. 3 is a bottom plan view thereof;

FIG. 4 is a right side elevational view thereof;

FIG. 5 is a left side elevational view thereof;

FIG. 6 is a rear elevational view thereof;

FIG. 7 is a reference front elevational view thereof in use; and,

FIG. 8 is a top and right front perspective view thereof.

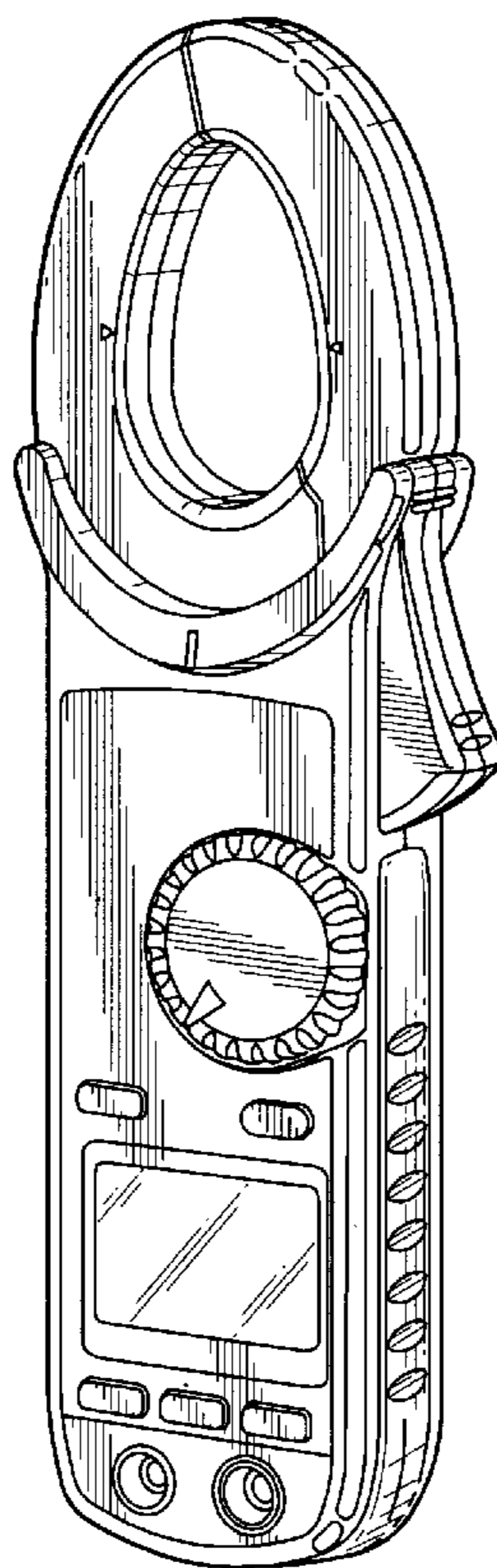
The broken line showing of a circle and indicia are included for the purpose of illustrating non-claimed subject matter and forms no part of the claimed design.

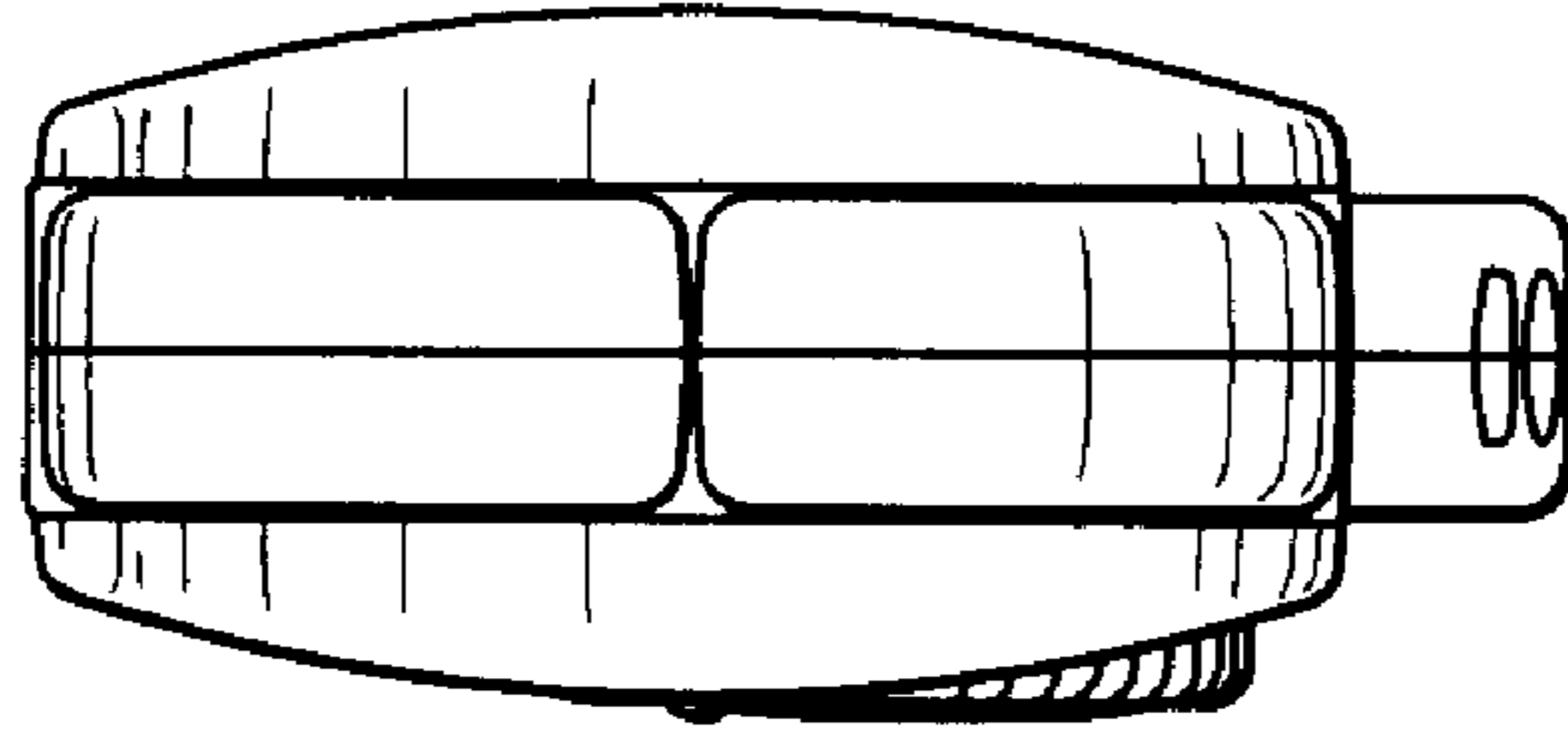
(56) **References Cited**

U.S. PATENT DOCUMENTS

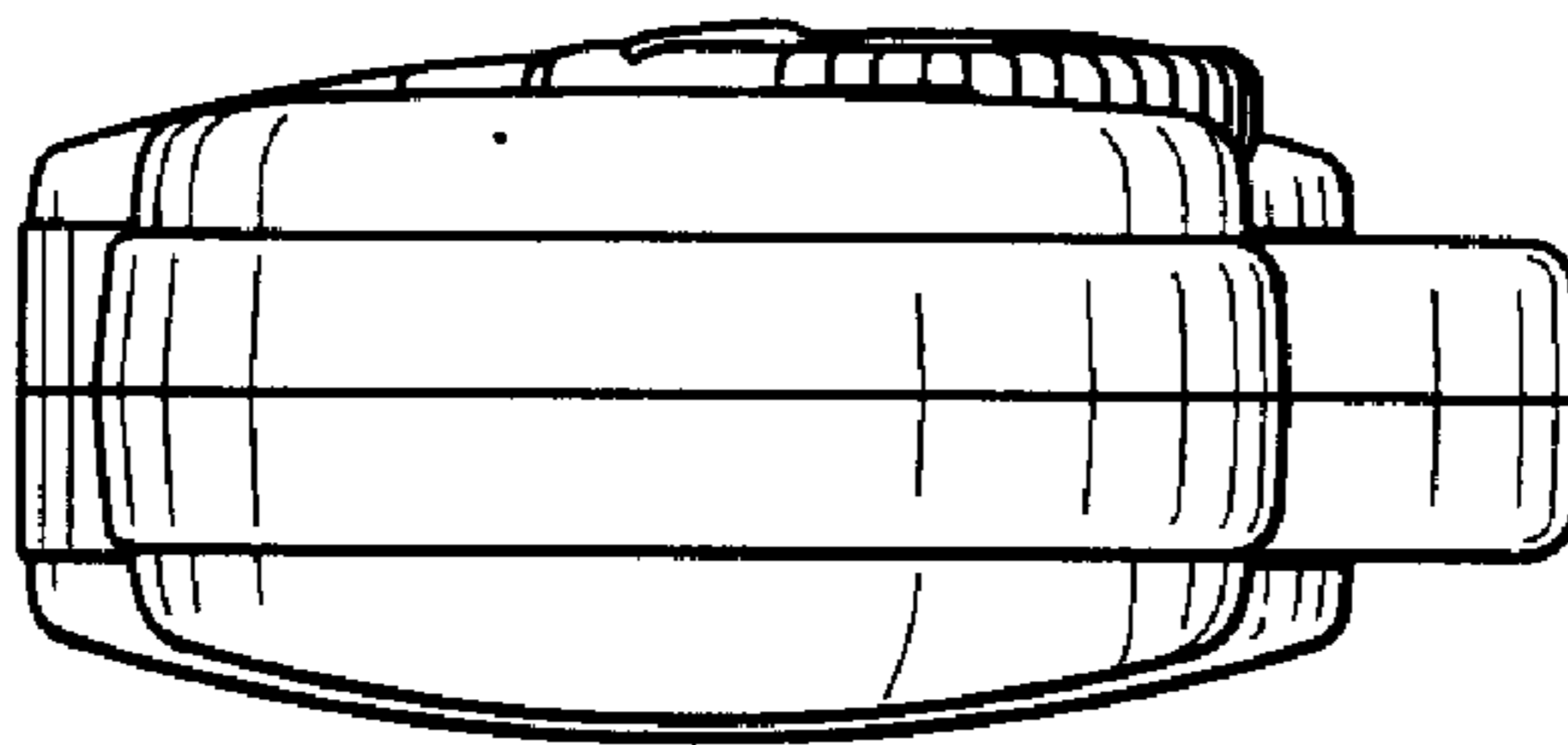
D335,095 S	4/1993	Kuramoto	
D358,349 S	5/1995	Kuramoto	
D401,172 S	11/1998	Kuramoto	
D422,229 S	4/2000	Kuramoto	
D440,892 S *	4/2001	Kuramoto	..... D10/79
D450,002 S *	11/2001	Chang	..... D10/79
D467,190 S *	12/2002	Ikeda et al.	..... D10/79
D472,830 S *	4/2003	Chang	..... D10/79
D474,704 S *	5/2003	Ikeda et al.	..... D10/79
D490,331 S	5/2004	Kuramoto	

**1 Claim, 7 Drawing Sheets**

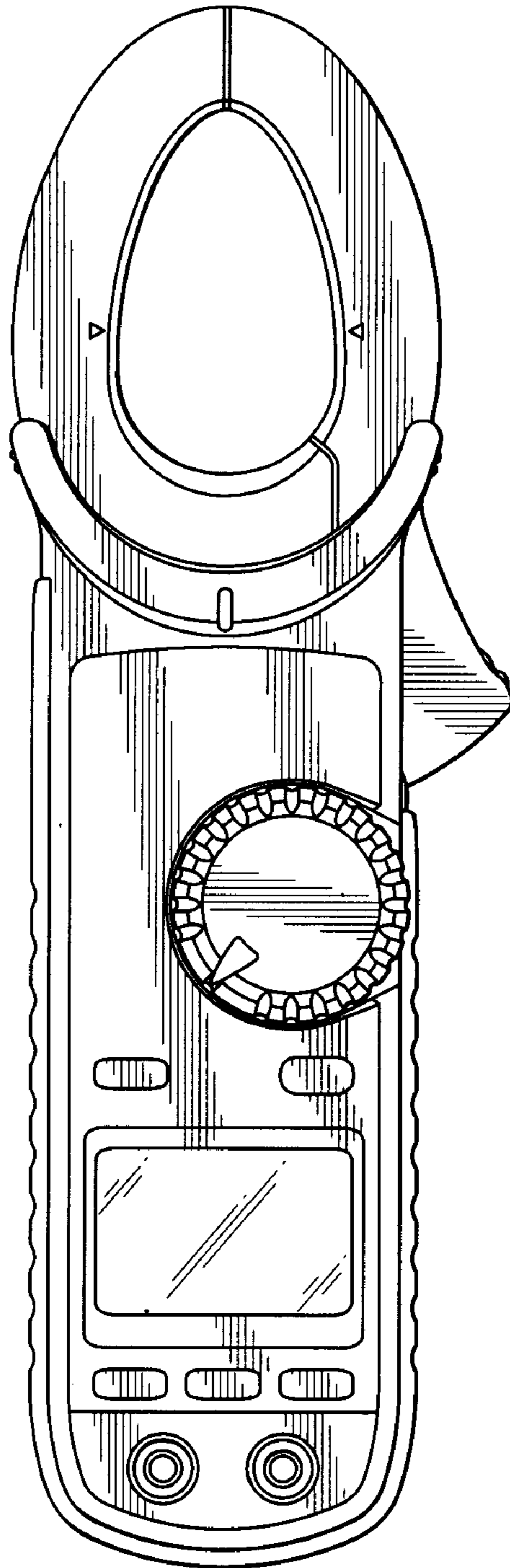




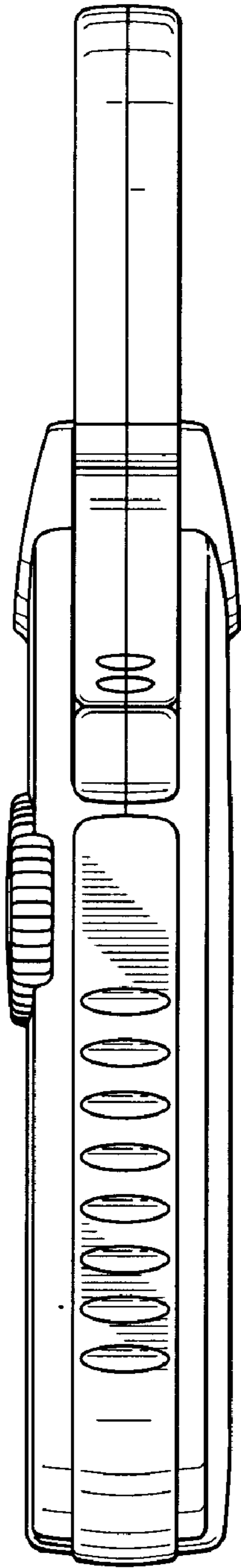
*Fig. 1*



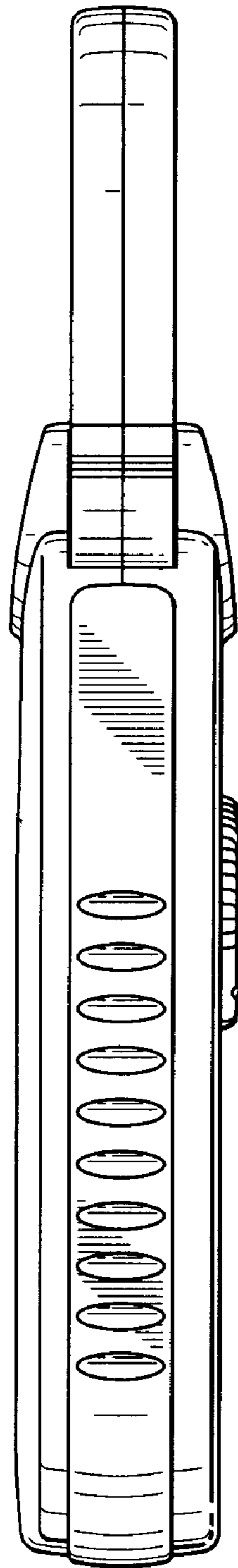
*Fig. 3*



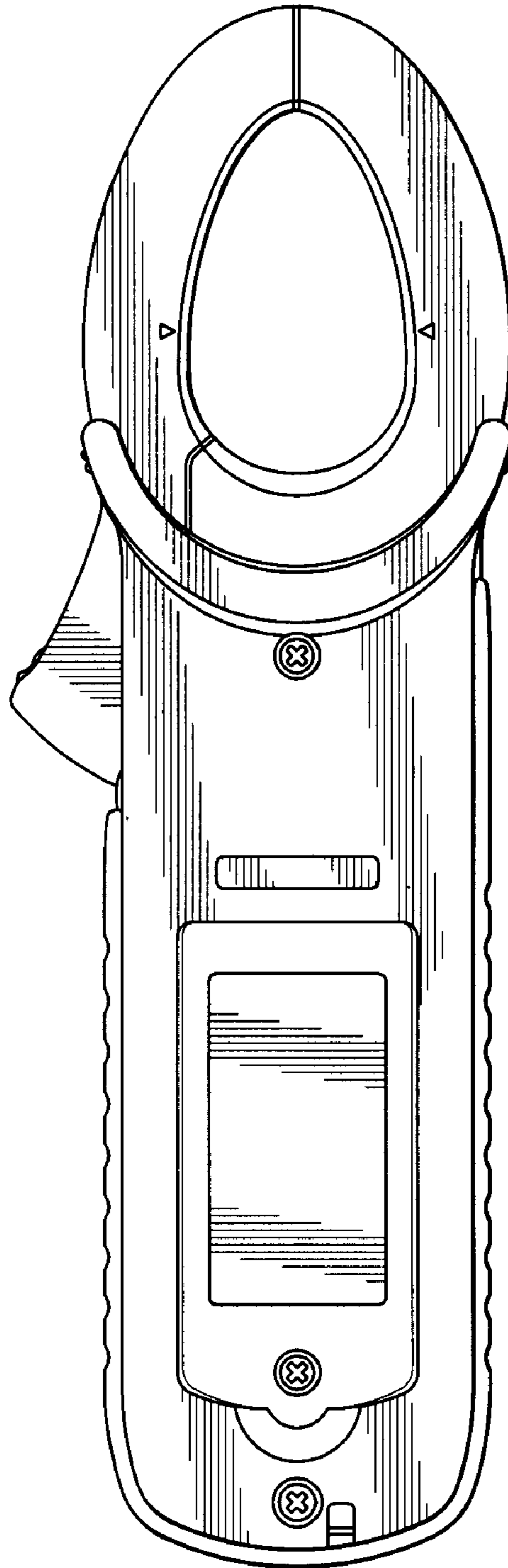
***Fig. 2***



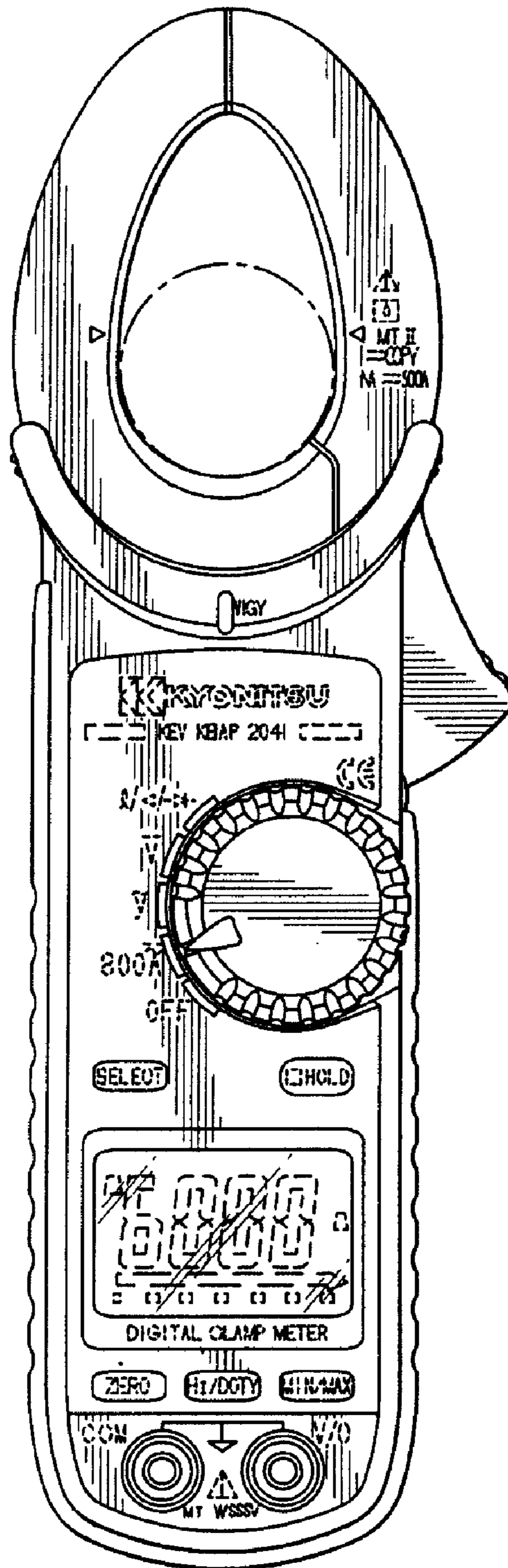
***Fig. 4***



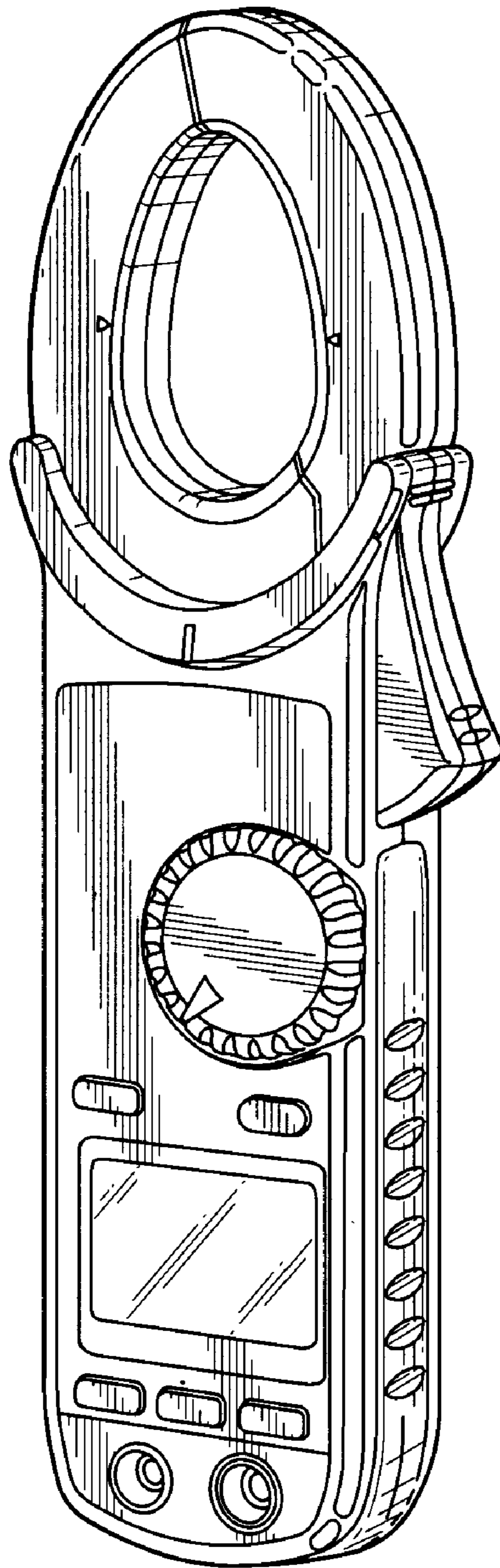
***Fig. 5***



***Fig. 6***



**Fig. 7**



***Fig. 8***