



US00D545699S

(12) **United States Design Patent**
Mudd et al.

(10) **Patent No.:** **US D545,699 S**
(45) **Date of Patent:** **** Jul. 3, 2007**

- (54) **POCKET SIZE NAVIGATION DEVICE**
- (75) Inventors: **John J. Mudd**, Olathe, KS (US);
Jeffrey D. Minelli, Olathe, KS (US);
David J. Laverick, Overland Park, KS (US)
- (73) Assignee: **Garmin Ltd.** (KY)
- (**) Term: **14 Years**
- (21) Appl. No.: **29/248,032**
- (22) Filed: **Jul. 26, 2006**

D457,445 S	5/2002	Schoenfish	D10/65
6,418,309 B1 *	7/2002	Moon et al.	455/418
6,501,429 B2 *	12/2002	Nakamura et al.	343/702
D469,367 S *	1/2003	Mirabelli et al.	D10/65
D477,597 S	7/2003	Laverick et al.	D14/346
D486,083 S	2/2004	Laverick et al.	D10/65
6,781,551 B2 *	8/2004	Gerber	343/702
6,876,871 B2 *	4/2005	Hirayama et al.	455/566
6,912,463 B2 *	6/2005	Miwa	701/213
D506,937 S *	7/2005	Lee et al.	D10/65
D508,213 S *	8/2005	Silzer et al.	D10/65
D509,760 S *	9/2005	Burrell et al.	D10/65
6,977,617 B2 *	12/2005	Asano et al.	343/702
D515,441 S *	2/2006	Shindo	D10/65
D517,932 S *	3/2006	Lum	D10/65
7,054,670 B2 *	5/2006	Wang et al.	455/566

Related U.S. Application Data

- (63) Continuation of application No. 29/229,291, filed on May 5, 2005, now Pat. No. Des. 531,920.
- (51) **LOC (8) Cl.** **10-04**
- (52) **U.S. Cl.** **D10/65**
- (58) **Field of Classification Search** D10/65,
D10/70; 340/539.13, 995.1; 342/357.13,
342/357.06–357.09, 357.1; 343/702; 455/566,
455/575.1, 150.1, 151.3, 90.1, 12.1, 456.1
See application file for complete search history.

* cited by examiner

Primary Examiner—Antoine D. Davis

(74) *Attorney, Agent, or Firm*—David L. Terrell

(57) **CLAIM**

The ornamental design for a pocket size navigation device, as shown and described.

DESCRIPTION

FIG. 1 is a front perspective view of a pocket size navigation device according to the present invention;
 FIG. 2 is a rear perspective view thereof;
 FIG. 3 is a top plan view thereof;
 FIG. 4 is a front elevational view thereof;
 FIG. 5 is a bottom plan view thereof;
 FIG. 6 is a rear elevational view thereof;
 FIG. 7 is a left side view thereof; and,
 FIG. 8 is a right side view thereof.

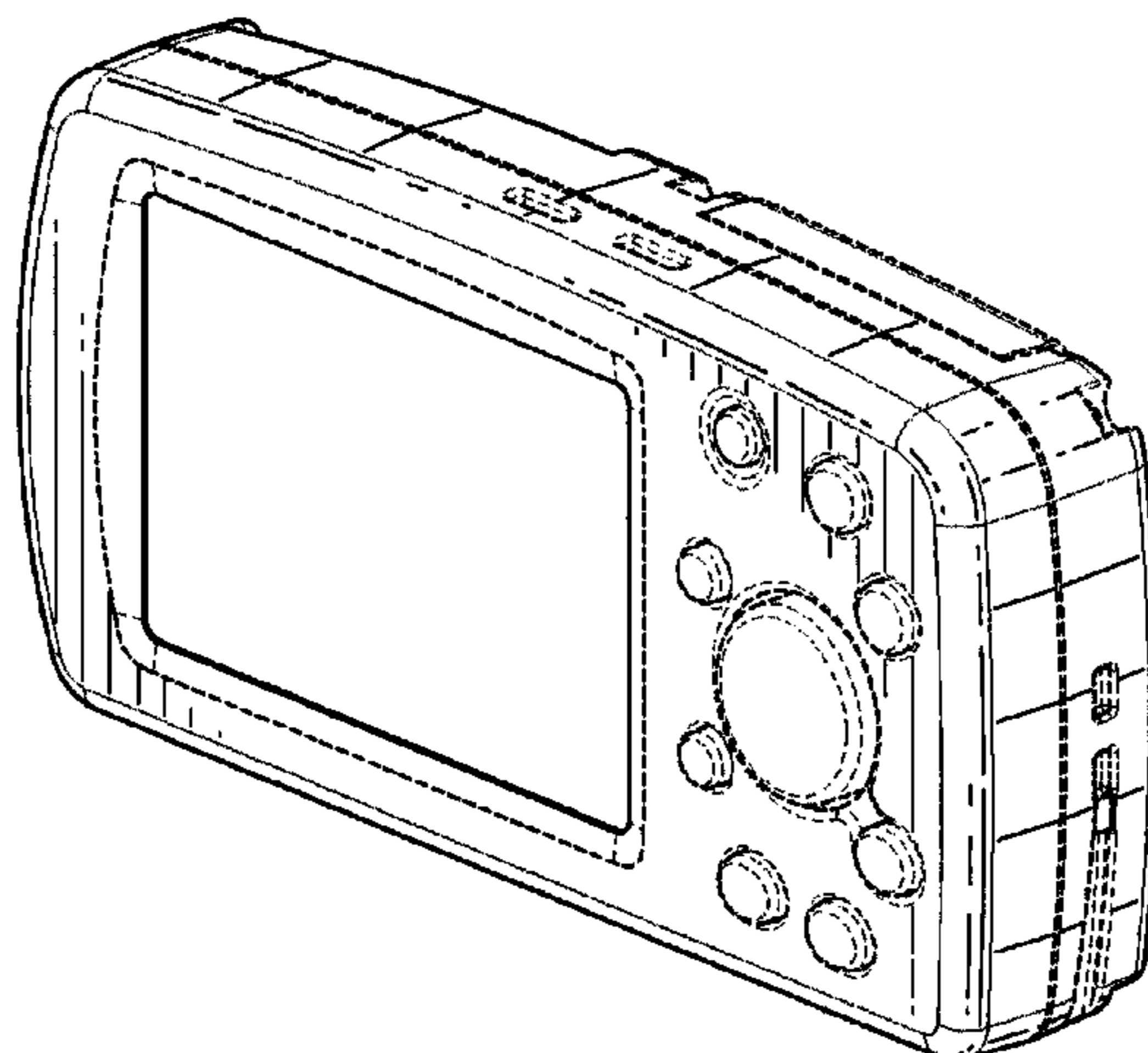
The broken line showing of portions of the pocket size navigational device is included for the purpose of illustrating broken lines and forms no part of the claimed design.

(56) **References Cited**

U.S. PATENT DOCUMENTS

D365,292 S	12/1995	Laverick et al.	D10/78
D366,220 S *	1/1996	Sakamoto	D10/65
D409,927 S	5/1999	Wieggers et al.	D10/65
D426,481 S	6/2000	Laverick	D10/103
D427,919 S	7/2000	Laverick et al.	D10/65
D440,505 S	4/2001	Laverick	D10/65
D453,300 S	2/2002	Schoenfish et al.	D10/65
D453,481 S	2/2002	Schoenfish	D10/74
D455,665 S	4/2002	Schoenfish et al.	D10/74
D456,289 S	4/2002	Laverick	D10/65
D456,794 S	5/2002	Laverick et al.	D14/138

1 Claim, 4 Drawing Sheets



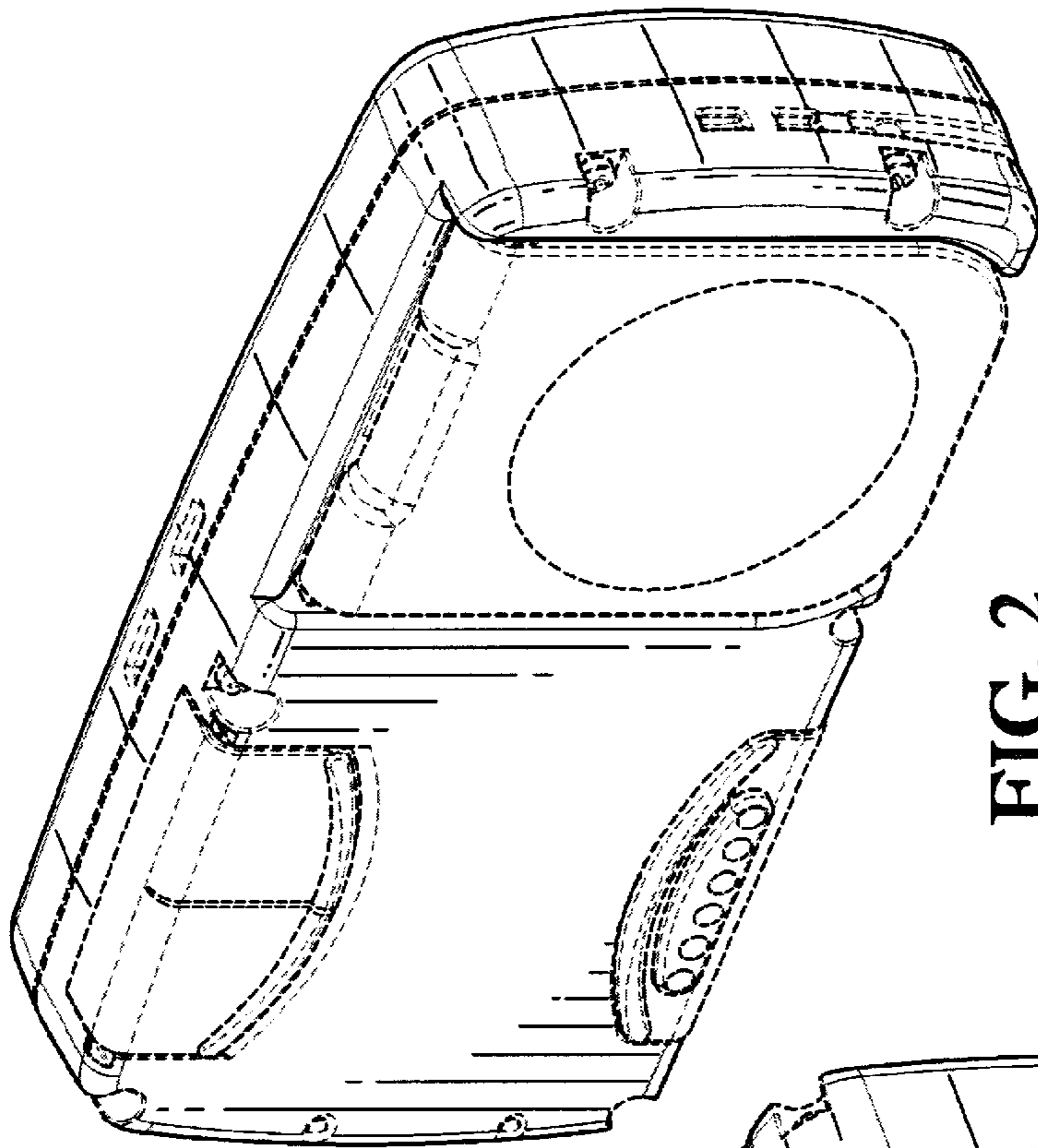


FIG. 2

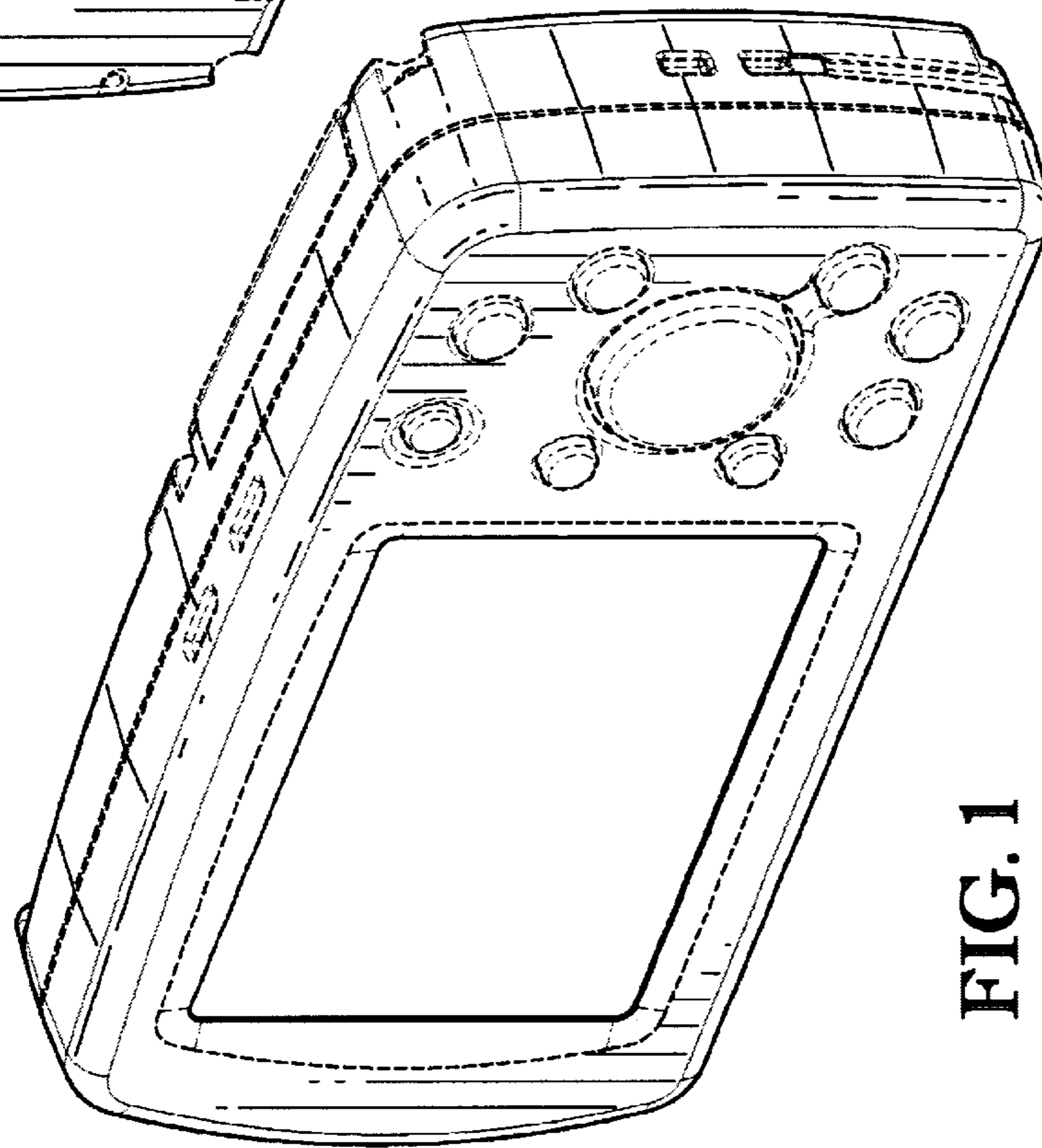


FIG. 1

FIG. 3

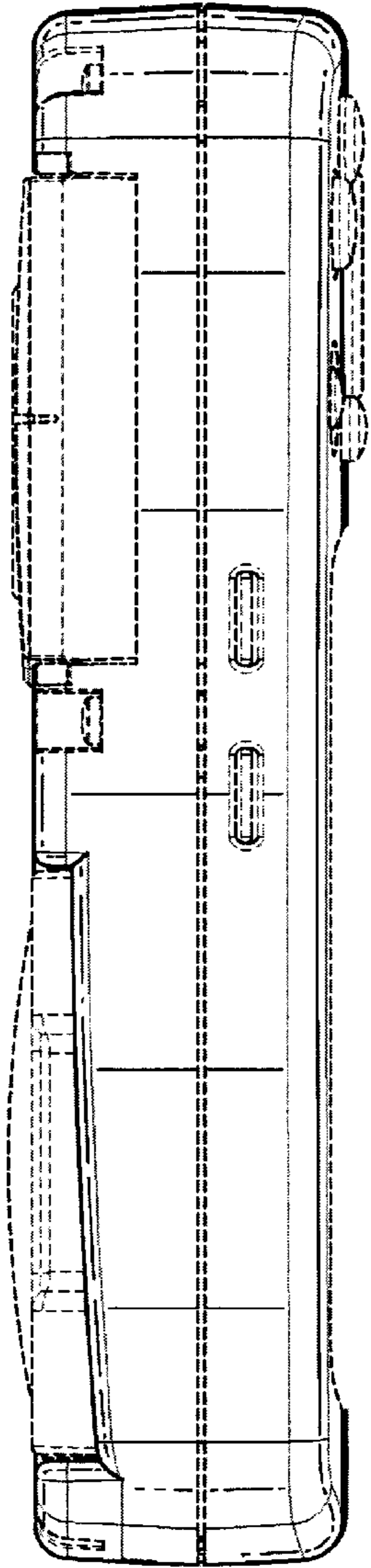


FIG. 4

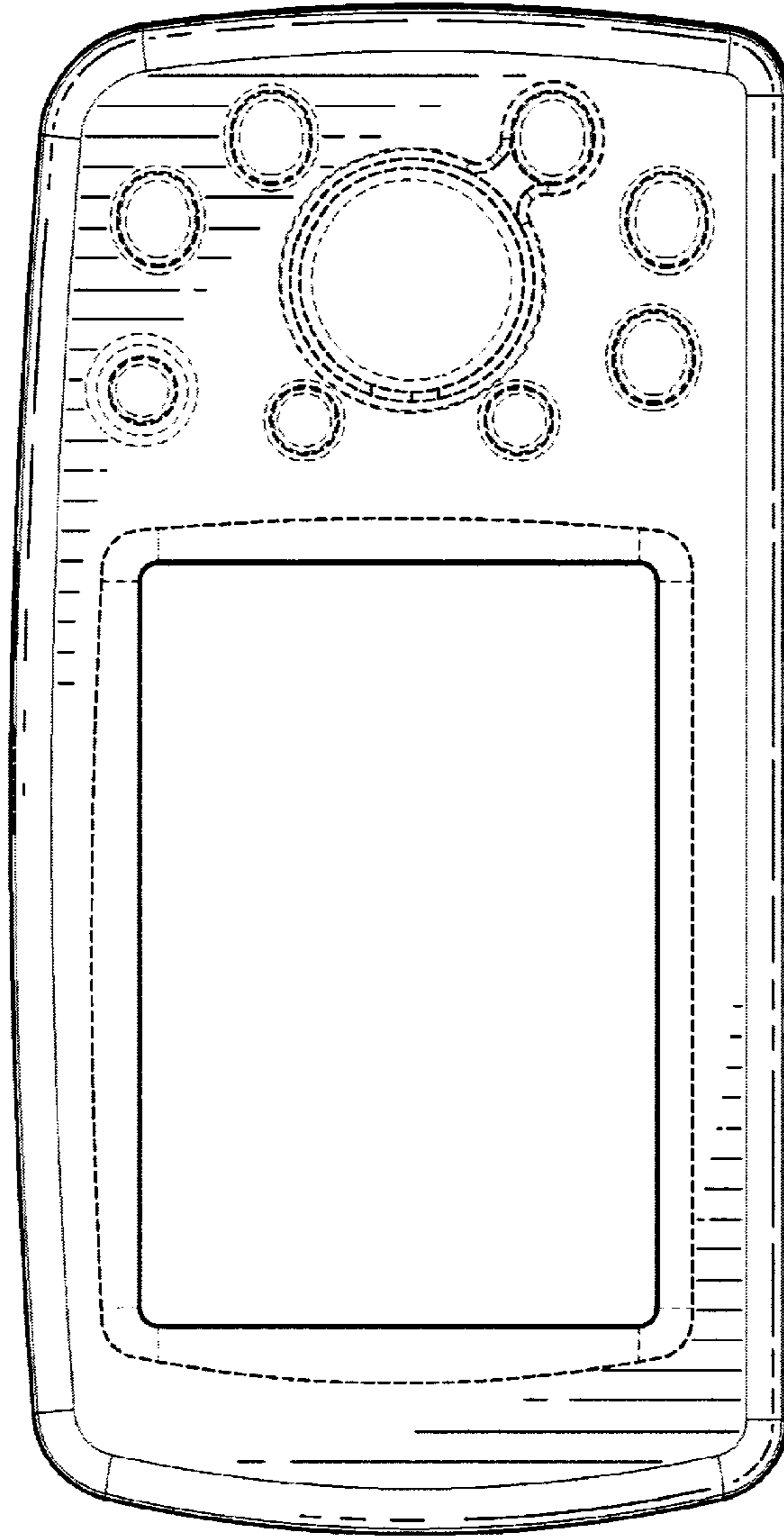


FIG. 5

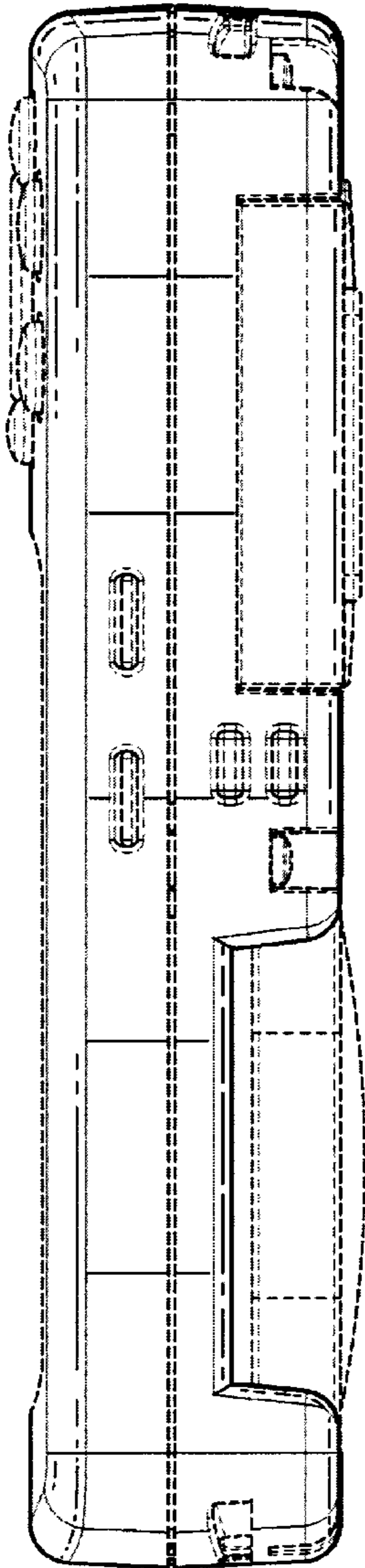
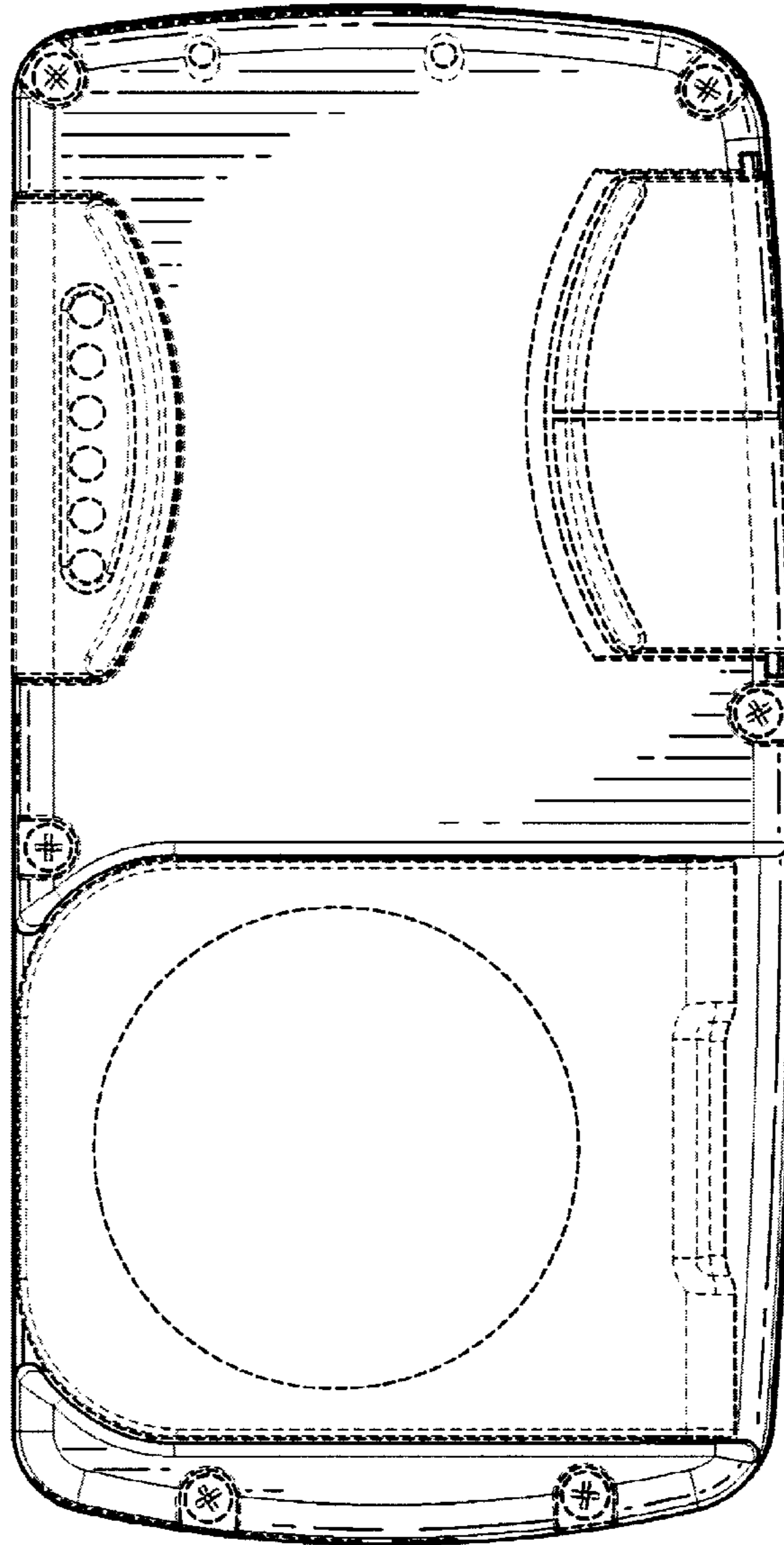


FIG. 6



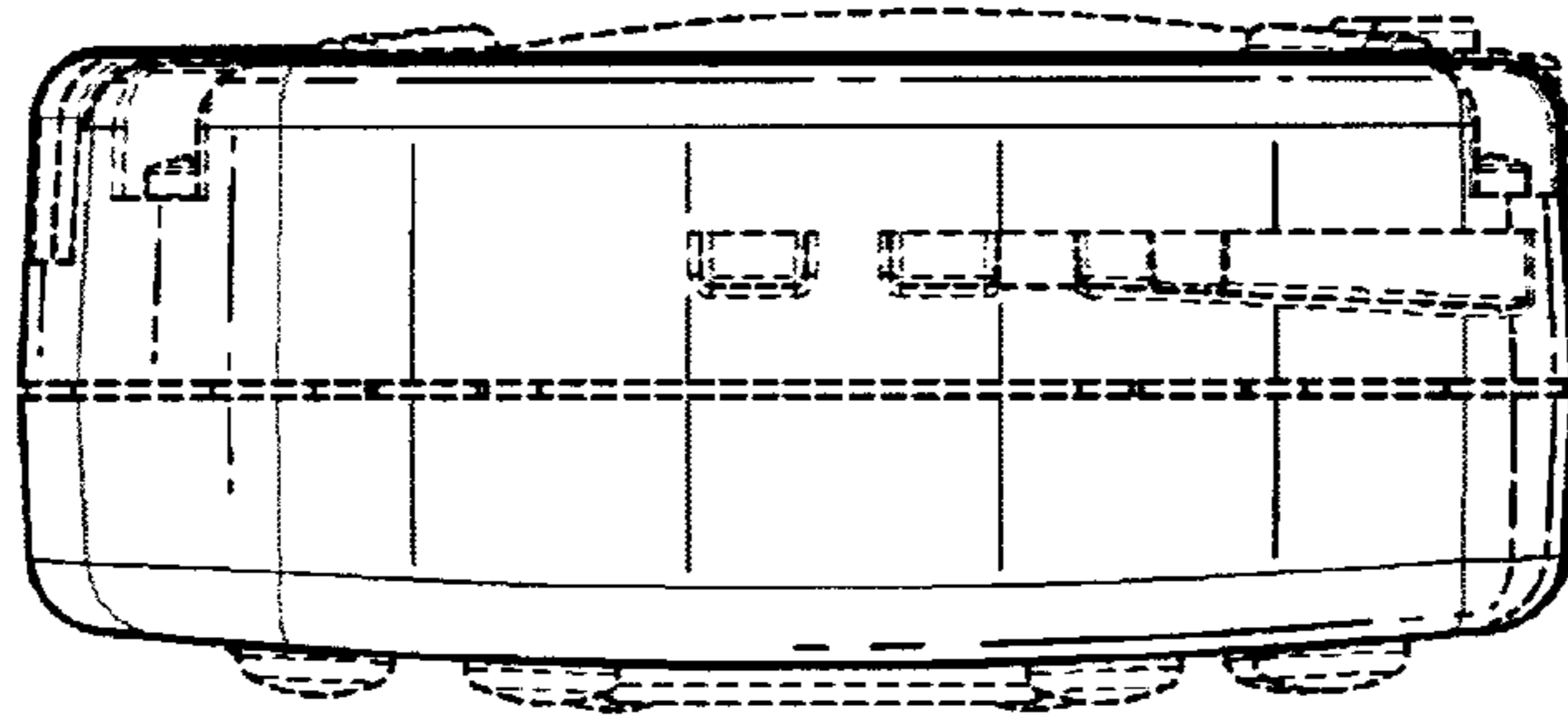


FIG. 8

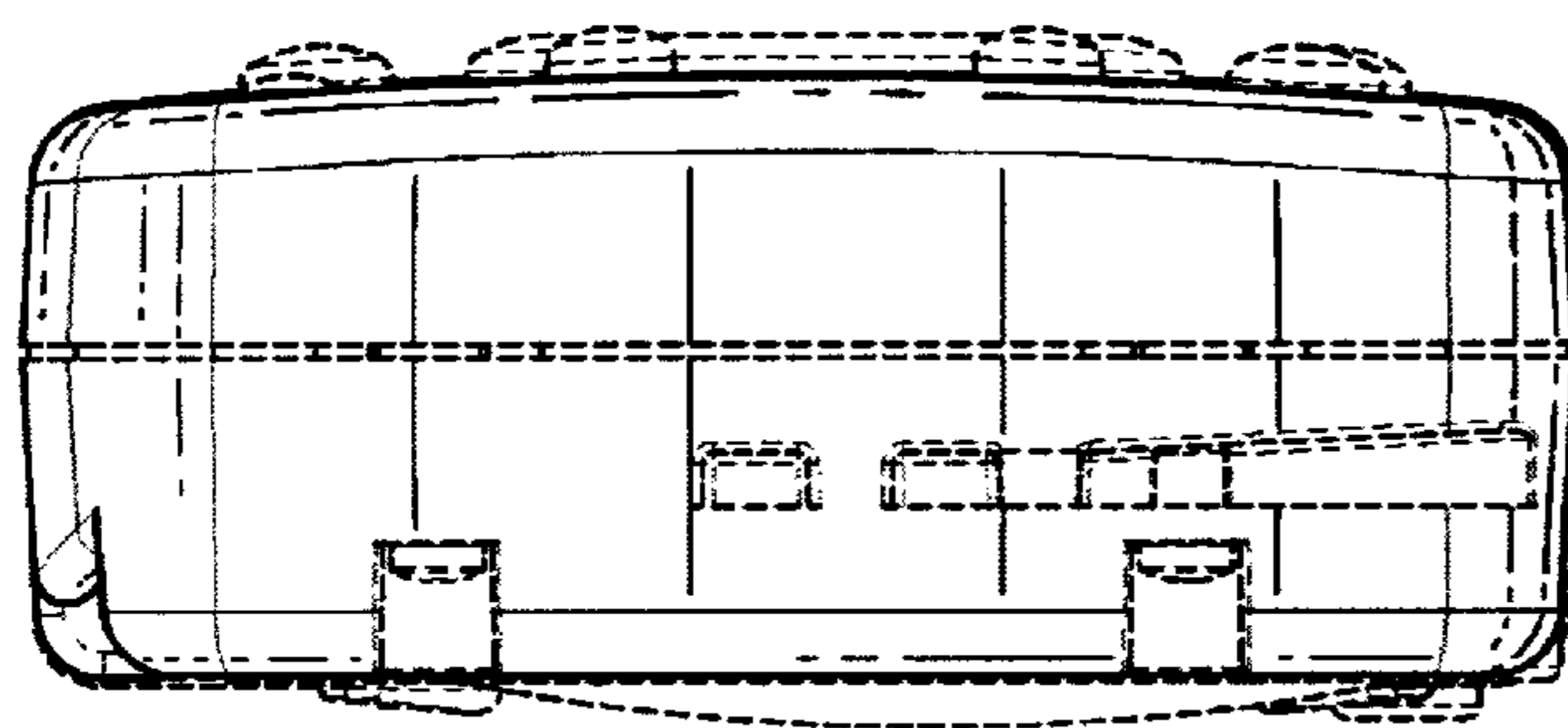


FIG. 7