



US00D545697S

(12) **United States Design Patent**
Martin

(10) **Patent No.:** **US D545,697 S**

(45) **Date of Patent:** **** Jul. 3, 2007**

- (54) **PORTION OF A WATCH**
- (75) Inventor: **Jason P. Martin**, Lake Oswego, OR (US)
- (73) Assignee: **Nike, Inc.**, Beaverton, OR (US)
- (**) Term: **14 Years**
- (21) Appl. No.: **29/275,961**
- (22) Filed: **Jan. 10, 2007**
- (51) **LOC (8) Cl.** **10-02**
- (52) **U.S. Cl.** **D10/38**
- (58) **Field of Classification Search** D10/30-39, D10/123-126; 368/276, 277, 281, 282, 285, 368/223, 228, 232, 21, 28, 80, 29-30, 82-84, 368/239-242

See application file for complete search history.

(56) **References Cited**

U.S. PATENT DOCUMENTS

- 2,361,563 A 10/1944 Pellaton
- 3,503,203 A * 3/1970 Gruner et al. 368/21
- D317,128 S 5/1991 Benson
- 5,051,967 A * 9/1991 Dismond, III 368/62
- D336,616 S 6/1993 Gueit
- 5,220,541 A 6/1993 Vuilleumier
- 5,339,293 A * 8/1994 Kamiyama et al. 368/21
- D350,291 S 9/1994 Burgener
- D352,470 S 11/1994 Besson
- D368,433 S 4/1996 Schulze
- D378,498 S 3/1997 Wettstein
- D382,815 S * 8/1997 Riley D10/30
- 6,108,278 A * 8/2000 Rochat 368/28
- D445,342 S 7/2001 Clerc
- D447,063 S 8/2001 Scheufele
- D447,705 S * 9/2001 Scheufele D10/39
- 6,379,037 B1 4/2002 Saleh et al.
- D457,817 S 5/2002 Brandt

- D470,776 S 2/2003 Blondin
- D473,473 S * 4/2003 Wunderman D10/32
- 6,570,823 B1 5/2003 Gilomen et al.
- 6,577,558 B1 6/2003 Ricci
- 6,761,478 B2 7/2004 Schmiedchen et al.
- D502,411 S 3/2005 Sabarthes et al.
- 6,894,951 B1 * 5/2005 Brandt et al. 368/80
- D507,496 S 7/2005 Tang
- D508,416 S 8/2005 Tang
- D508,859 S 8/2005 Ho
- D515,946 S 2/2006 Jorst et al.
- 7,029,169 B2 4/2006 Takahashi et al.
- D519,854 S 5/2006 Modolo
- D520,384 S * 5/2006 Scheufele D10/39
- D521,394 S 5/2006 Tang
- D538,184 S * 3/2007 Scheufele D10/39

* cited by examiner

Primary Examiner—Lucy Lieberman

(74) *Attorney, Agent, or Firm*—Banner & Witcoff, Ltd.

(57) **CLAIM**

The ornamental design for a portion of a watch, as shown and described.

DESCRIPTION

FIG. 1 is a front right perspective view of a portion of a watch showing my new design;

FIG. 2 is a front view thereof;

FIG. 3 is a rear view thereof;

FIG. 4 is a left side view thereof;

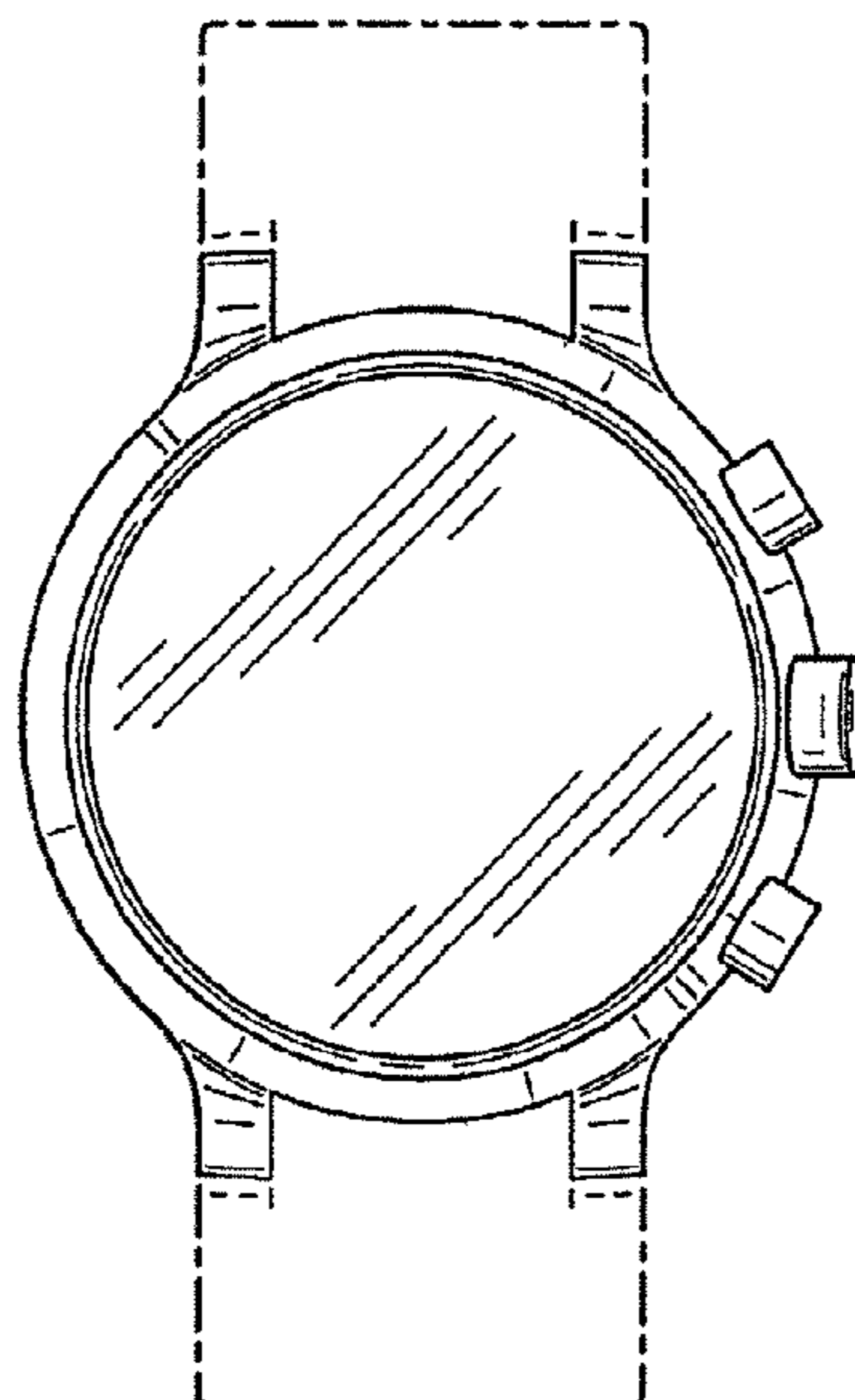
FIG. 5 is a right side view thereof;

FIG. 6 is a bottom view thereof; and,

FIG. 7 is a top view thereof.

The broken line showing of the watch strap is for illustrative purposes only and forms no part of the claimed design.

1 Claim, 4 Drawing Sheets



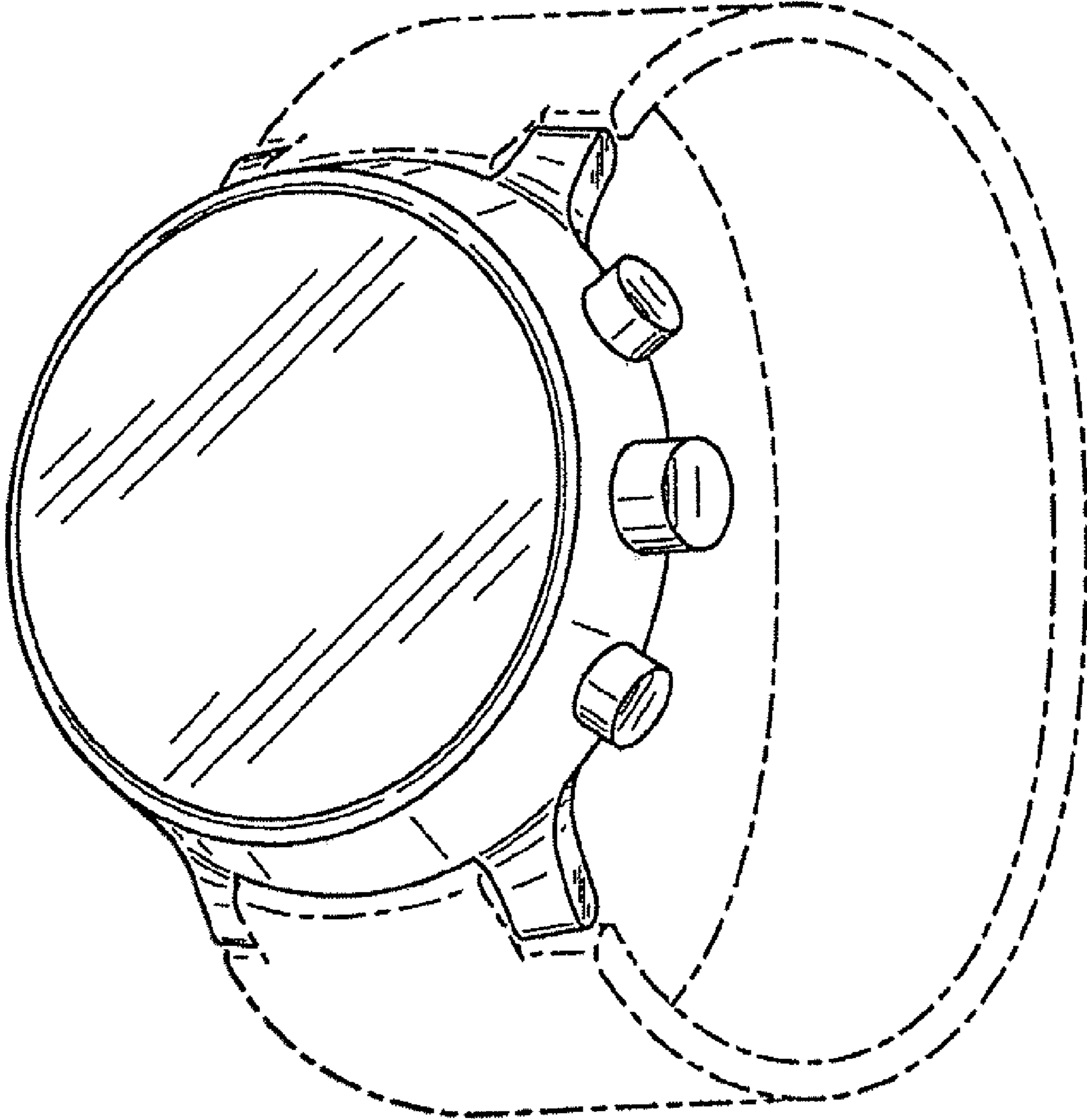


FIG. 1

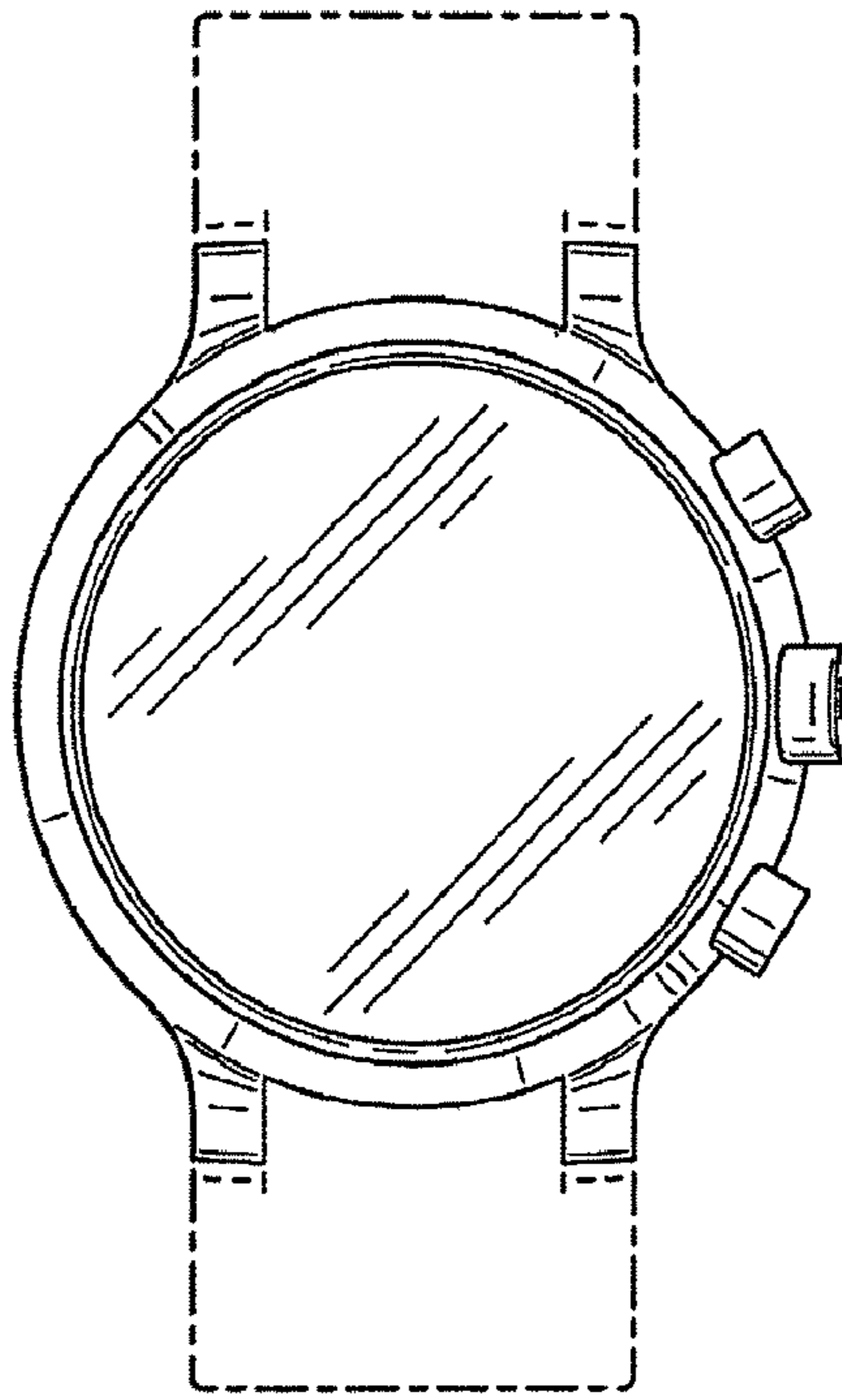


FIG. 2

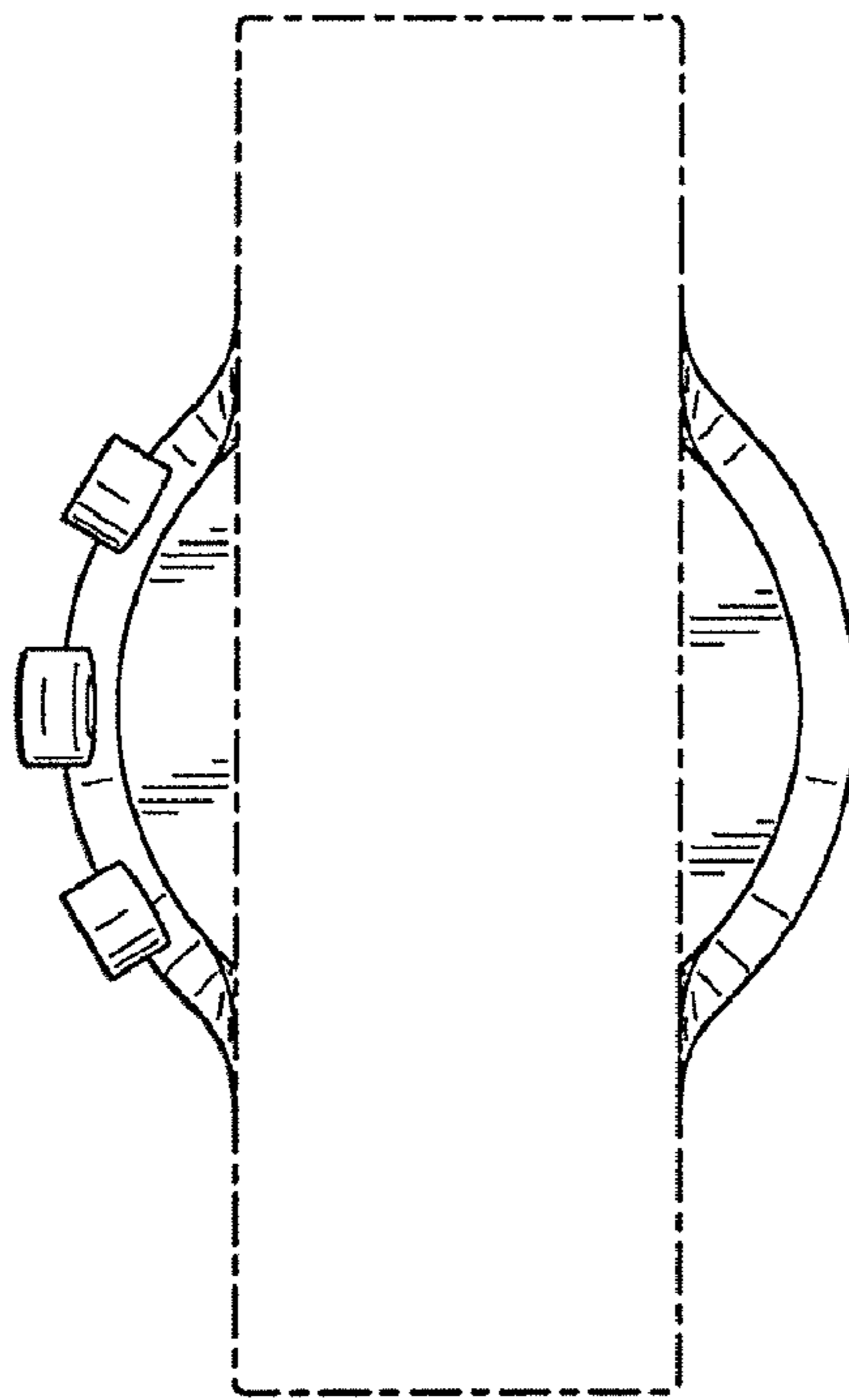


FIG. 3

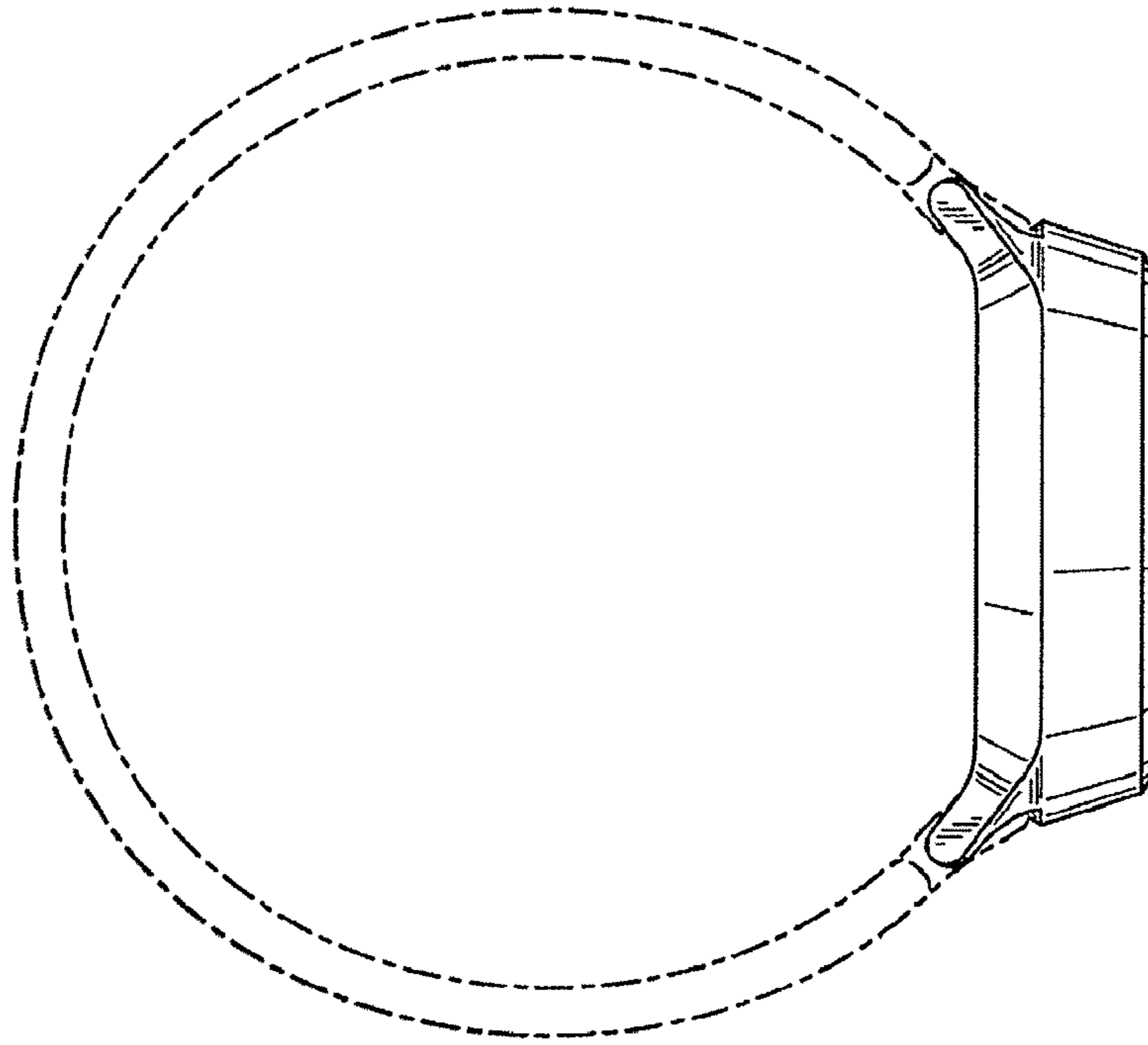


FIG. 4

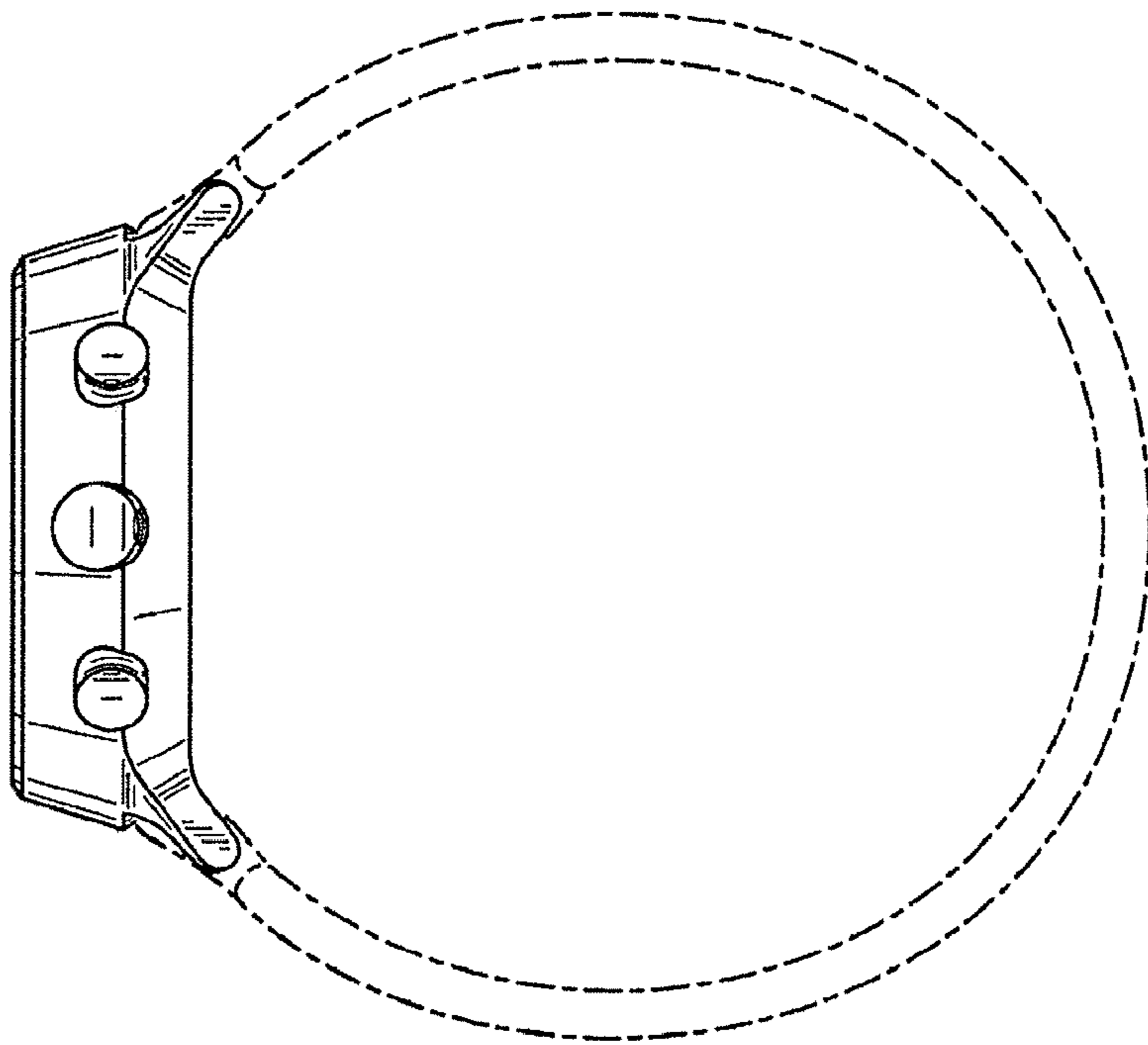


FIG. 5

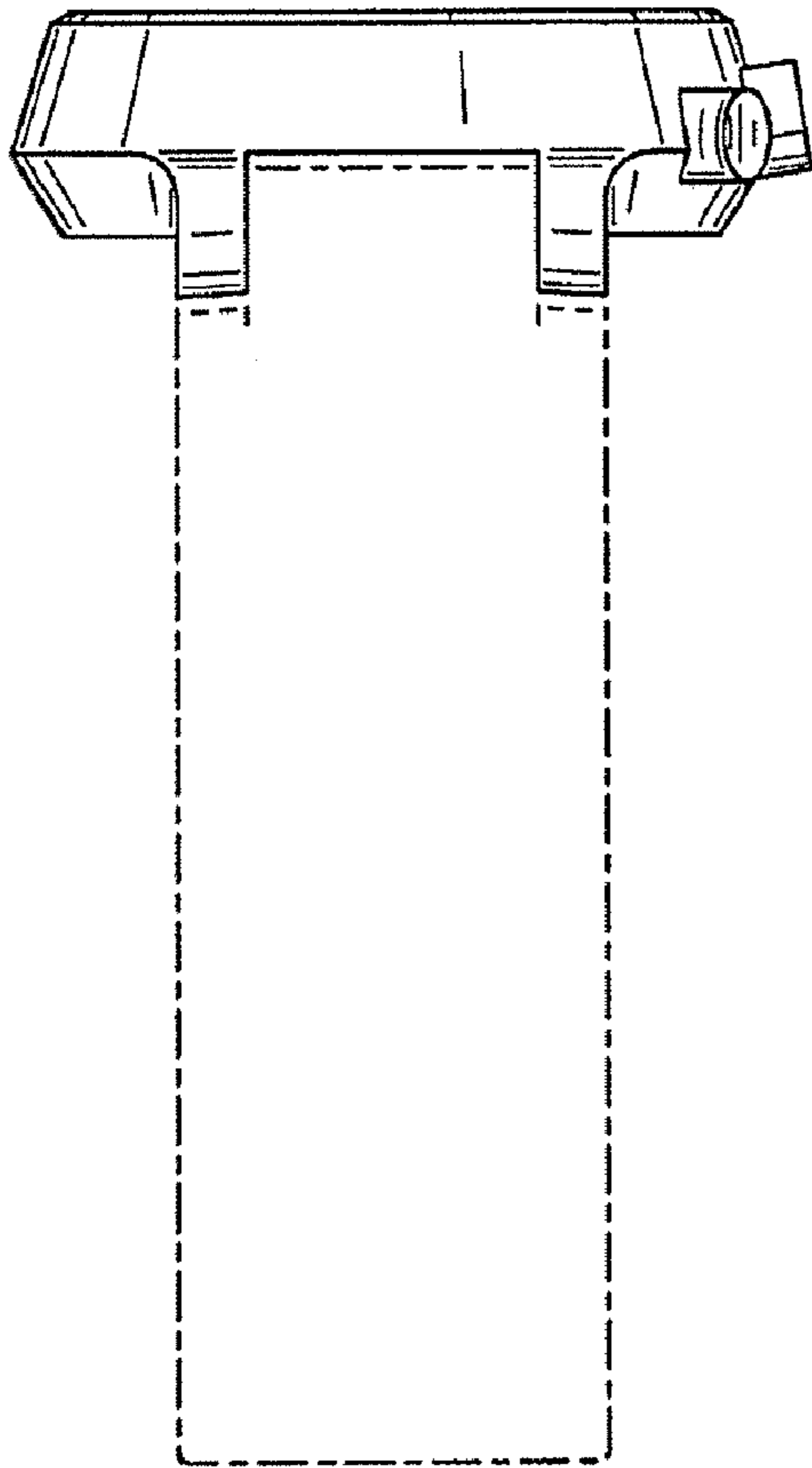


FIG. 6

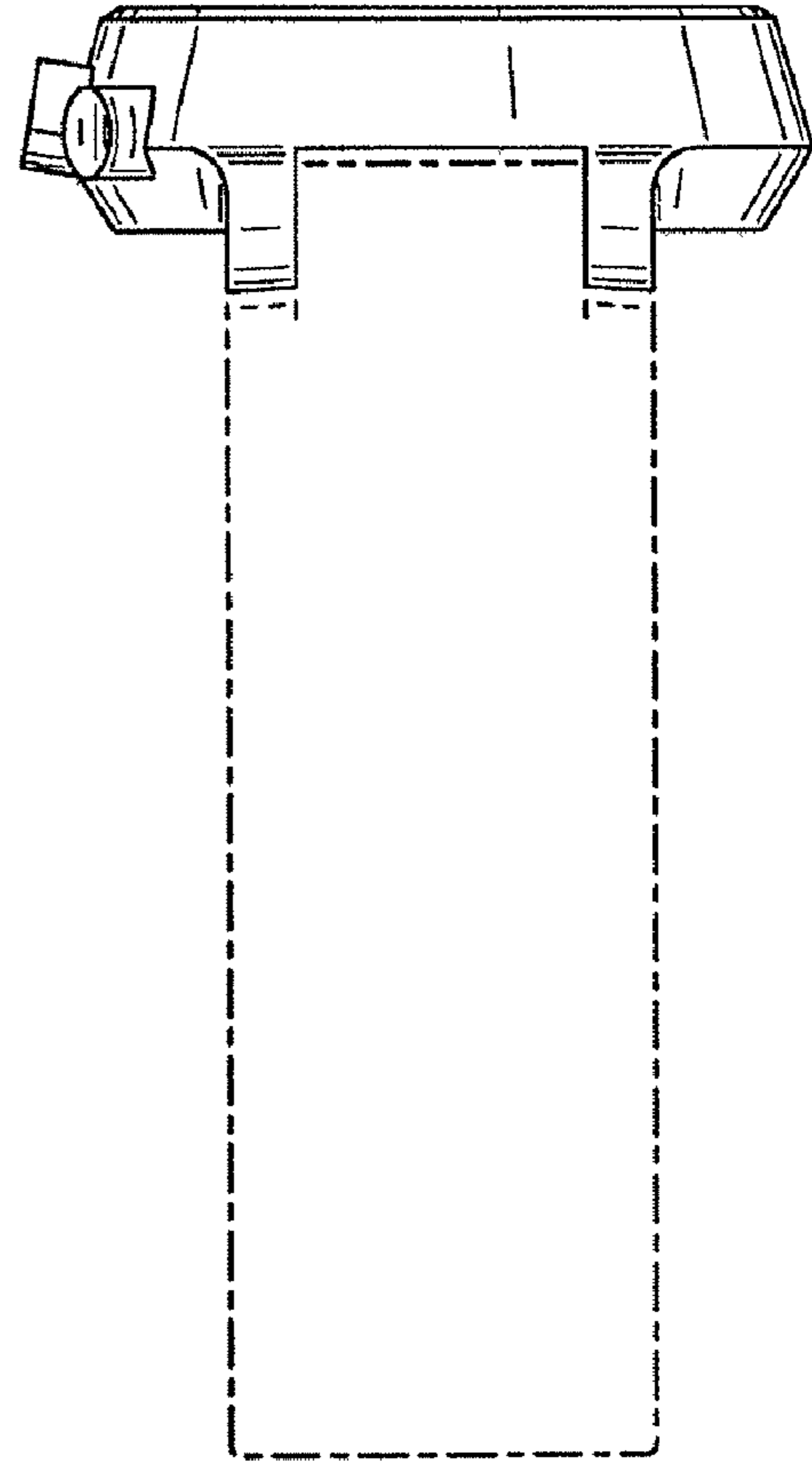


FIG. 7