



US00D545696S

(12) **United States Design Patent**  
**Dornier**

(10) **Patent No.:** **US D545,696 S**

(45) **Date of Patent:** **\*\* Jul. 3, 2007**

(54) **WRISTWATCH**

(76) **Inventor:** **Irén Dornier**, Prinzregentenplatz 11,  
81675 Munchen (DE)

(\*\*) **Term:** **14 Years**

(21) **Appl. No.:** **29/216,401**

(22) **Filed:** **Nov. 2, 2004**

(30) **Foreign Application Priority Data**

May 3, 2004 (EM) ..... 000 174 248

(51) **LOC (8) Cl.** ..... **10-02**

(52) **U.S. Cl.** ..... **D10/32**

(58) **Field of Classification Search** ..... D10/30-39,  
D10/122-129; 368/80, 223, 228-229, 232,  
368/276, 280-283, 285, 28-30, 21  
See application file for complete search history.

(56) **References Cited**

**U.S. PATENT DOCUMENTS**

D31,673 S	*	10/1899	Pank	.....	D10/126
D32,683 S	*	5/1900	Baldwin	.....	D10/126
D55,265 S	*	5/1920	Friedman	.....	D10/129
2,044,808 A	*	6/1936	Povelsen	.....	368/28
2,564,270 A	*	8/1951	McMillen	.....	368/228
D326,058 S	*	5/1992	Schneider	.....	D10/39
5,177,712 A	*	1/1993	Kakizawa	.....	368/28
D379,324 S	*	5/1997	Osit	.....	D10/128
D496,874 S	*	10/2004	Nataf	.....	D10/126
D509,755 S	*	9/2005	Roden	.....	D10/32
2002/0027834 A1	*	3/2002	Thalheim	.....	368/276

**OTHER PUBLICATIONS**

Chronograph Wristwatches—To Stop Time, Gerd-R Lang and Reinhard Meis, Schiffer Publishings, Ltd, 1993, p. 194, Watch #383/384 Patek Philippe—1950. Two photos on the right hand side of the page.\*

Wristwatches, A Handbook & Price Guide, Gisbert L. Brunner & Christian Pfeiffer-Bell, Schiffer Publishings, Ltd 1993, p. 131, Watch #272 Doxa—1938. Middle watch in the left column.\*

Wristwatches, A Handbook & Price Guide, Gisbert L. Brunner & Christian Pfeiffer-Bell, Schiffer Publishings, Ltd 1993, p. 135, Watch#292 Heuer—1944. Watch in the top row right column.\*

\* cited by examiner

*Primary Examiner*—Janice Seeger

*Assistant Examiner*—Zenja I Bennett

(74) *Attorney, Agent, or Firm*—Greer, Burns & Crain, Ltd.

(57) **CLAIM**

The ornamental design for a wristwatch, as shown and described.

**DESCRIPTION**

FIG. 1 is a front view of a wristwatch, showing my new design.

FIG. 2 is a front and left side perspective view thereof.

FIG. 3 is a front and right side perspective view thereof.

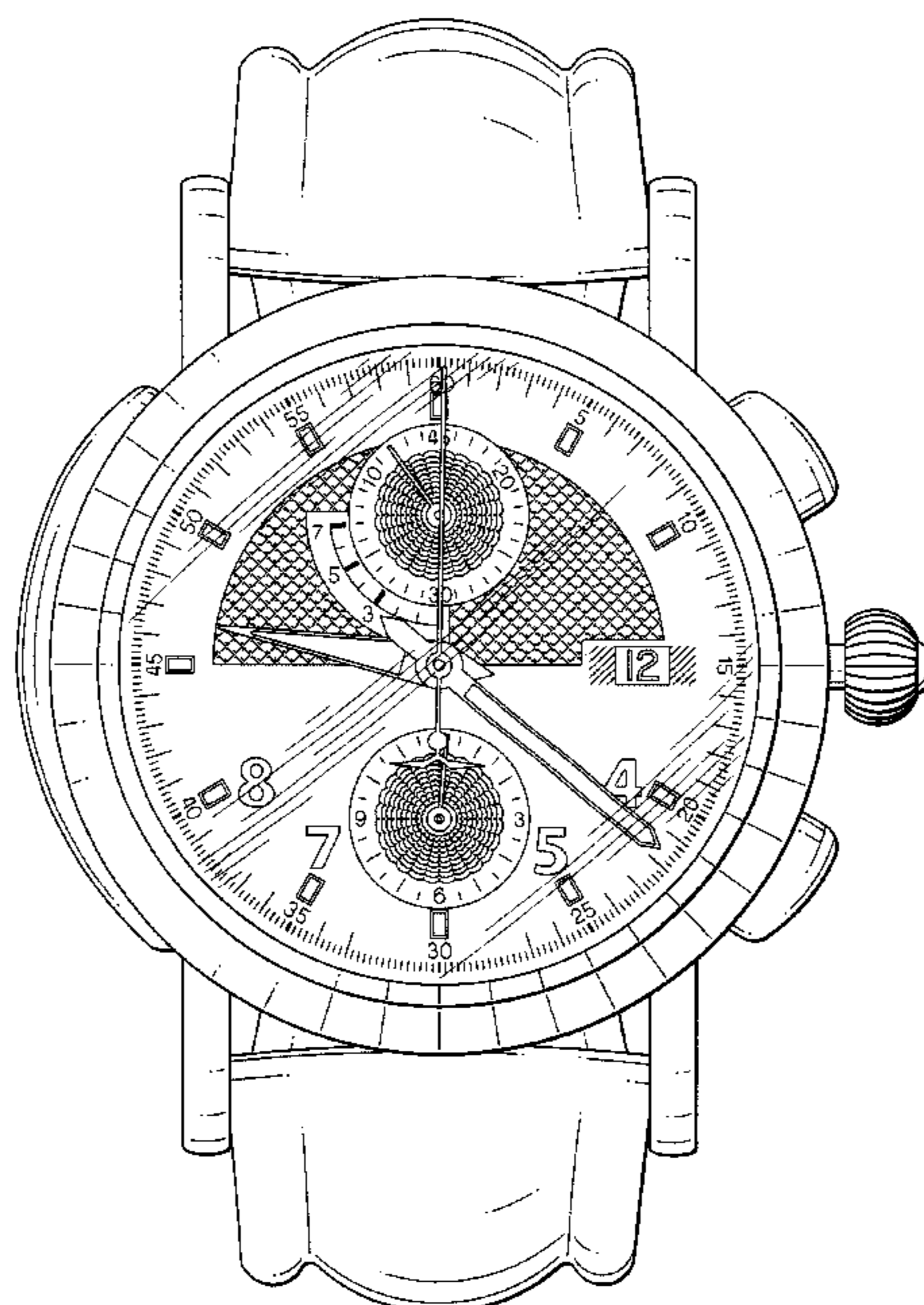
FIG. 4 is a rear view thereof.

FIG. 5 is an enlarged right side perspective view thereof; and,

FIG. 6 is an enlarged left side perspective view thereof.

The broken lines are for environmental purposes only and form no part of the claimed design.

**1 Claim, 4 Drawing Sheets**



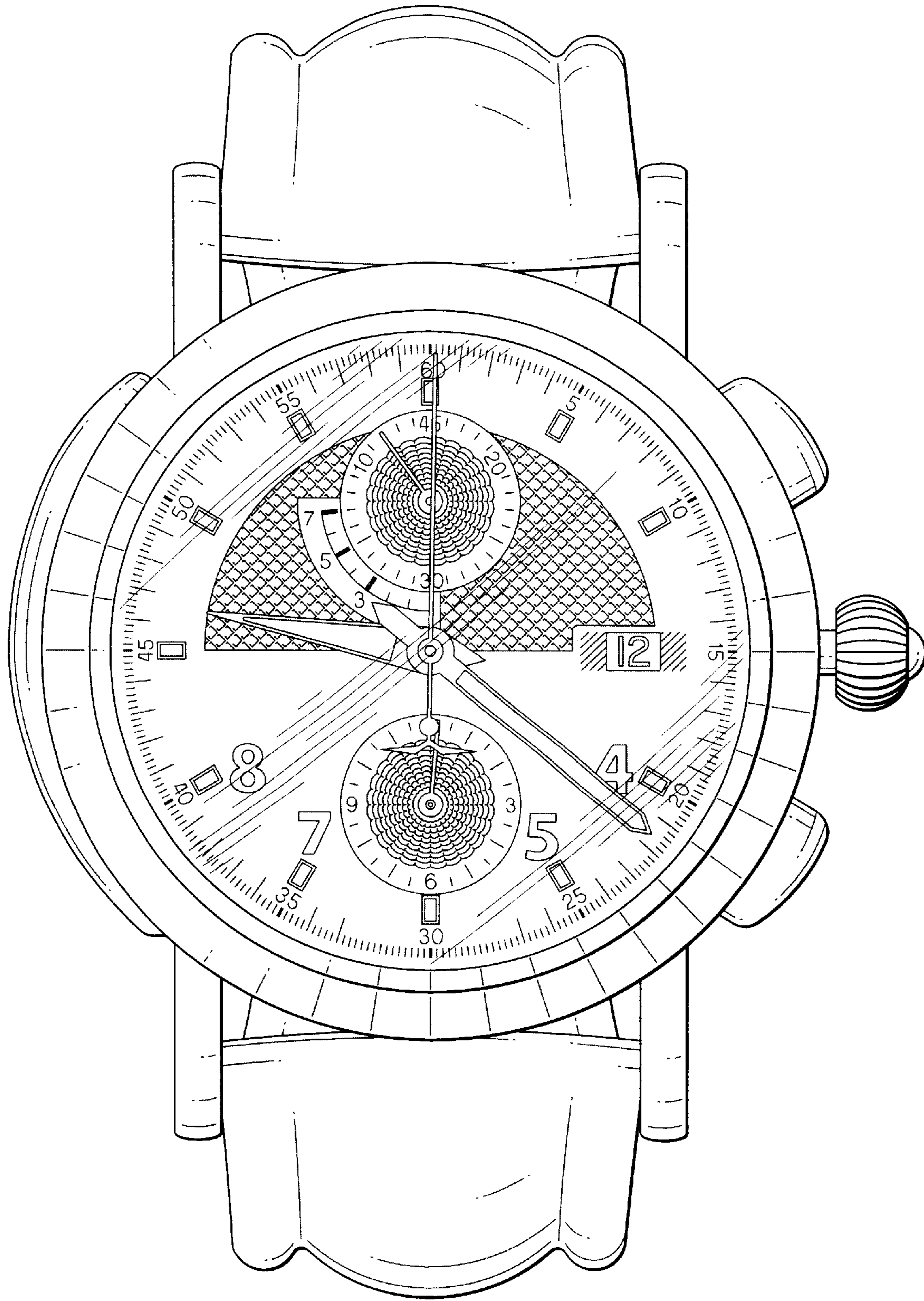


FIG. 1



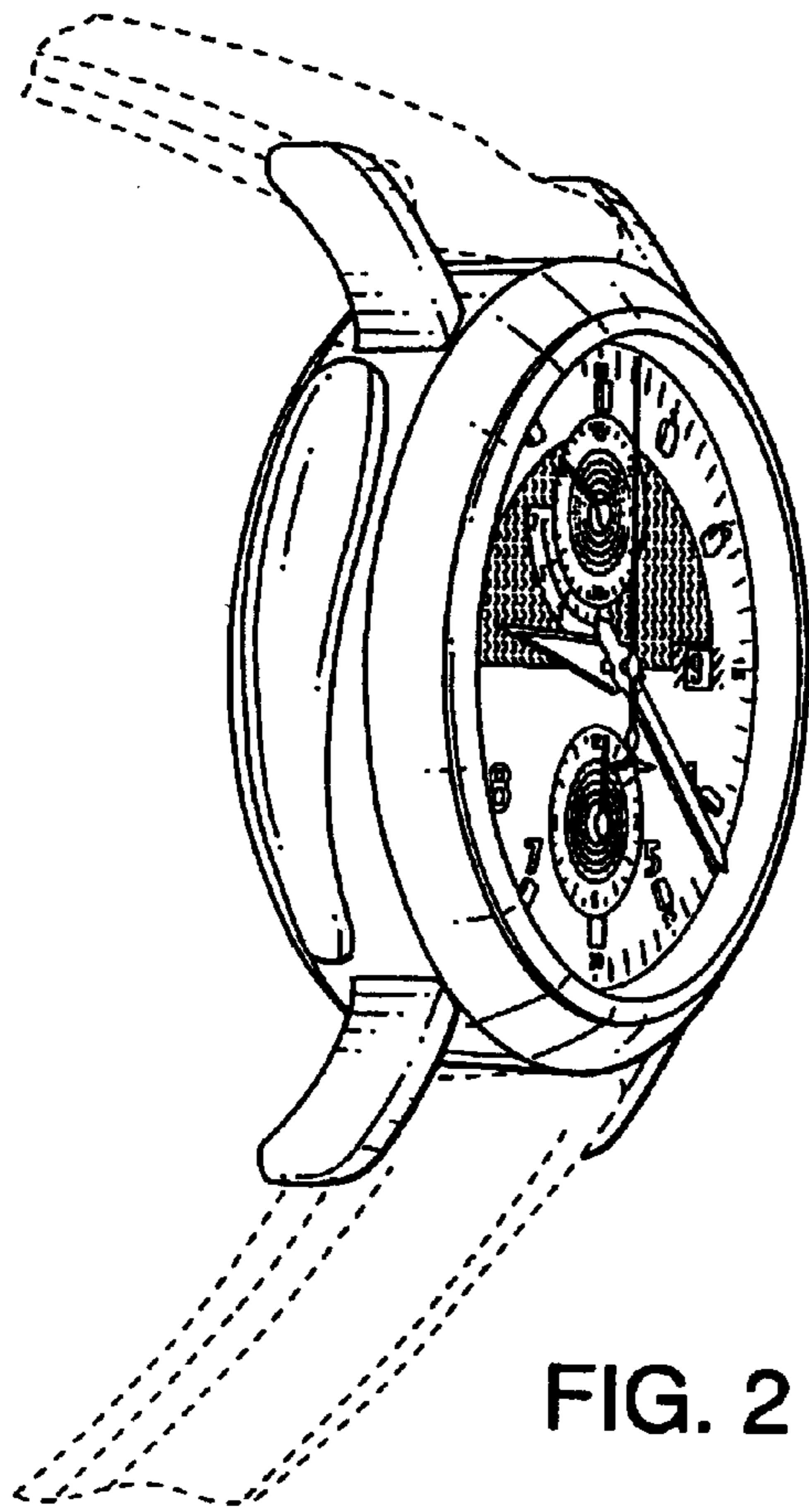


FIG. 2

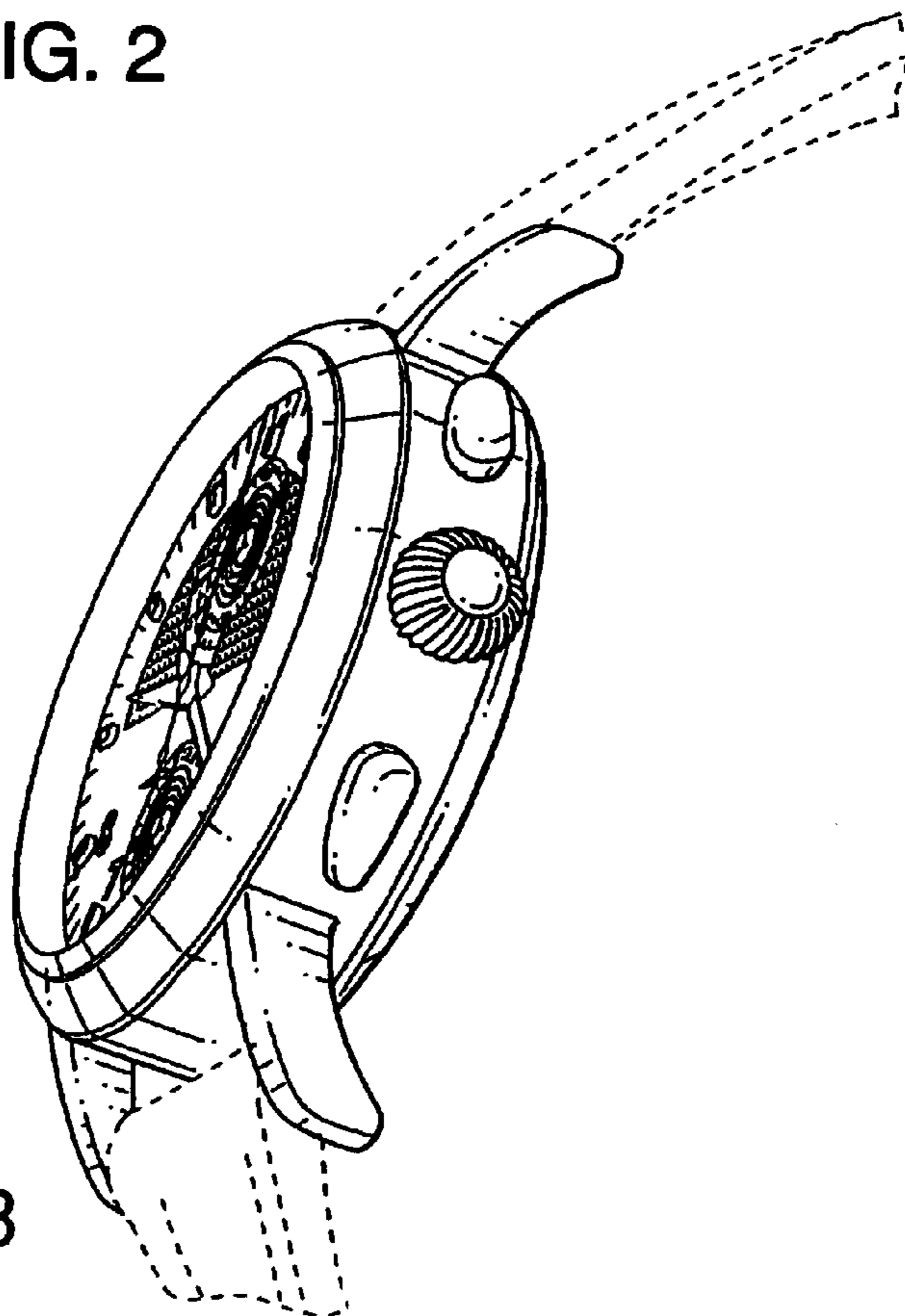


FIG. 3

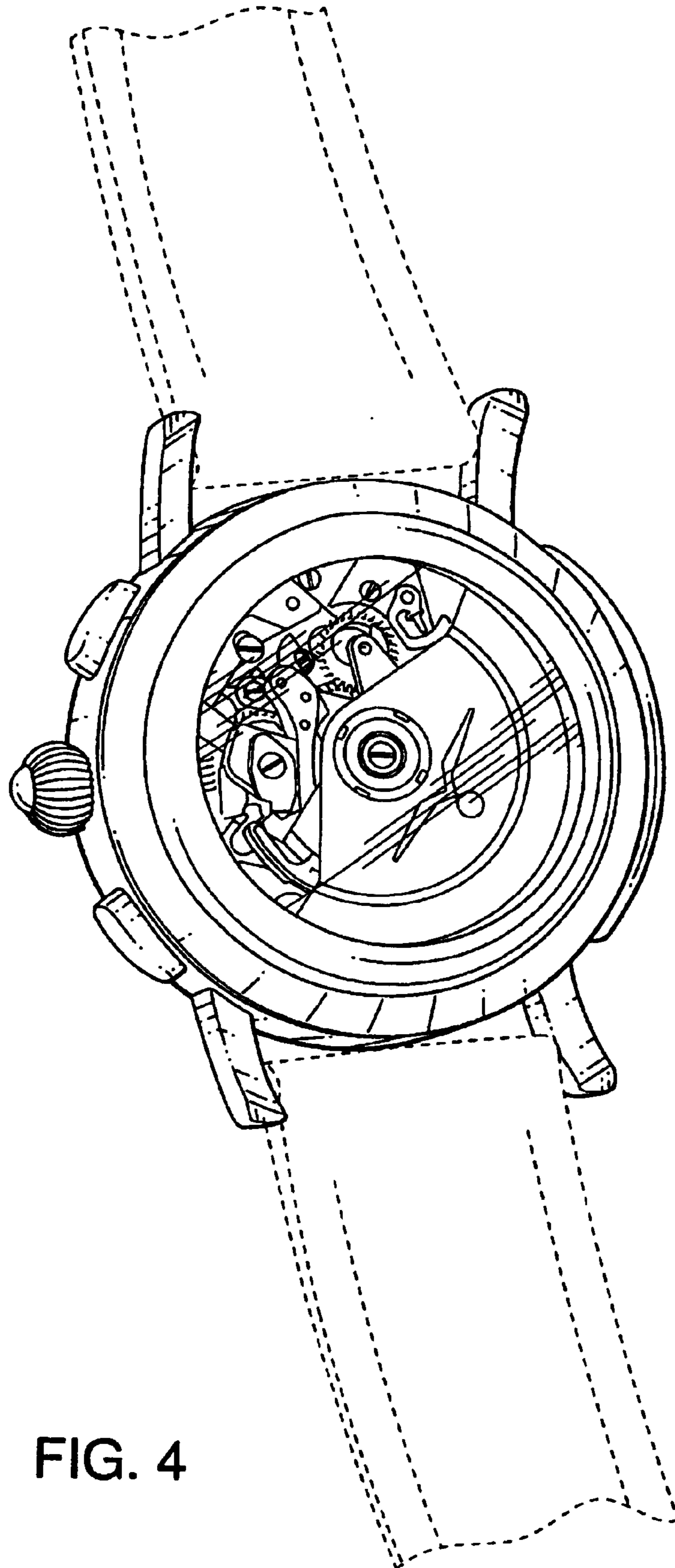


FIG. 4

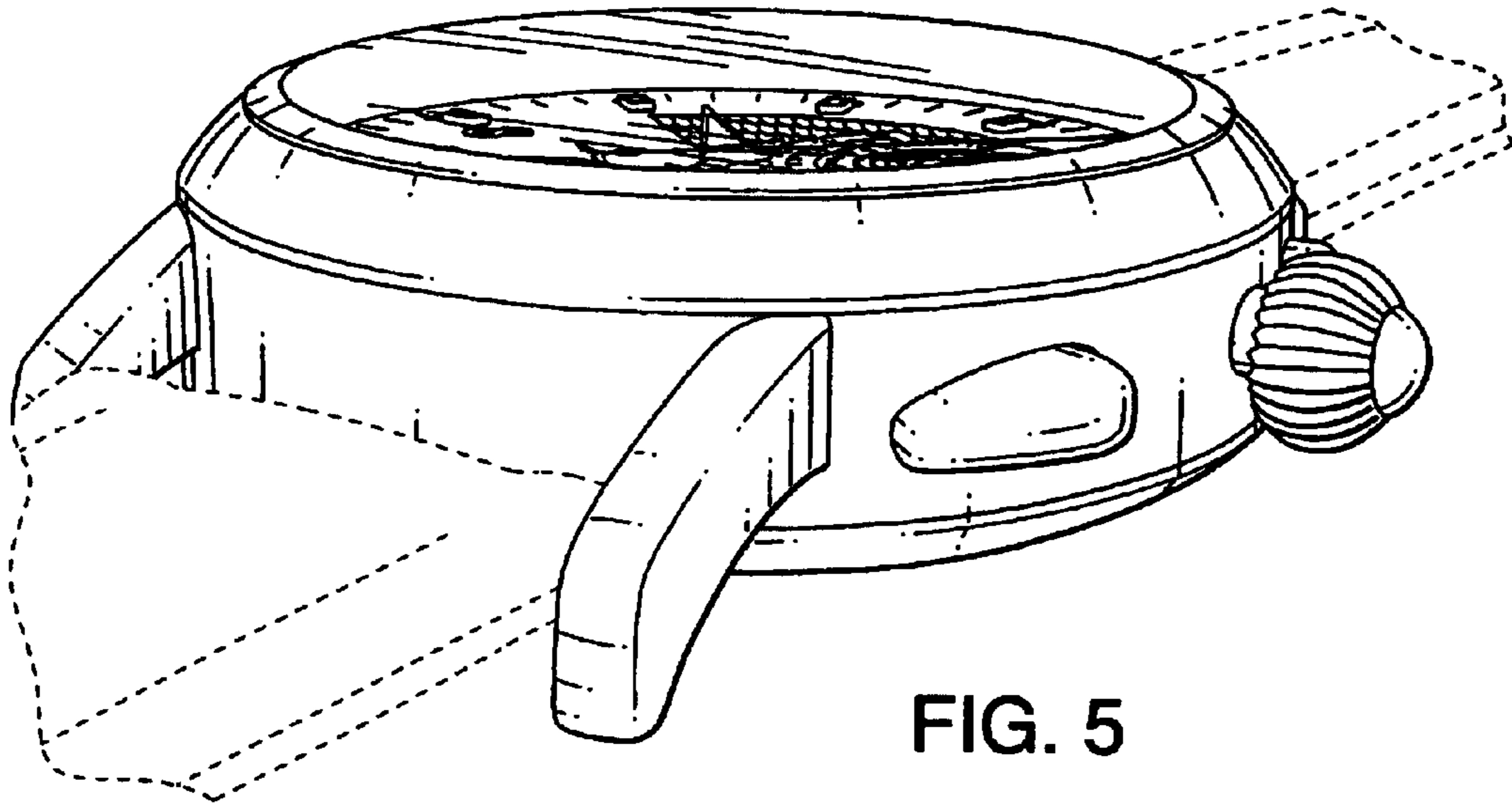


FIG. 5

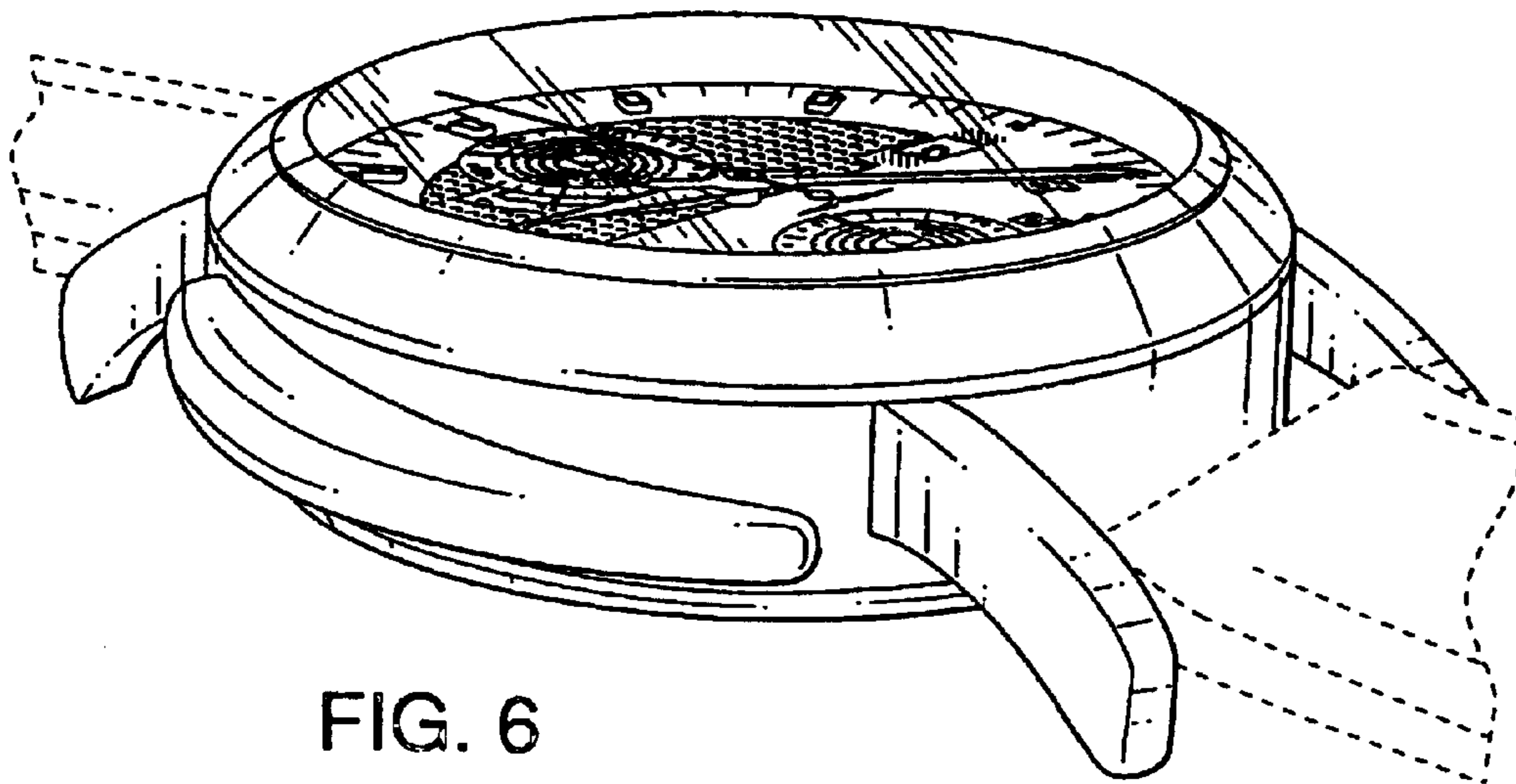


FIG. 6