

US00D545691S

(12) **United States Design Patent**
Bhavnani

(10) **Patent No.:** **US D545,691 S**

(45) **Date of Patent:** **** Jul. 3, 2007**

(54) **COMBINED MIRROR AND CLOCK**

(75) Inventor: **Dilip Bhavnani**, Beverly Hills, CA
(US)

(73) Assignee: **Sun Coast Merchandise Corporation**,
Commerce, CA (US)

(**) Term: **14 Years**

(21) Appl. No.: **29/246,892**

(22) Filed: **May 18, 2006**

(51) **LOC (8) Cl.** **10-01**

(52) **U.S. Cl.** **D10/2; D10/15; D6/310**

(58) **Field of Classification Search** D10/1-29;
368/276-278, 285, 316, 317, 10, 28-30,
368/82-84, 239-242, 223, 226, 243-247;
359/838, 871; D6/300-302, 308-314; 40/728,
40/700, 745

See application file for complete search history.

(56) **References Cited**

U.S. PATENT DOCUMENTS

D259,184 S *	5/1981	Francis et al.	D10/15
D274,703 S *	7/1984	Vogel	D10/15
D301,309 S *	5/1989	Houlihan	D10/15
D310,919 S *	10/1990	Sakai	D6/311
D329,609 S *	9/1992	Wolff	D10/2
D346,965 S *	5/1994	Wolff	D10/1
D375,902 S *	11/1996	Wong	D10/15

D382,820 S *	8/1997	Chan	D10/40
D425,314 S *	5/2000	Au-Yeung	D6/310
D435,352 S *	12/2000	Chan	D6/308
D462,843 S *	9/2002	Chan	D6/310
D500,252 S *	12/2004	Hsu	D10/18

OTHER PUBLICATIONS

U.S. Appl. No. 29/256,081, Dilip Bhavnani.

* cited by examiner

Primary Examiner—Lucy Lieberman

(74) *Attorney, Agent, or Firm*—The Soni Law Firm

(57) **CLAIM**

The ornamental design for a combined mirror and clock, as shown and described.

DESCRIPTION

FIG. 1 is a front and right side perspective view of a combined mirror and clock showing my new design;

FIG. 2 is a front elevational view thereof;

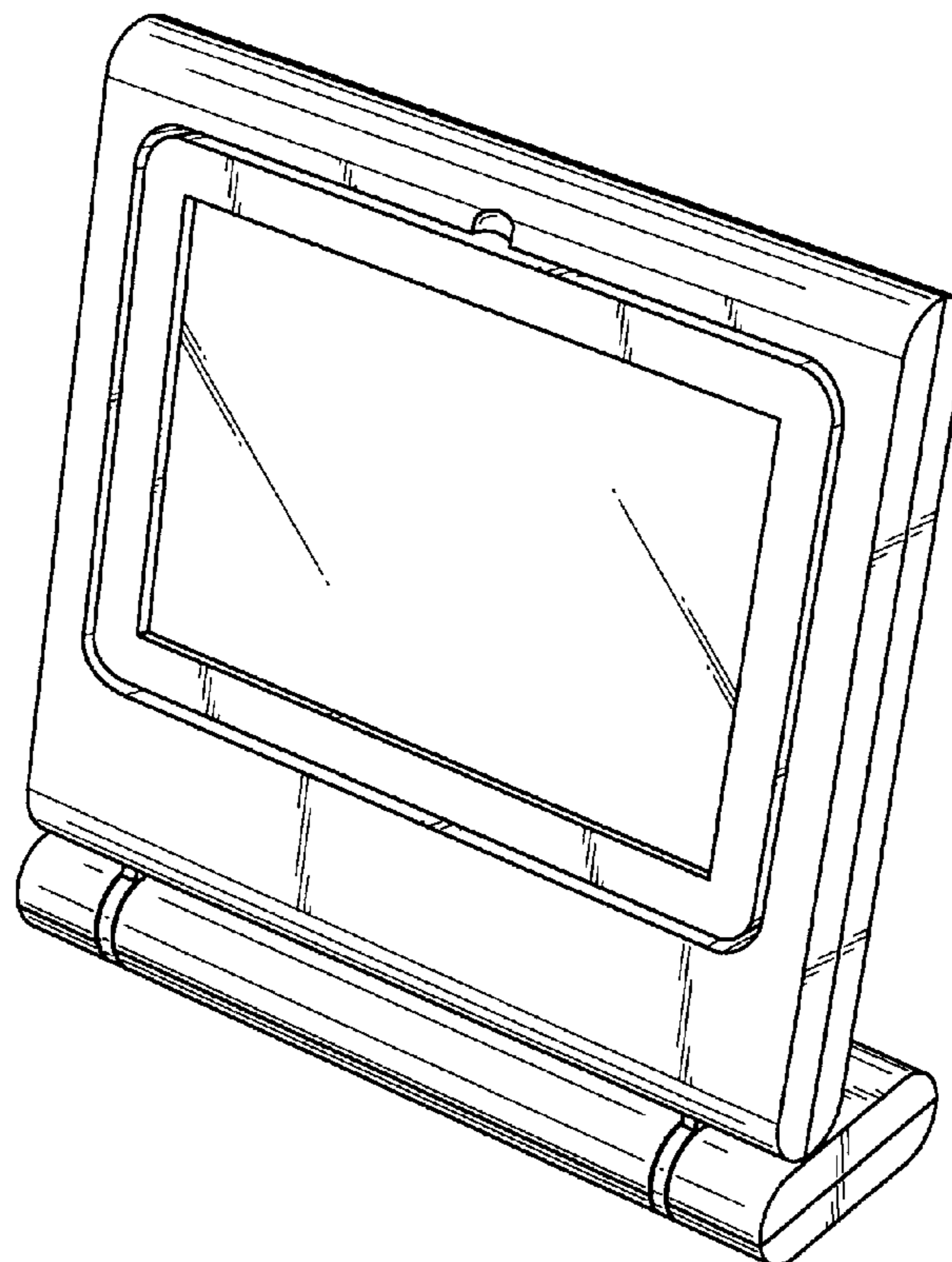
FIG. 3 is a top plan view thereof;

FIG. 4 is a right side elevation of the combined mirror and clock, the left side elevation is a mirror image thereto;

FIG. 5 is a bottom plan view thereof; and,

FIG. 6 is a back elevational view thereof with the phantom lines depicting environmental structure and forming no part of the claimed design.

1 Claim, 4 Drawing Sheets



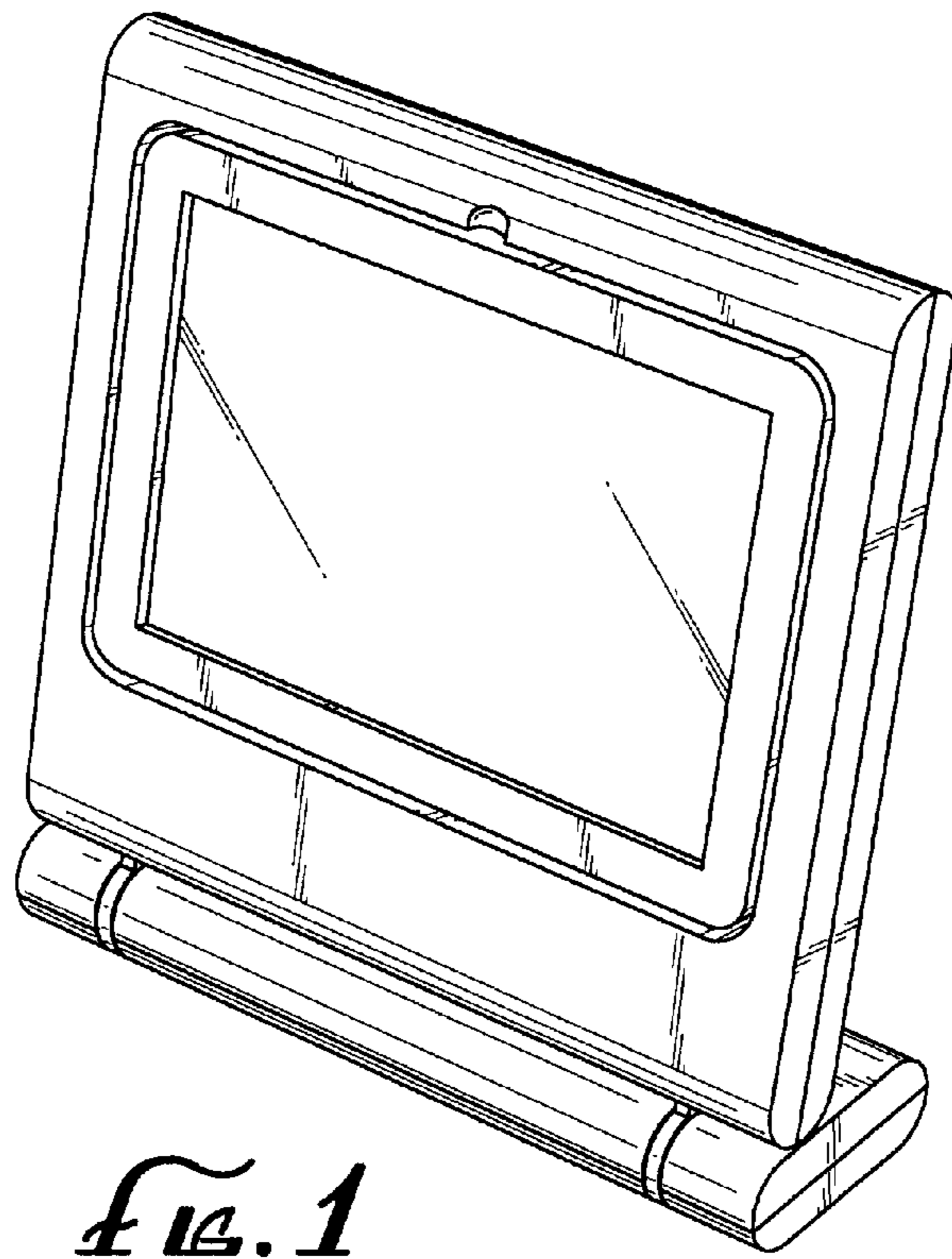


FIG. 1

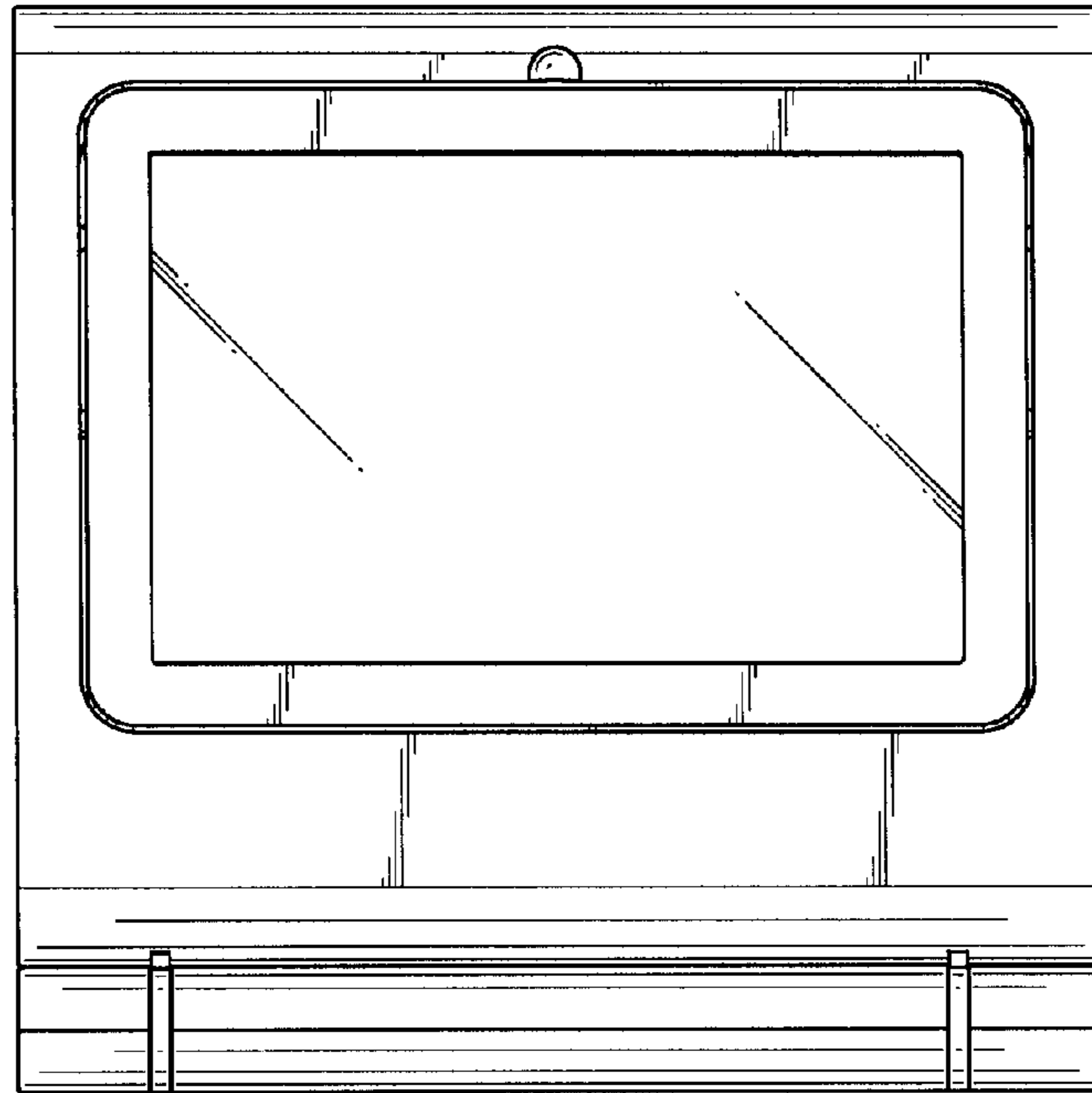


FIG. 2

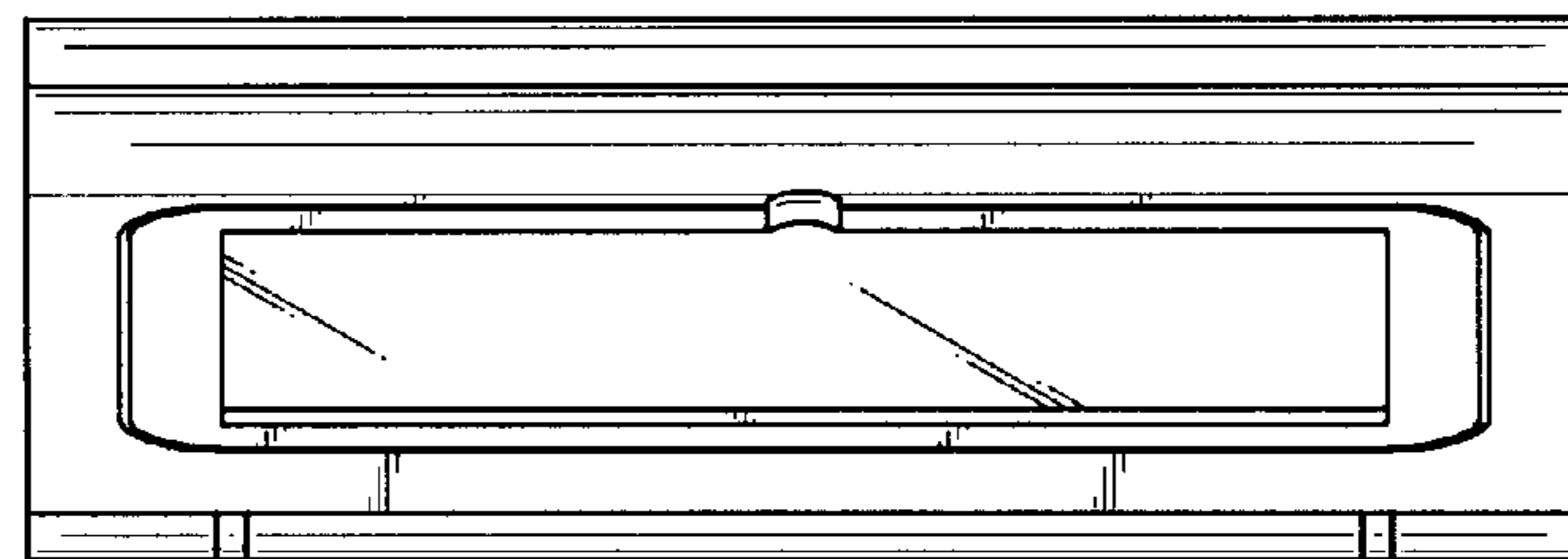


FIG. 3

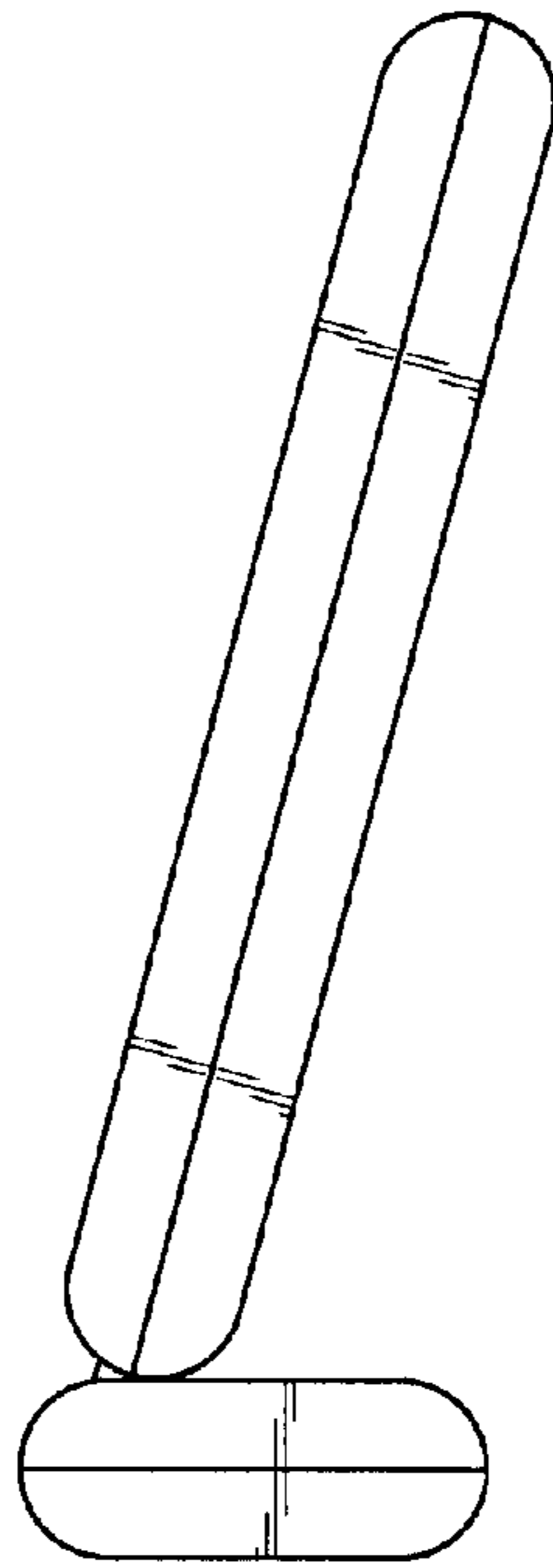


FIG. 4

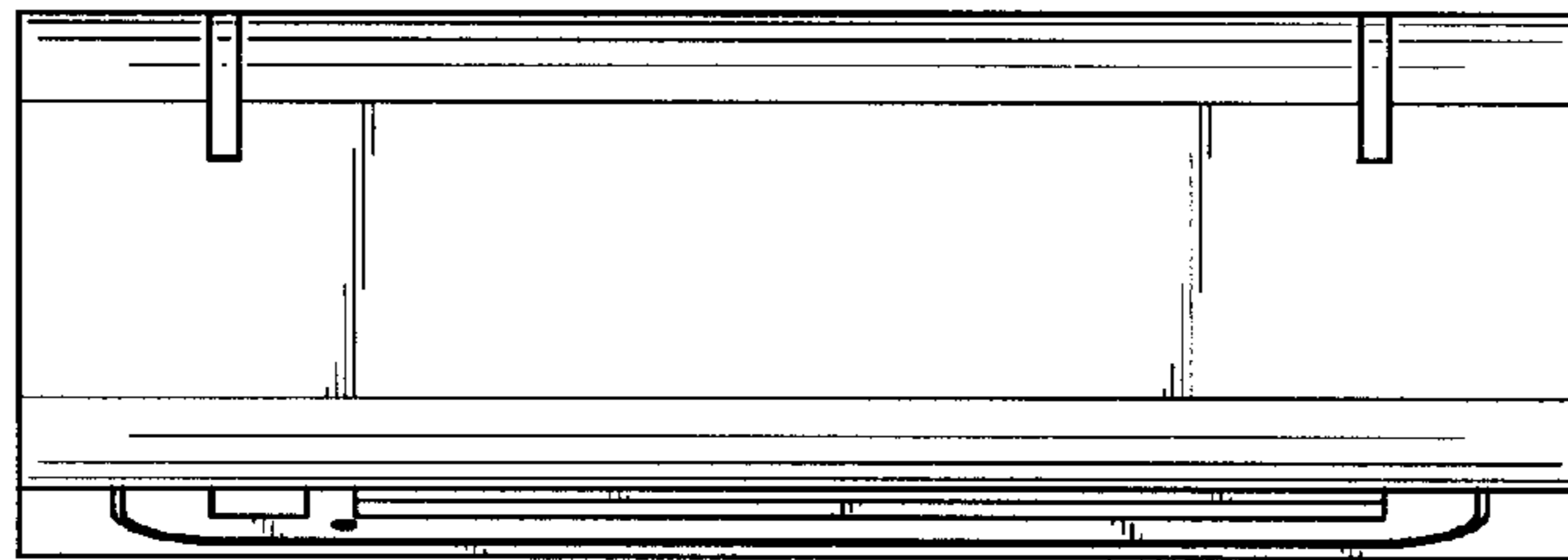


FIG. 5

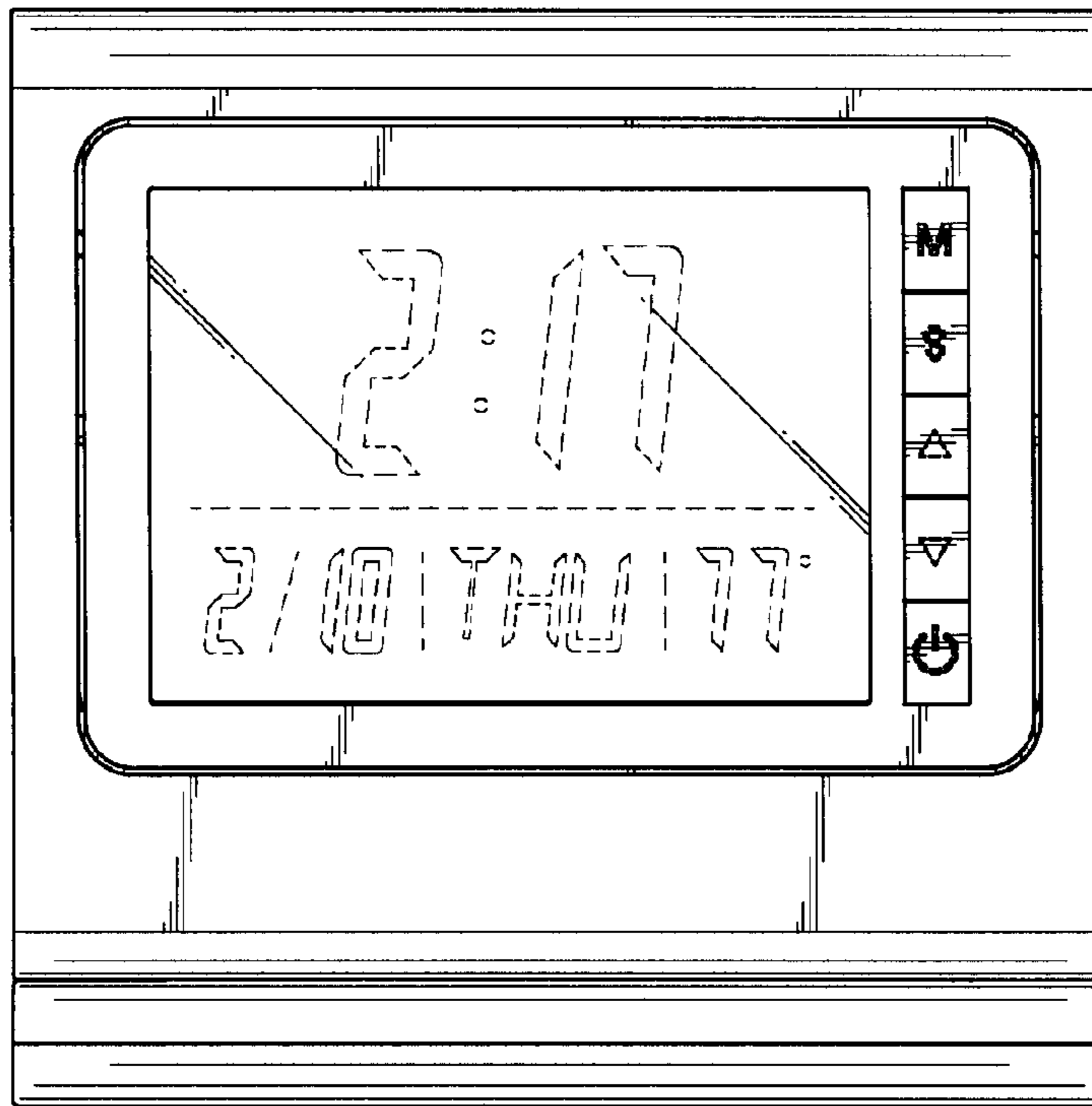


FIG. 6