

US00D545683S

(12) **United States Design Patent**  
**Wong et al.**

(10) **Patent No.:** **US D545,683 S**  
(45) **Date of Patent:** **\*\* Jul. 3, 2007**

(54) **BOTTLE**

D465,735 S \* 11/2002 Woodall ..... D9/560  
D484,808 S \* 1/2004 Thierjung et al. .... D9/530  
D521,874 S \* 5/2006 Mercado ..... D9/719

(75) Inventors: **Jason Douglas Wong**, Brooklyn, NY (US); **Kristin E. Sabena**, New York, NY (US); **Monica B. Ingersoll**, Aurora, IL (US); **James A. Neri**, Wallingford, CT (US)

(73) Assignee: **Diageo North America, Inc.**, Norwalk, CT (US)

(\*\*) Term: **14 Years**

(21) Appl. No.: **29/269,673**

(22) Filed: **Dec. 5, 2006**

**Related U.S. Application Data**

(62) Division of application No. 29/236,177, filed on Aug. 11, 2005, now Pat. No. Des. 537,723.

(51) **LOC (8) Cl.** ..... **09-01**

(52) **U.S. Cl.** ..... **D9/551; D9/516; D9/544; D9/545; D9/520; D9/574; D9/575; D9/558**

(58) **Field of Classification Search** ..... D9/516, D9/520, 544, 545, 574, 575, 558, 551, 564, D9/571, 549, 556, 557; 215/381, 382, 383, 215/384, 385, 396

See application file for complete search history.

(56) **References Cited**

**U.S. PATENT DOCUMENTS**

D23,174 S \* 4/1894 Lloyd ..... D9/544  
D332,051 S \* 12/1992 Kinslow et al. .... D9/520  
D334,714 S \* 4/1993 Maginnis, Jr. .... D9/569  
D339,987 S \* 10/1993 Jobit ..... D9/667  
D353,324 S \* 12/1994 Rice, III ..... D9/661  
D355,357 S \* 2/1995 Ledowsky ..... D9/636  
D375,900 S \* 11/1996 DeVore ..... D9/563  
D416,791 S \* 11/1999 Albrecht et al. .... D9/632  
D446,128 S \* 8/2001 Adee et al. .... D9/563  
D449,539 S \* 10/2001 Lakatos et al. .... D9/530

**OTHER PUBLICATIONS**

Glass Containers, Owens-Illinois Glass Company, Brookhaven Press, OH, p. 57.\*

Illinois Glass Company: Illustrated Catalog and Price List, "Bottles," Perrin and Smith Print, copyright 1901, pp. 22,23, and 99.\*

The Charles Boldt Glass Company, "Bottles and Jars of Every Kind," OH, copyright 1925, p. 75.\*

Owens-Illinois-Distilled Spirits, Wines & Cordials, 1960-Stock Catalog, Duraglas by Owens-Illinois Glass Company, OH, copyright 1960, pp. 10,22, and 23.\*

\* cited by examiner

*Primary Examiner*—Stella Reid

*Assistant Examiner*—Elizabeth J Oswecki

(74) *Attorney, Agent, or Firm*—Morgan, Lewis & Bockius LLP

(57) **CLAIM**

The ornamental design for a bottle, as shown and described.

**DESCRIPTION**

FIG. 1 is a perspective view of a bottle showing our new design;

FIG. 2 is a left side elevational view thereof;

FIG. 3 is a front elevational view thereof;

FIG. 4 is a right side elevational view thereof;

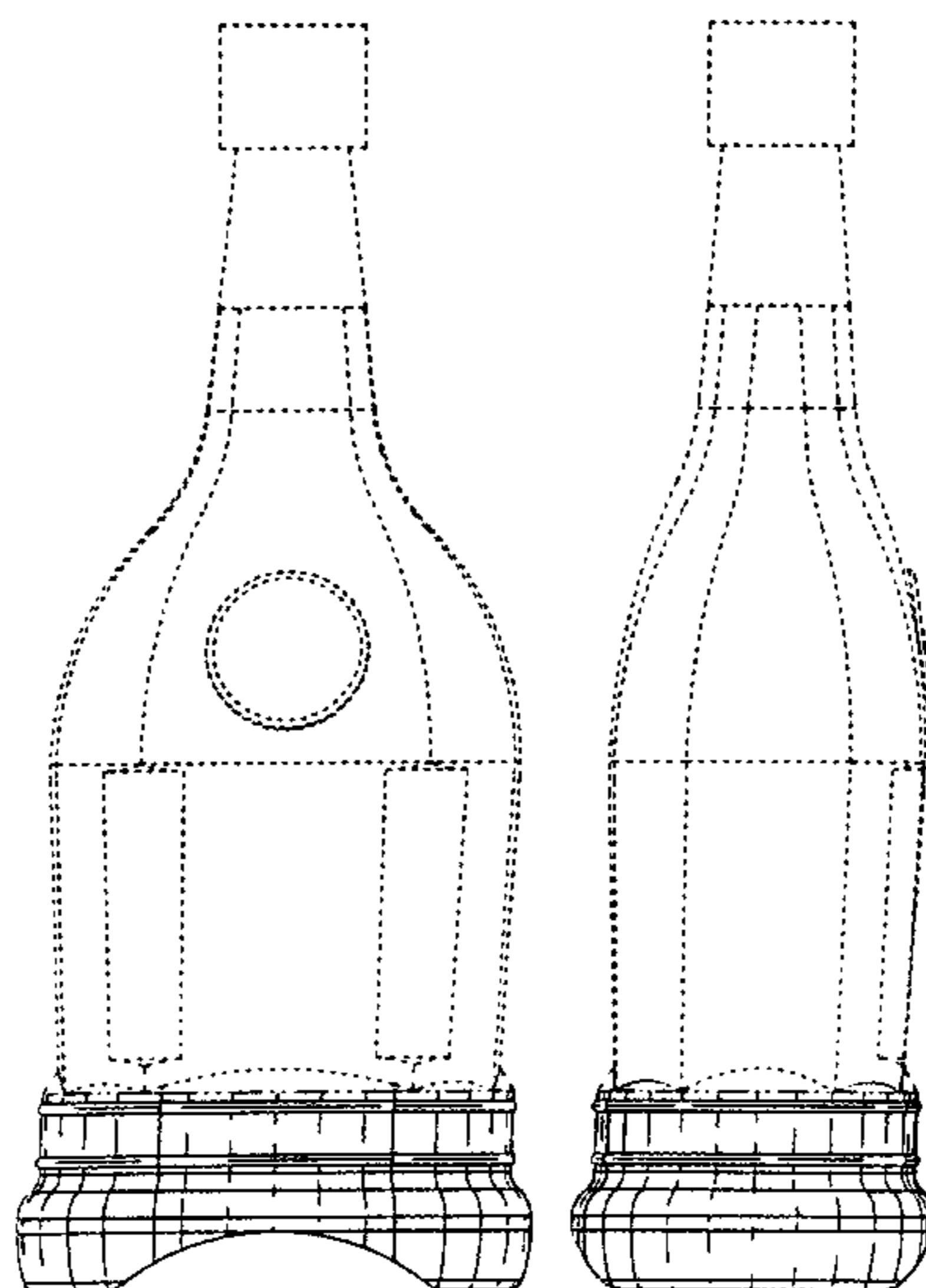
FIG. 5 is a back elevational view thereof;

FIG. 6 is a top plan view thereof; and,

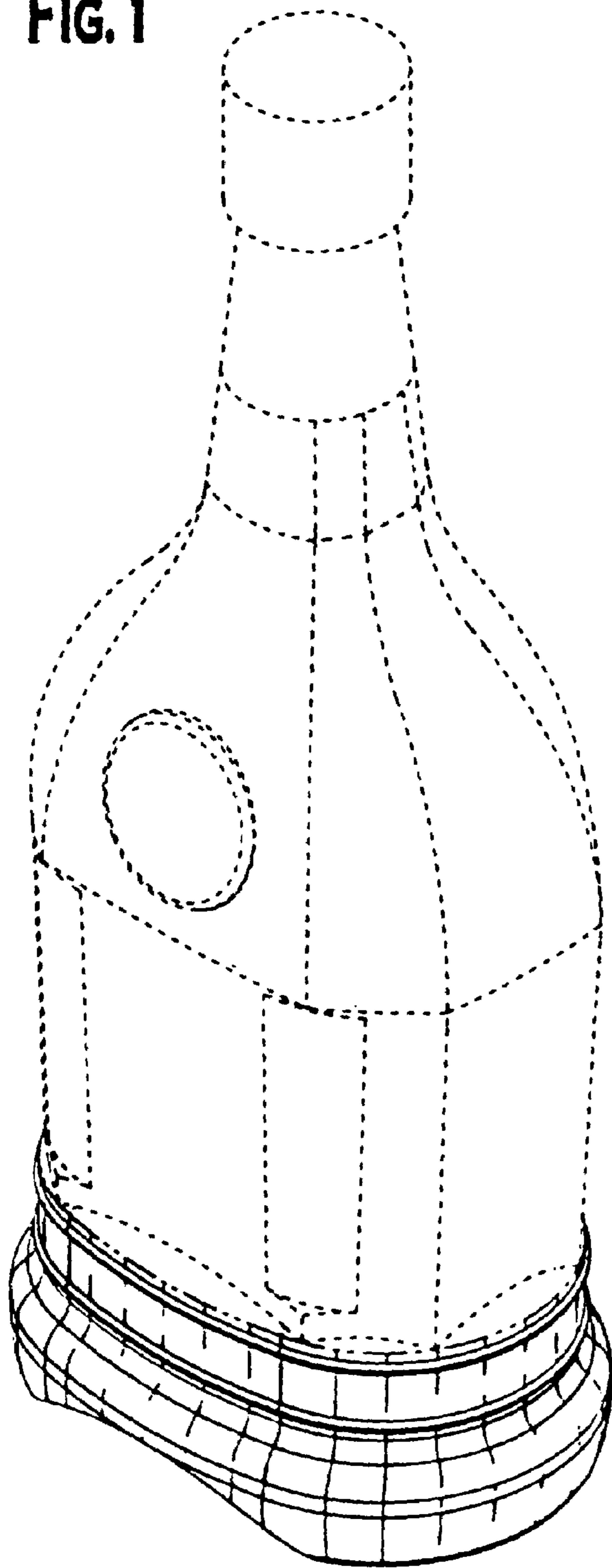
FIG. 7 is a bottom plan view thereof.

The portions of the bottle that are shown in broken lines are for illustrative purposes only and forms no part of the claimed design.

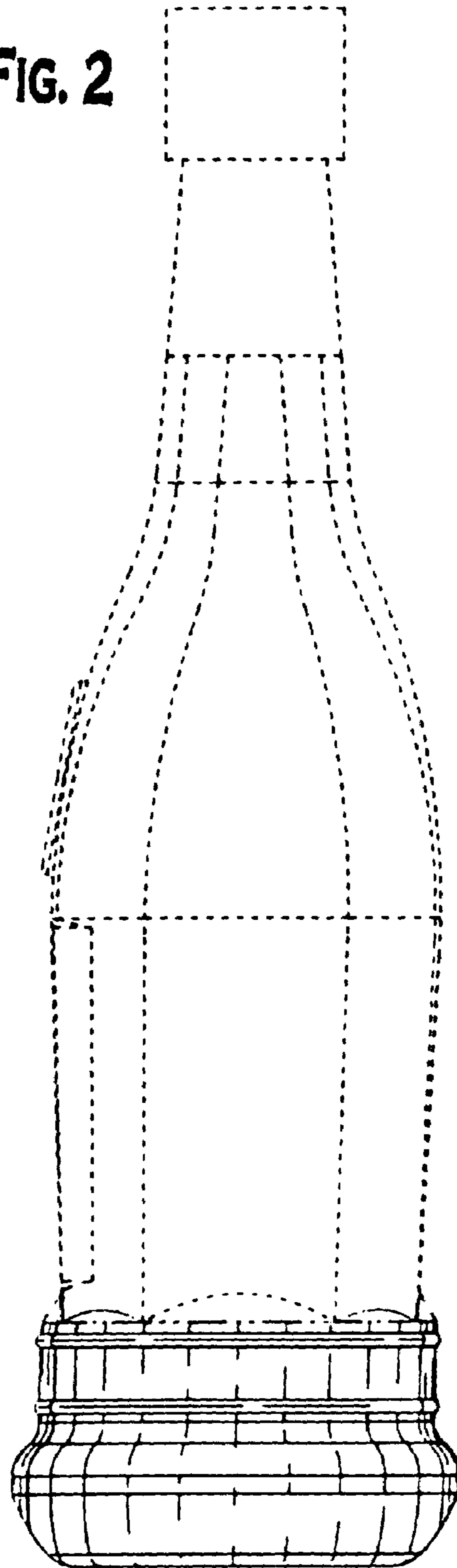
**1 Claim, 4 Drawing Sheets**



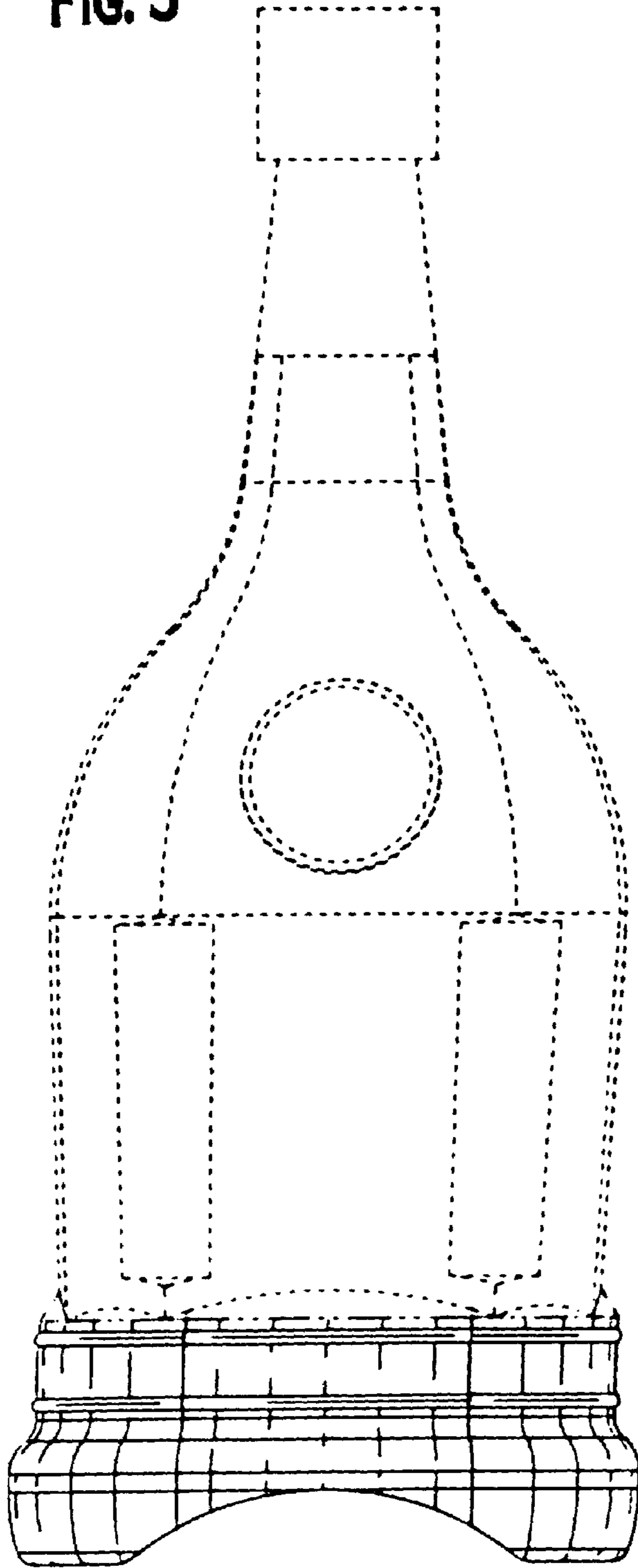
**FIG. 1**



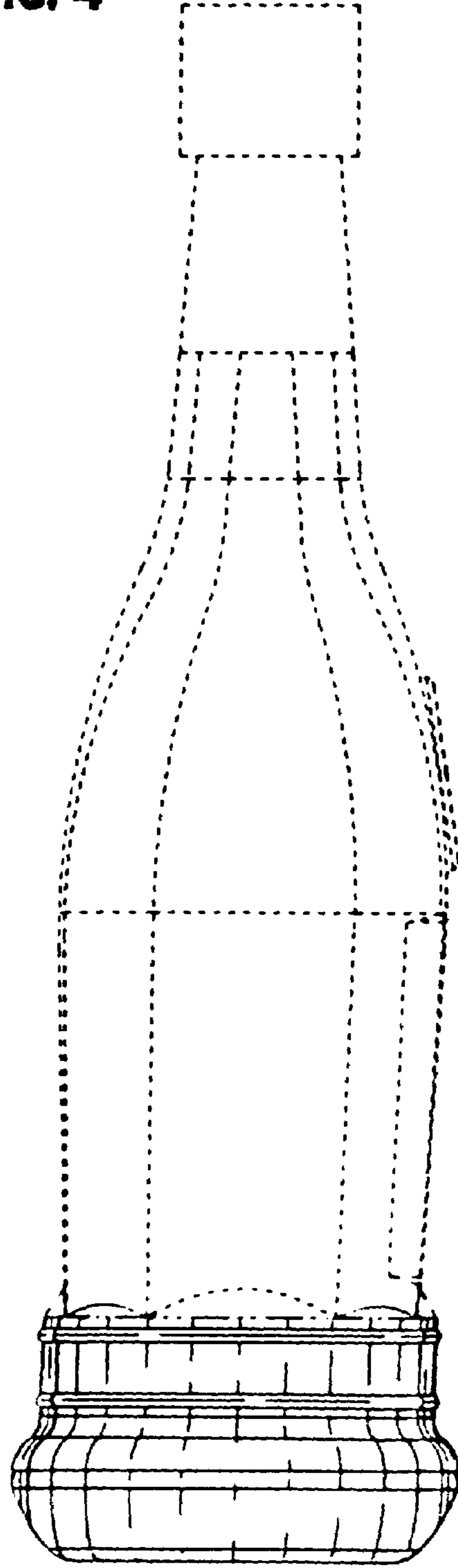
**FIG. 2**



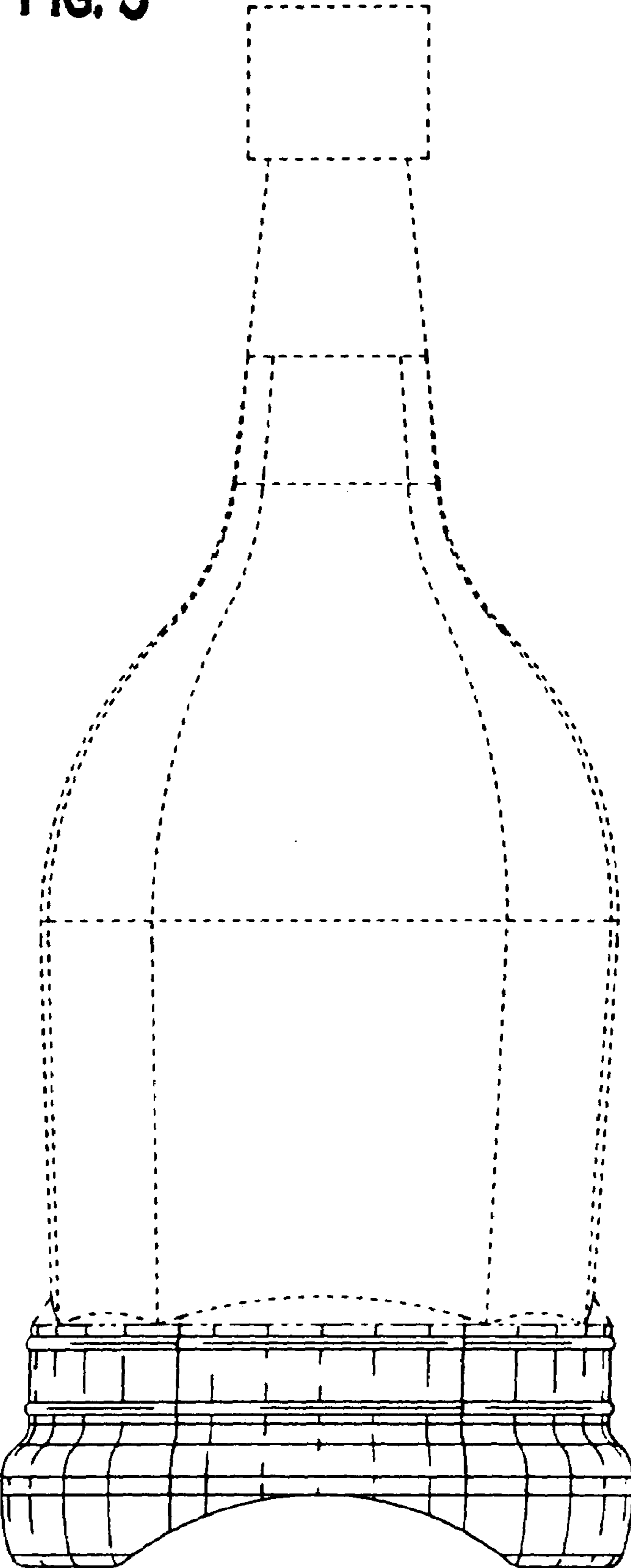
**FIG. 3**



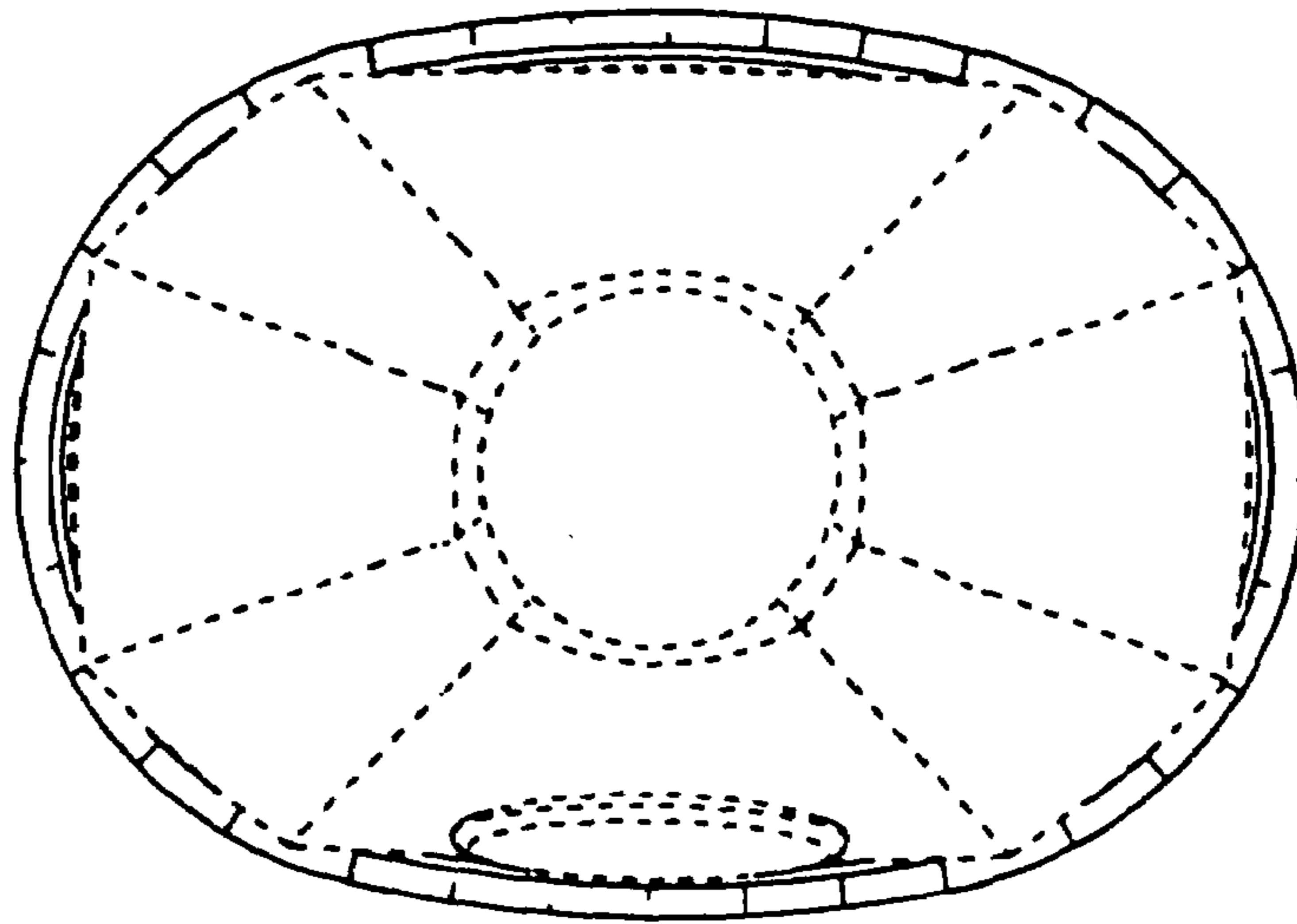
**FIG. 4**



**FIG. 5**



**FIG. 6**



**FIG. 7**

