

US00D545677S

(12) **United States Design Patent**  
**Mavin et al.**

(10) **Patent No.:** **US D545,677 S**

(45) **Date of Patent:** **\*\* Jul. 3, 2007**

(54) **CLOSURE FOR CONTAINER**

(75) Inventors: **Gerry Mavin**, Ashington (GB);  
**Timothy Stephenson**, Doncaster (GB)

(73) Assignee: **Portola Packaging, Inc.**, Batavia, IL  
(US)

(\*\*) Term: **14 Years**

(21) Appl. No.: **29/251,420**

(22) Filed: **Jan. 5, 2006**

(30) **Foreign Application Priority Data**

Jul. 8, 2005 (EM) ..... 000368279

(51) **LOC (8) Cl.** ..... **09-07**

(52) **U.S. Cl.** ..... **D9/452; D9/454**

(58) **Field of Classification Search** ..... D9/529,  
D9/504, 454, 452, 451, 445, 439, 438, 435;  
D24/224, 221; 220/288, 214; 215/901,  
215/252

See application file for complete search history.

(56) **References Cited**

**U.S. PATENT DOCUMENTS**

4,166,552 A \* 9/1979 Faulstich ..... 215/256

D272,324 S \* 1/1984 Mumford et al. .... D9/452  
D361,265 S \* 8/1995 Doxey ..... D9/435  
D476,890 S \* 7/2003 Hirose ..... D9/440  
D517,408 S \* 3/2006 Gonzalez ..... D9/438

\* cited by examiner

*Primary Examiner*—Robert M. Spear

*Assistant Examiner*—Susan Bennett Hattan

(74) *Attorney, Agent, or Firm*—James P. Hanrath; Adam K. Sacharoff; Much Shelist

(57) **CLAIM**

The ornamental design for a closure for container, as shown and described.

**DESCRIPTION**

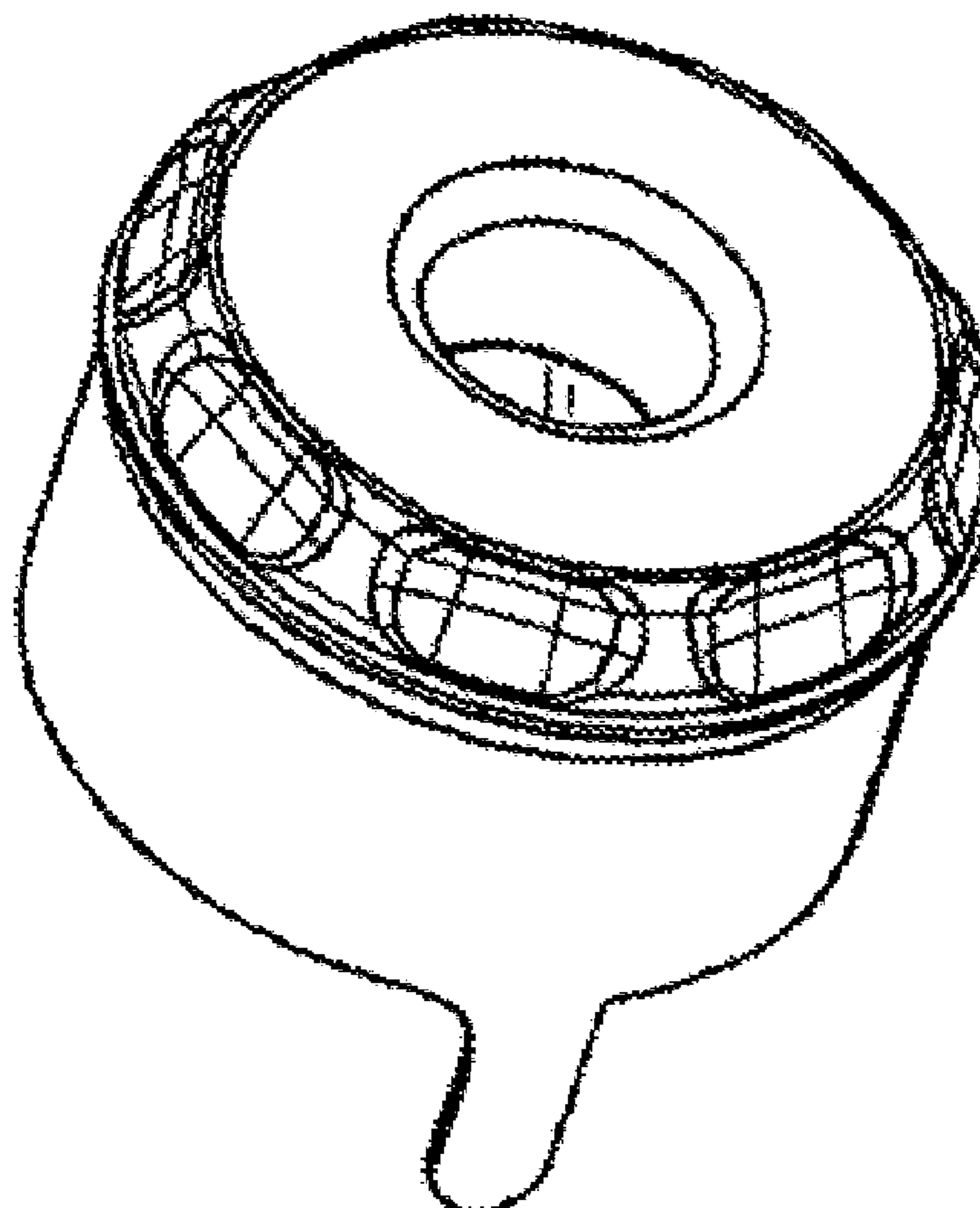
FIG. 1 is an upper perspective view showing our new design;

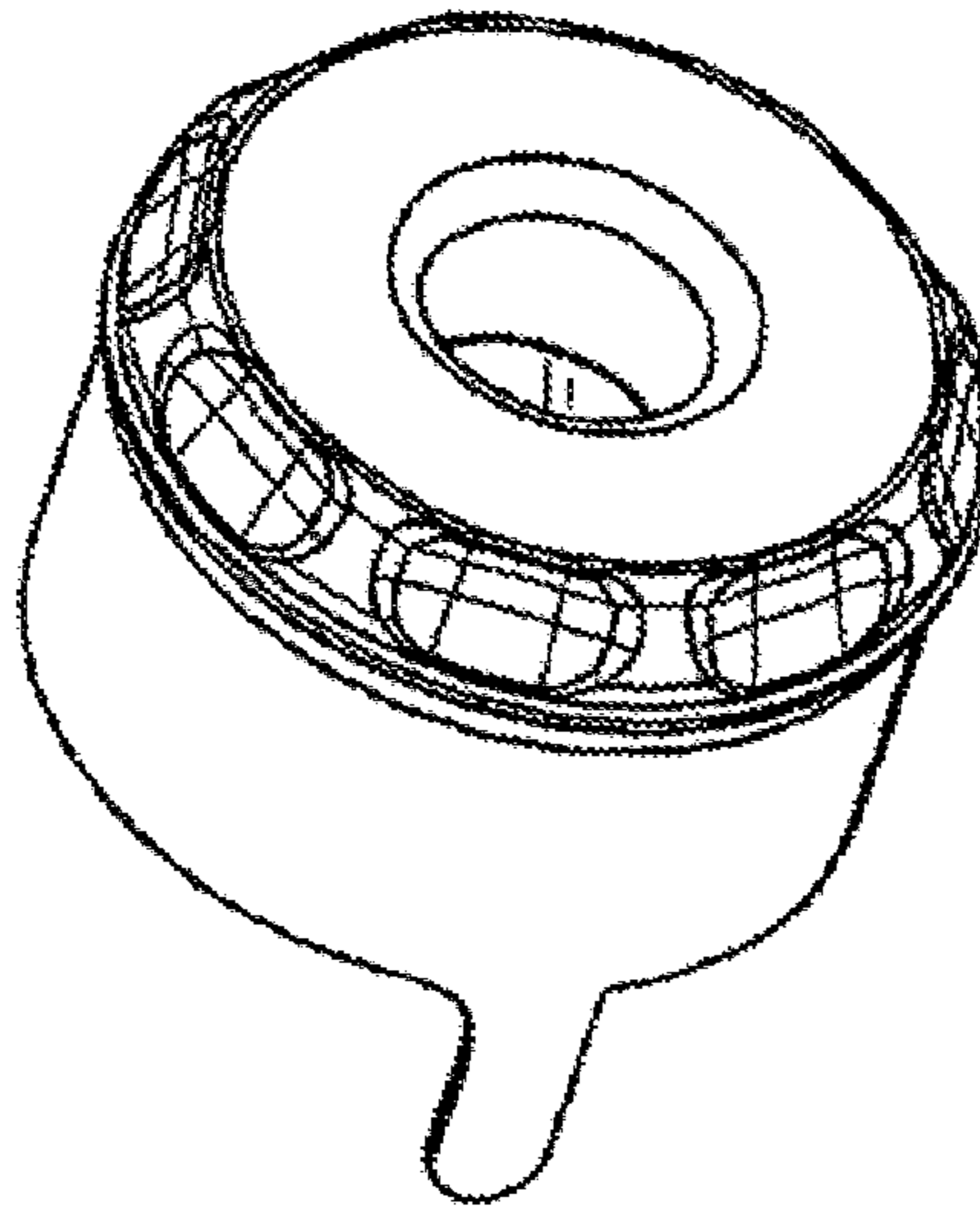
FIG. 2 is a front view thereof;

FIG. 3 is a side view thereof; and,

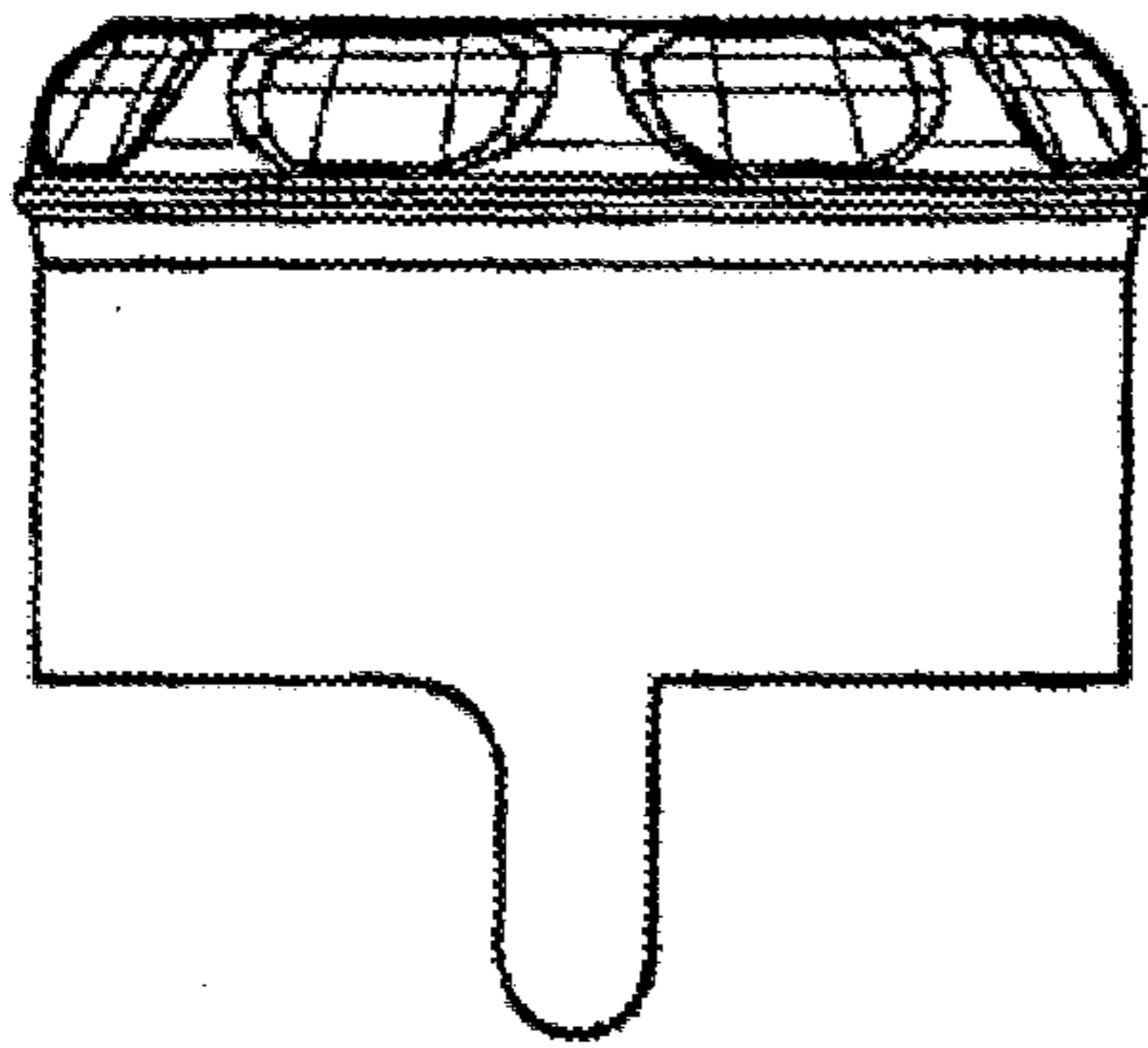
FIG. 4 is a top plan view thereof.

**1 Claim, 1 Drawing Sheet**

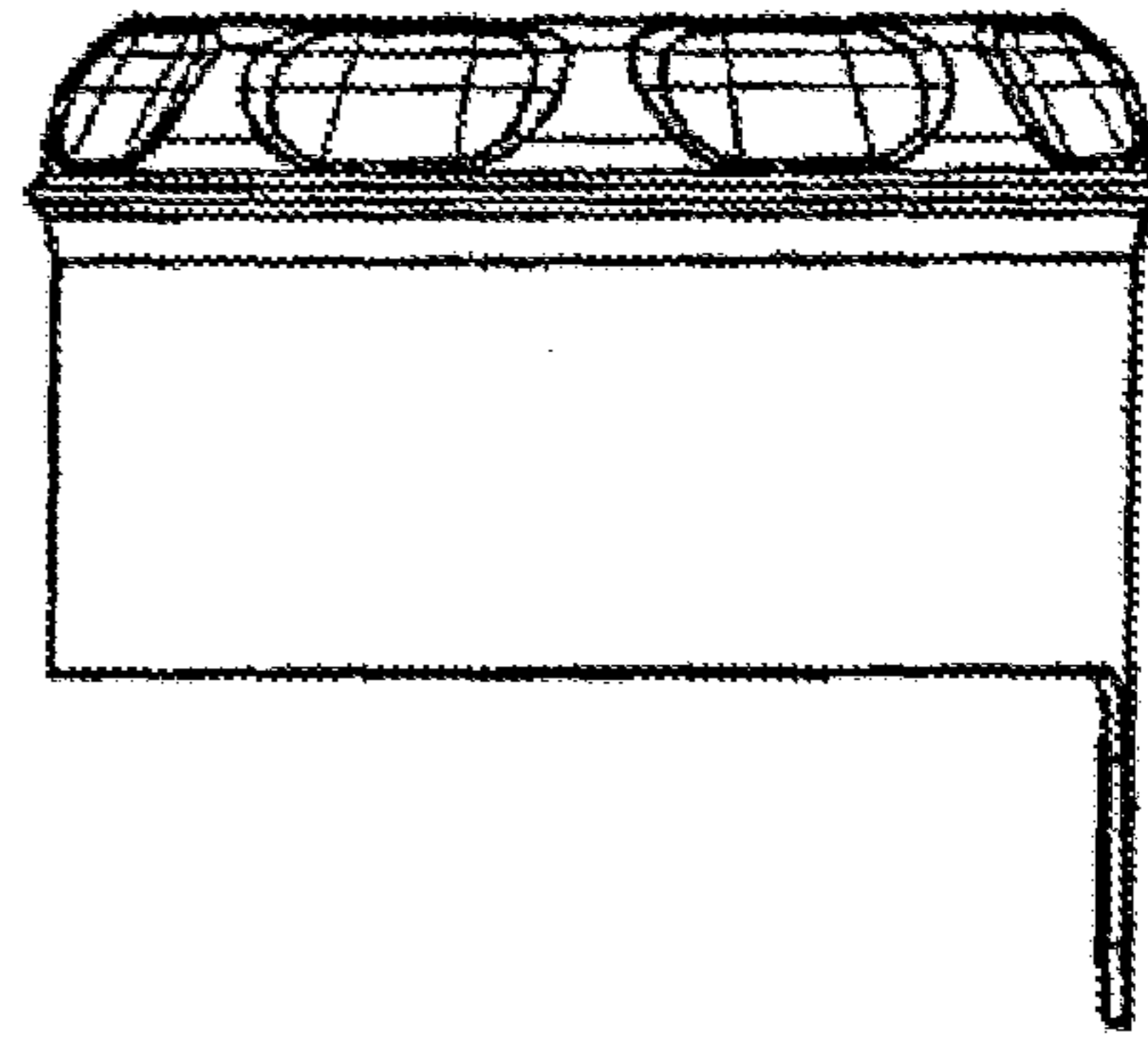




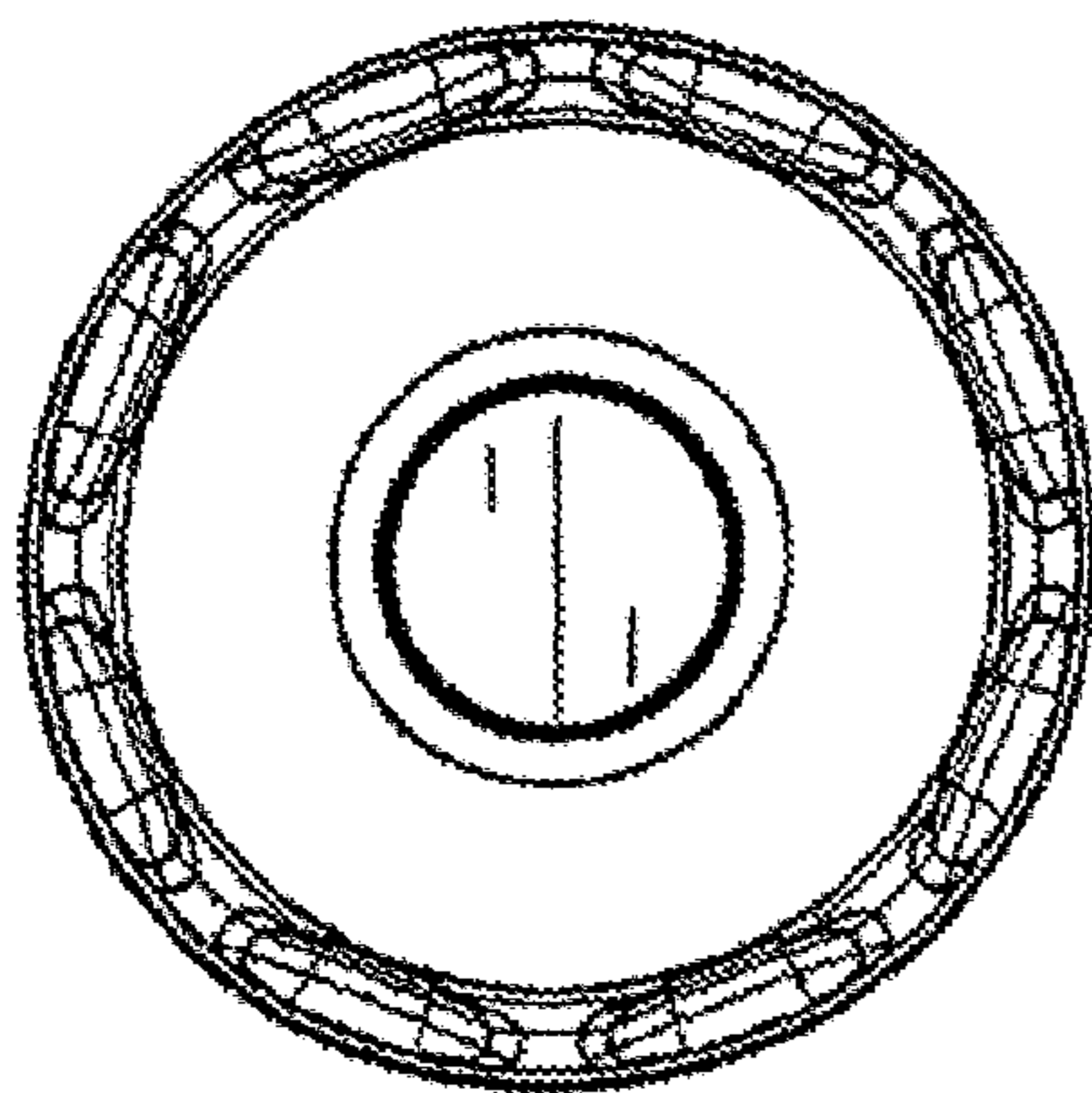
**FIG. 1**



**FIG. 2**



**FIG. 3**



**FIG. 4**