



US00D545676S

(12) **United States Design Patent**
Rica

(10) **Patent No.:** **US D545,676 S**
(45) **Date of Patent:** **** Jul. 3, 2007**

(54) **BOTTLE STOPPER**

(75) Inventor: **Didier Rica**, Le Mont Saint Adrien
(FR)

(73) Assignee: **Saverglass Inc.**, New Rochelle, NY
(US)

(**) Term: **14 Years**

(21) Appl. No.: **29/239,415**

(22) Filed: **Sep. 30, 2005**

(51) **LOC (8) Cl.** **09-07**

(52) **U.S. Cl.** **D9/439**

(58) **Field of Classification Search** D9/718,
D9/715, 547, 545, 544, 454, 447, 440, 439,
D9/436, 435, 434; D7/398, 397, 387, 313,
D7/312, 305, 300; D23/249, 246, 233; D10/60,
D10/52, 49, 122; 215/355-364; 222/630-633,
222/145.1-145.8

See application file for complete search history.

(56) **References Cited**

U.S. PATENT DOCUMENTS

- D292,674 S * 11/1987 Morris et al. D9/439
- D307,713 S * 5/1990 Groves D9/503
- D381,914 S * 8/1997 Dinand D9/545

- 5,653,352 A * 8/1997 Kim 215/228
- D383,070 S * 9/1997 Workman et al. D9/542
- D415,032 S * 10/1999 Gaskey D9/522
- D471,400 S * 3/2003 Jeter et al. D7/396.1

* cited by examiner

Primary Examiner—Robert M. Spear
Assistant Examiner—Susan Bennett Hattan
(74) *Attorney, Agent, or Firm*—Young & Thompson

(57) **CLAIM**

The ornamental design for a bottle stopper, as shown and described.

DESCRIPTION

FIG. 1 is a side elevational view of a bottle stopper showing my new design;

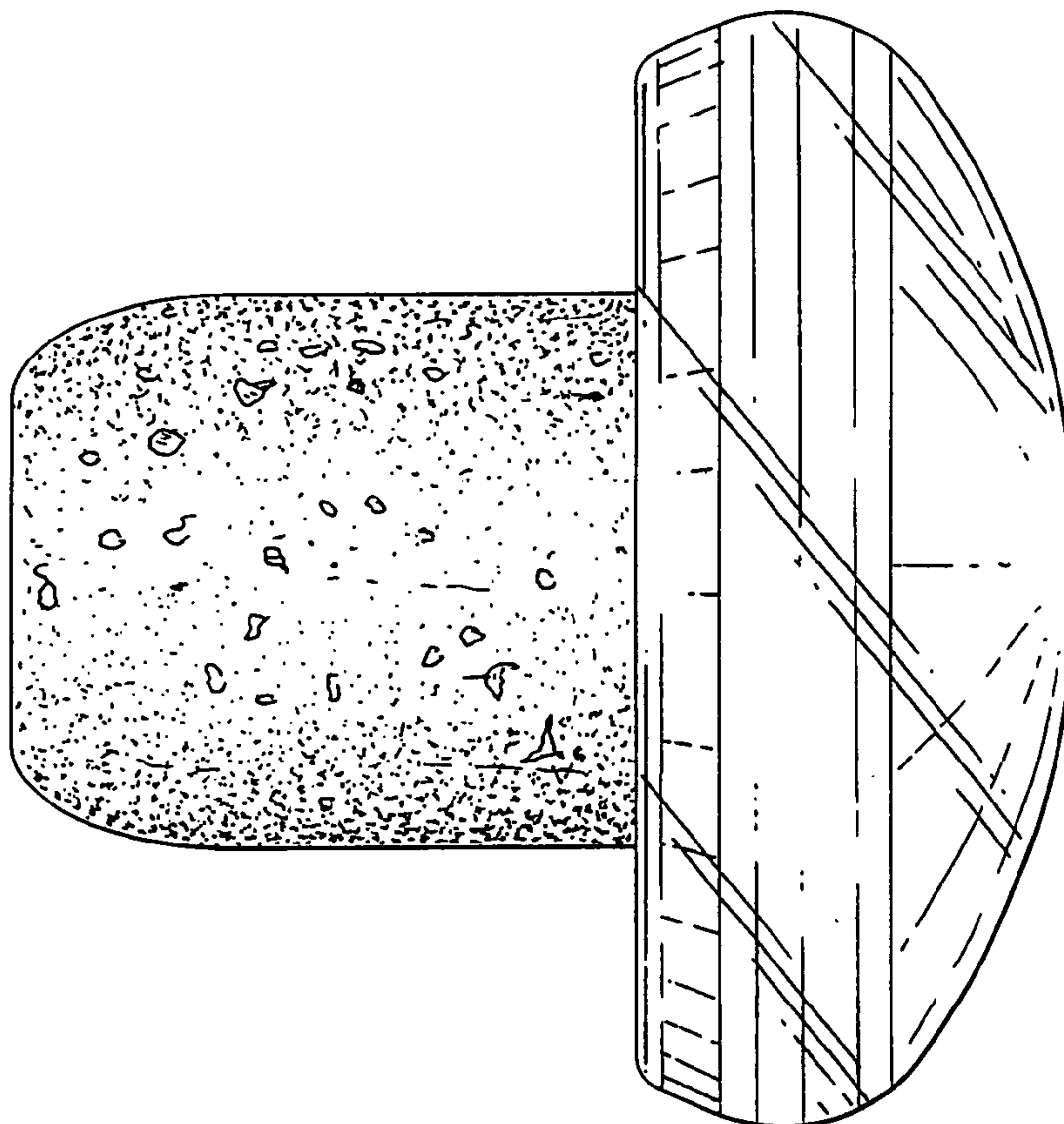
FIG. 2 is an end elevational view thereof from the left of FIG. 1;

FIG. 3 is an end elevational view thereof from the right of FIG. 1; and,

FIG. 4 is a top and side perspective view thereof.

The device whose design is claimed is a figure of revolution, and so all side elevational views thereof are identical.

1 Claim, 4 Drawing Sheets



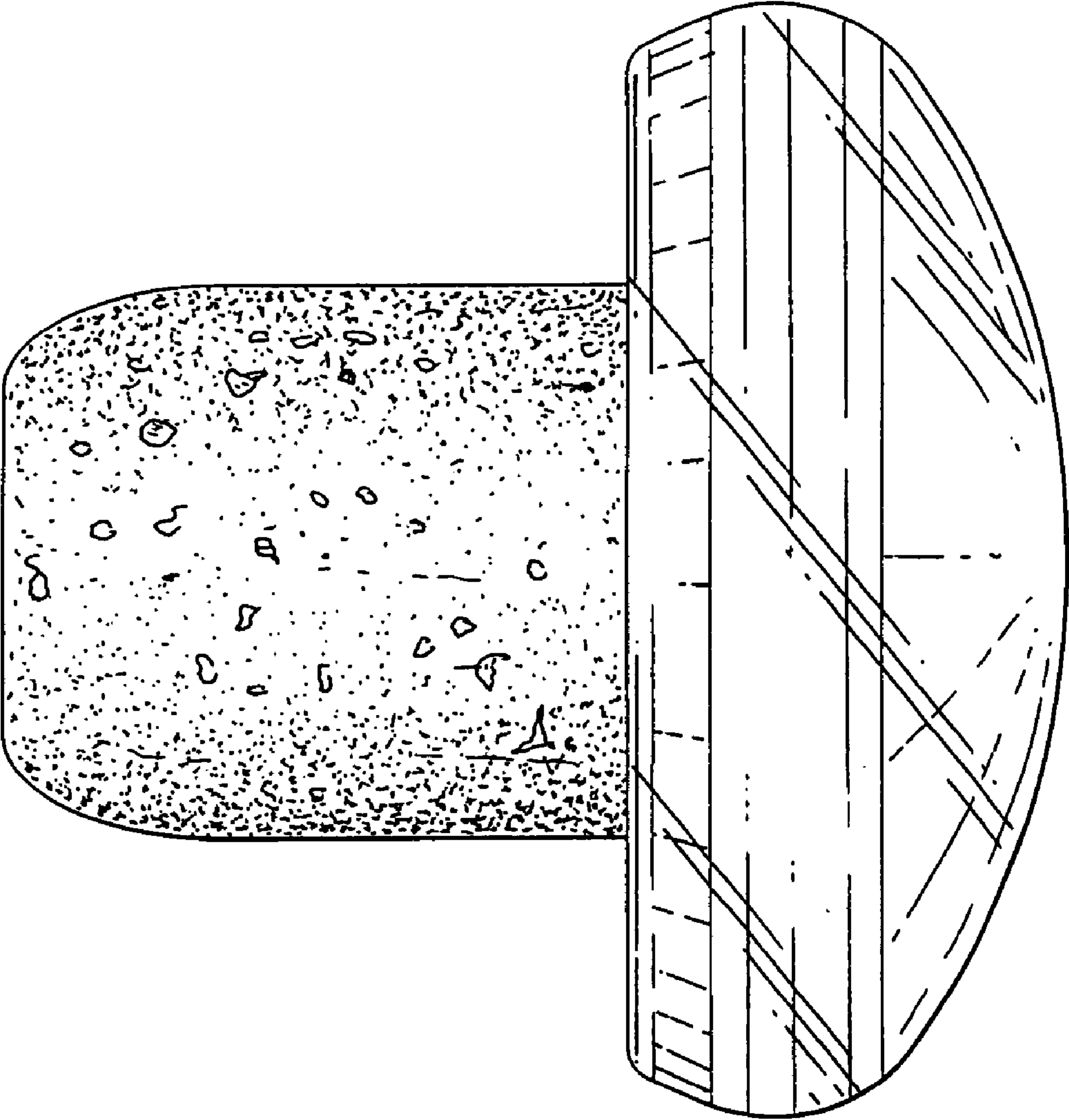


FIG. 1

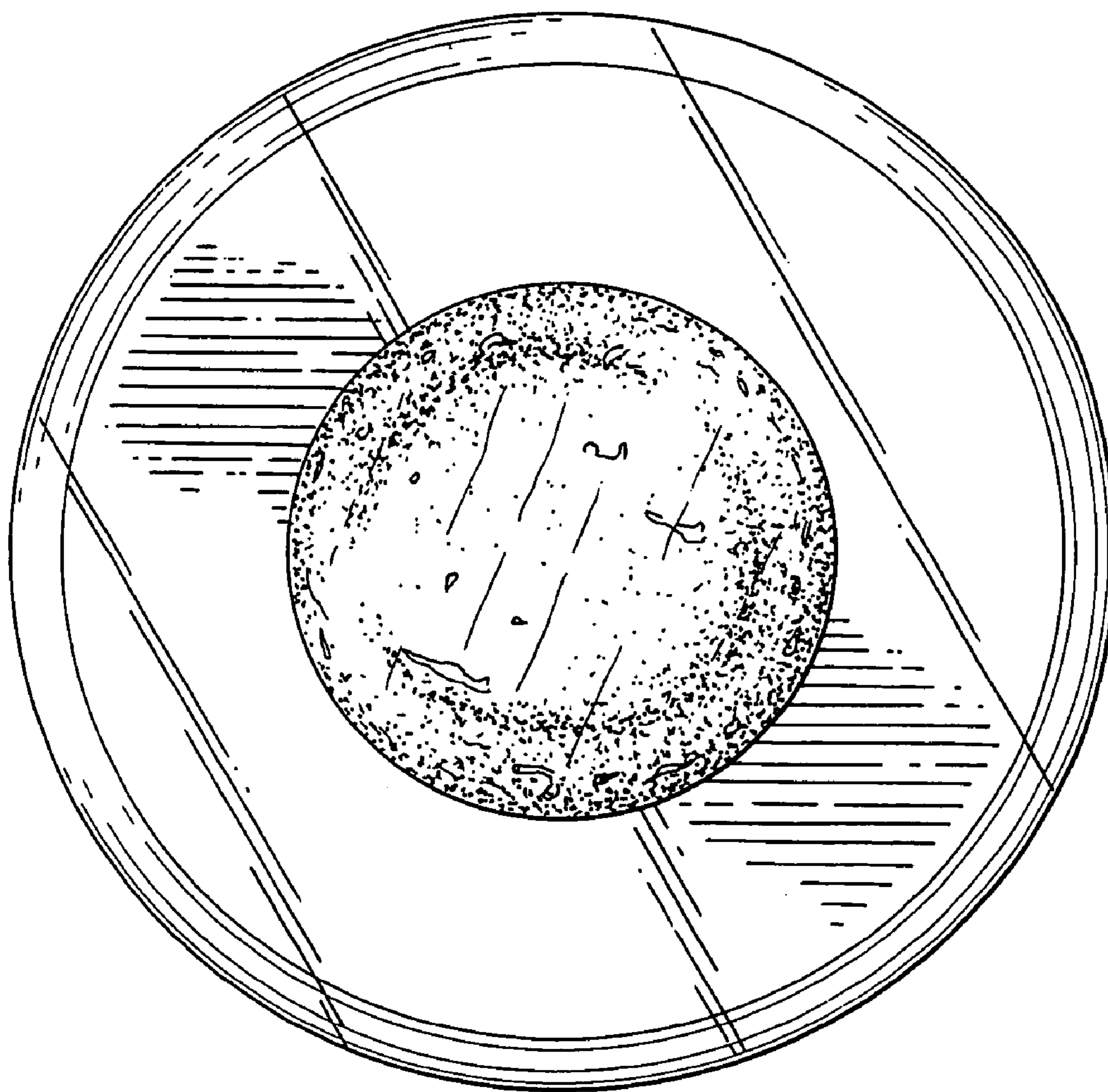


FIG. 2

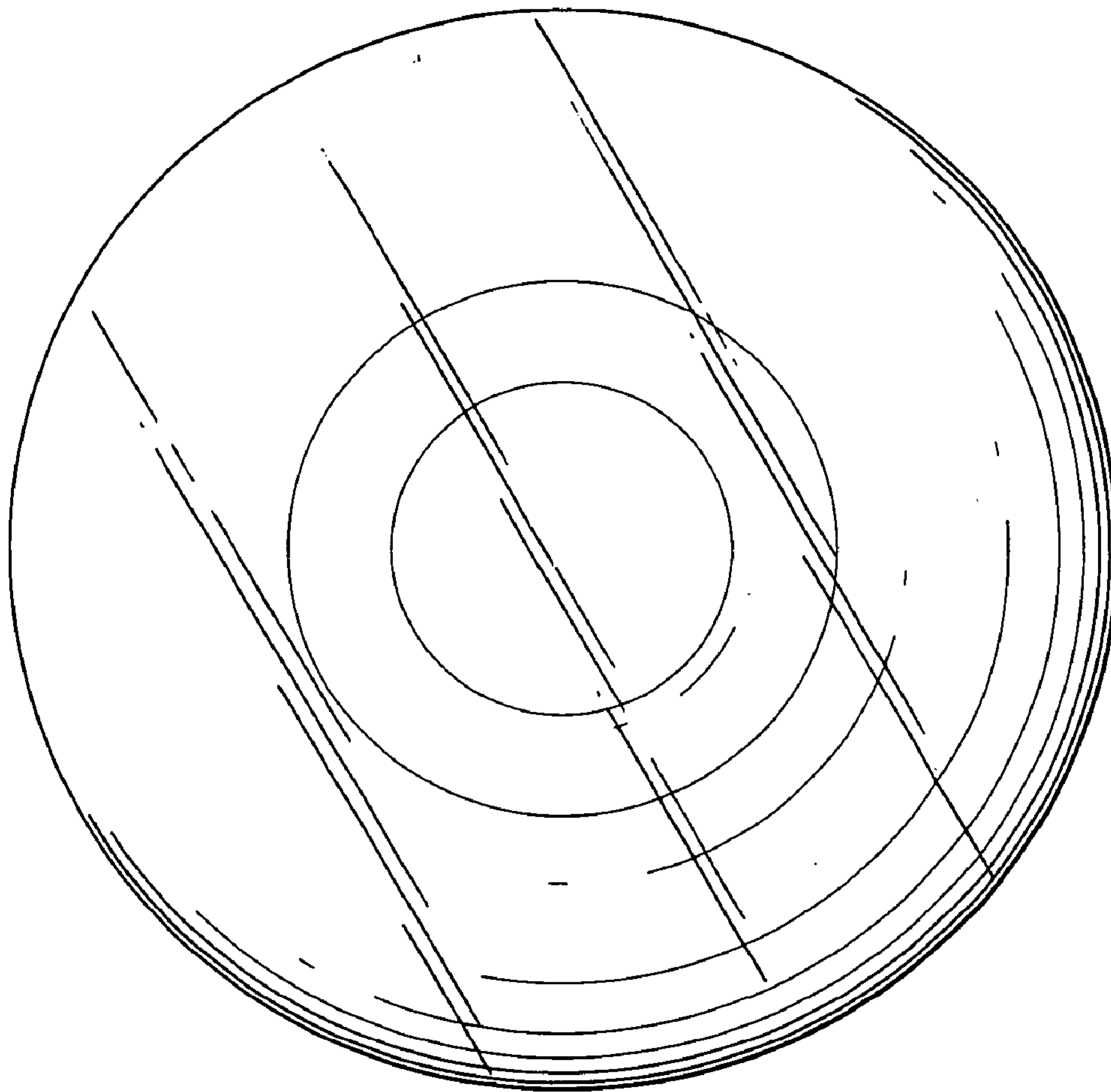


FIG. 3

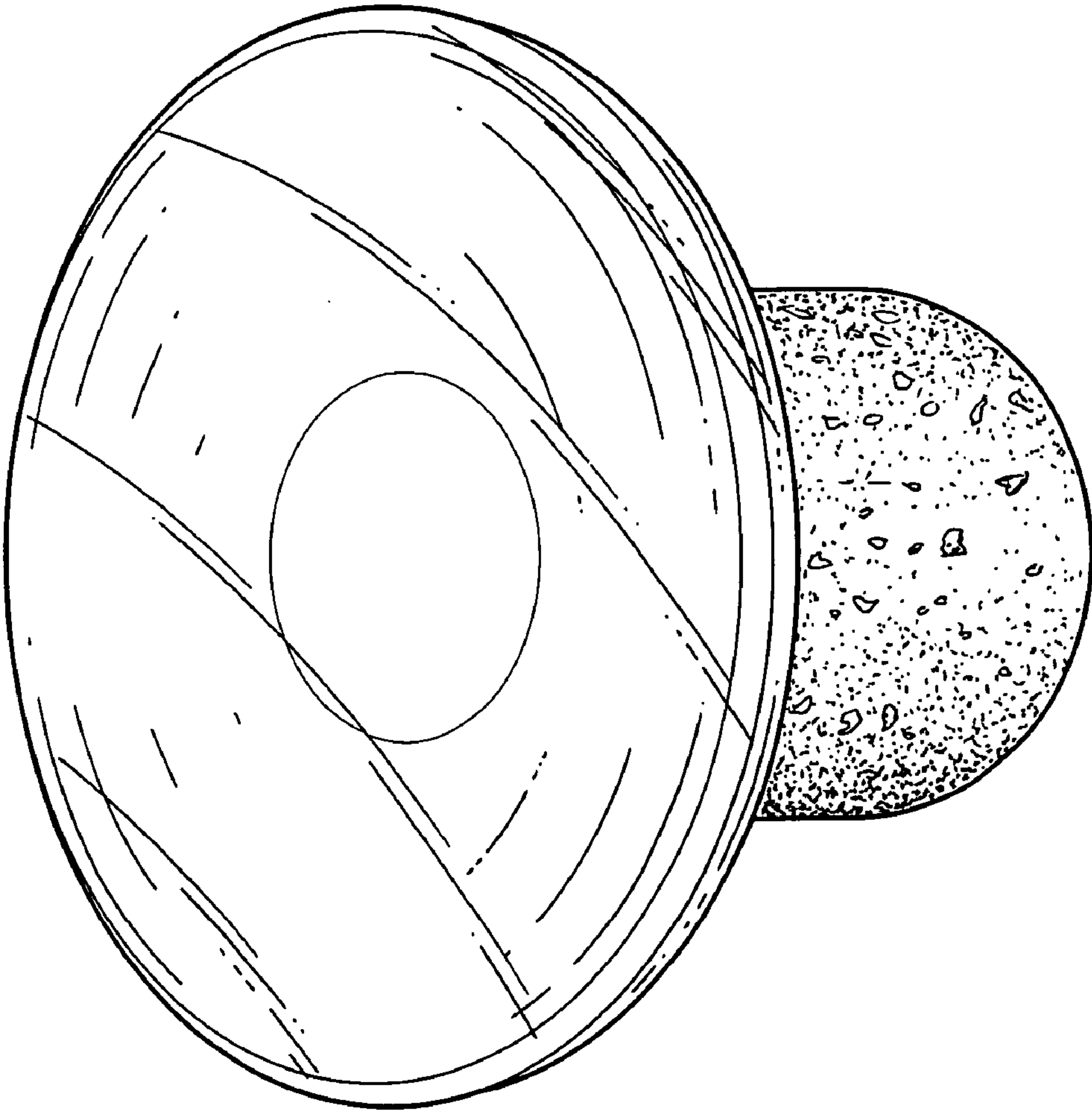


FIG.4